

[54] STEERING WHEEL

[75] Inventor: Marco Cattaneo, Pavia, Italy

[73] Assignee: Momo S.p.A., Milan, Italy

[**] Term: 14 Years

[21] Appl. No.: 804,998

[22] Filed: Nov. 13, 1985

[30] Foreign Application Priority Data

May 17, 1985 [IT] Italy 21842[U]

[52] U.S. Cl. D12/176

[58] Field of Search D12/175, 176; 74/552

[56] References Cited

U.S. PATENT DOCUMENTS

D. 243,078 1/1977 Marker et al. D12/176

D. 286,526 11/1986 Wardle et al. D12/176

OTHER PUBLICATIONS

1983 Pontiac Brochure, p. 33, Steering Wheel, top center of page.

1974 J. C. Whitney Motorcycle Parts & Accessories Catalog No. 6, p. 35, Front Fork Boots, center right side of page.

Primary Examiner—James M. Gandy

Attorney, Agent, or Firm—Holman & Stern

[57] CLAIM

- The ornamental design for a steering wheel, as shown and described.

DESCRIPTION

FIG. 1 is a front elevational view of my new steering wheel.

FIG. 2 is an inverted rear elevational view thereof.

FIG. 3 is a side elevational view thereof, the opposite side being a mirror image of that shown;

FIG. 4 is a top plan view thereof; and,

FIG. 5 is a bottom plan view thereof.

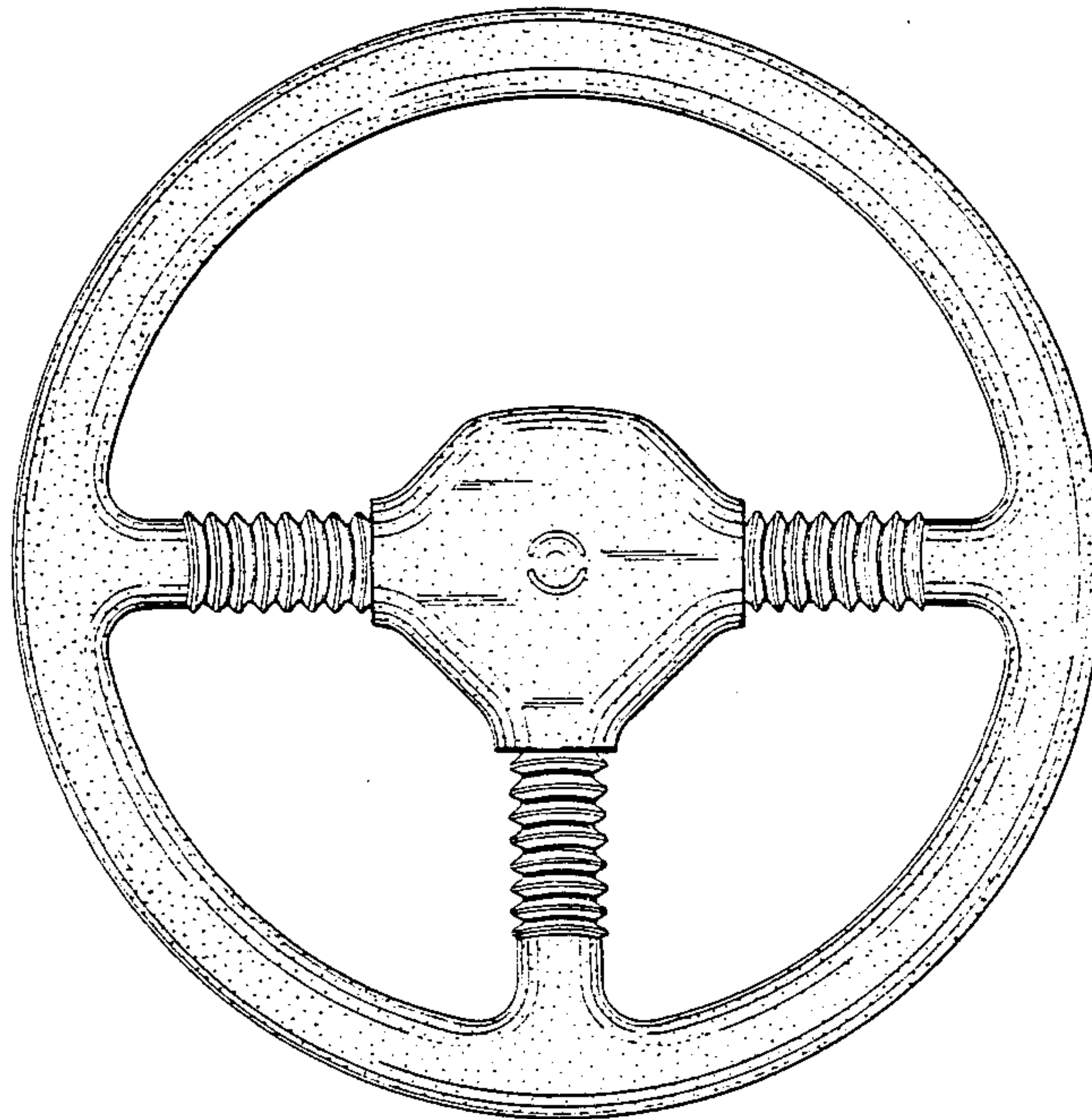


Fig. 1

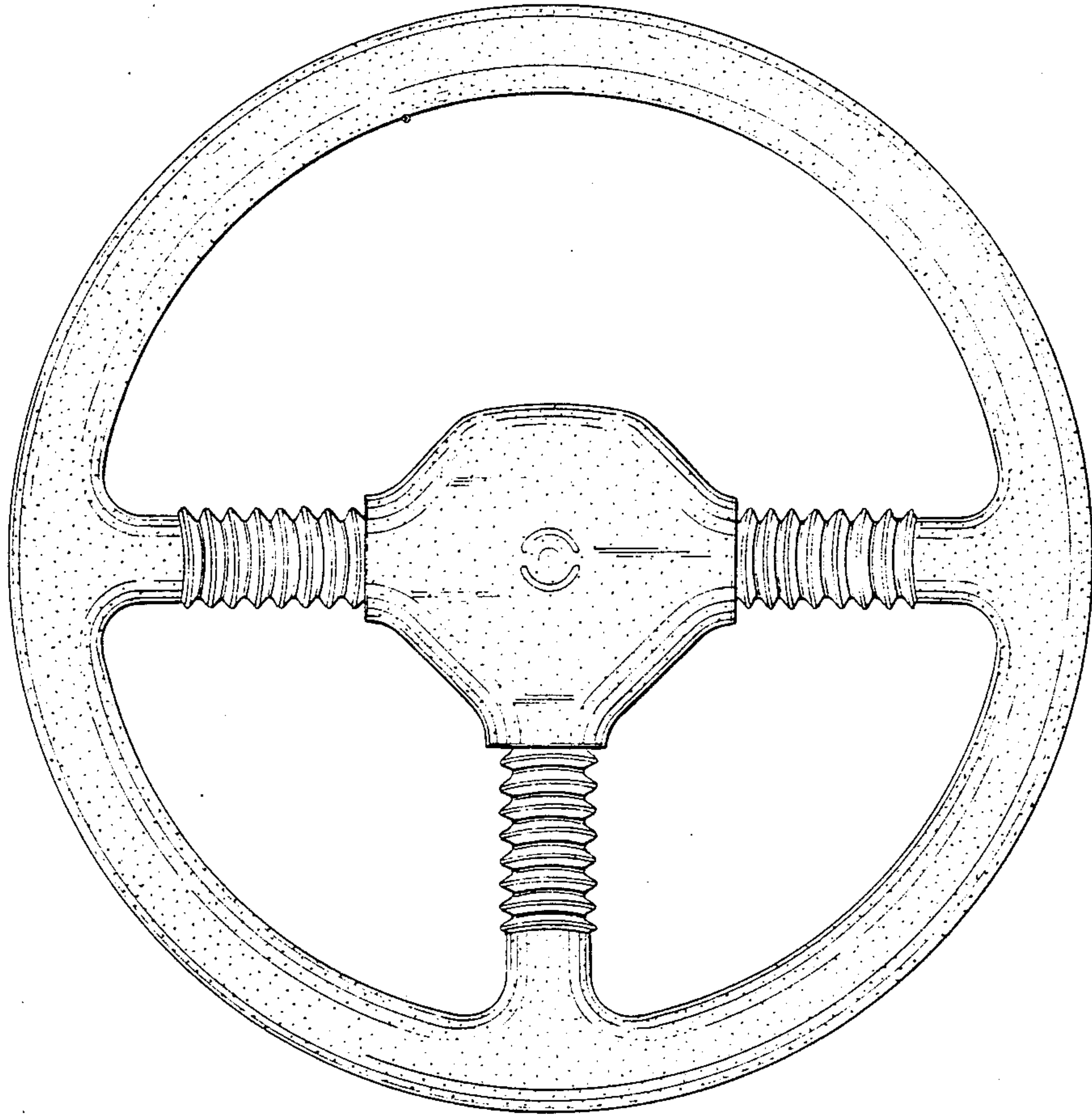


Fig. 2

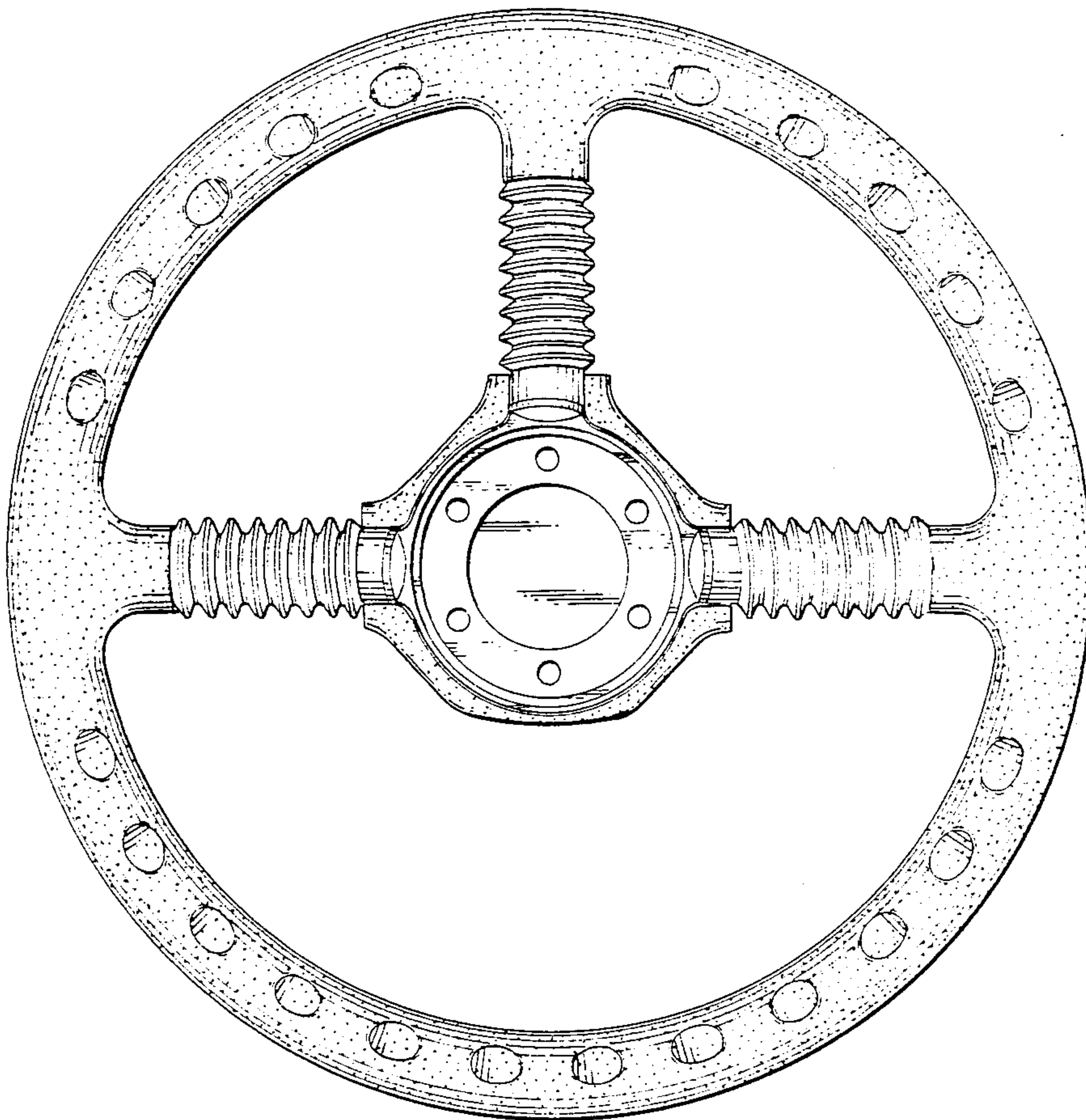


Fig. 4

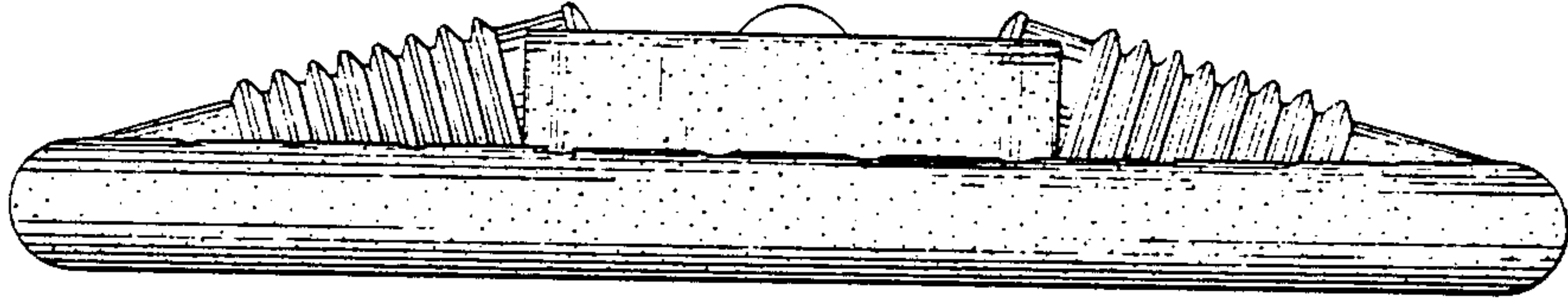


Fig. 3

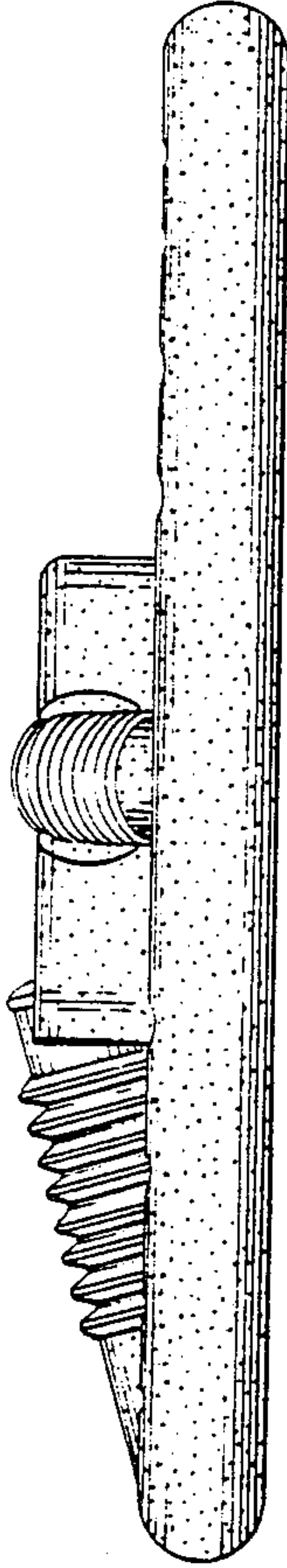


Fig. 5

