

[54] BABY STROLLER

[75] Inventor: Shinroku Nakao, Kanagawa, Japan

[73] Assignee: Combi Co., Ltd., Tokyo, Japan

[\*\*] Term: 14 Years

[21] Appl. No.: 711,774

[22] Filed: Mar. 14, 1985

[30] Foreign Application Priority Data

Sep. 28, 1984 [JP] Japan ..... 59-40314

[52] U.S. Cl. .... D12/129

[58] Field of Search ..... D12/129, 130; 280/642, 280/644, 647, 650, 658; 297/45, 39

[56] References Cited

U.S. PATENT DOCUMENTS

4,362,315 12/1982 Kassai ..... 280/644

4,660,850 4/1987 Nakao et al. .... 280/642

FOREIGN PATENT DOCUMENTS

2167119 5/1986 United Kingdom ..... 280/642

OTHER PUBLICATIONS

W. Bell & Co. 1984 catalogue (1983), p. 387, (A) Aprica (R) Newborn Stroller.

Best Product catalogue, 1984/1985, p. 384, (3) Stroi -A-Bye Stroller.

Primary Examiner—James M. Gandy

Assistant Examiner—Kay H. Chin

Attorney, Agent, or Firm—Sughrue, Mion, Zinn, Macpeak & Seas

[57] CLAIM

The ornamental design for a baby stroller, as shown and described.

DESCRIPTION

FIG. 1 is a front, top and right side perspective view of a baby stroller showing my new design;

FIG. 2 is a front perspective view thereof;

FIG. 3 is a right side perspective view thereof;

FIG. 4 is a rear perspective view thereof;

FIG. 5 is a left side perspective view thereof;

FIG. 6 is a top perspective view thereof;

FIG. 7 is a bottom perspective view thereof; and

FIG. 8 is a front, top and right side perspective view thereof in folded condition.

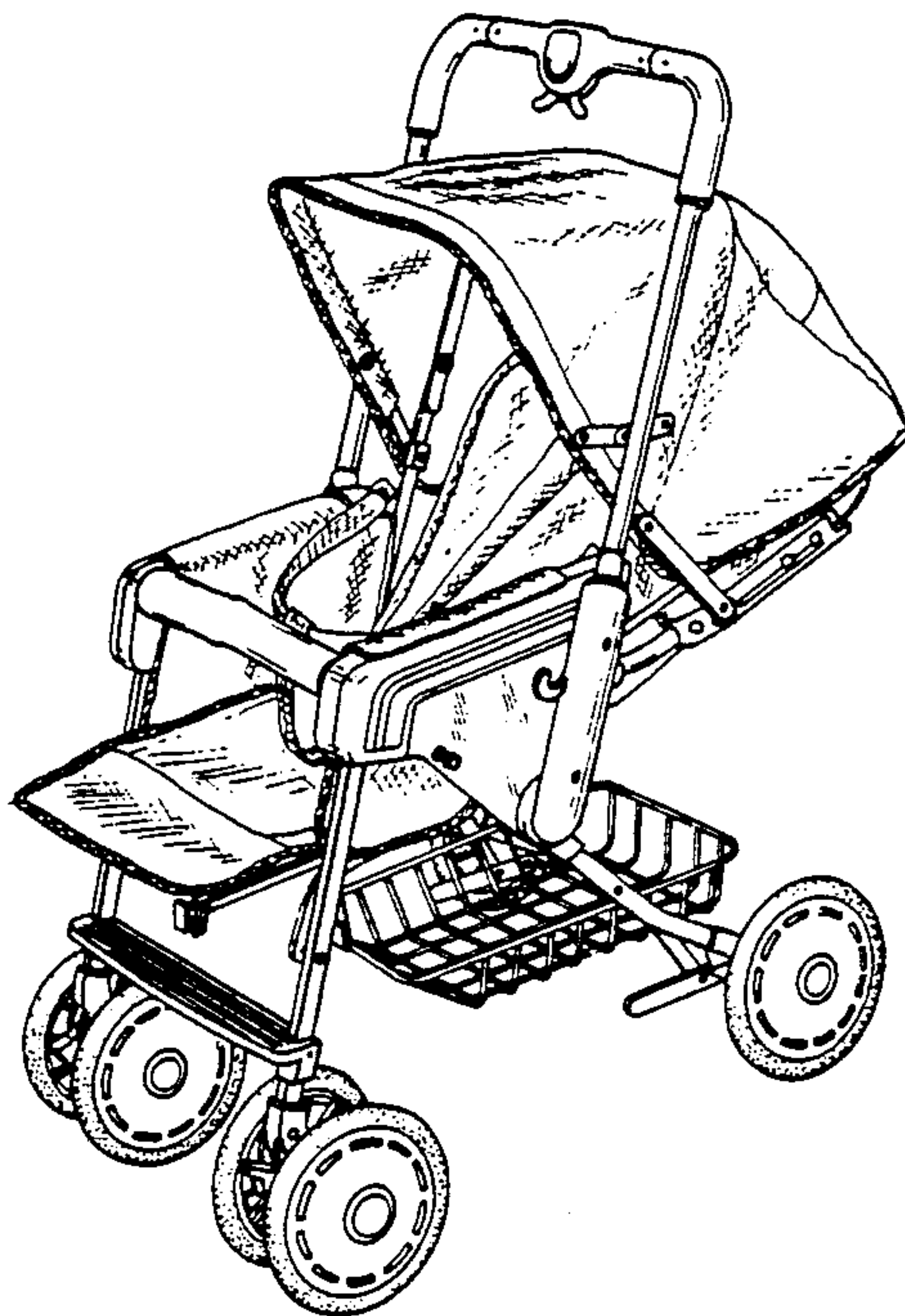


FIG. 2

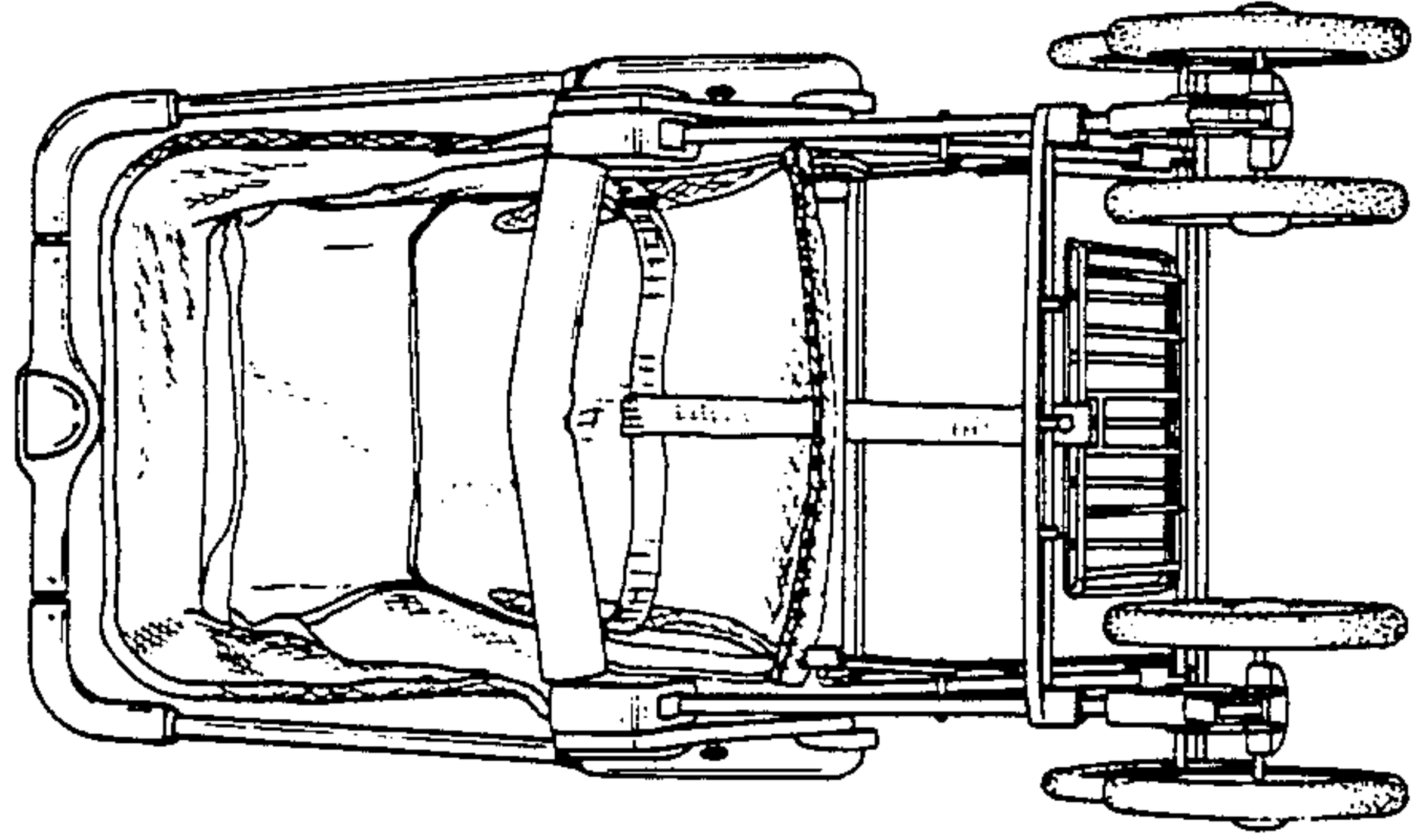


FIG. 1

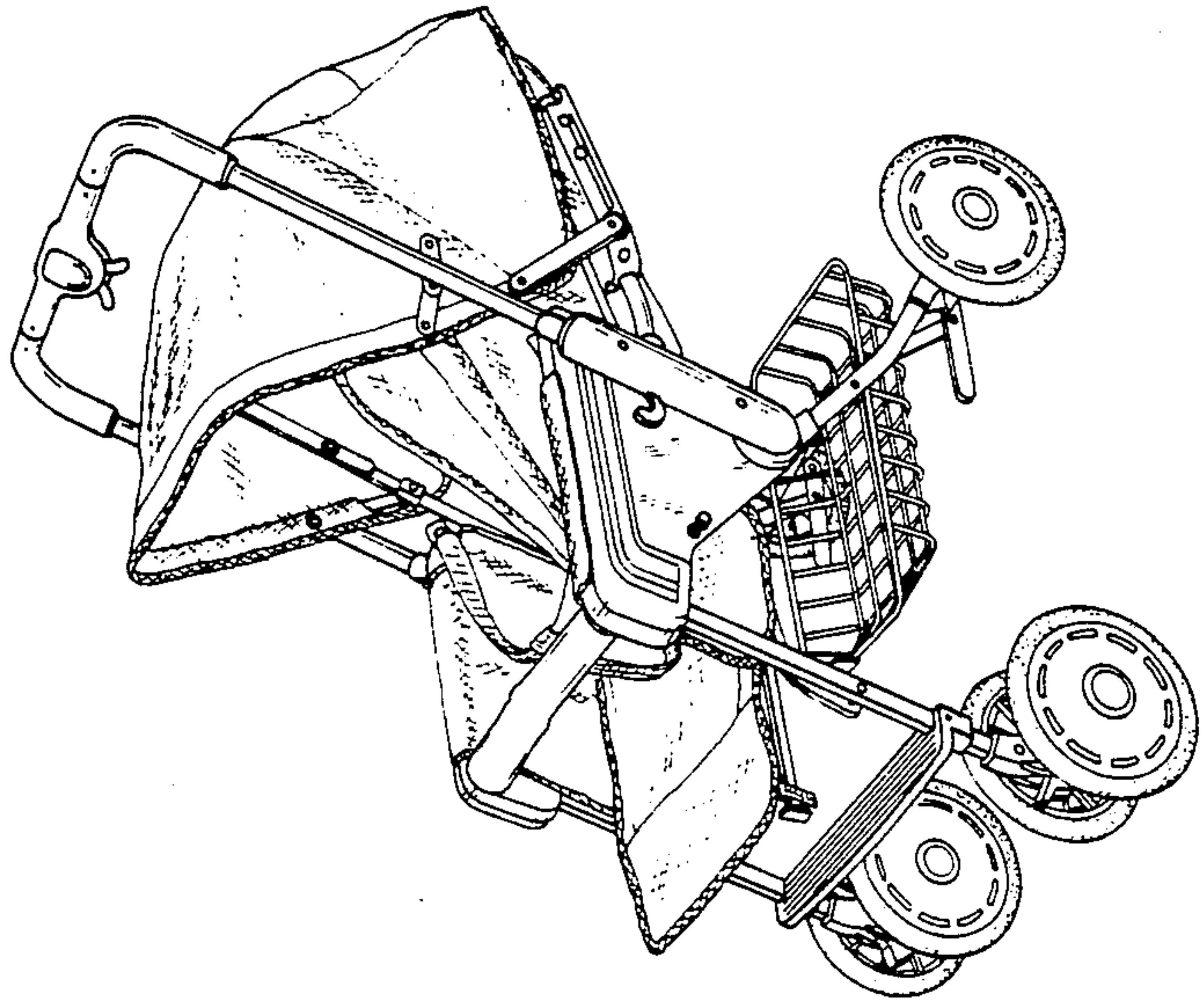


FIG. 4

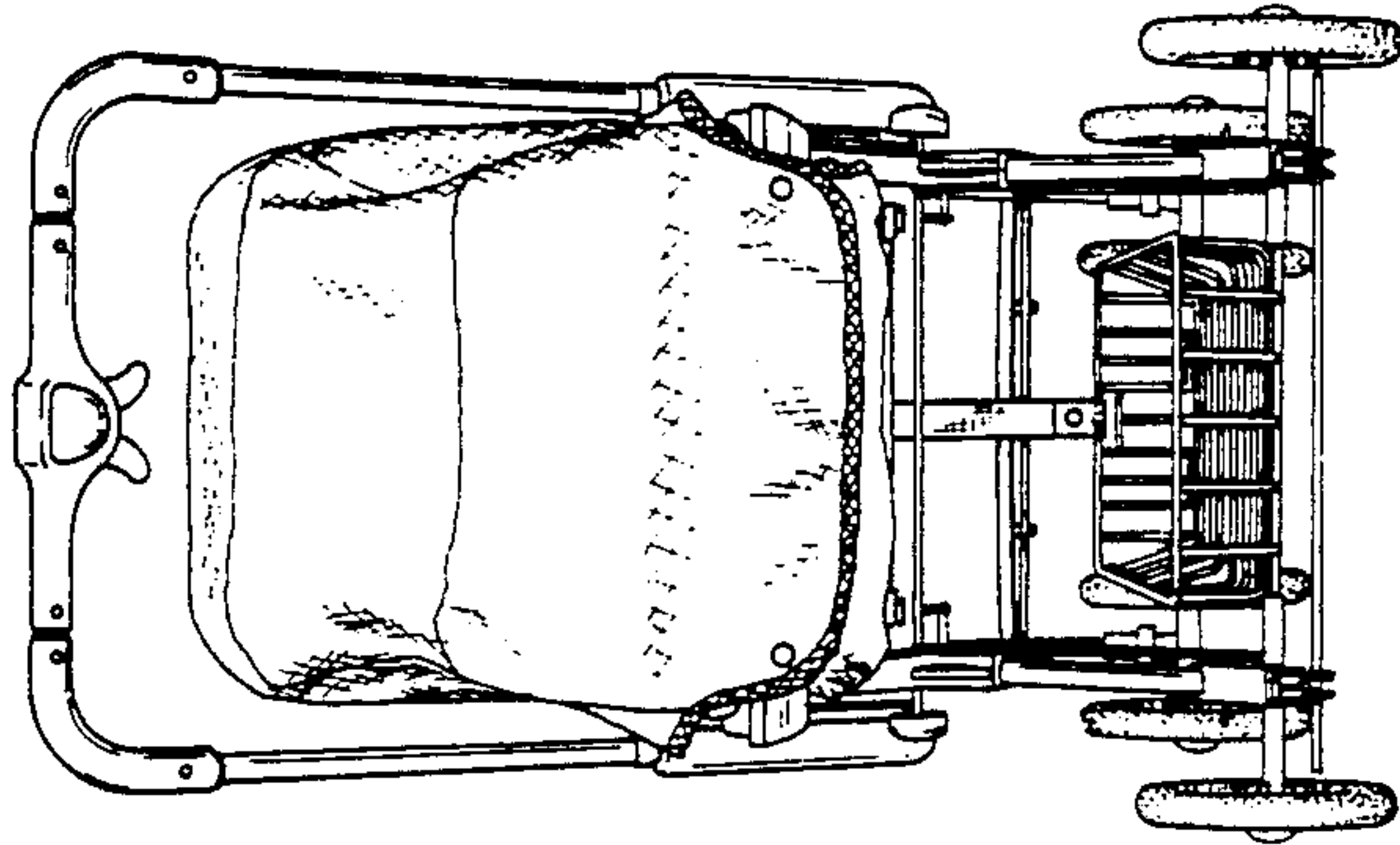


FIG. 3

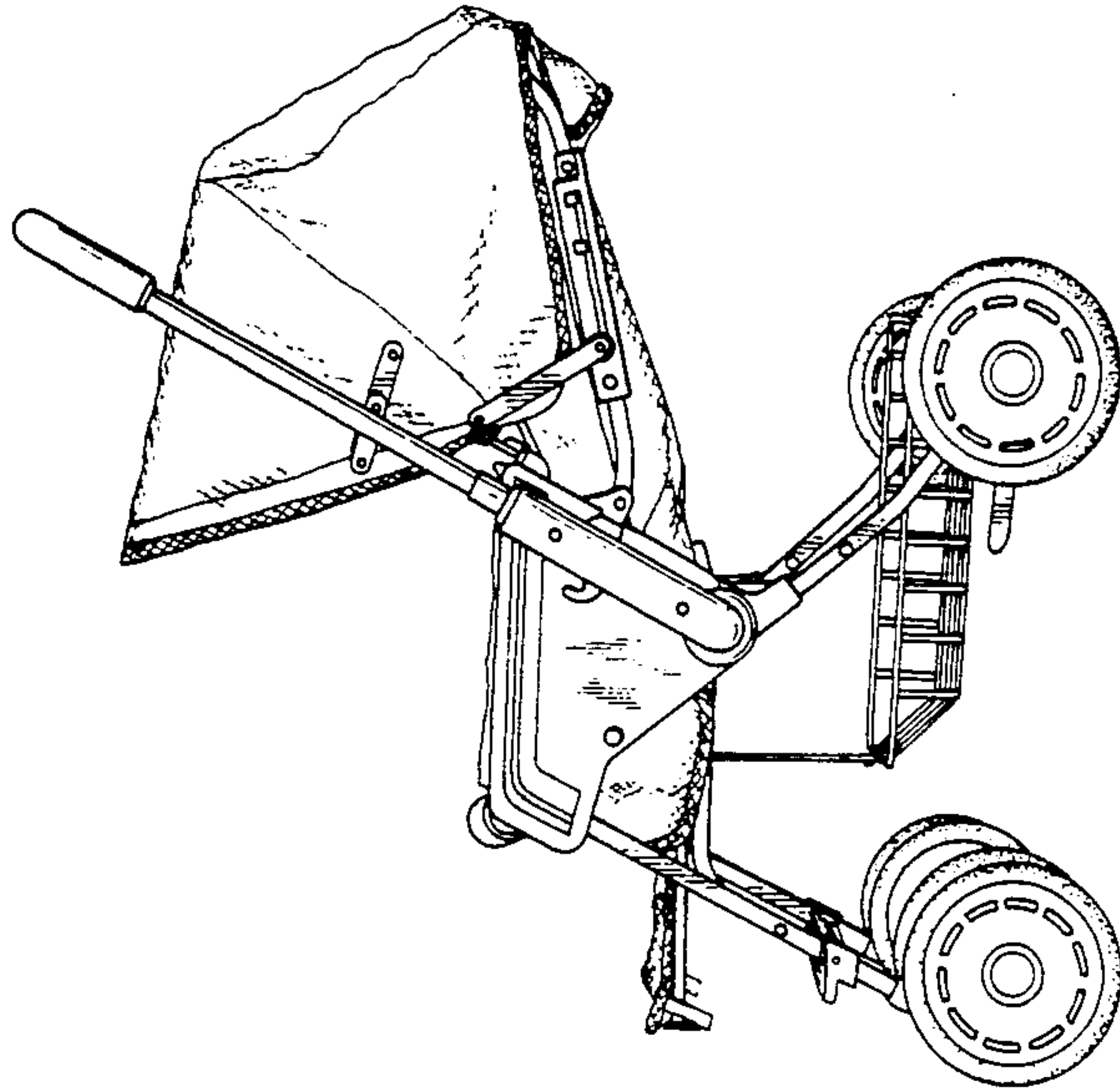


FIG. 6

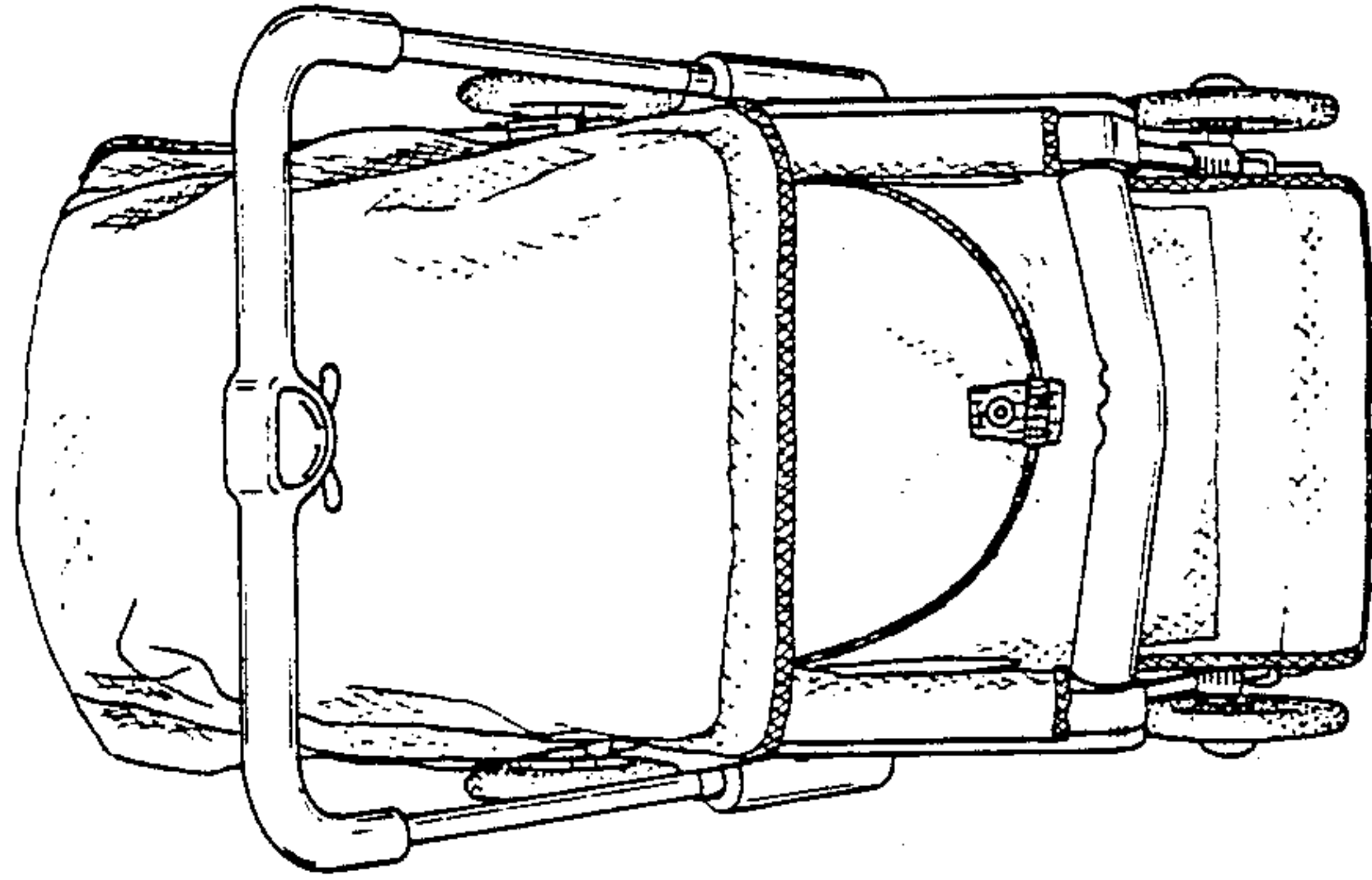


FIG. 5

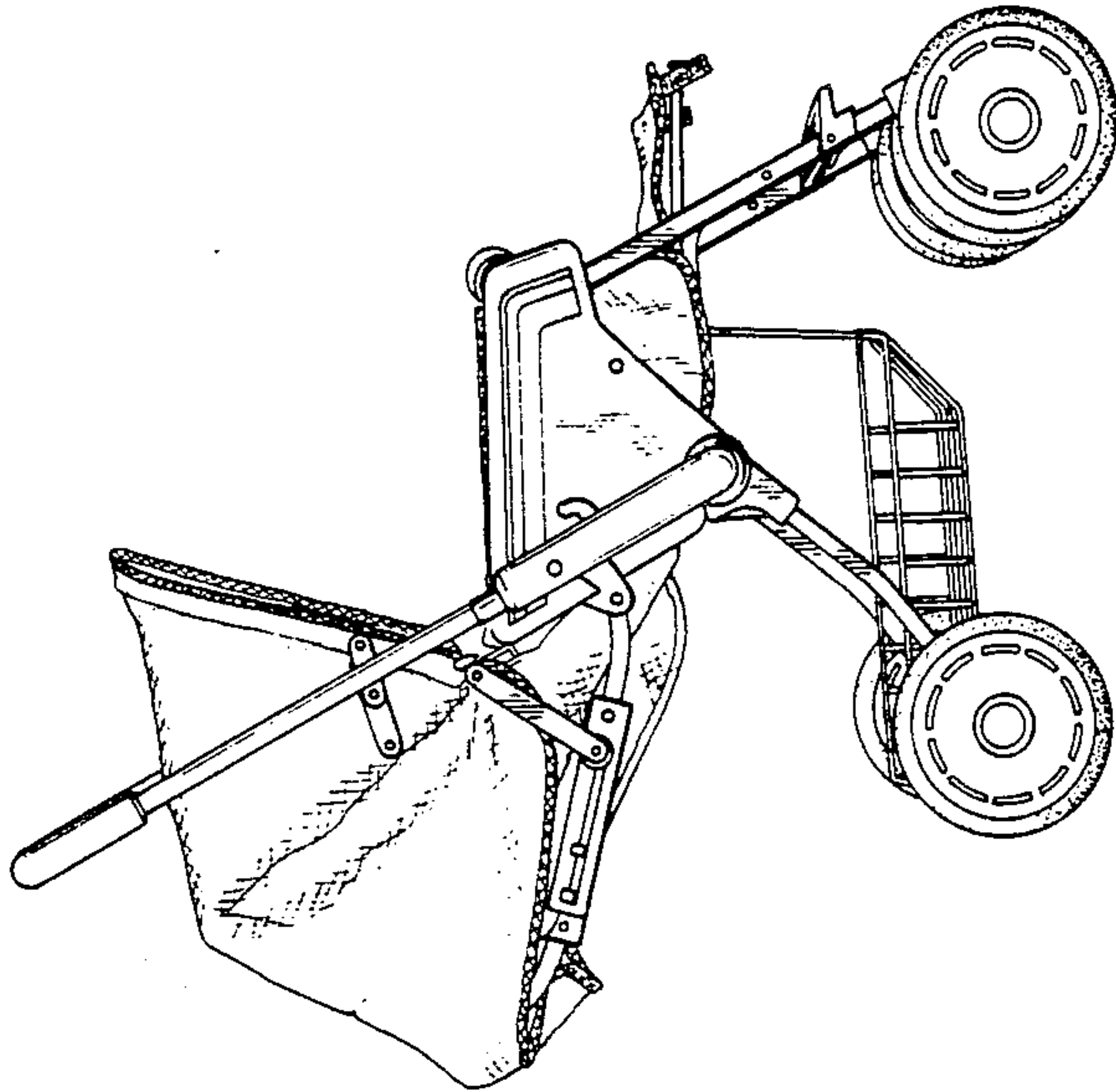




FIG. 8

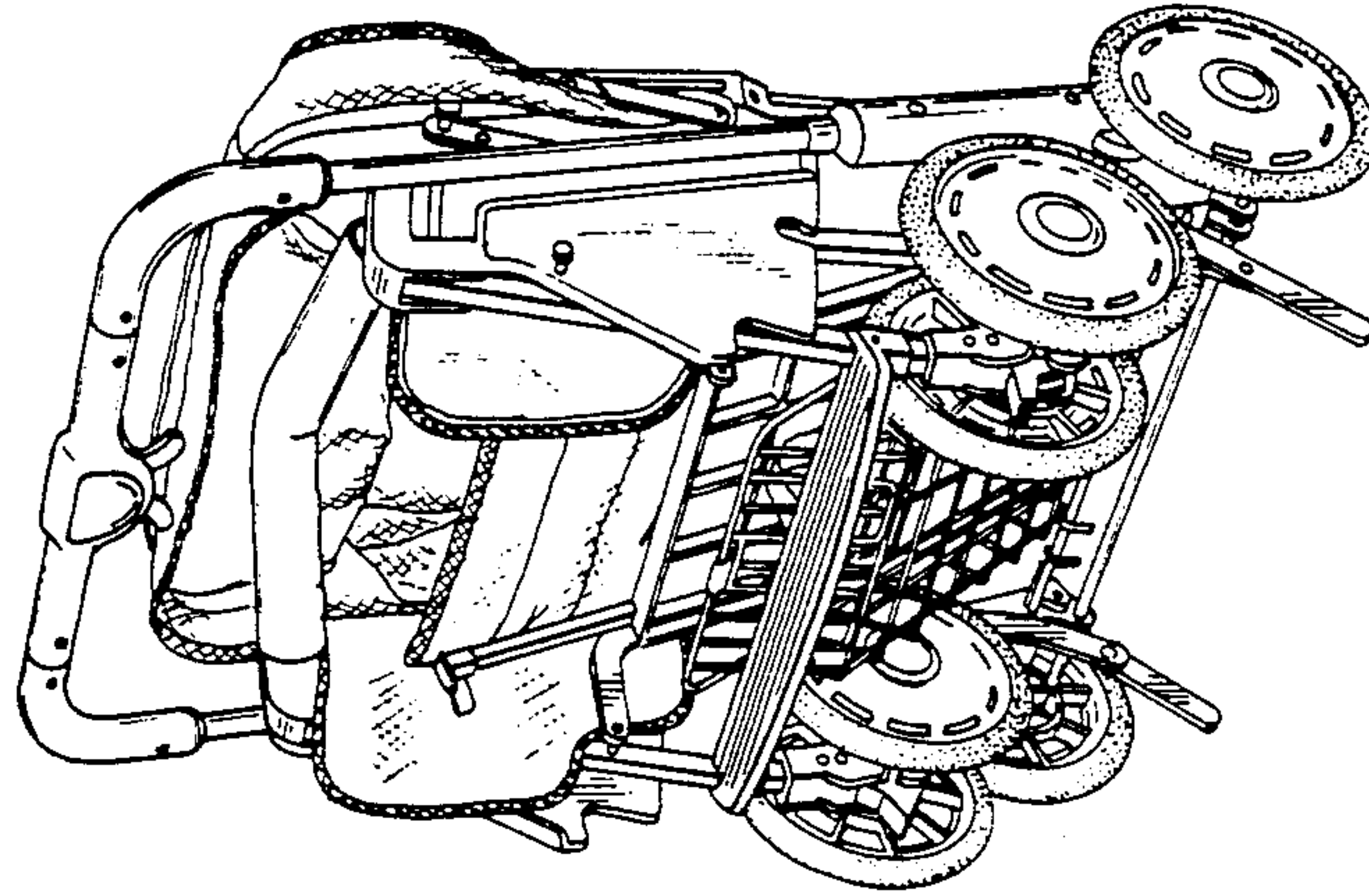


FIG. 7

