

[54] BABY STROLLER

[75] Inventors: Shinroku Nakao, Kanagawa; Yoshiyasu Ishii; Hiroaki Matsuda, both of Tokyo, all of Japan

[73] Assignee: Combi Co., Ltd., Tokyo, Japan

[\*\*] Term: 14 Years

[21] Appl. No.: 711,793

[22] Filed: Mar. 14, 1985

[30] Foreign Application Priority Data

Sep. 28, 1984 [JP] Japan ..... 59-40312

[52] U.S. Cl. .... D12/129

[58] Field of Search ..... D12/129, 130; 280/642, 280/644, 647, 650, 658; 297/45, 39

[56] References Cited

U.S. PATENT DOCUMENTS

- D. 254,906 5/1980 Nakao et al. .... D12/129
- D. 254,969 5/1980 Nakao et al. .... D12/129
- D. 288,544 3/1987 Nakao et al. .... D12/129

OTHER PUBLICATIONS

W. Bell & Co. 1984 catalogue (1983), p. 387, (A) Aprica Newborn Stroller.

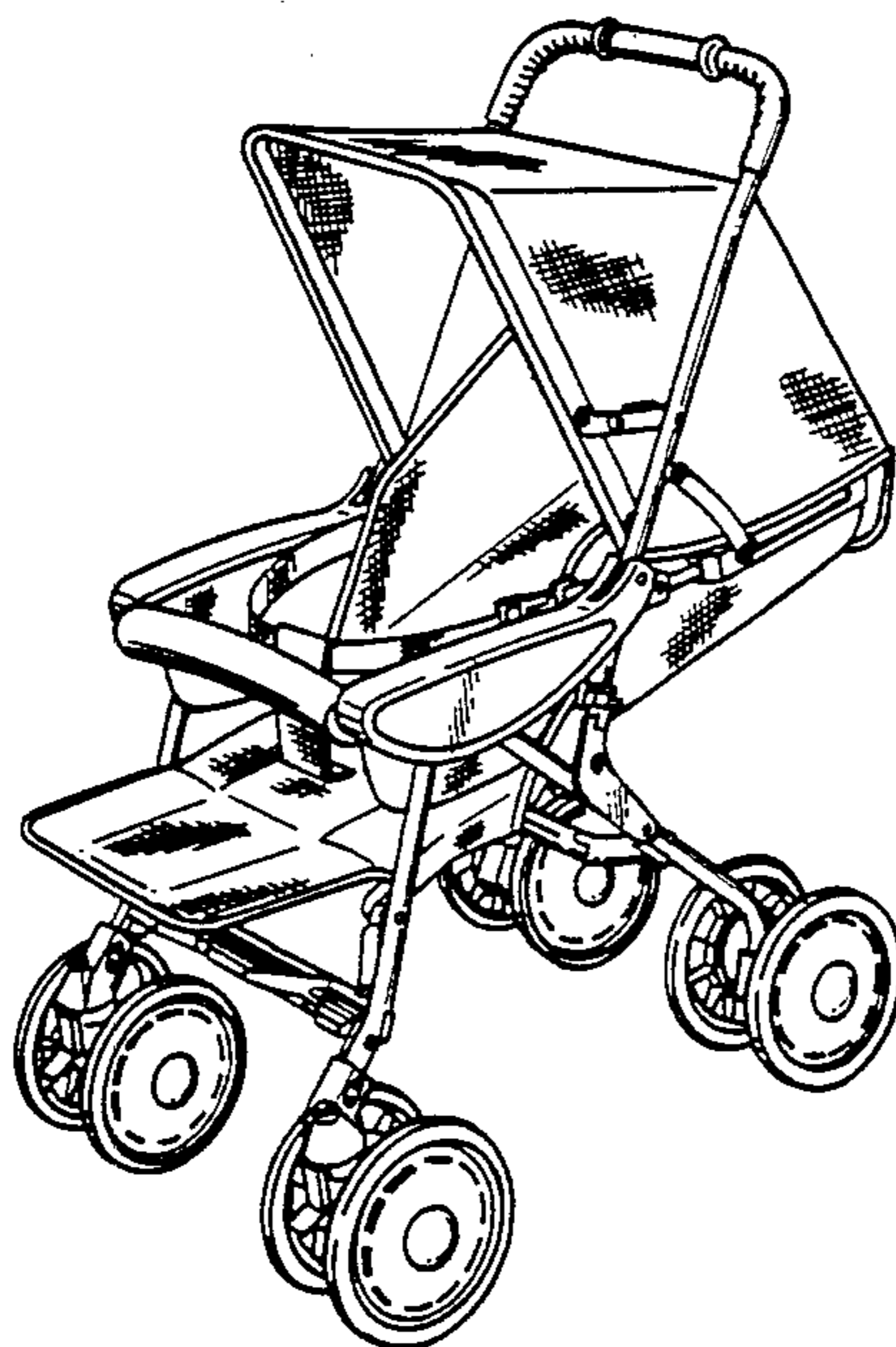
Primary Examiner—James M. Gandy  
Assistant Examiner—Kay H. Chin  
Attorney, Agent, or Firm—Sughrue, Mion, Zinn, Macpeak & Seas

[57] CLAIM

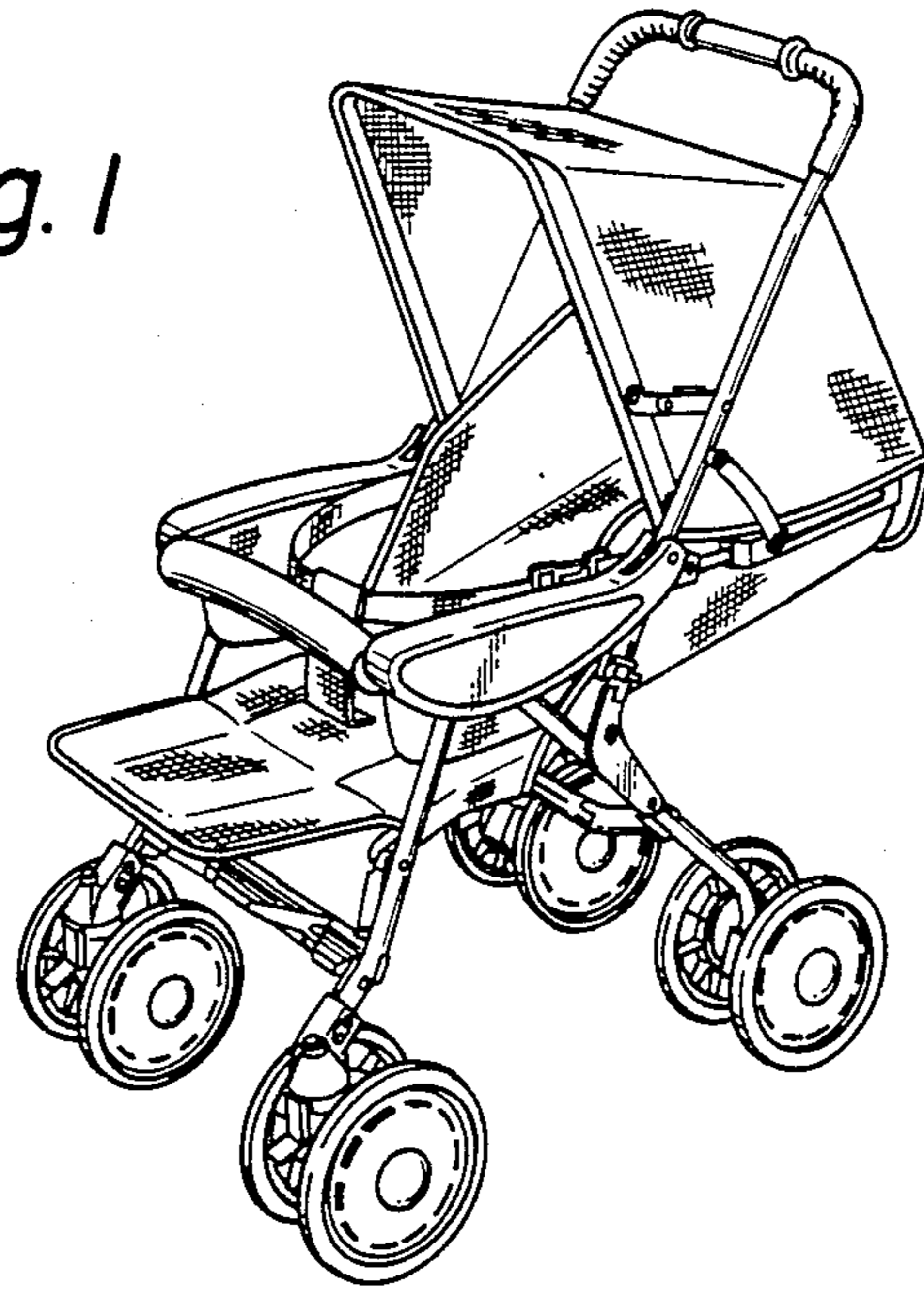
The ornamental design for a baby stroller, as shown and described.

DESCRIPTION

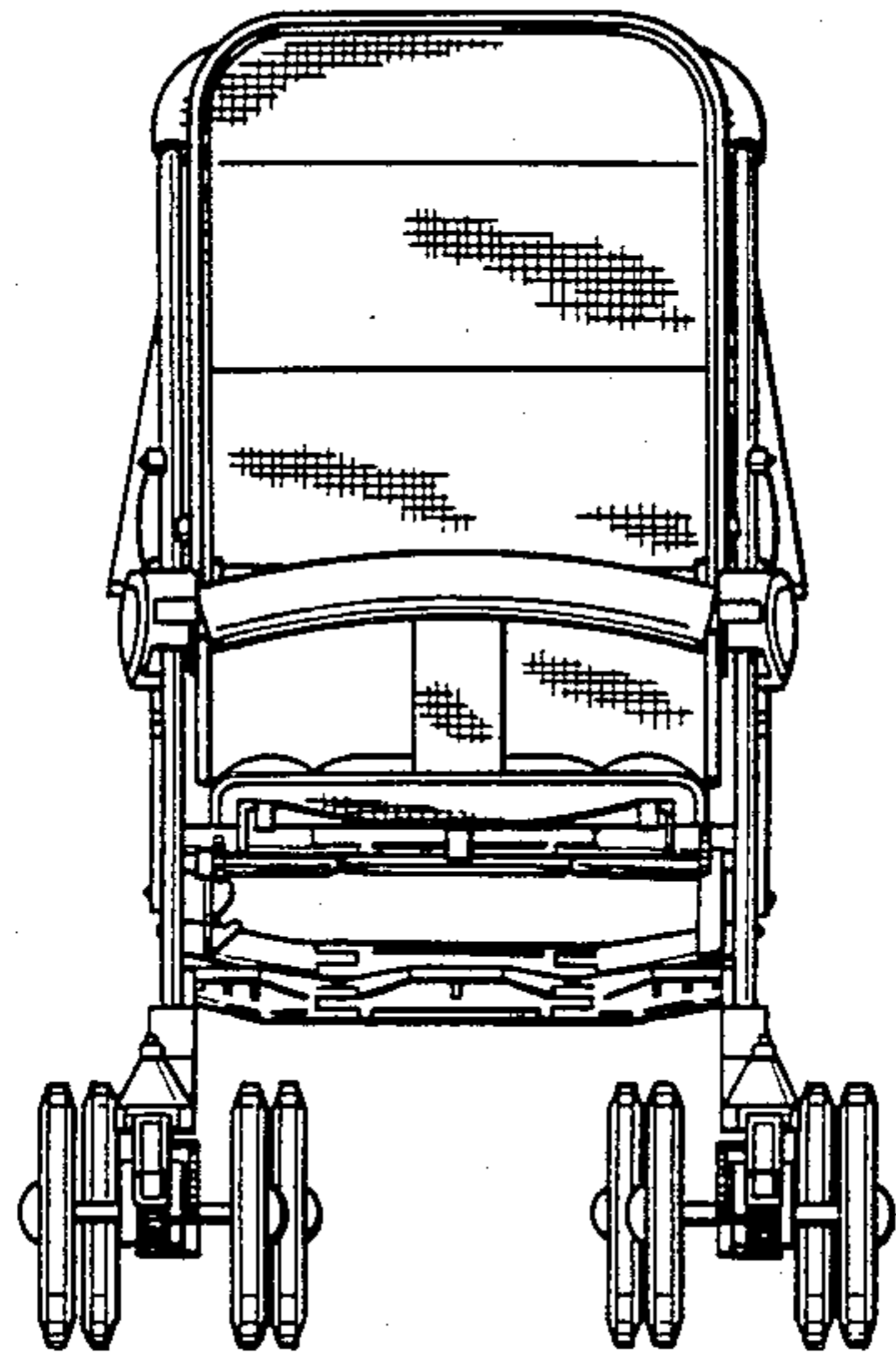
FIG. 1 is a front, top and right side perspective view of a baby stroller showing our new design; FIG. 2 is a front elevational view thereof; FIG. 3 is a rear elevational view thereof; FIG. 4 is a top plan view thereof; FIG. 5 is a bottom plan view thereof; FIG. 6 is a left side elevational view thereof; FIG. 7 is a right side elevational view thereof; and FIG. 8 is a perspective view thereof in folded condition.



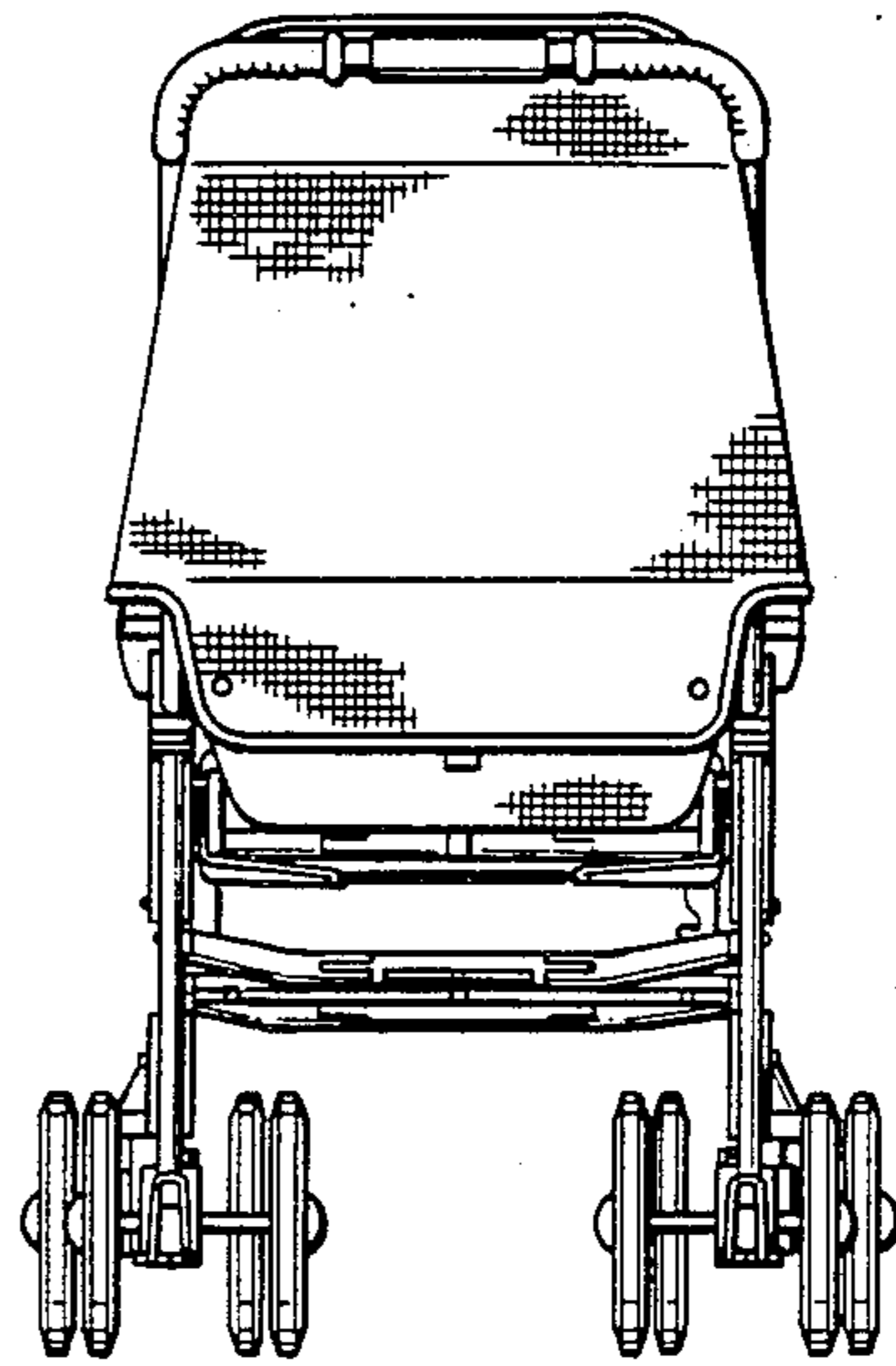
*Fig. 1*



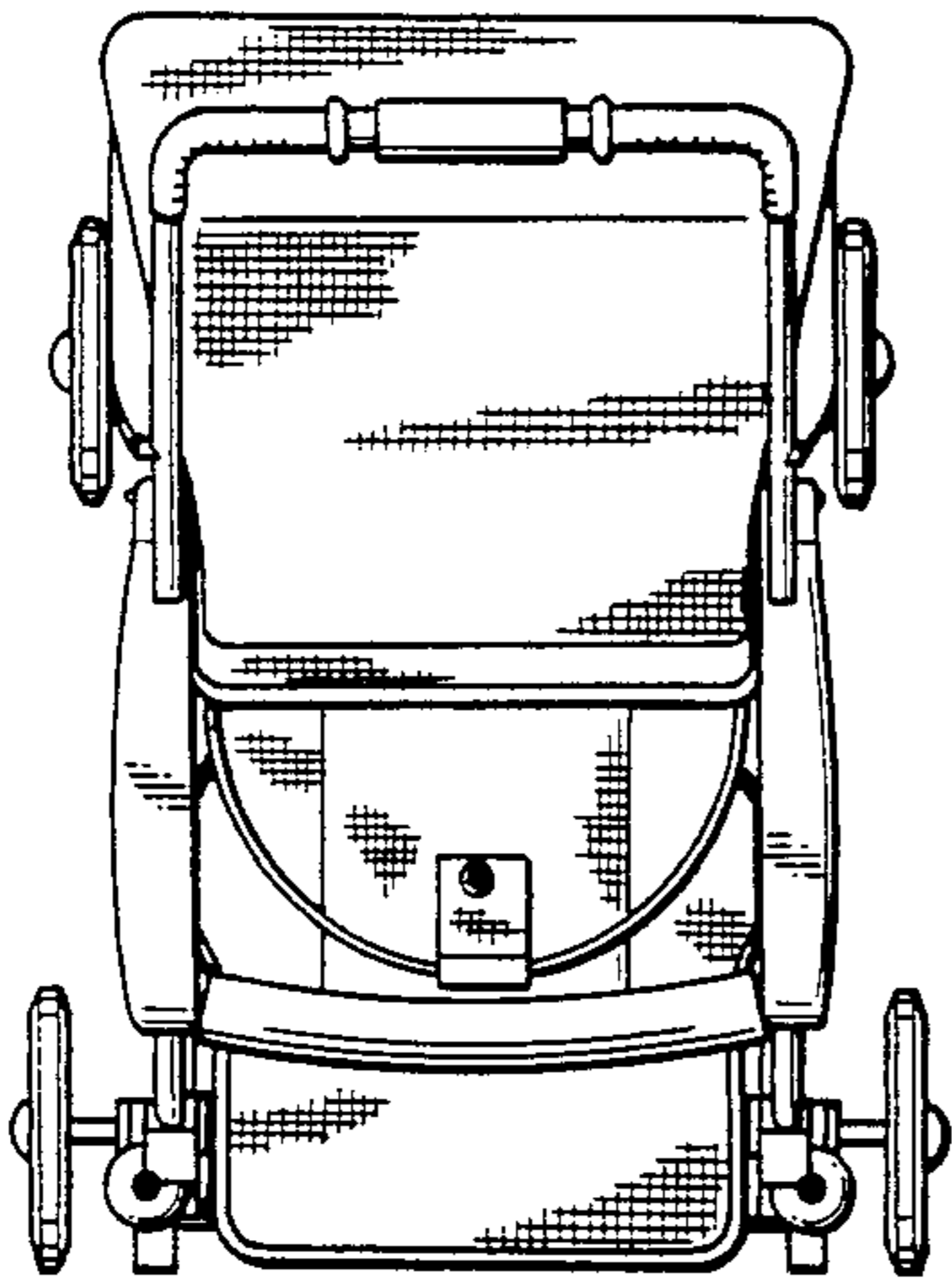
*Fig. 2*



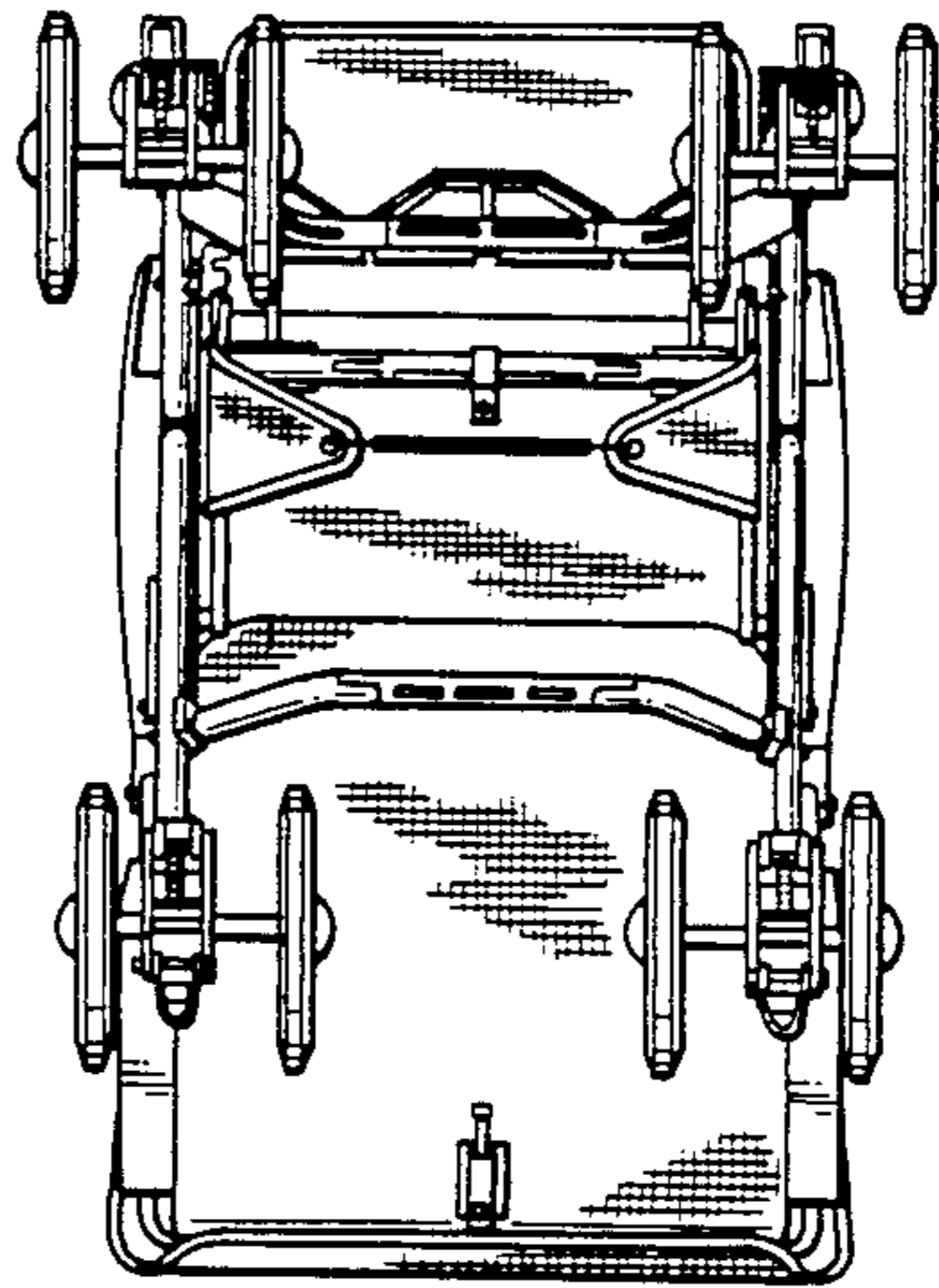
*Fig. 3*



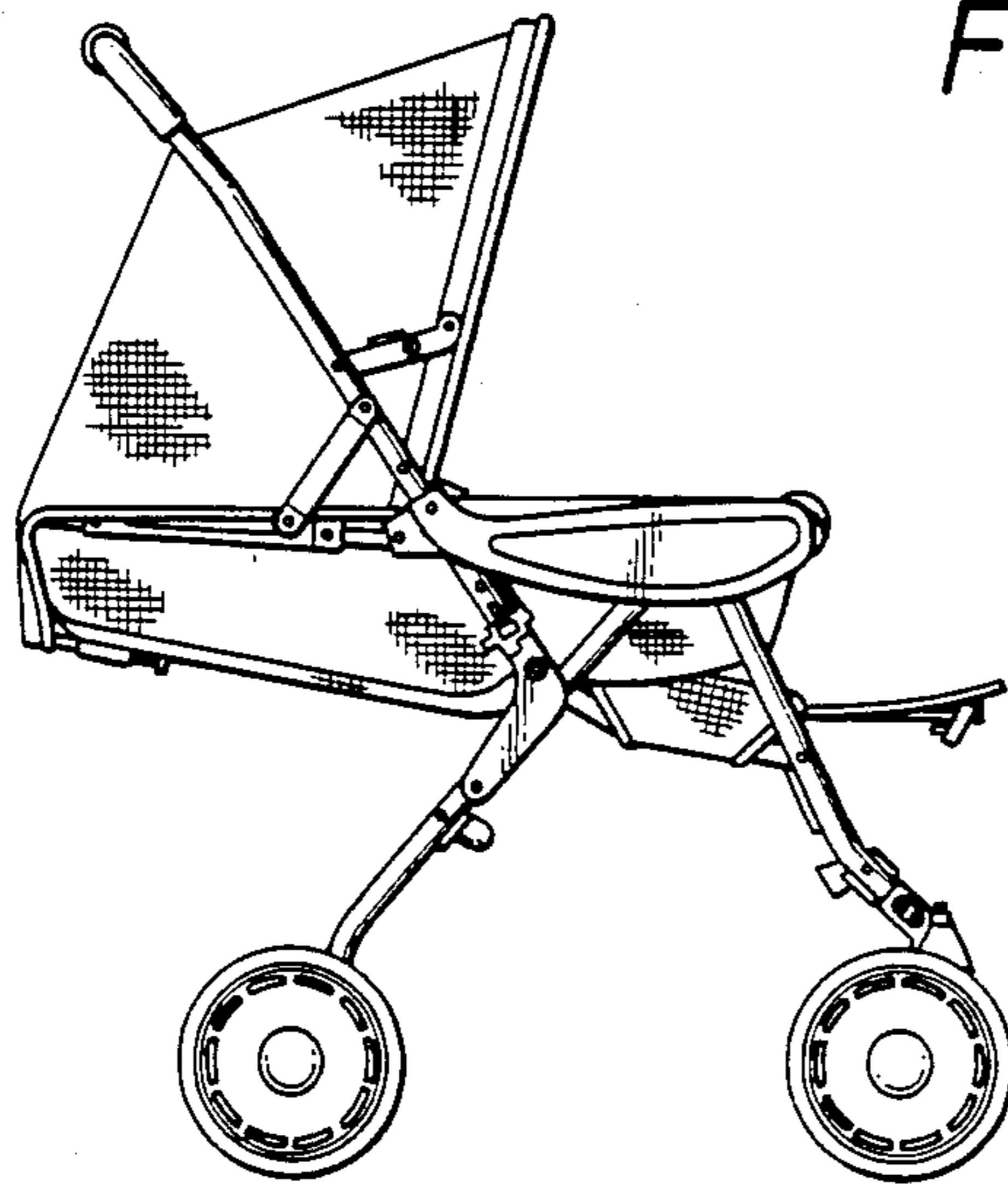
*Fig. 4*



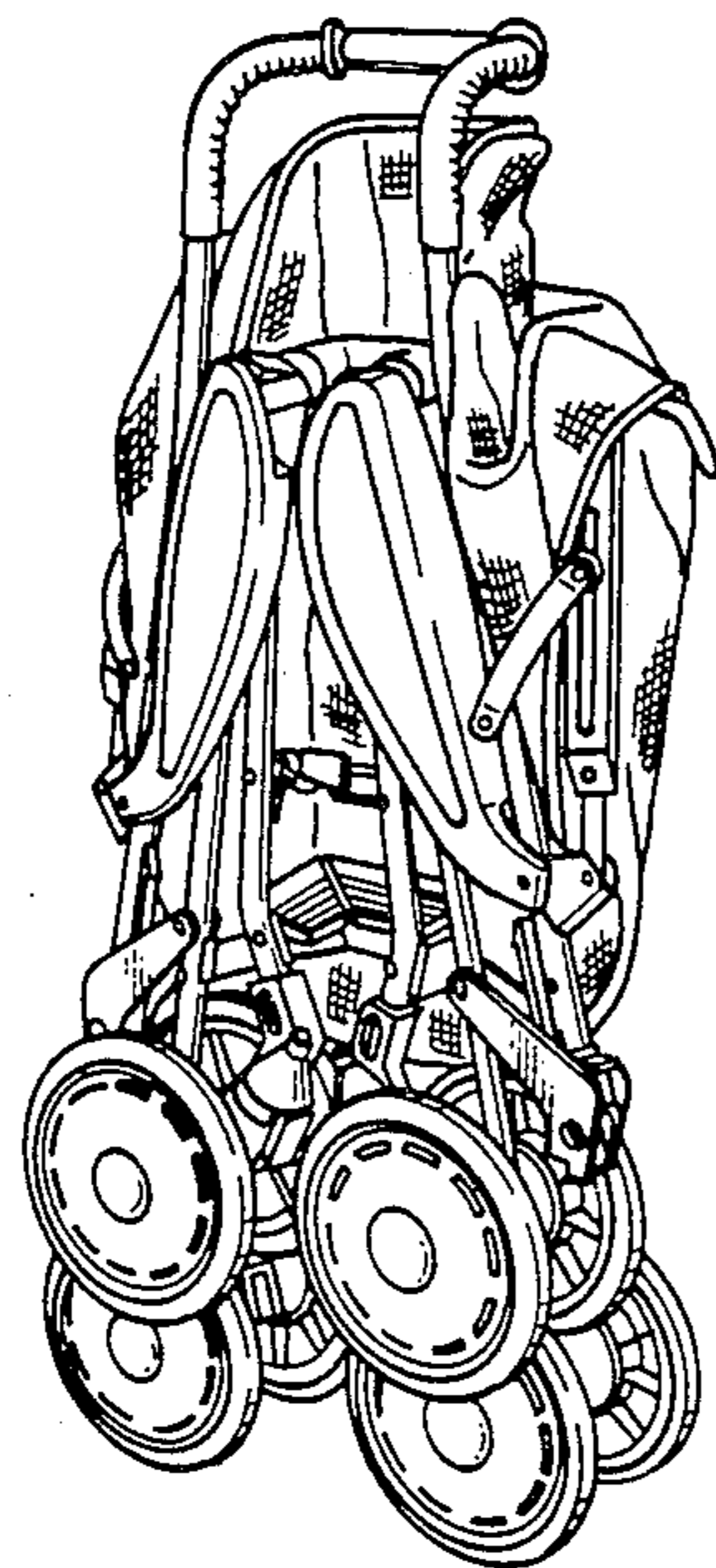
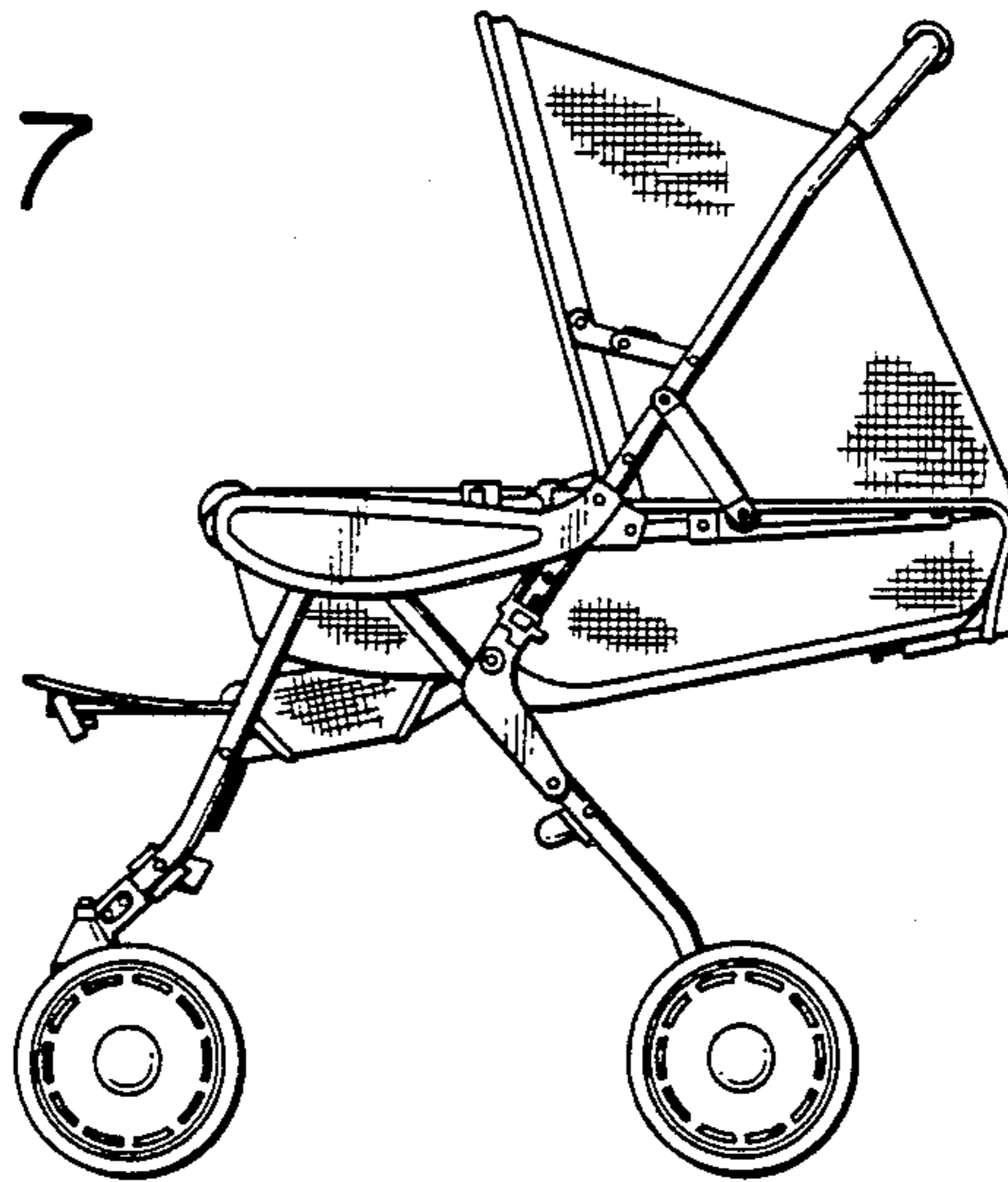
*Fig. 5*



*Fig. 6*



*Fig. 7*



*Fig. 8*