

United States Patent [19]

Foehner

[11] Patent Number: Des. 293,660

[45] Date of Patent: ** Jan. 12, 1988

[54] BICYCLE

[76] Inventor: David L. Foehner, 9750 Mt. View Ave., San Bernardino, Calif. 92408

[**] Term: 14 Years

[21] Appl. No.: 769,485

[22] Filed: Aug. 26, 1985

[52] U.S. Cl. D12/111

[58] Field of Search D12/111; 200/261, 281 R, 200/281 LP, 281 W

[56] References Cited

U.S. PATENT DOCUMENTS

D. 236,803 9/1975 Ennis D12/111

FOREIGN PATENT DOCUMENTS

103479 3/1938 Australia 280/281 LP

Primary Examiner—James M. Gandy

[57] CLAIM

The ornamental design for a bicycle, as shown

DESCRIPTION

FIG. 1 is a side elevation view of a bicycle showing my new design,

FIG. 2 is a top plan view,

FIG. 3 is a front elevation view, and

FIG. 4 is a rear elevation view.

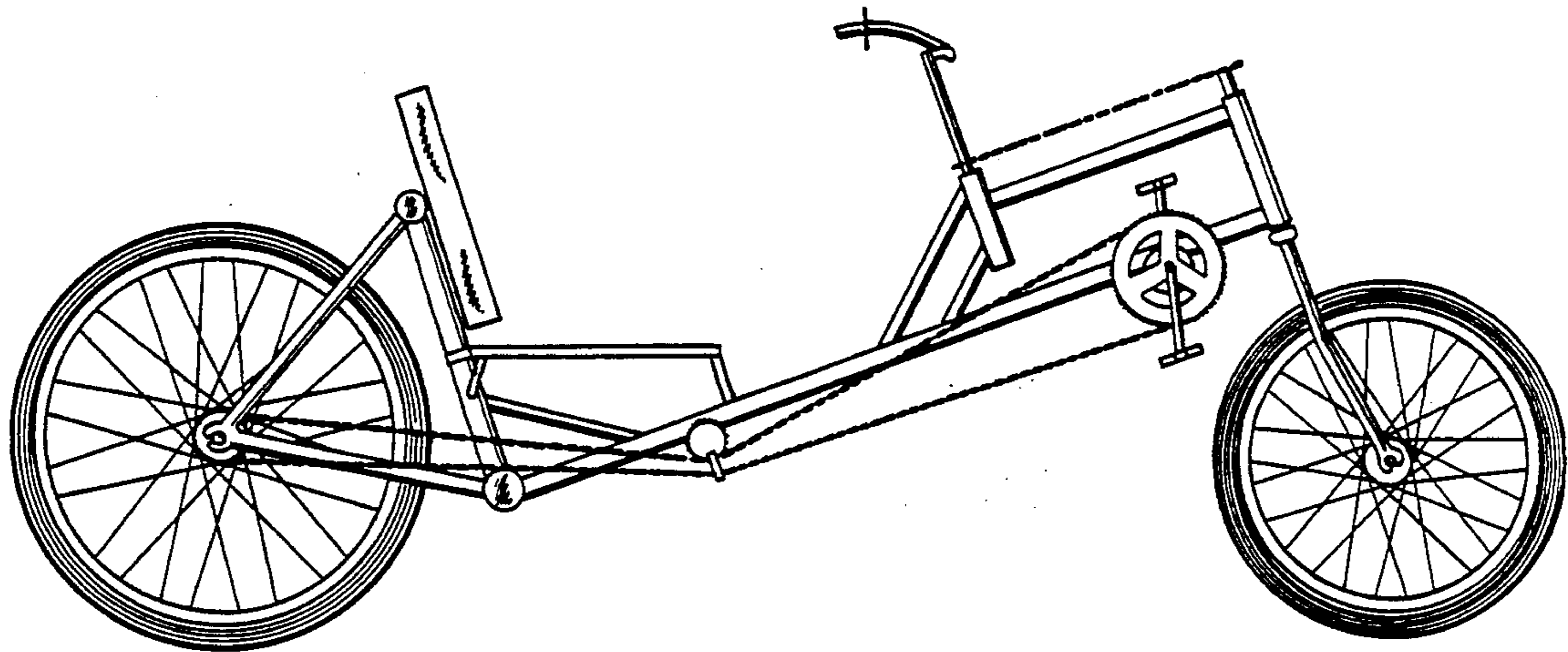


FIG. 1

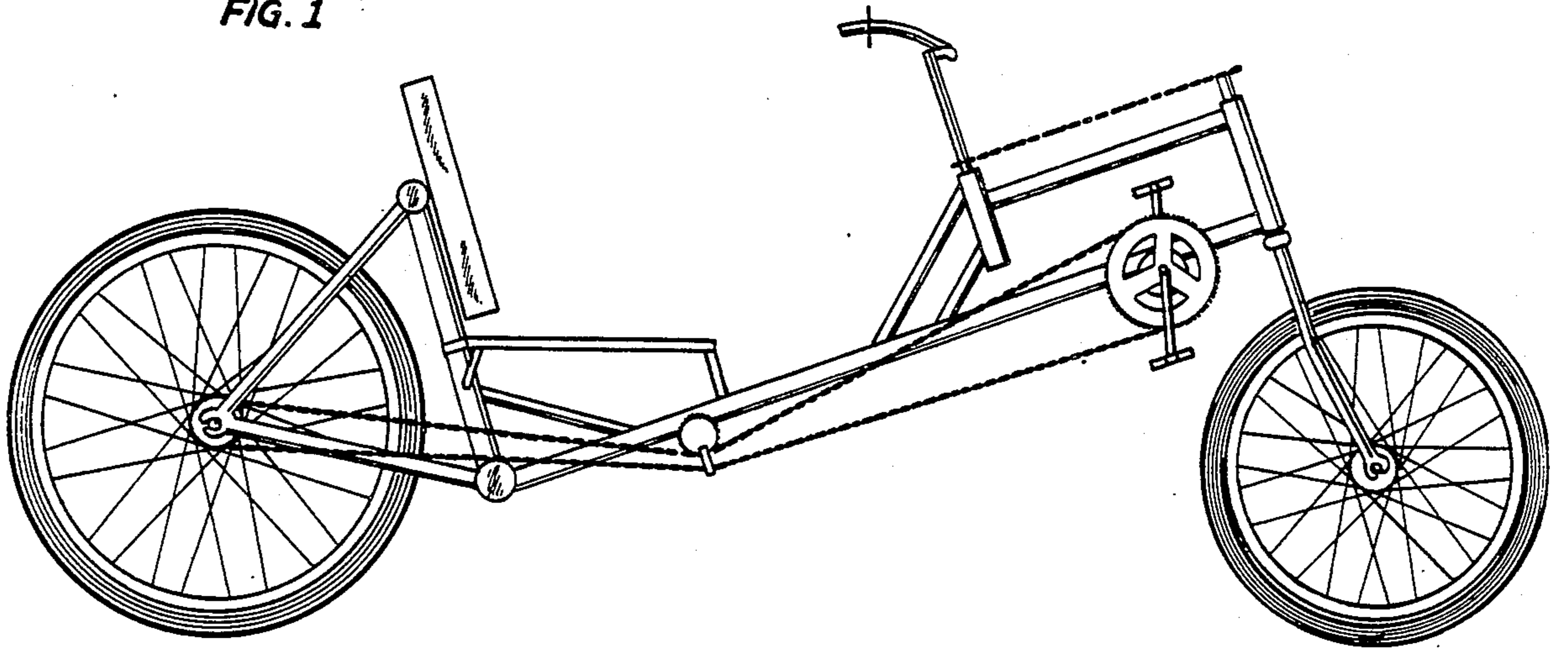


FIG. 2

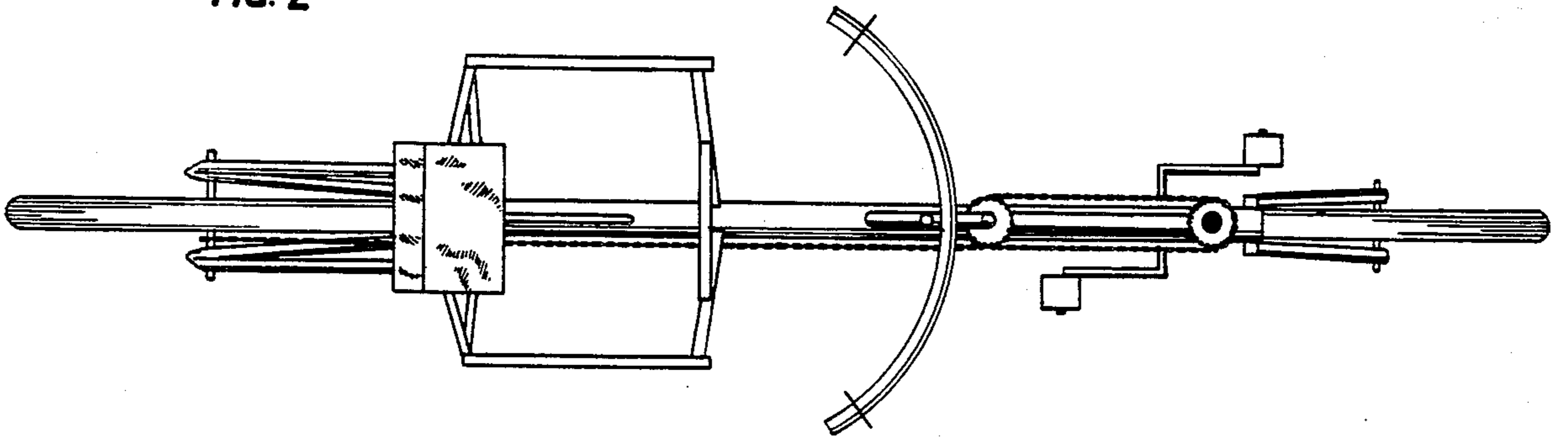


FIG. 3

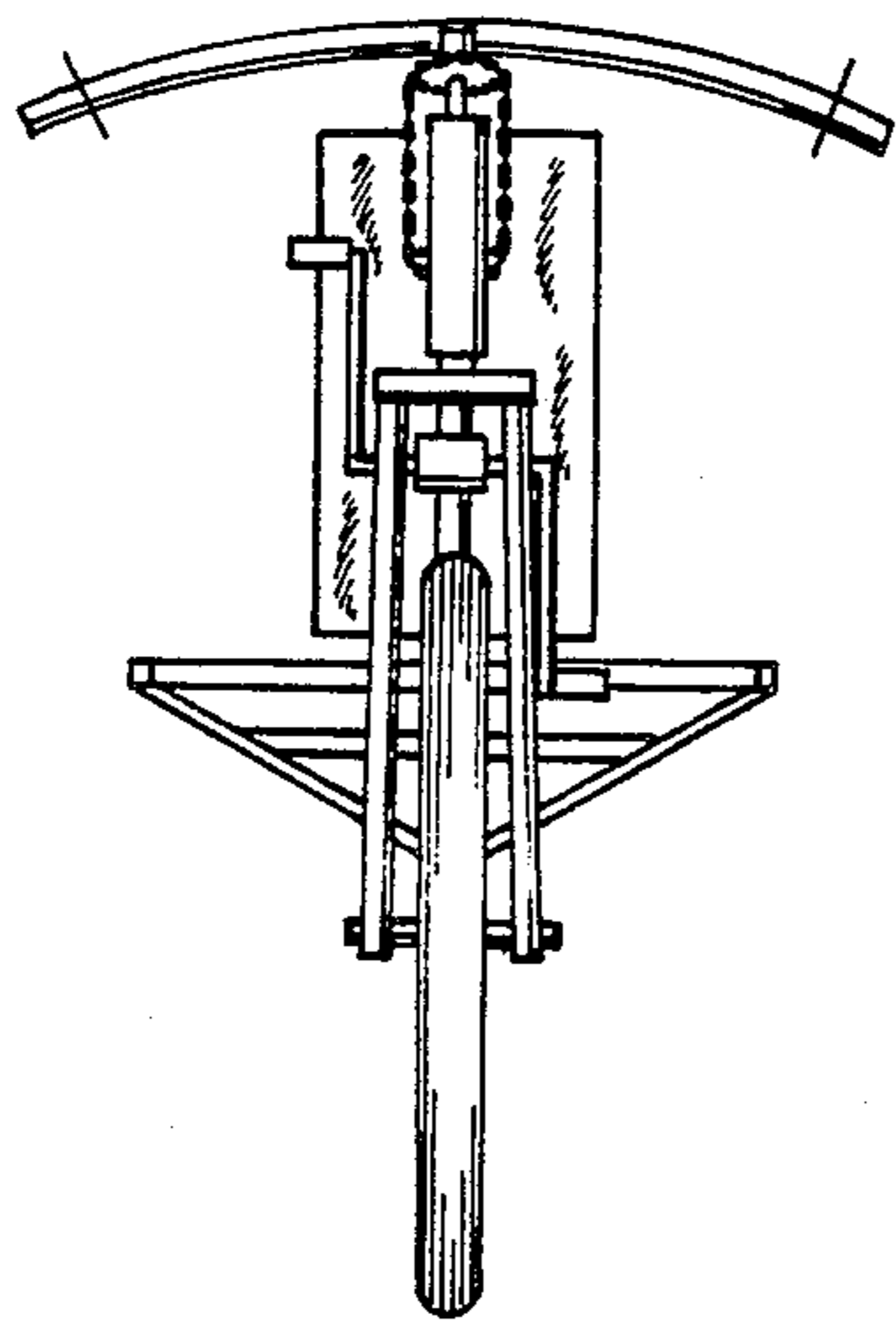


FIG. 4

