

United States Patent [19]

Aeschliman

[11] Patent Number: Des. 293,651

[45] Date of Patent: ** Jan. 12, 1988

[54] LAMP TUBE HOLDER

[75] Inventor: Walter H. Aeschliman, Bluffton, Ind.

[73] Assignee: Kar-Glo Industries, Inc., Bluffton, Ind.

[**] Term: 14 Years

[21] Appl. No.: 727,409

[22] Filed: Apr. 25, 1985

[52] U.S. Cl. D8/373; 248/314;
D8/349

[58] Field of Search 248/314, 210, 110;
211/60, 128, 126, 69; D8/349, 373, 363; 215/1,
100

[56] References Cited

U.S. PATENT DOCUMENTS

D. 250,222	11/1978	Clark et al.	D8/363
D. 252,318	7/1979	Kriegner	D8/349 X
D. 281,393	11/1985	Karnhag et al.	D8/373
988,434	4/1911	Blundon et al.	248/314
1,404,958	1/1922	Hobbs	248/314
1,462,108	7/1923	Holywell	248/314
1,533,209	4/1925	Radu	248/314
3,131,842	5/1964	Dingle, Jr. et al.	248/314

3,179,255	4/1965	De'Caccia	211/60
3,246,867	4/1977	Ewing	248/314
3,273,846	9/1966	De Mare	348/314
3,987,993	10/1976	Hopkins	248/210
4,285,486	8/1981	Von Osten et al.	D8/373 X

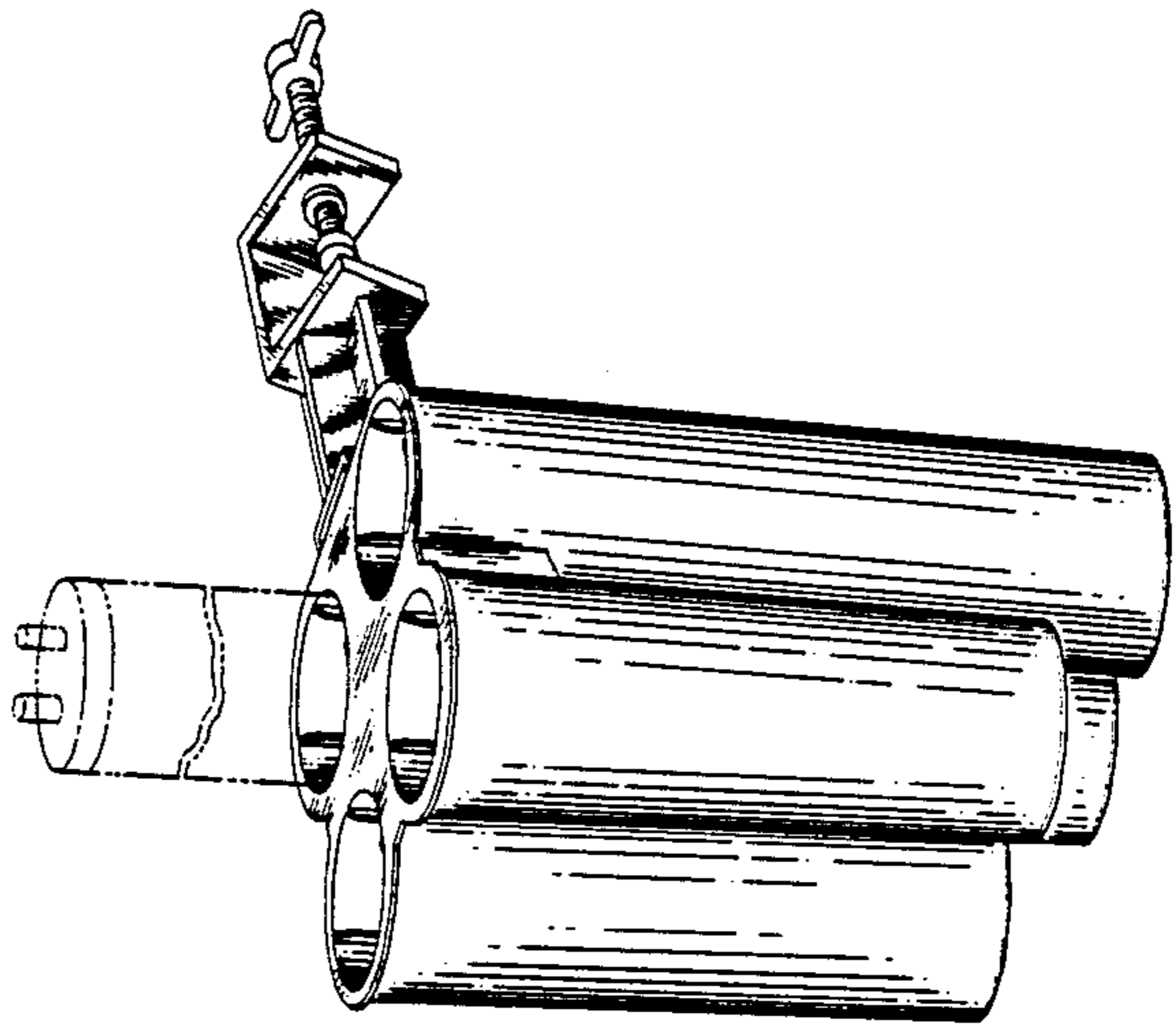
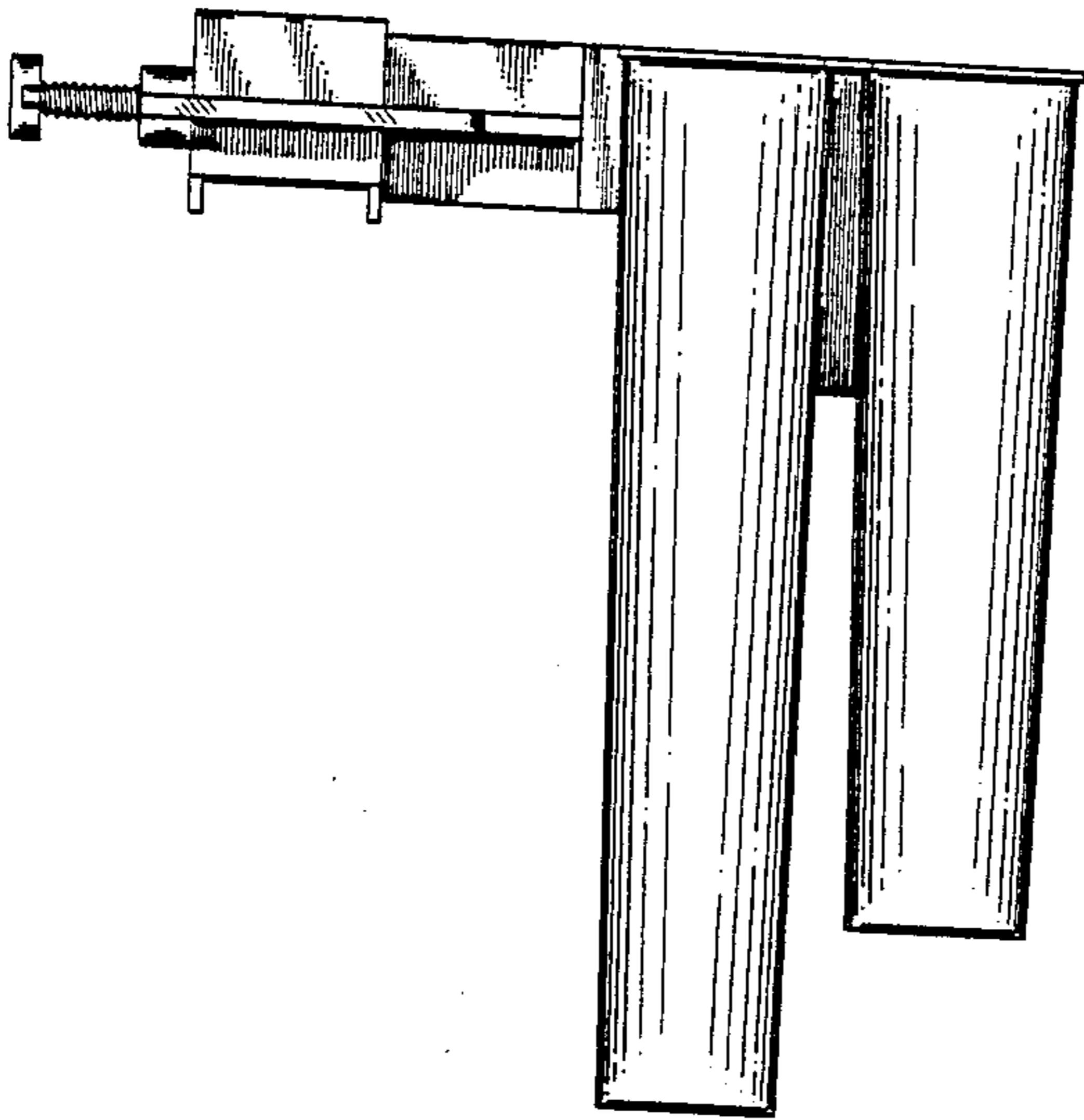
Primary Examiner—Wallace R. Burke
Assistant Examiner—Horace B. Fay, Jr.
Attorney, Agent, or Firm—Jeffers, Hoffman & Niewyk

[57] CLAIM

The ornamental design of a lamp tube holder, as shown and described.

DESCRIPTION

FIG. 1 is a perspective view of a lamp tube holder showing my new design;
FIG. 2 is a top plan view thereof;
FIG. 3 is a left side view thereof;
FIG. 4 is a bottom view thereof;
FIG. 5 is a right side view thereof;
FIG. 6 is a front elevational view thereof;
FIG. 7 is a rear elevational view thereof.
The broken line showing of a lamp tube in FIG. 1 is for illustrative purposes only and forms no part of the claimed design.



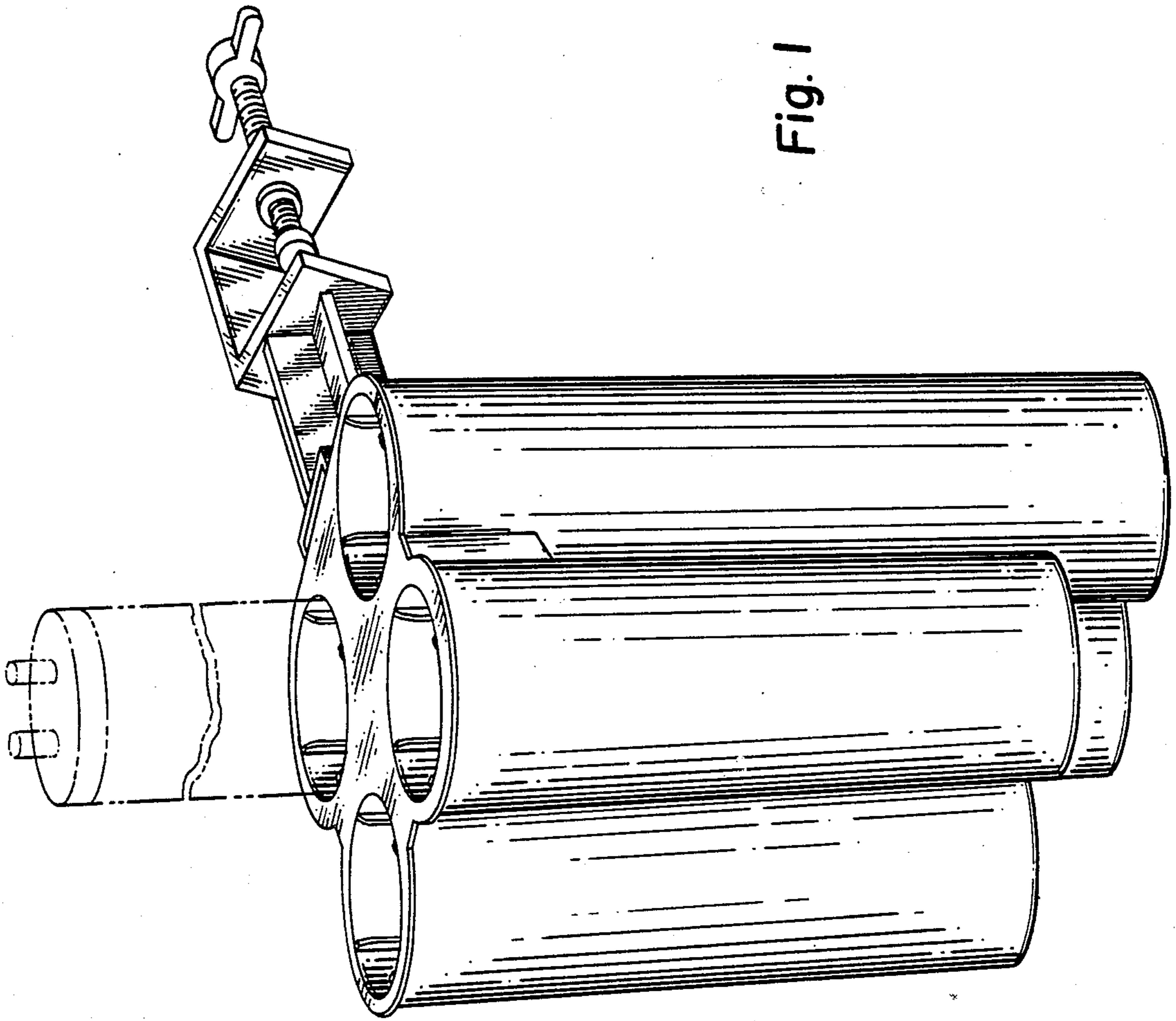


Fig. 1

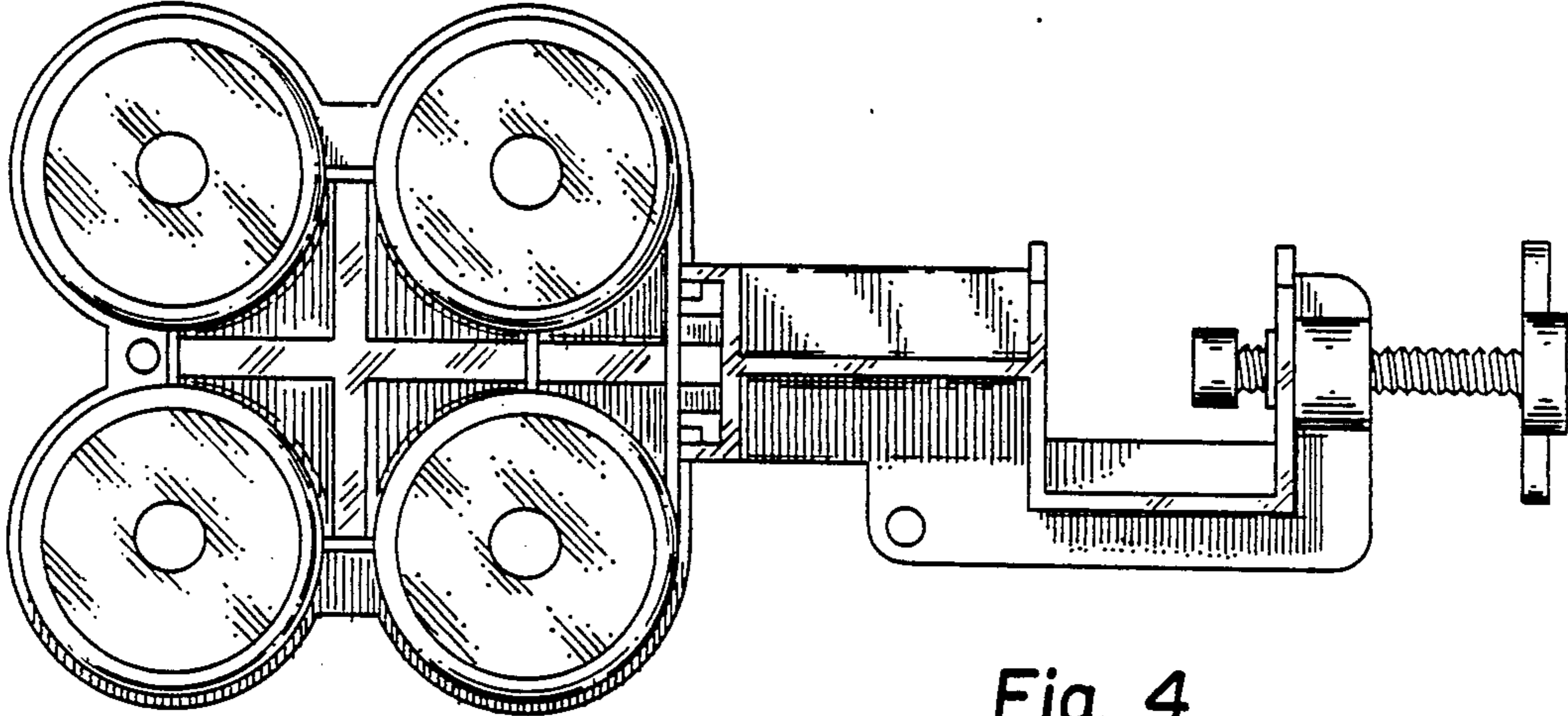


Fig. 4

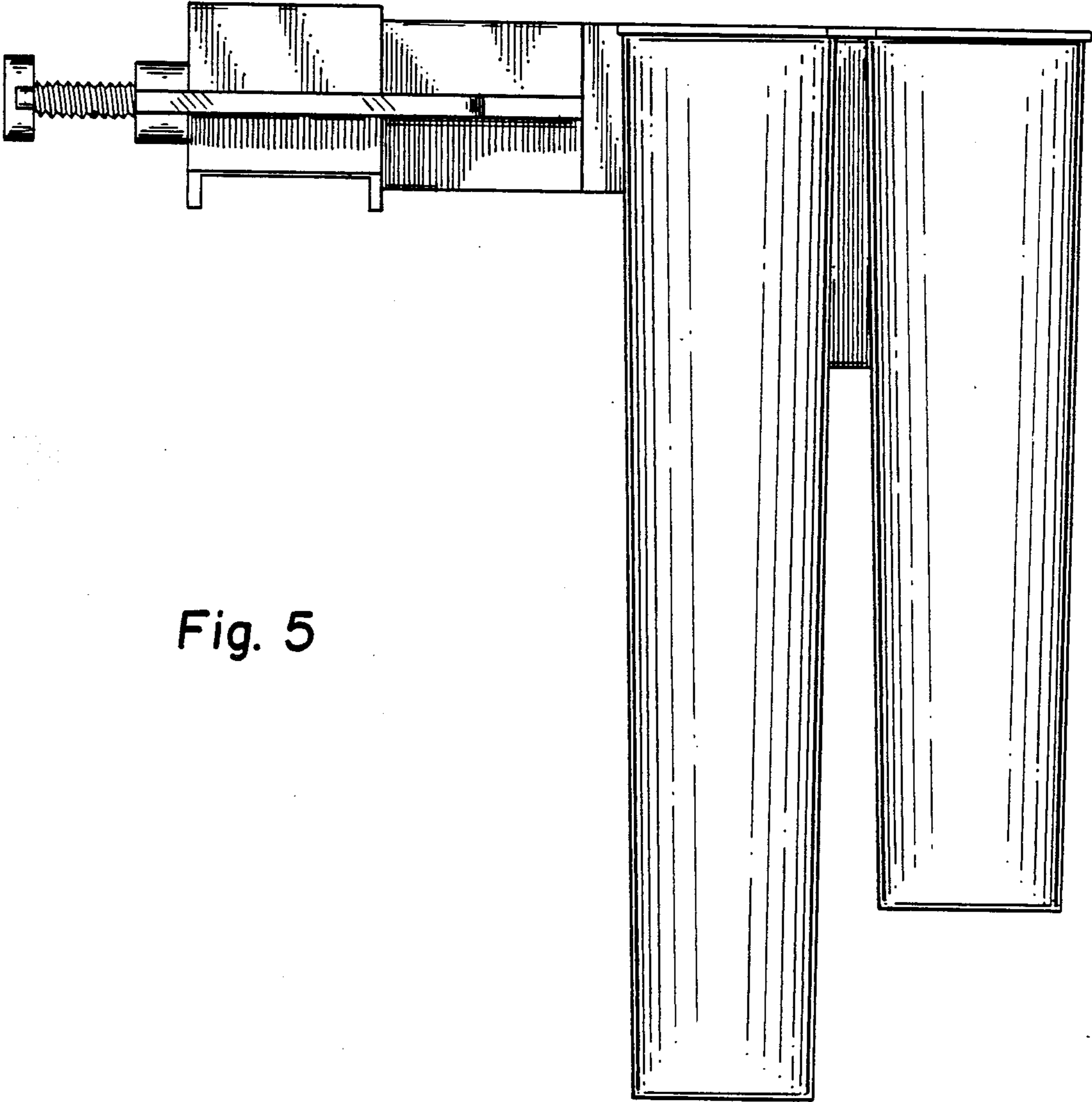


Fig. 5

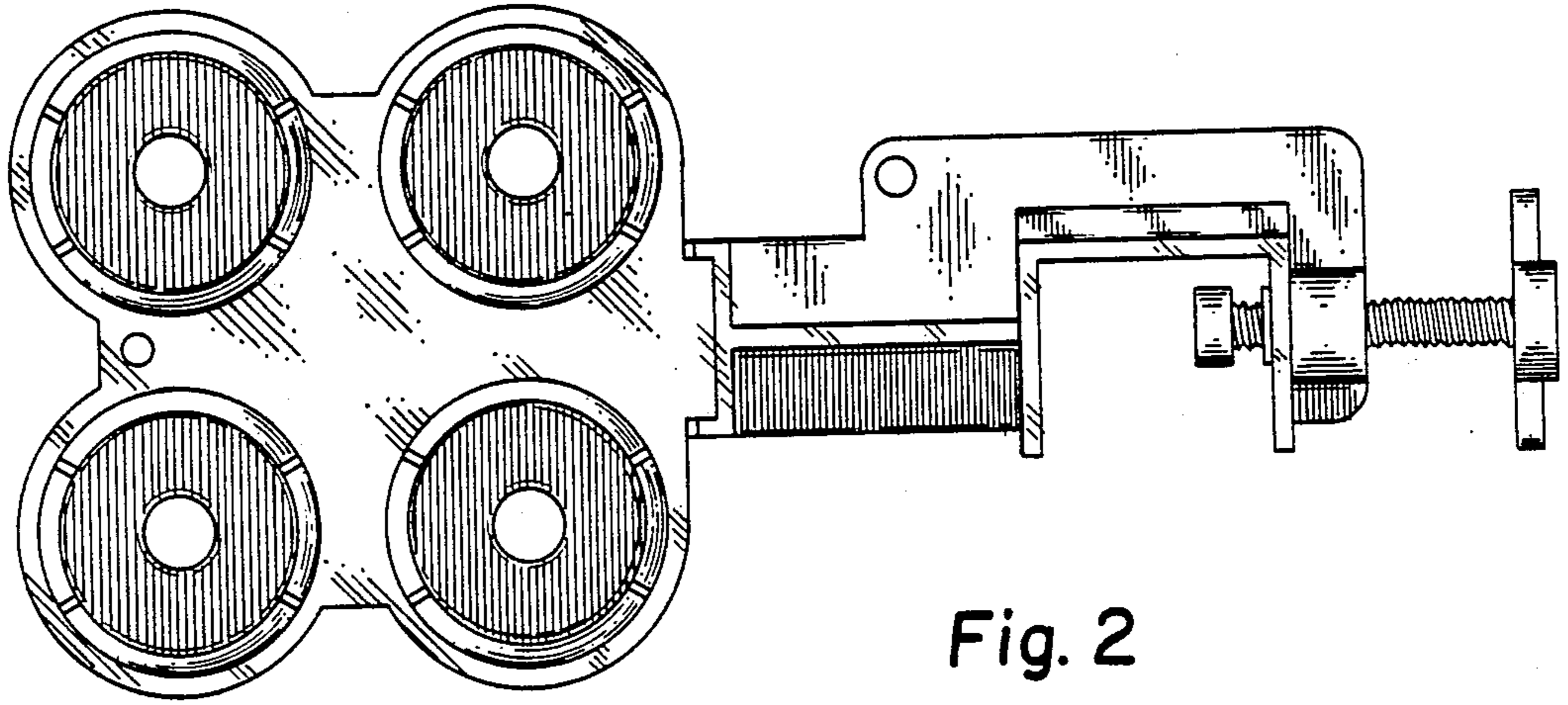


Fig. 2

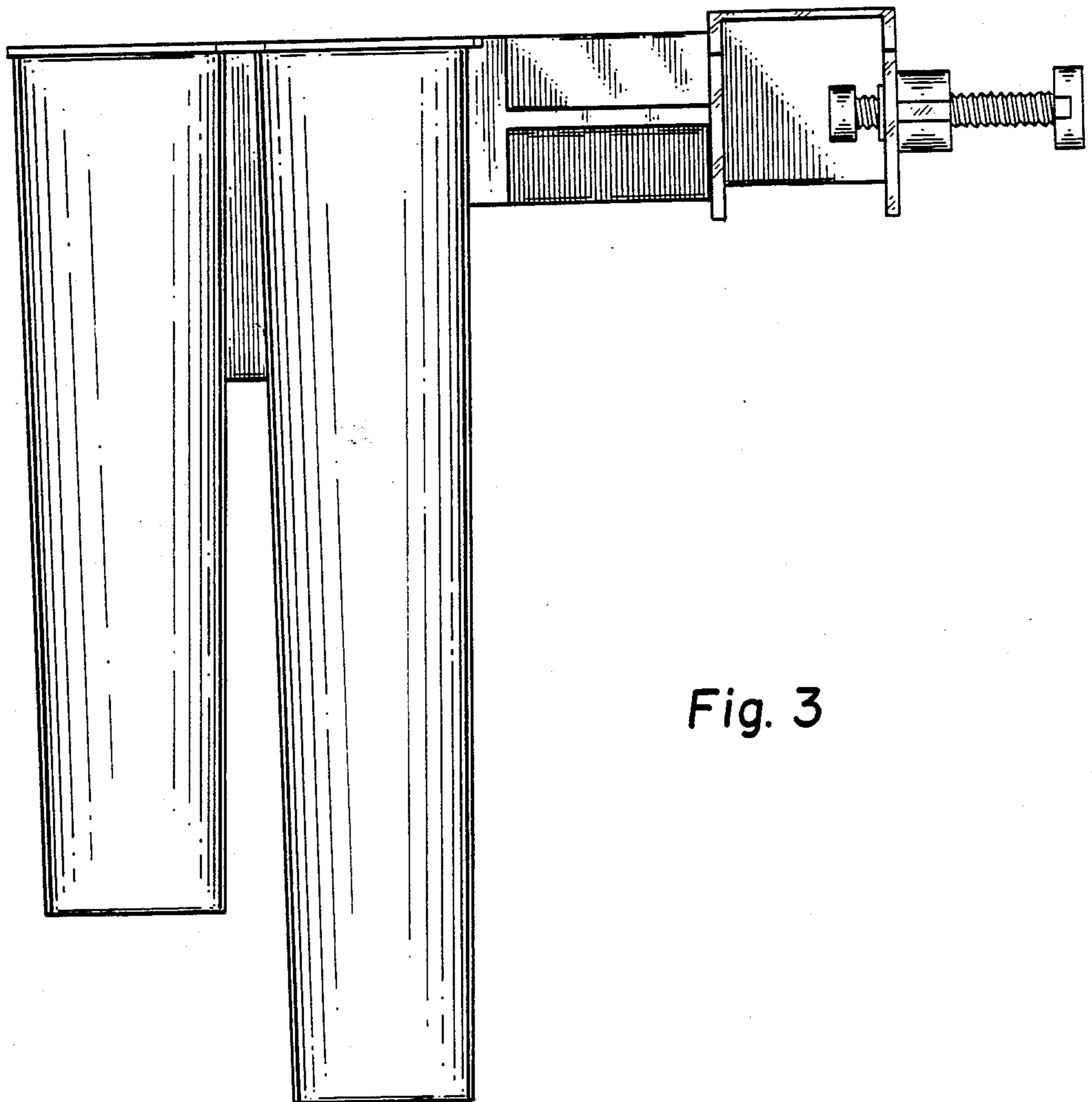


Fig. 3

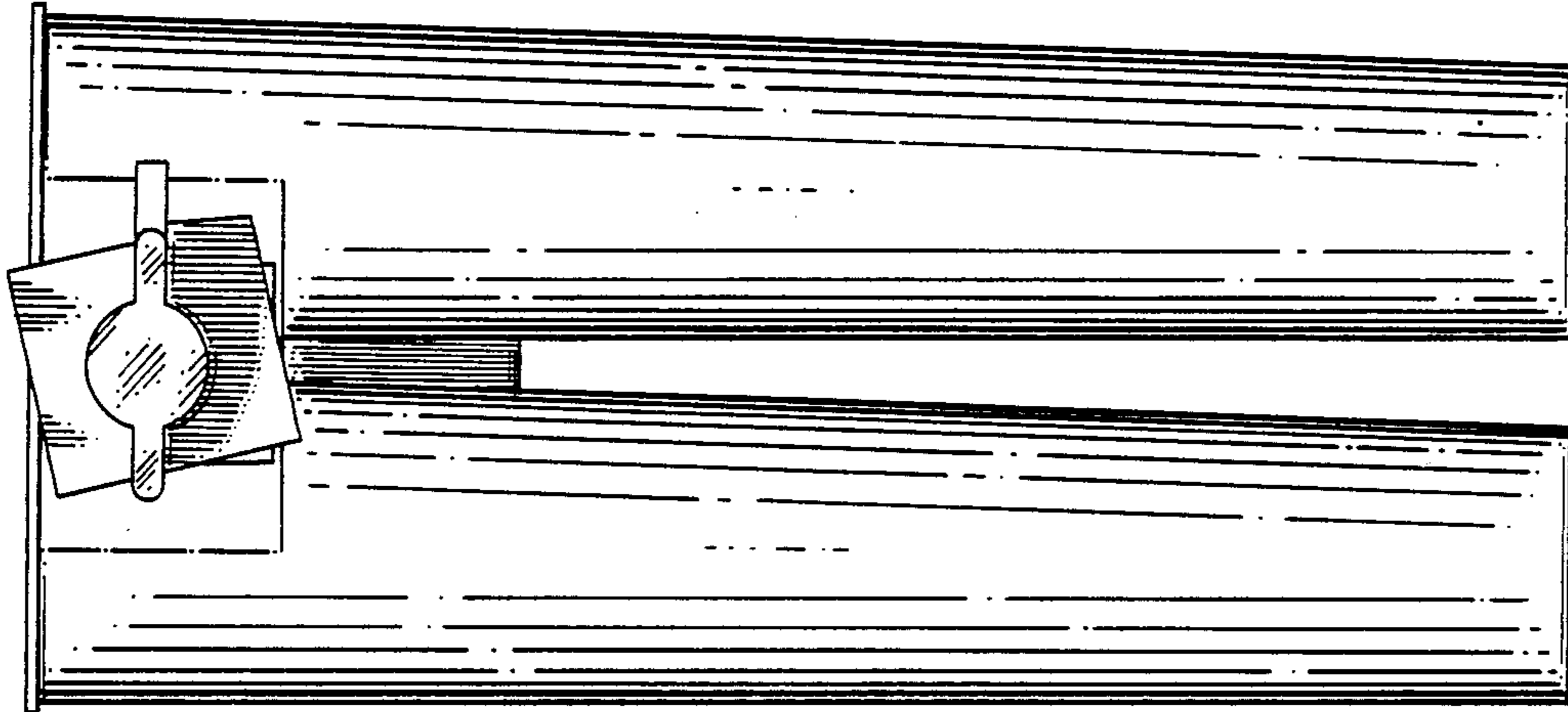


Fig. 7

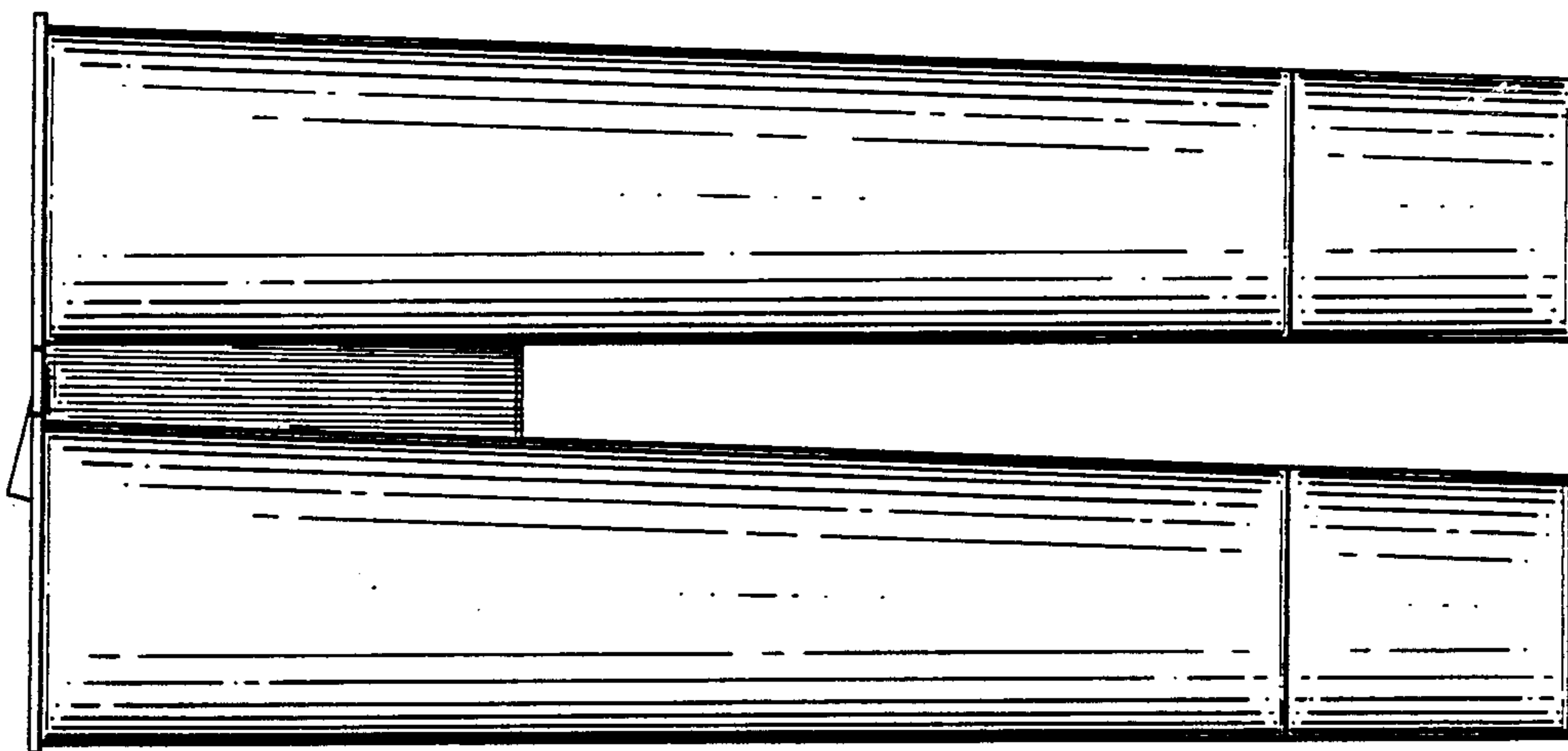


Fig. 6