

United States Patent [19]
Smirne

[11] **Patent Number: Des. 293,648**

[45] **Date of Patent: ** Jan. 12, 1988**

[54] **PORTABLE STAPLE HOLDER**

[76] **Inventor: Frank S. Smirne, 1240 Washington St., Whitehall, Pa. 18052**

[**] **Term: 14 Years**

[21] **Appl. No.: 43,996**

[22] **Filed: Apr. 29, 1987**

Related U.S. Application Data

[62] **Division of Ser. No. 669,676, Nov. 9, 1984.**

[52] **U.S. Cl. D8/71**

[58] **Field of Search D8/71; 269/1, 3, 9, 269/16, 329**

[56] **References Cited**

U.S. PATENT DOCUMENTS

| | | | |
|-----------|---------|-------------------|---------|
| 1,489,813 | 4/1924 | Bewsick | 269/1 |
| 1,550,562 | 8/1925 | Moses | 269/1 |
| 2,614,594 | 10/1952 | Ashlock, Jr. | 269/329 |
| 4,167,264 | 9/1979 | Kretzmeir | 269/16 |

Primary Examiner—B. J. Bullock

Attorney, Agent, or Firm—William B. Noll

[57] **CLAIM**

The ornamental design for a portable staple holder, as shown and described.

DESCRIPTION

FIG. 1 is a top perspective view of a portable staple holder showing my new design; the broken line showing of a staple being for illustrative purposes only; and FIG. 2 is a bottom perspective view thereof.

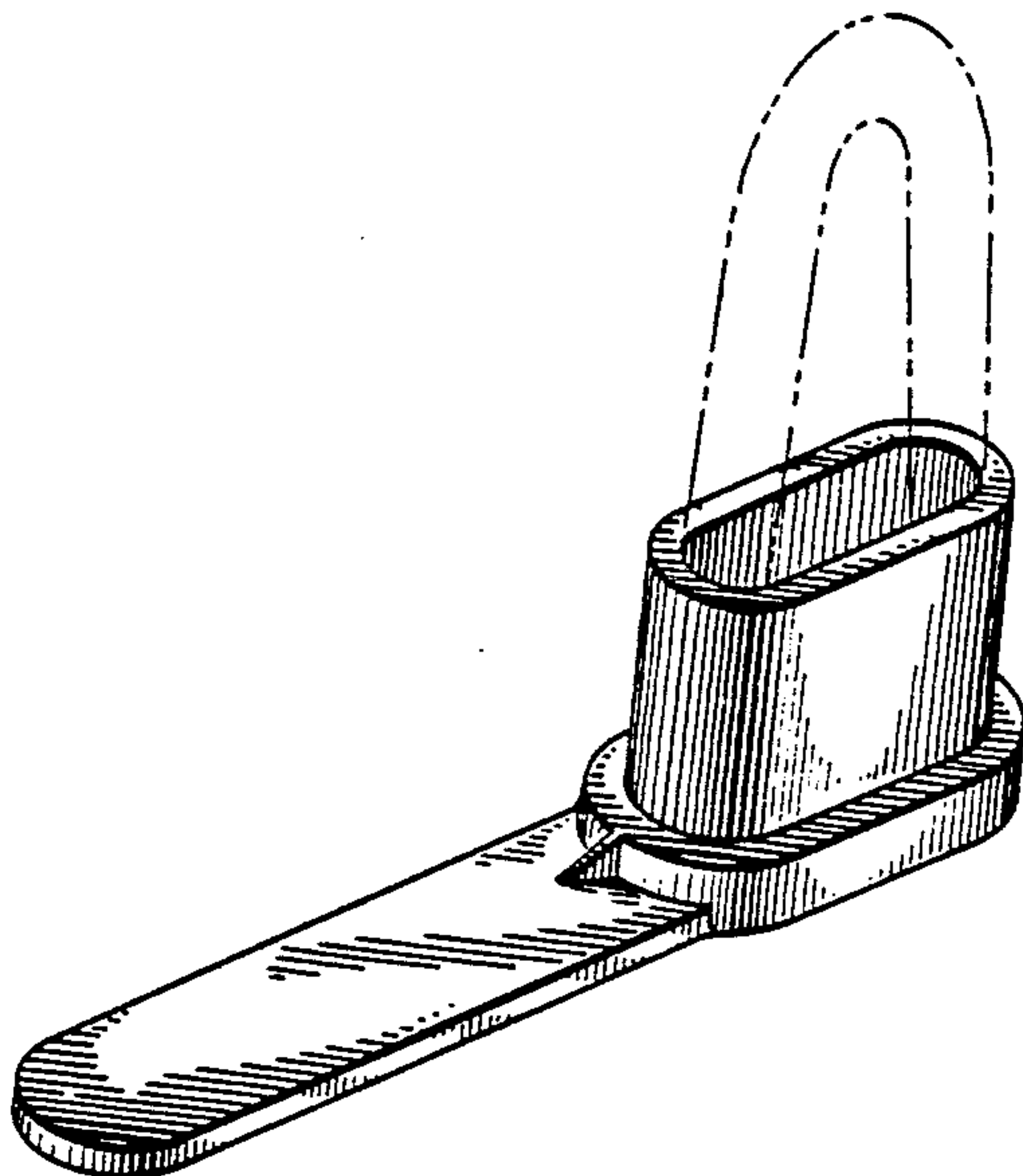


FIG. 1

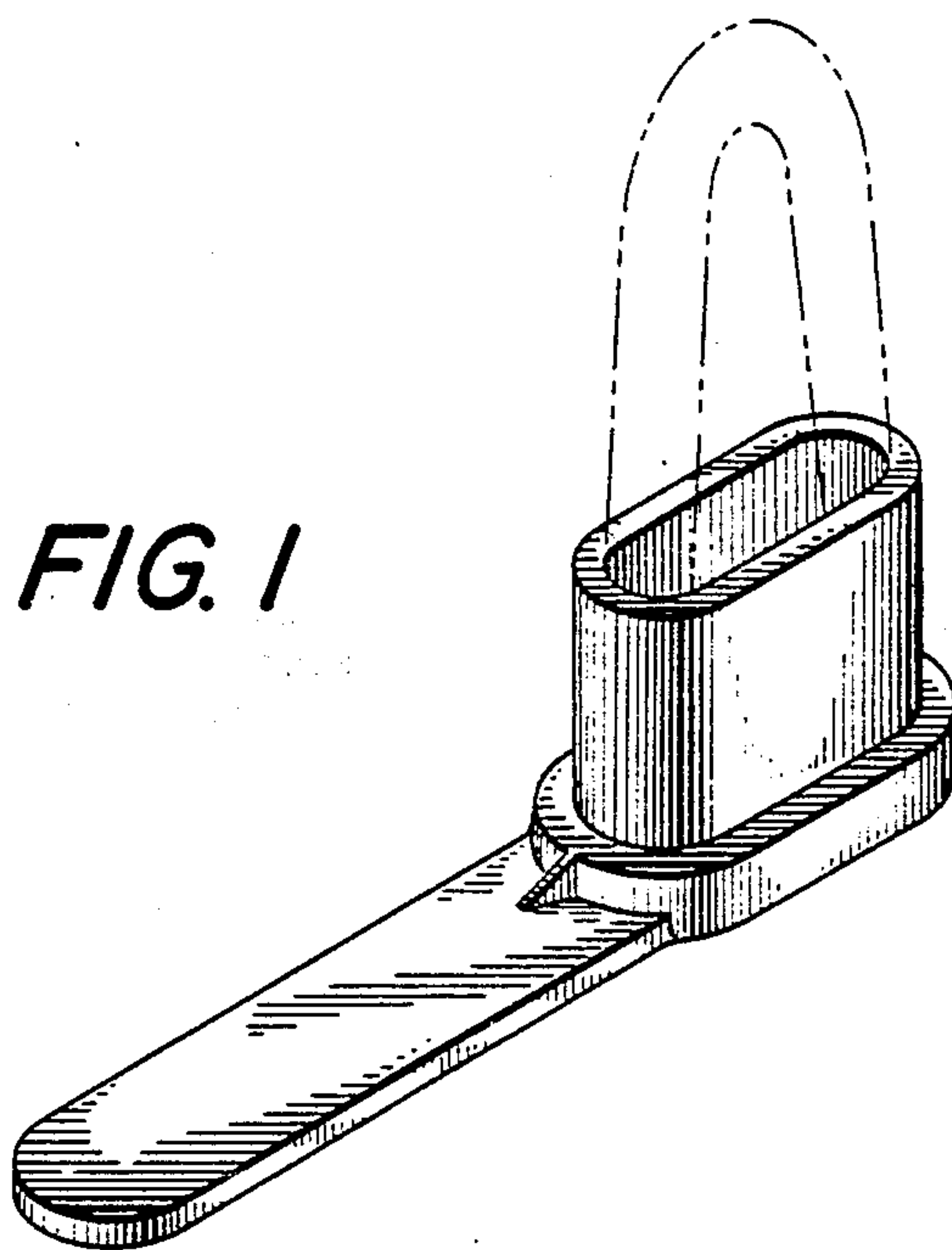


FIG. 2

