

[54] SOAP DISH

[76] Inventor: Howard Sussman, 3101 NW. 25th Ave., Pompano Beach, Fla. 33060

[**] Term: 14 Years

[21] Appl. No.: 792,207

[22] Filed: Oct. 28, 1985

[52] U.S. Cl. D6/536

[58] Field of Search D6/536, 538, 539, 540; 206/77.1; 248/309.1, 359 R, 359 A, 359.1, 360, 316.8

3,054,211 9/1962 Hawk et al. 206/77.1

Primary Examiner—B. J. Bullock
Attorney, Agent, or Firm—Myron Amer

[57] CLAIM

The ornamental design for a soap dish, as shown and described.

DESCRIPTION

FIG. 1 is a plan view of a soap dish showing my new design;

FIG. 2 is a front elevational view thereof;

FIG. 3 is a bottom plan view thereof;

FIG. 4 is a sectional view taken in the direction of the arrows on line 4—4 of FIG. 1;

FIG. 5 is a rear elevational view thereof; and

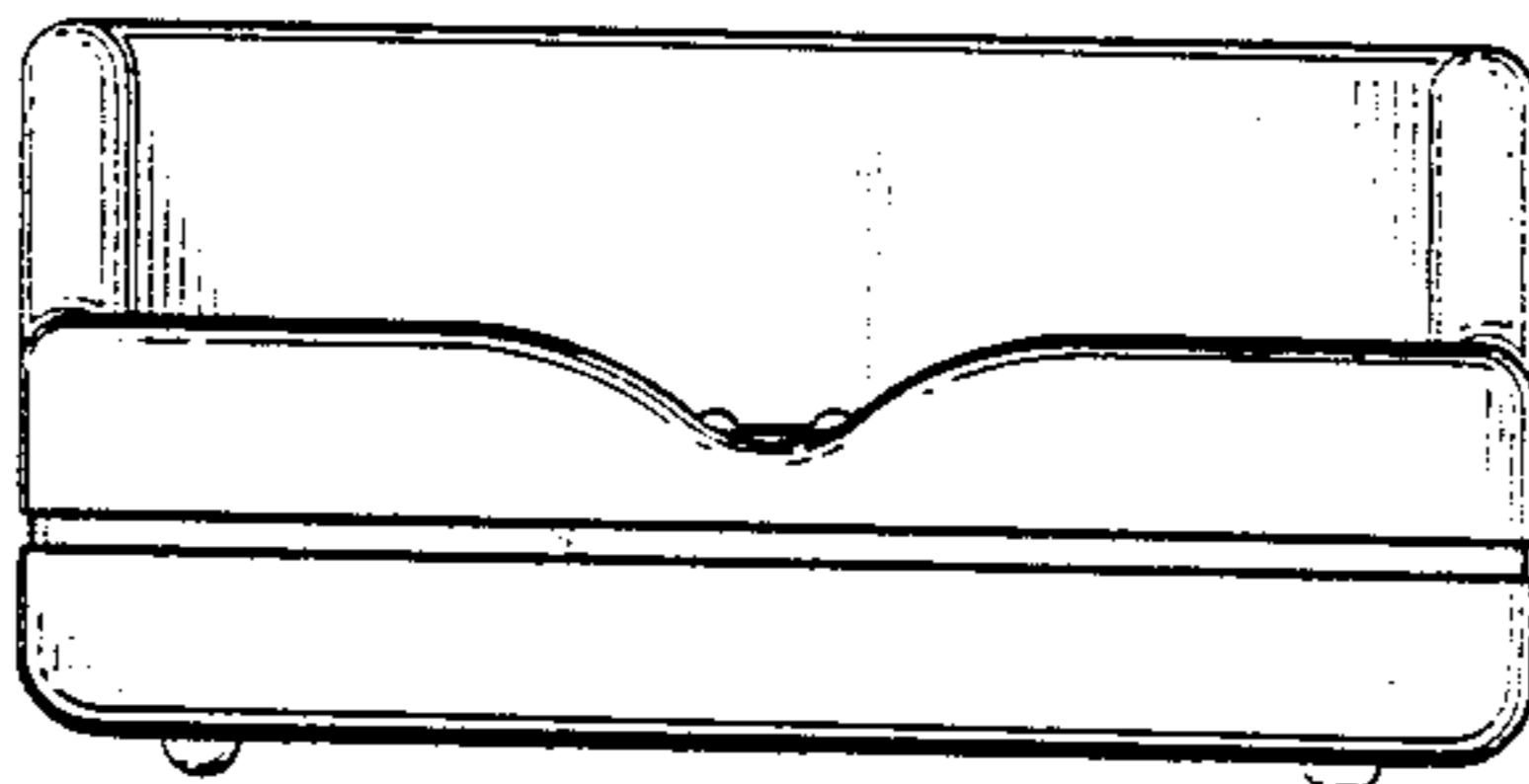
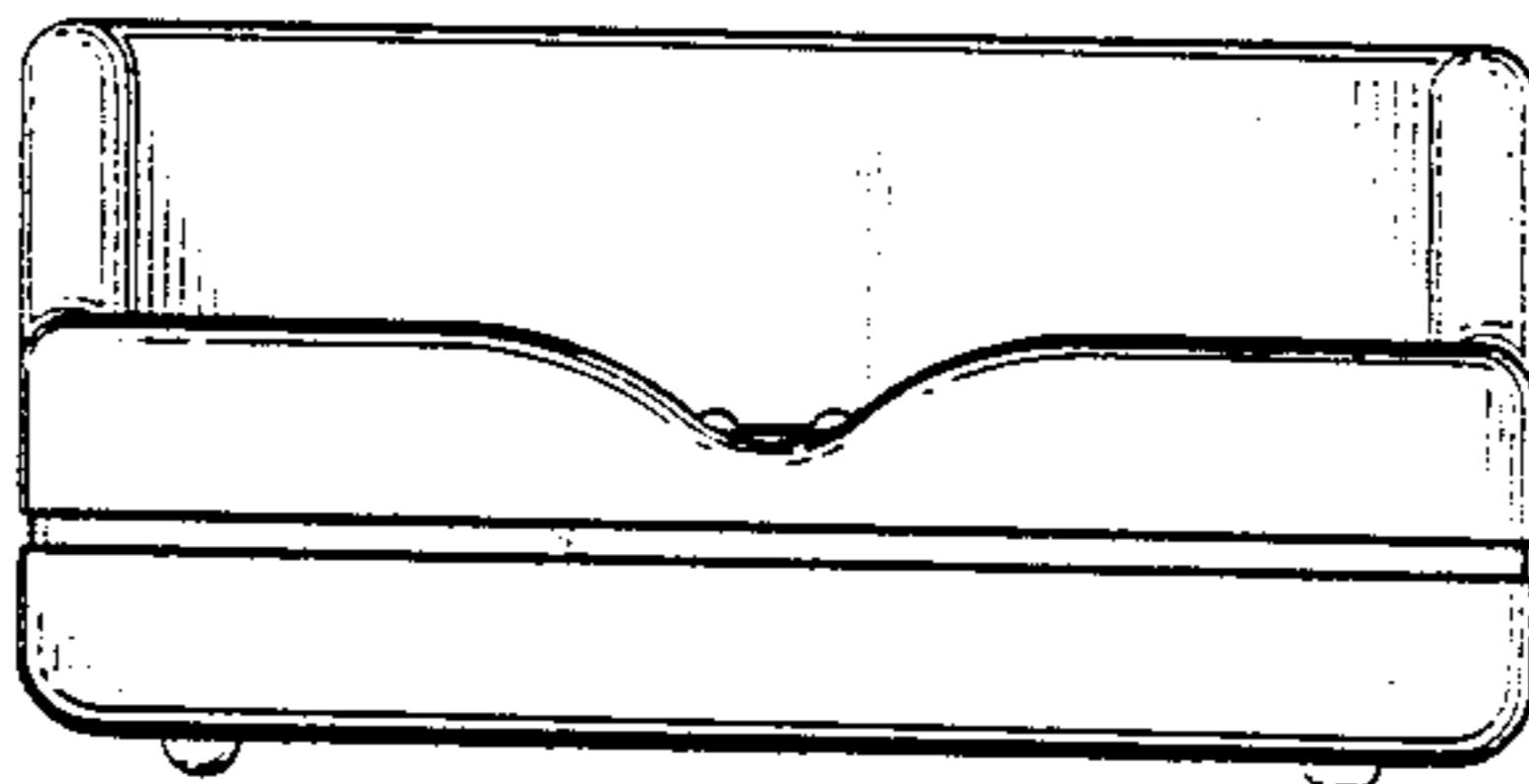
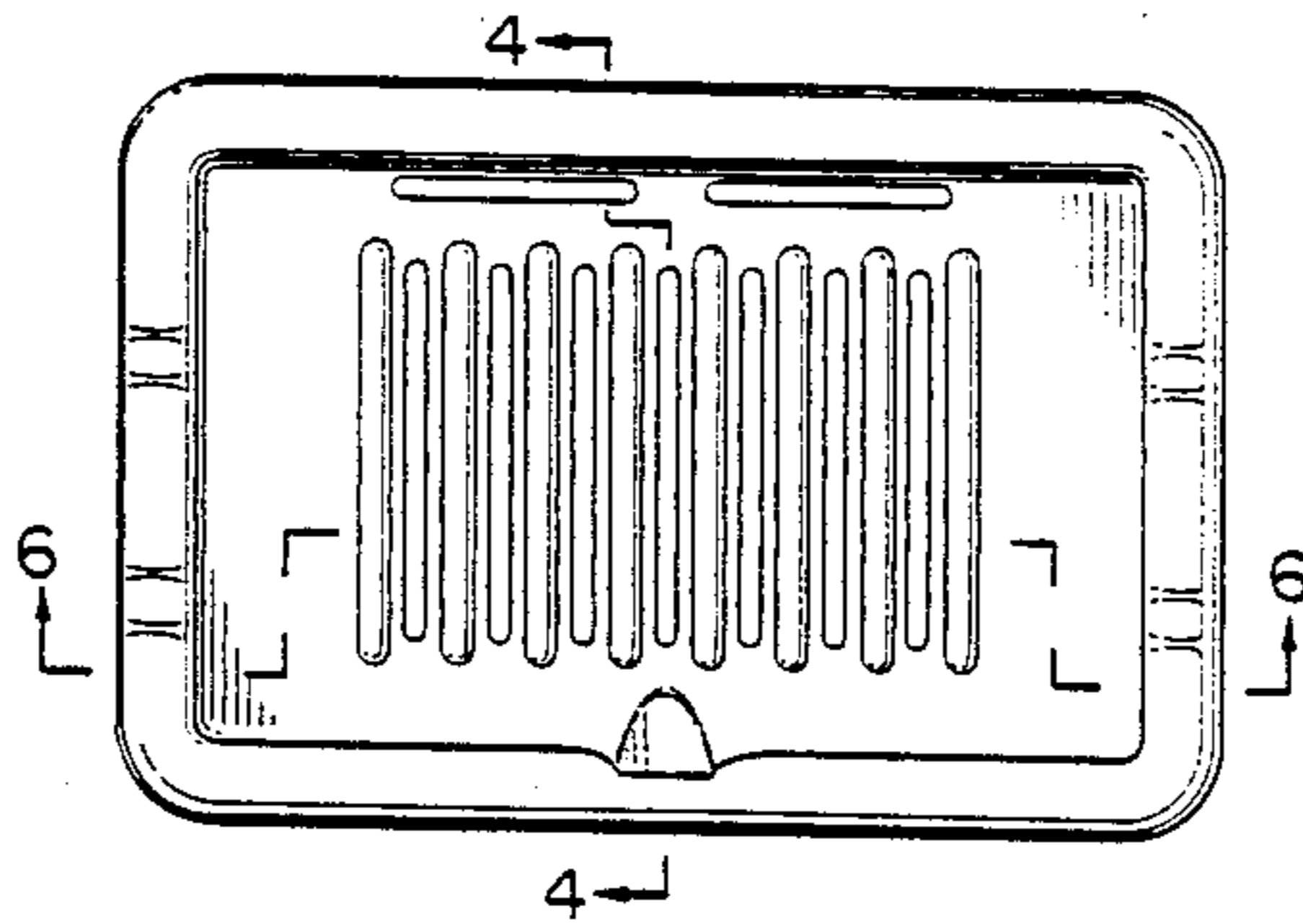
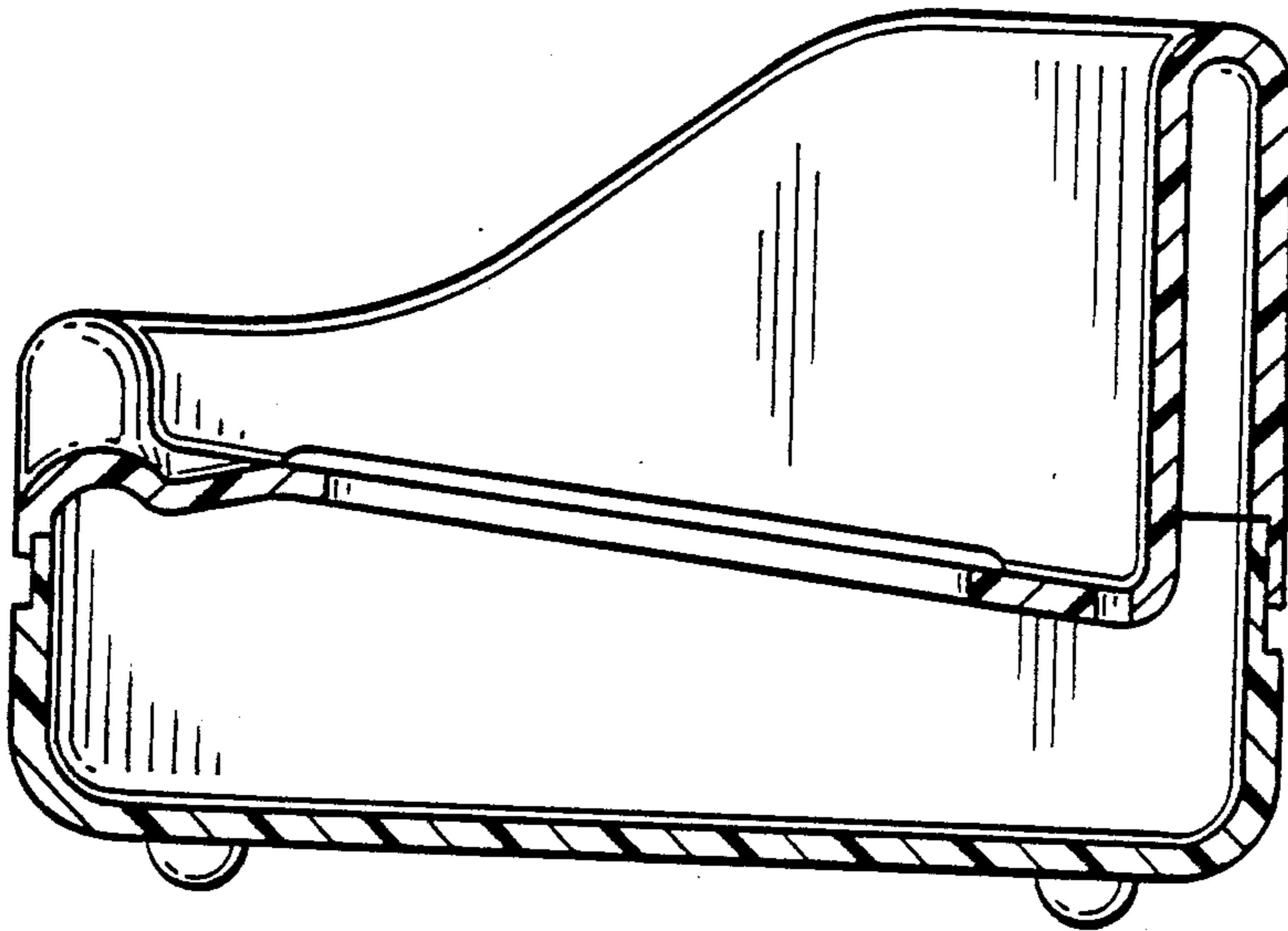
FIG. 6 is a sectional view taken in the direction of the arrows on line 6—6 of FIG. 1;

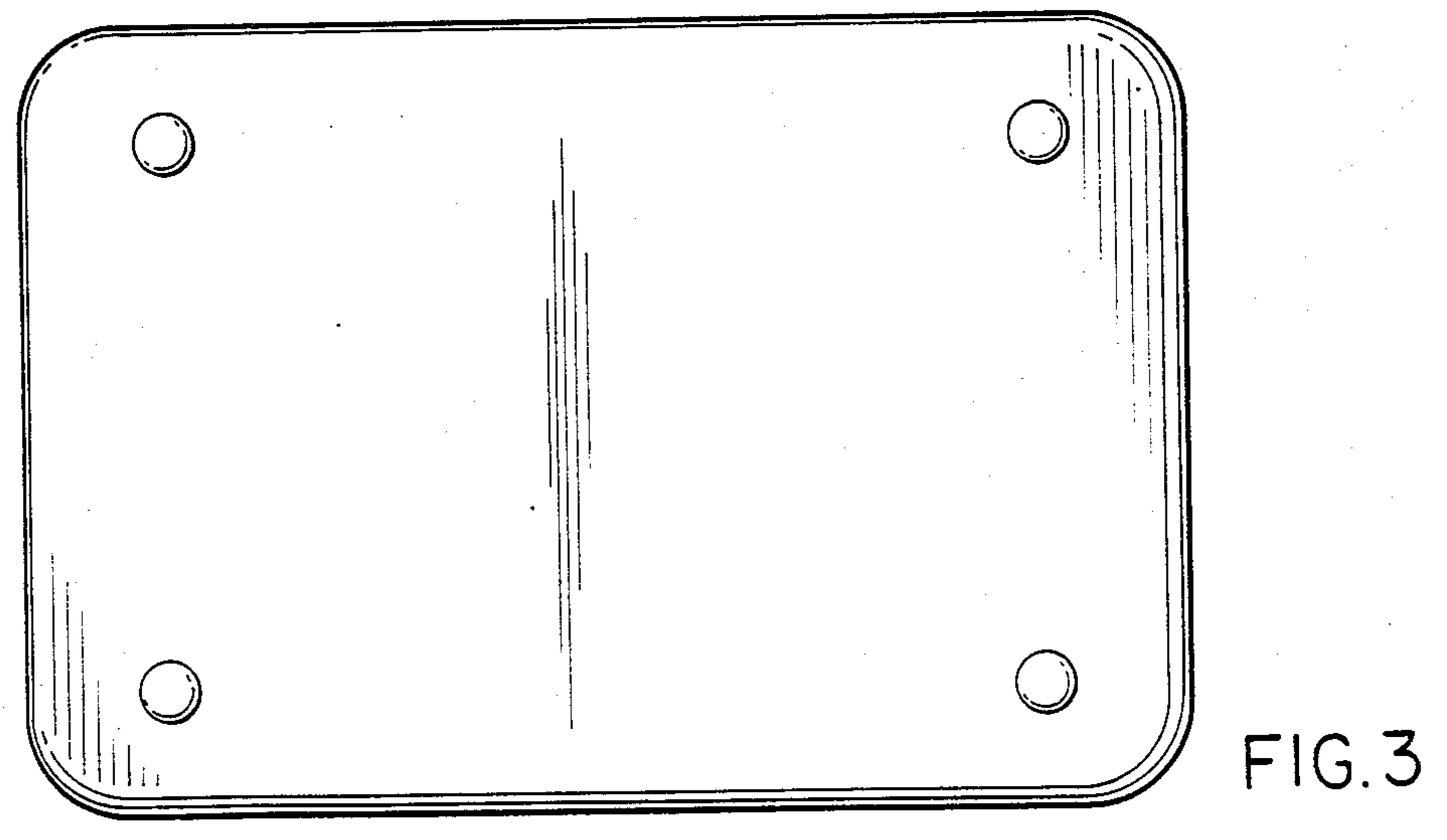
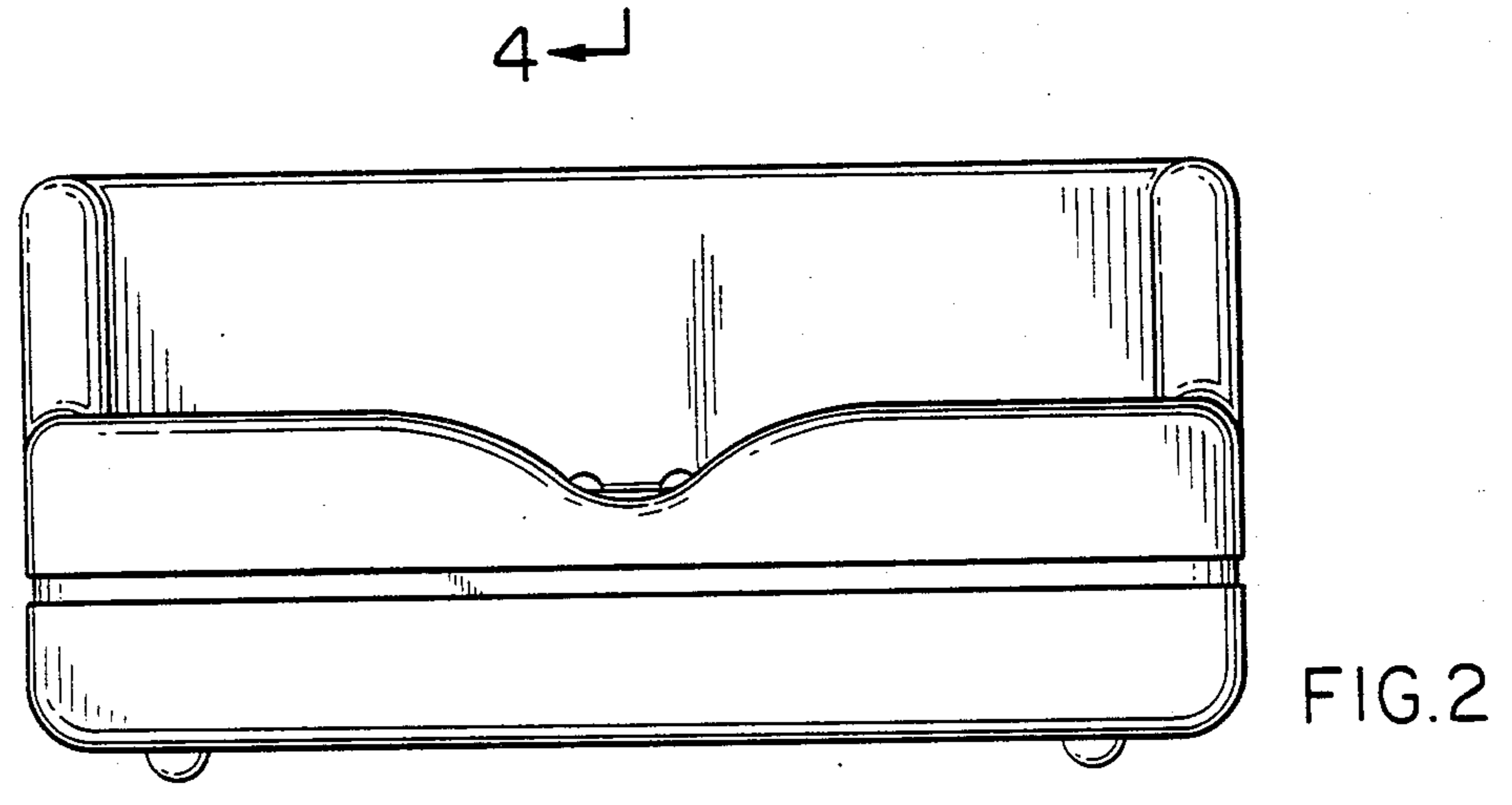
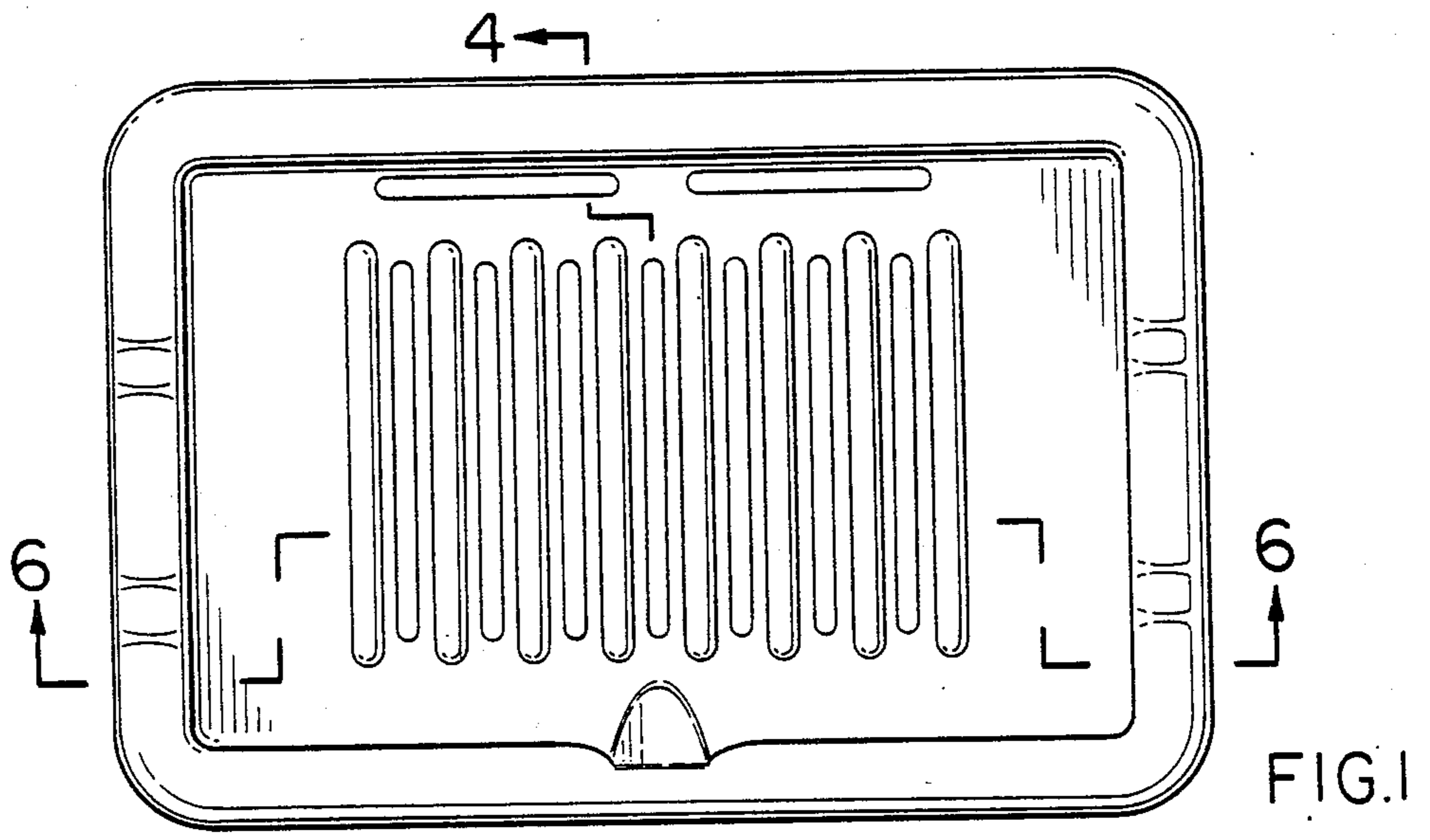
FIG. 7 is a reduced right side elevational view thereof, the left side elevational view being a mirror image.

[56] References Cited

U.S. PATENT DOCUMENTS

D. 147,515	9/1947	Treiber	D6/536
D. 240,784	8/1976	Beauchamp	D6/536
D. 278,491	4/1985	Thompson	D6/536
D. 286,354	10/1986	Bussell	D6/536
2,505,387	4/1950	Dantzler	248/316.8





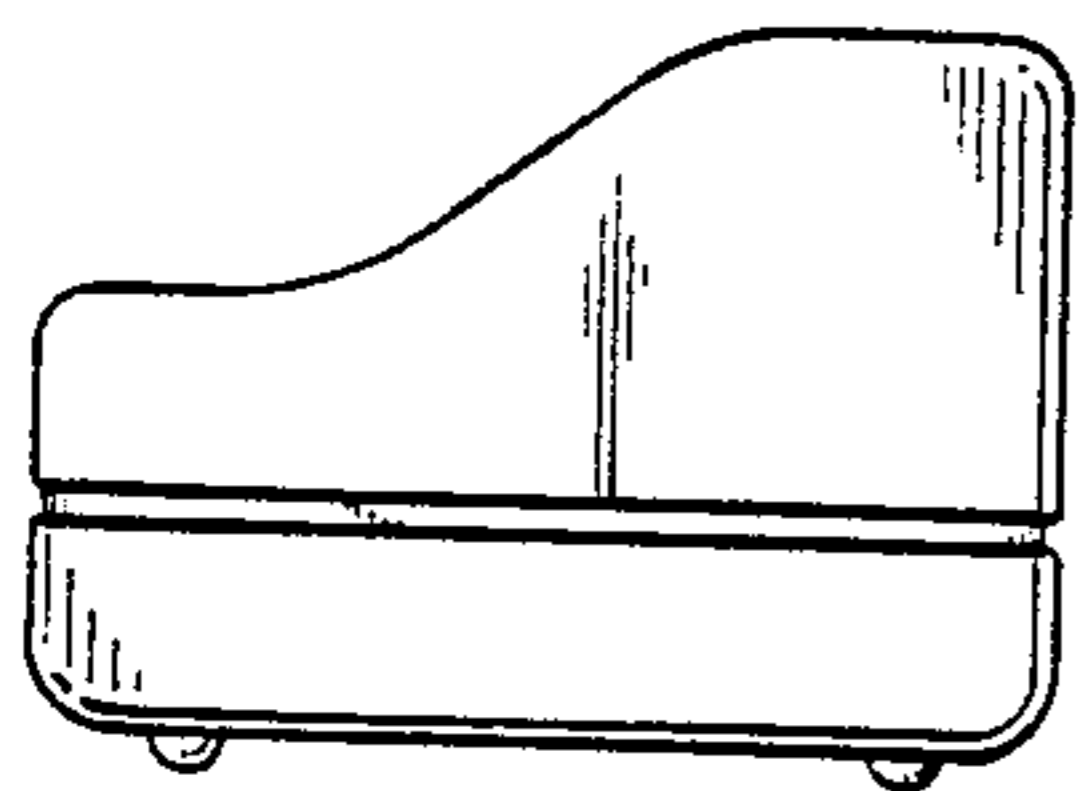


FIG. 7

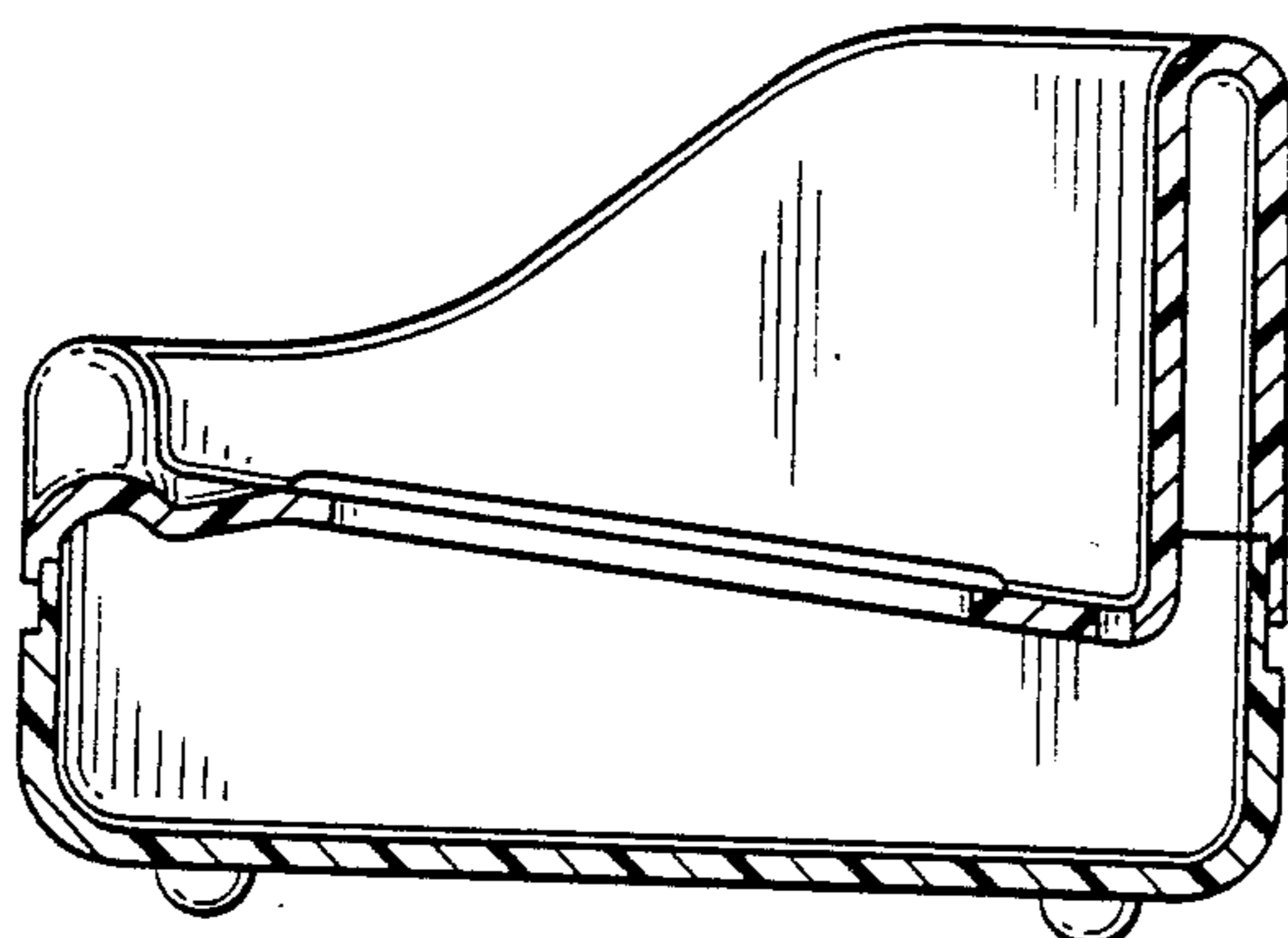


FIG. 4

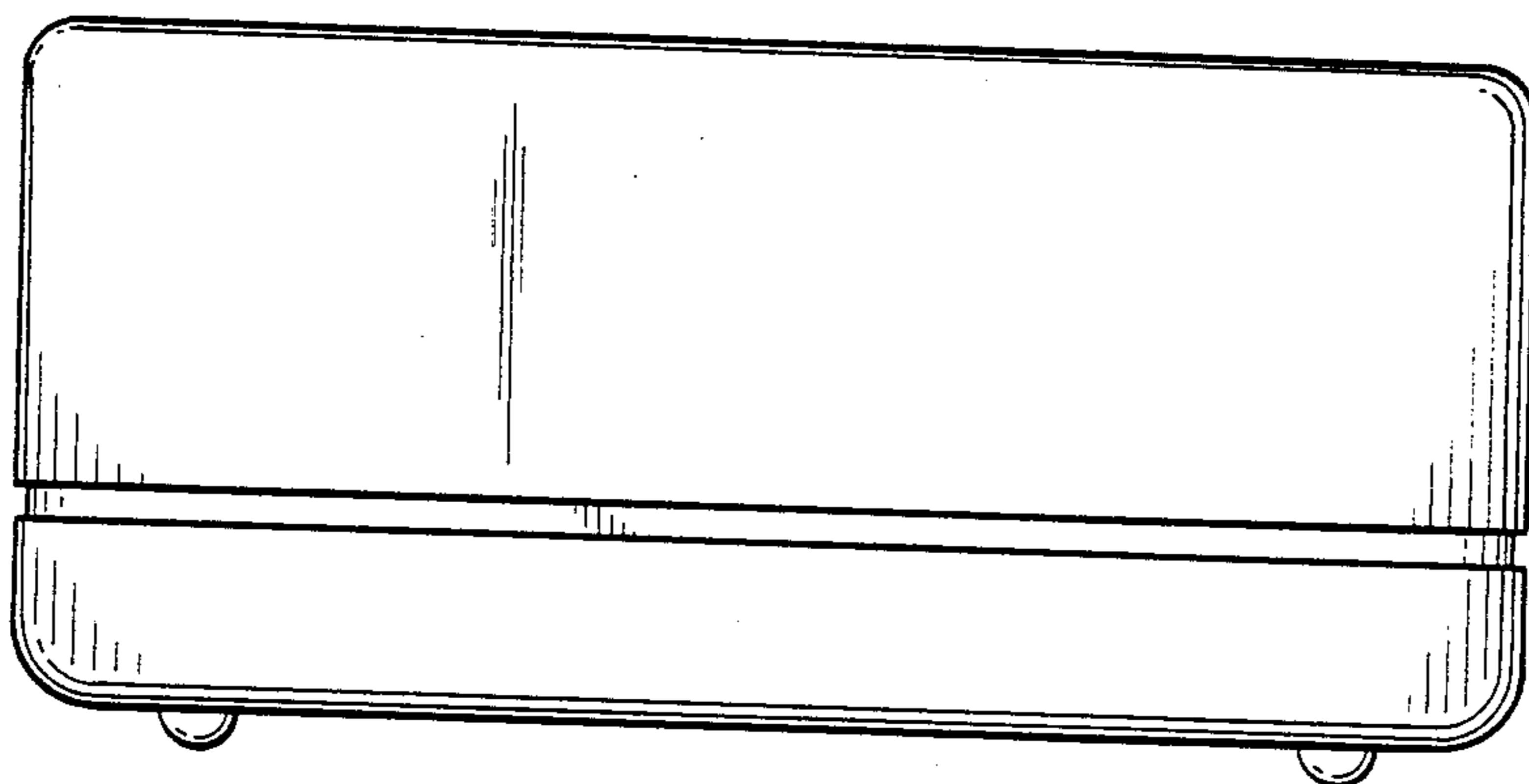


FIG. 5

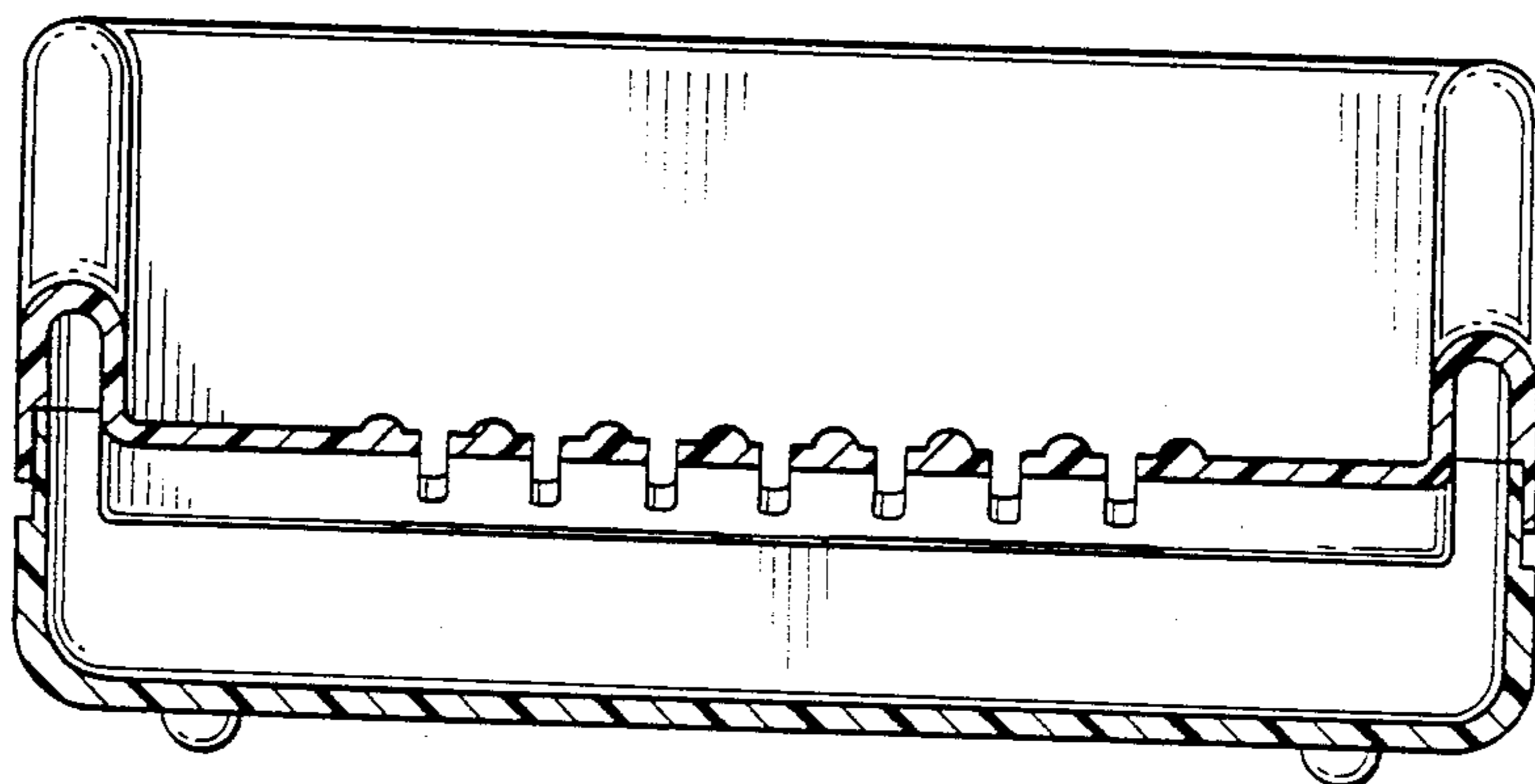


FIG. 6