

[54] SUPPORT FRAME FOR A SEAT

[76] Inventor: Ronald Tallon, Golf Road, Foxrock, Dublin 18, Ireland

[**] Term: 14 Years

[21] Appl. No.: 673,616

[22] Filed: Nov. 21, 1984

[30] Foreign Application Priority Data

May 21, 1984 [IE] Ireland D6198/84

[52] U.S. Cl. D6/500; D6/334; D6/381

[58] Field of Search D6/334, 374, 375, 381, D6/500; 297/440, 445

[56] References Cited

U.S. PATENT DOCUMENTS

- D. 157,558 3/1950 Anderson D6/502
- D. 248,522 7/1978 Corda D6/374
- D. 280,683 9/1985 Parker D6/381 X
- D. 285,028 8/1986 McBride D6/375

FOREIGN PATENT DOCUMENTS

929238 7/1947 France 297/440

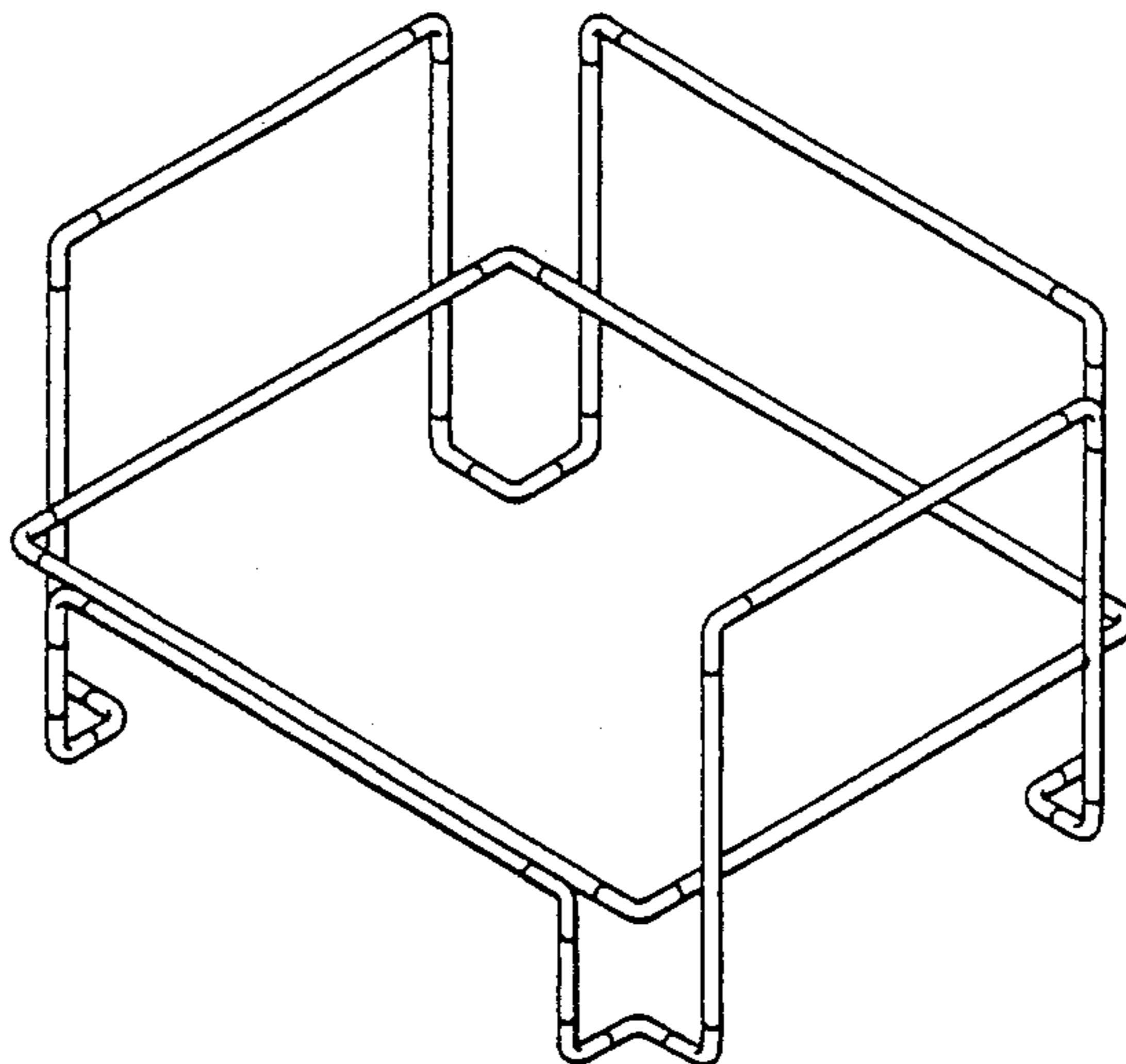
Primary Examiner—Bruce W. Dunkins
Attorney, Agent, or Firm—Birch, Stewart, Kolasch & Birch

[57] CLAIM

The ornamental design for a support frame for a seat, as shown and described.

DESCRIPTION

FIG. 1 is a top perspective view of a support frame for a seat showing my new design;
 FIG. 2 is a bottom plan view thereof;
 FIG. 3 is a top plan view thereof;
 FIG. 4 is a back elevational view thereof;
 FIG. 5 is a front elevational view thereof;
 FIG. 6 is a side elevational view thereof;
 FIG. 7 is a top plan view of a support frame for a seat showing a second embodiment of my new design;
 FIG. 8 is a bottom plan view thereof;
 FIG. 9 is a top plan view thereof;
 FIG. 10 is a back elevational view thereof;
 FIG. 11 is a front elevational view thereof; and
 FIG. 12 is a side elevational view of my sofa base.



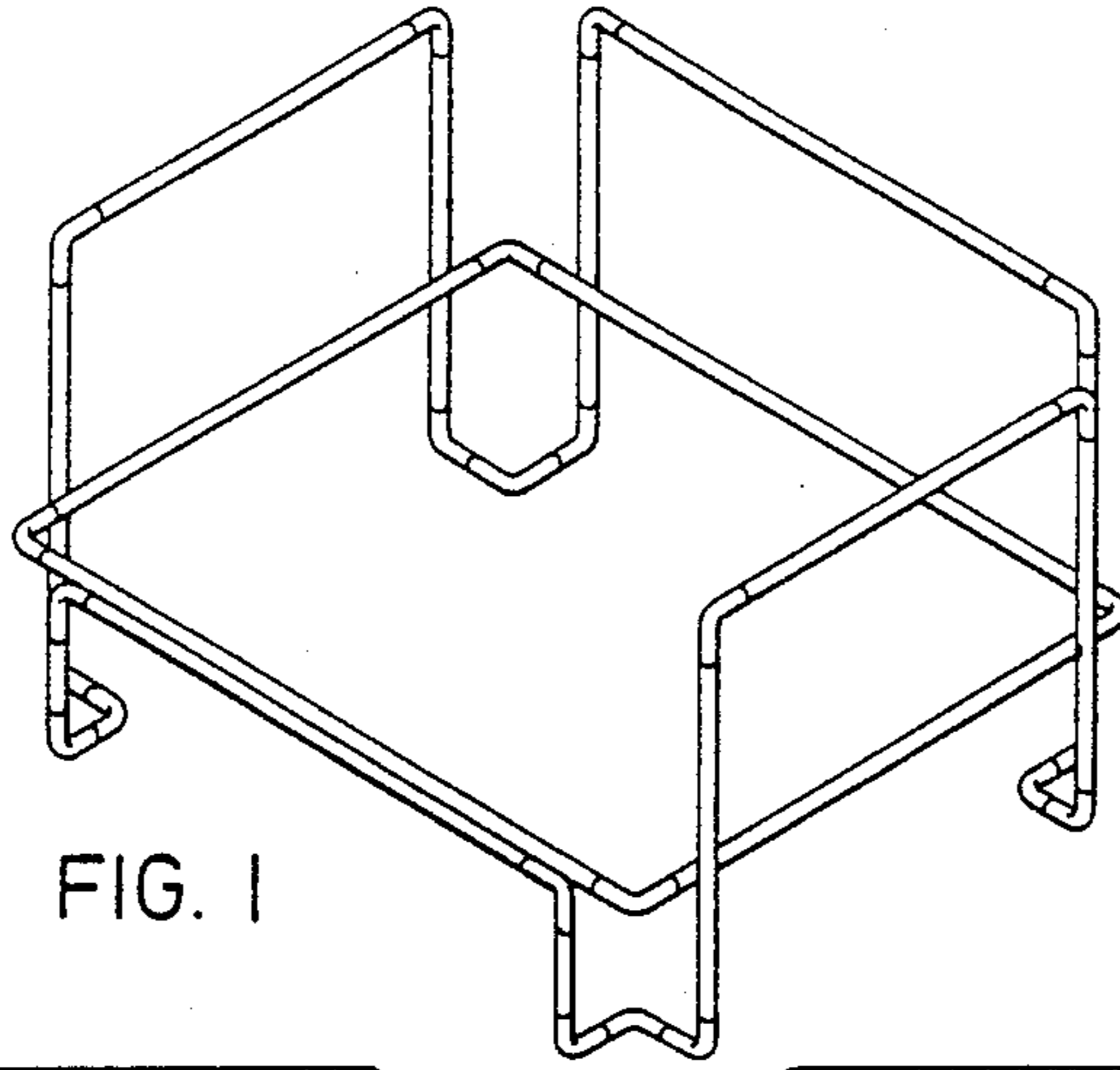


FIG. 1

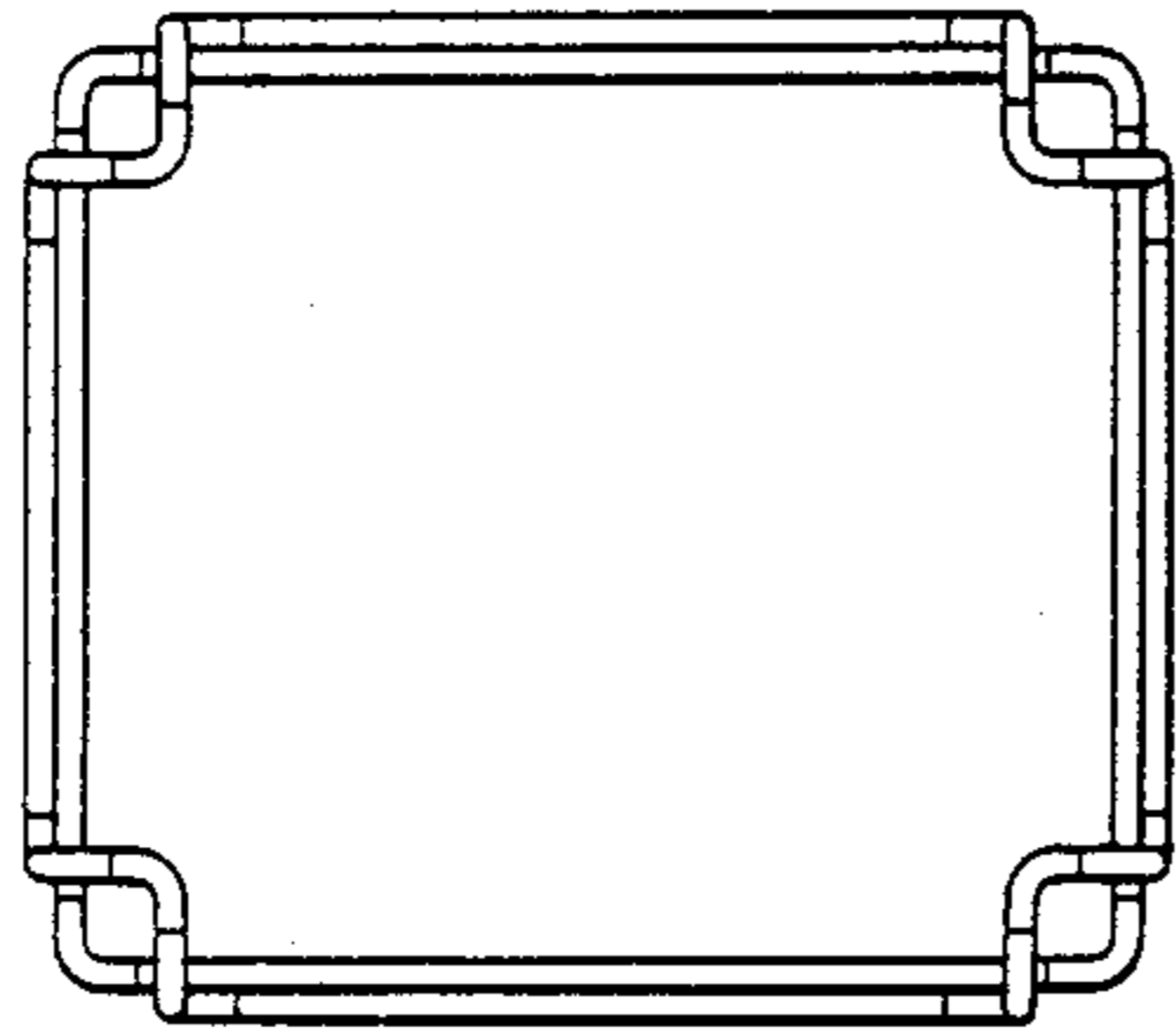


FIG. 2

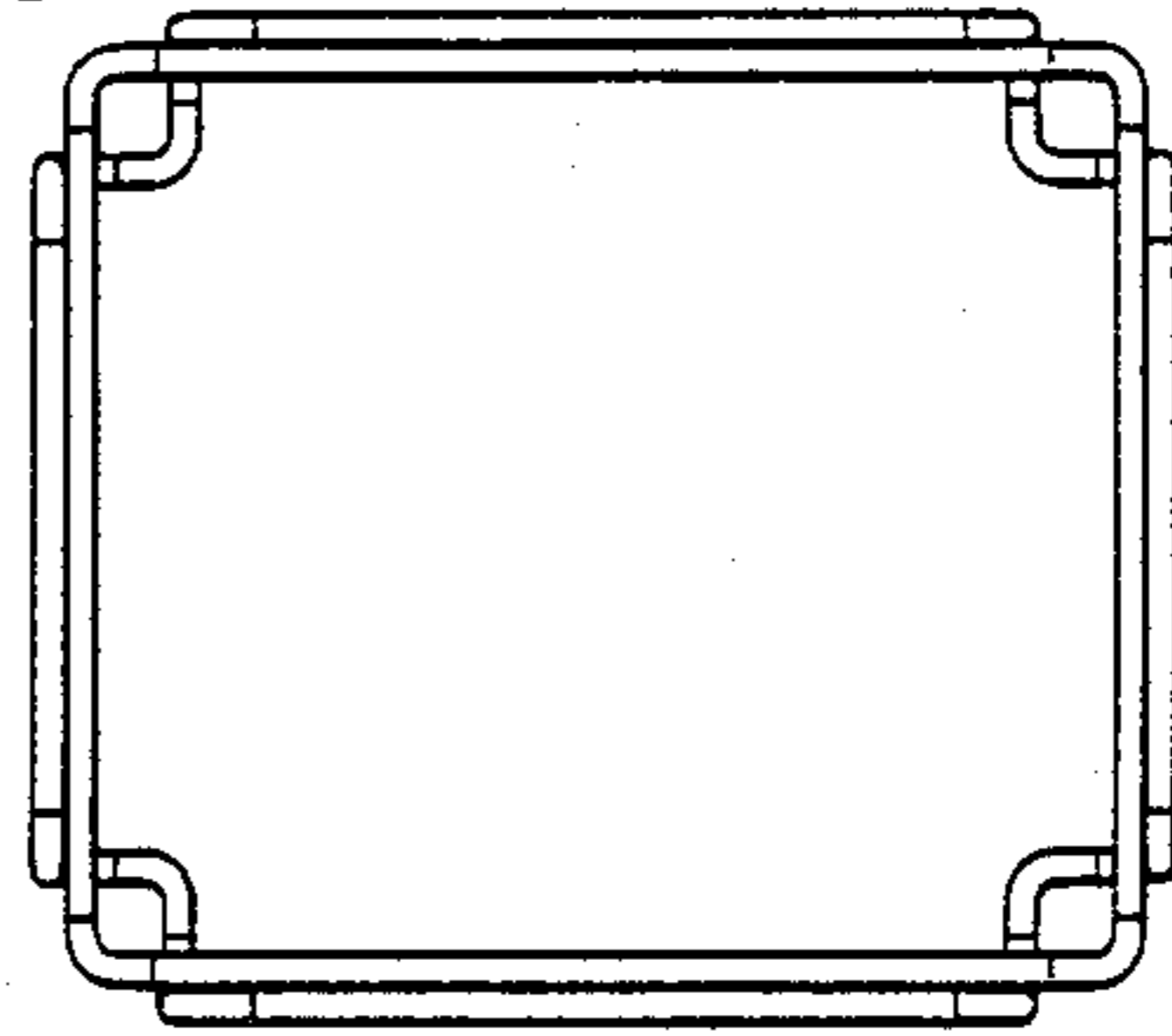


FIG. 3

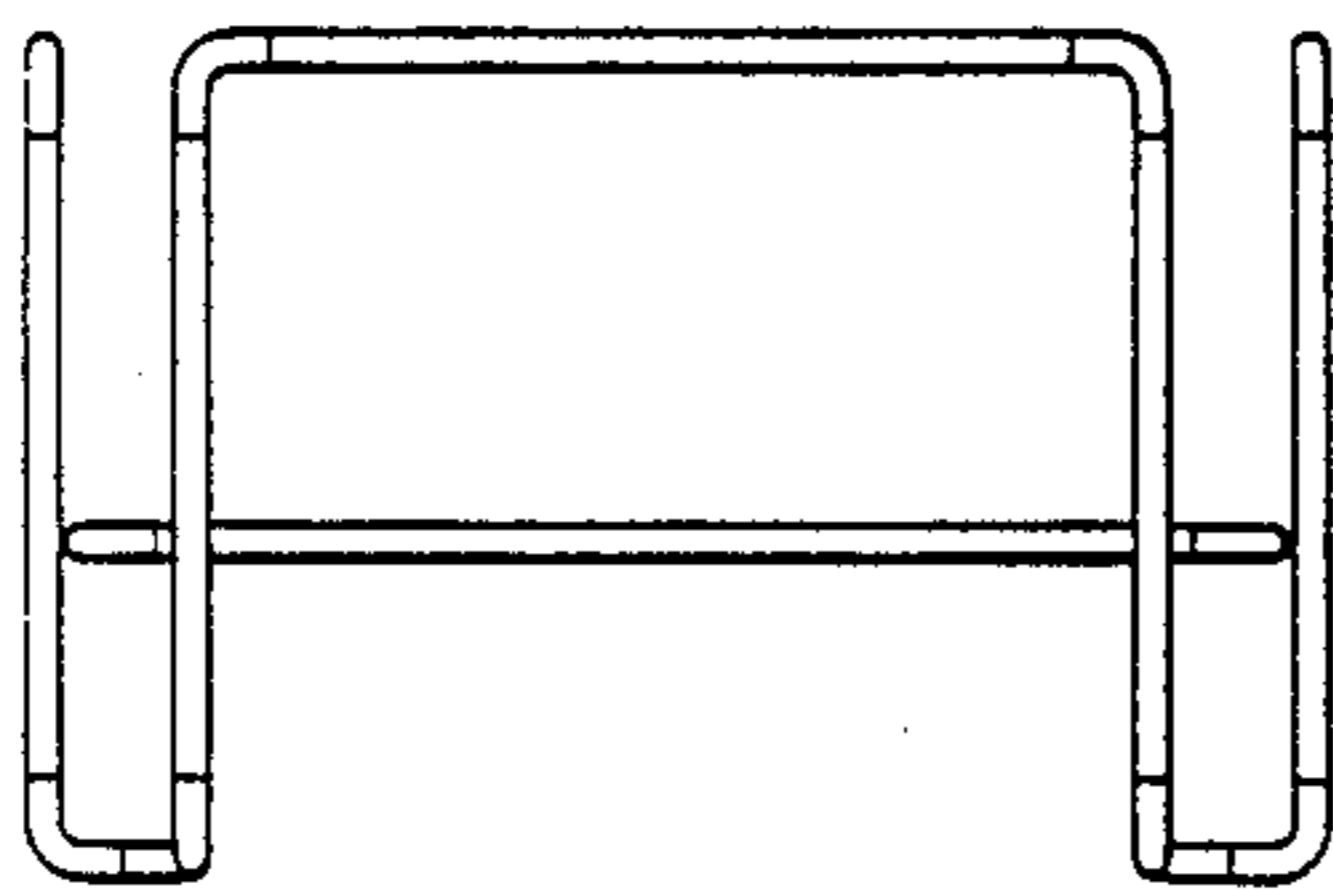


FIG. 4

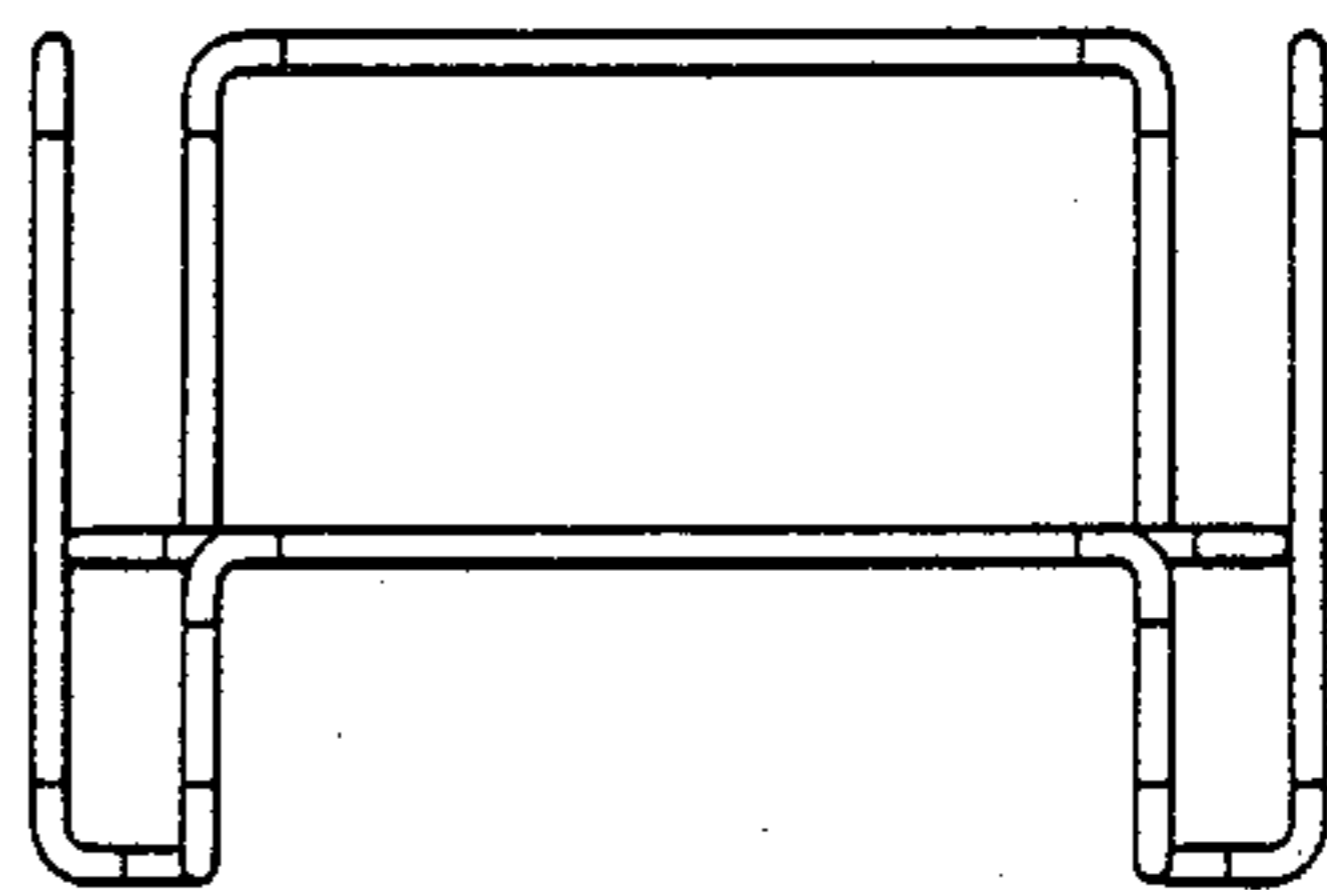


FIG. 5

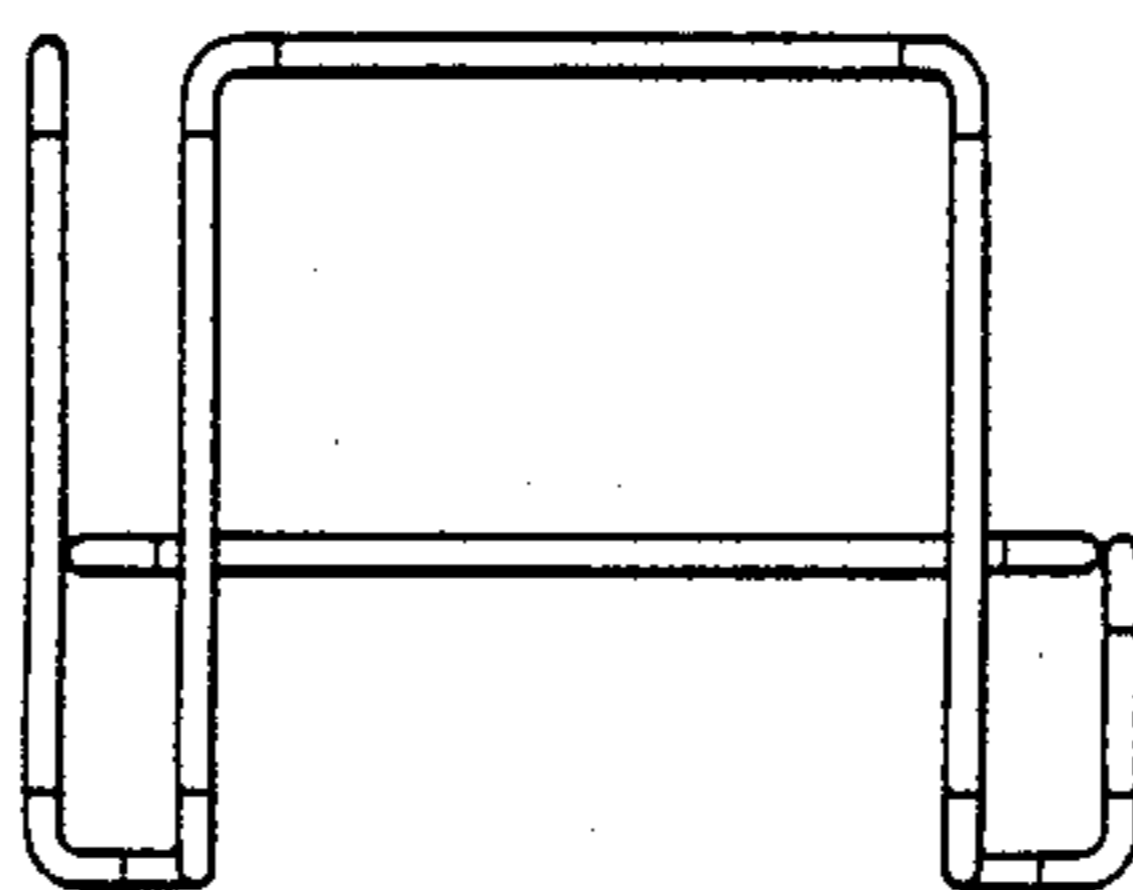


FIG. 6

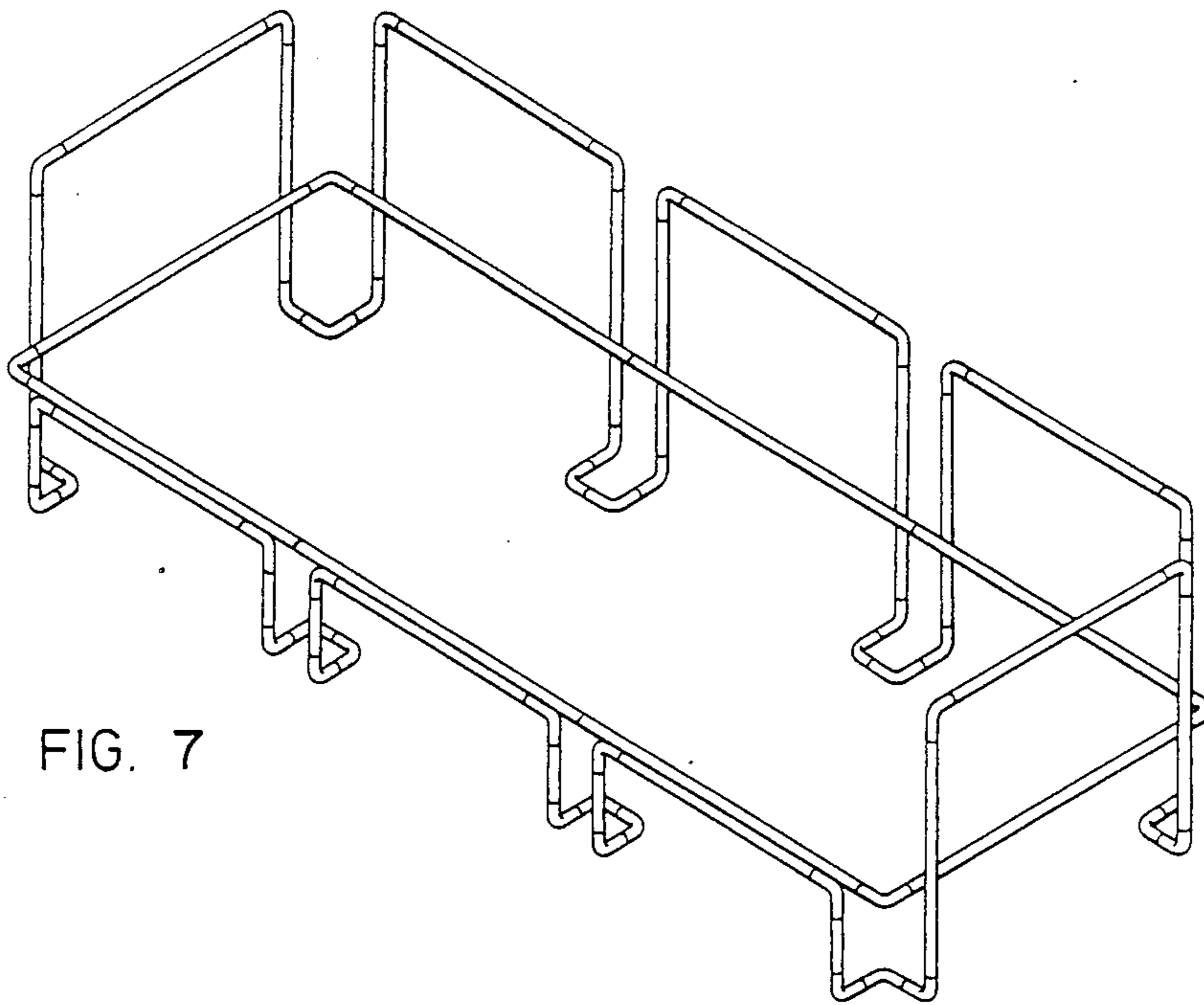


FIG. 7

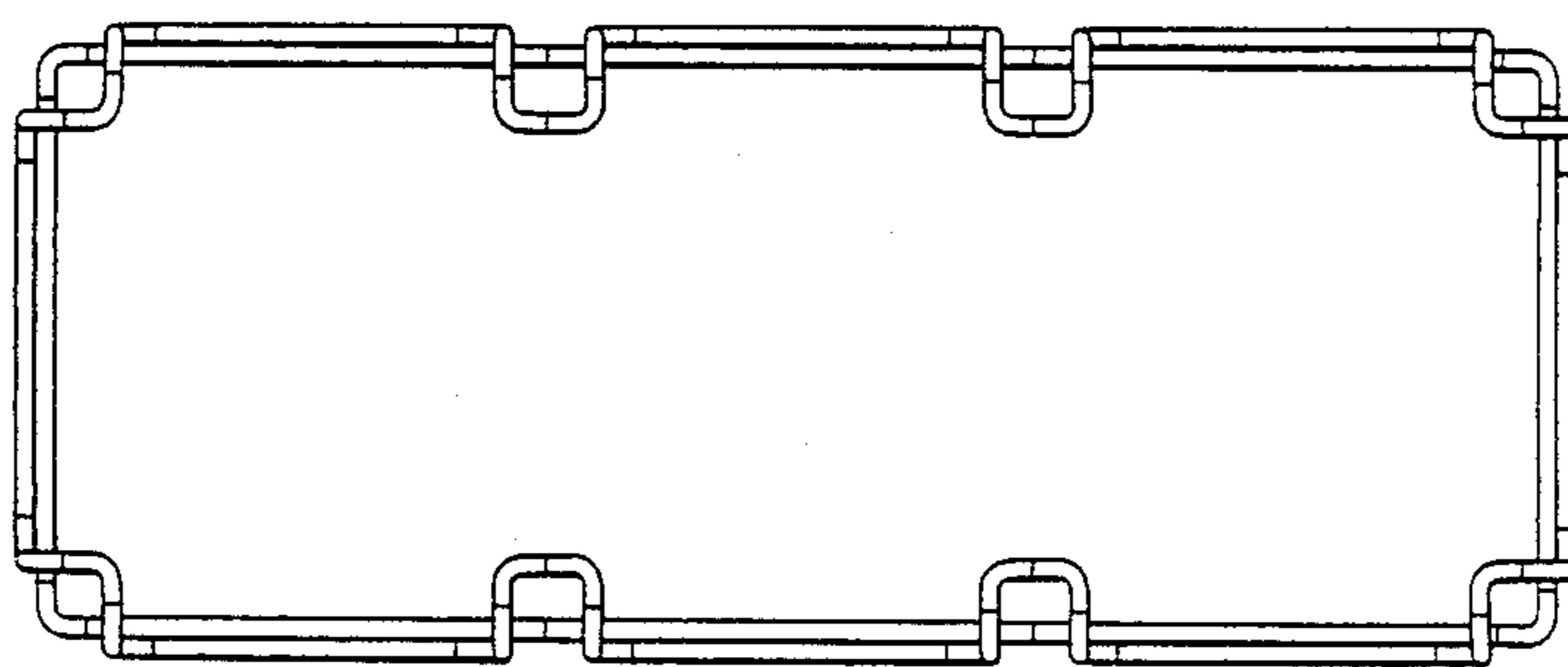


FIG. 8

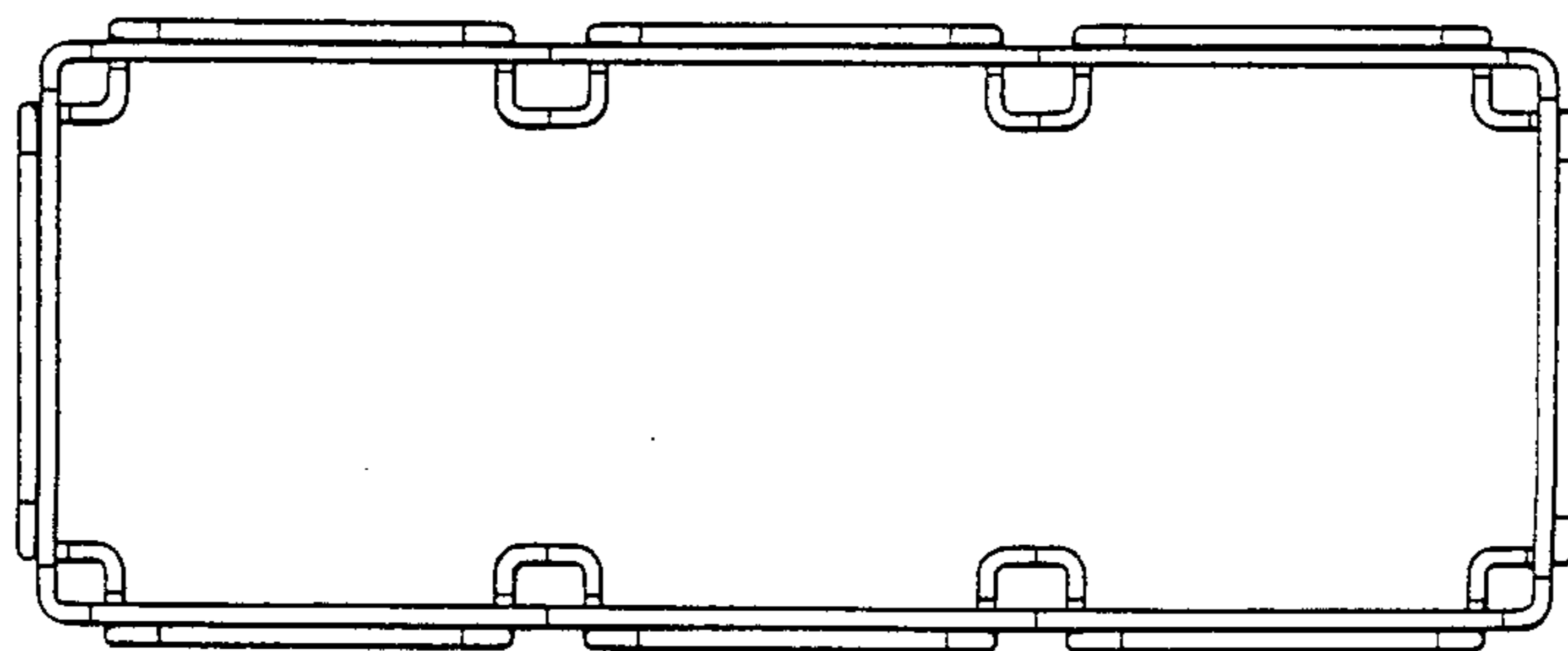


FIG. 9

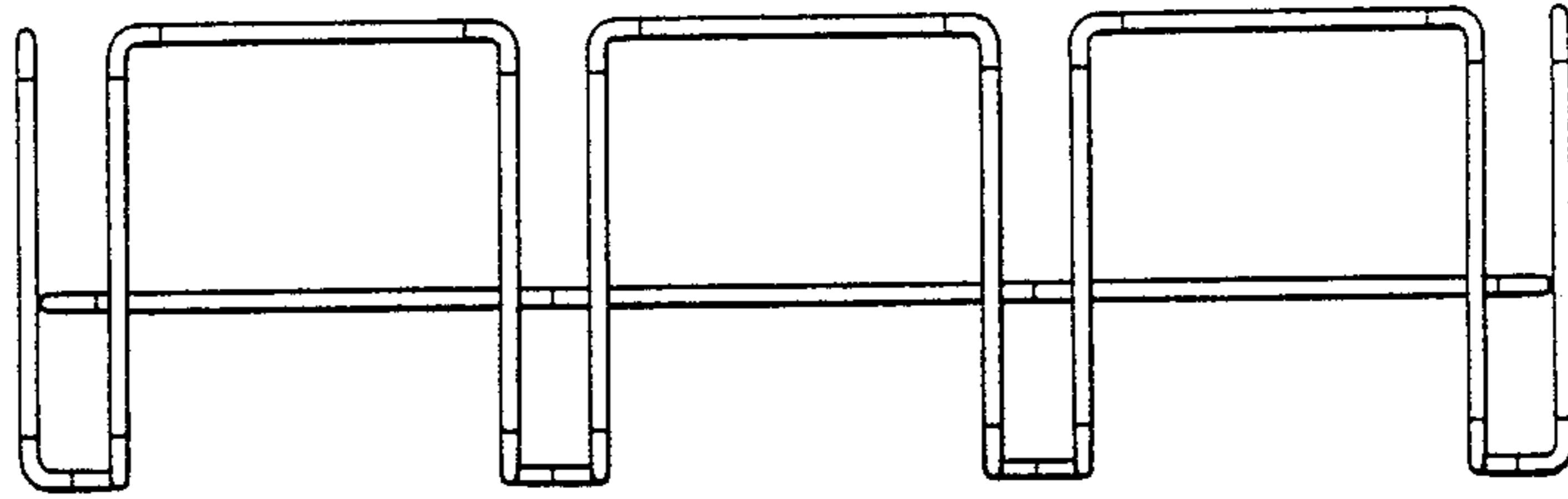


FIG. 10

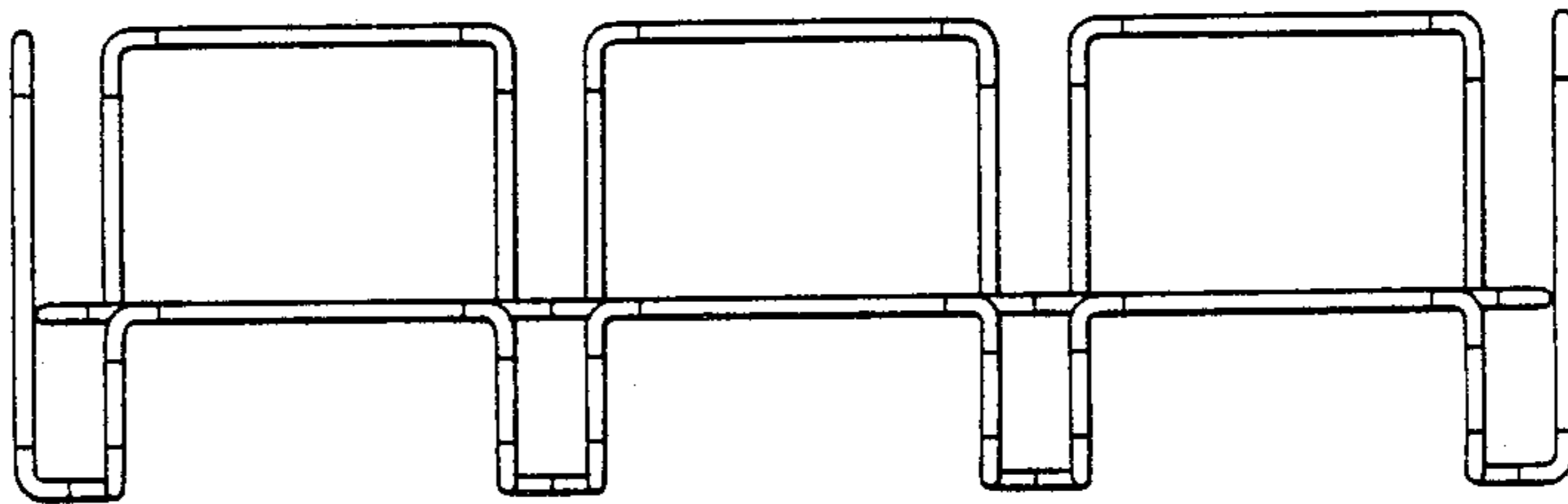


FIG. 11

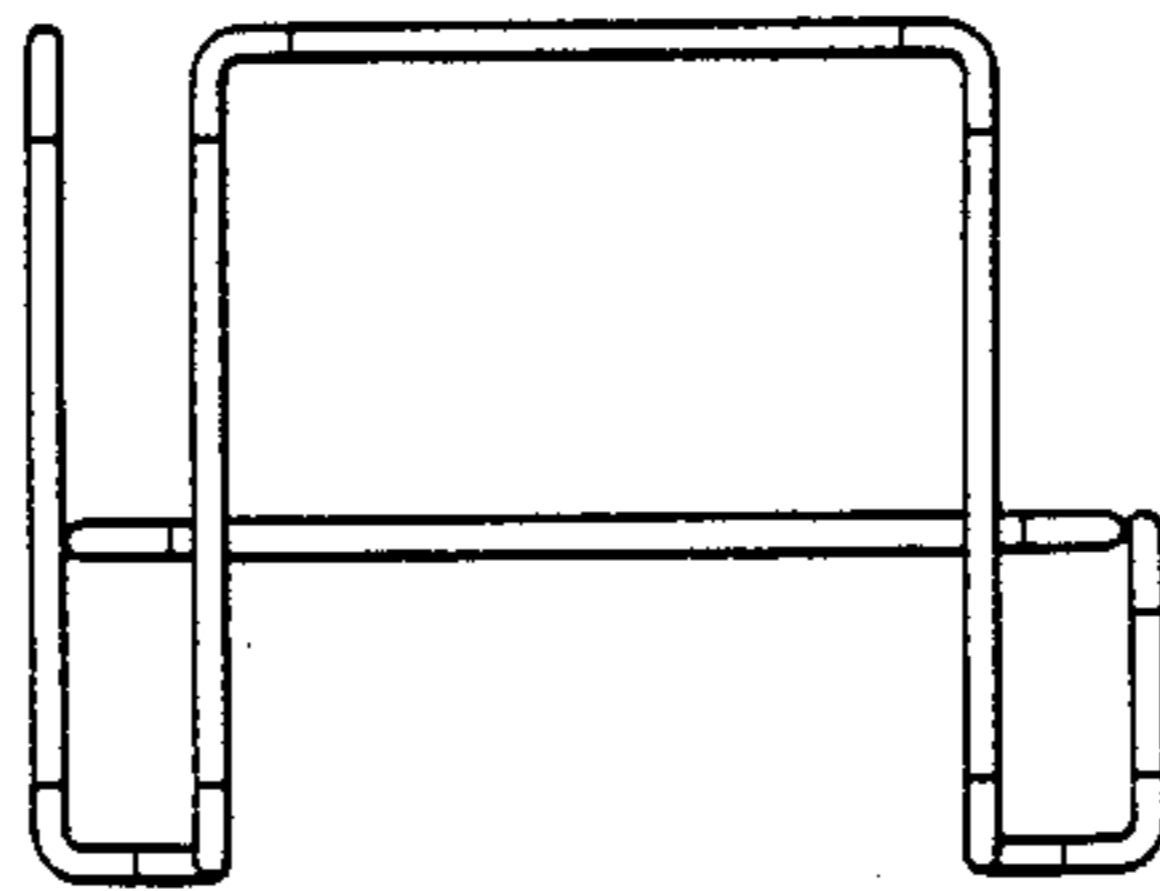


FIG. 12