

[54] TRAY TABLE

[75] Inventor: Charles R. Goetz, Carnegie, Pa.

[73] Assignee: Alco Industries, Inc., Valley Forge, Pa.

[**] Term: 14 Years

[21] Appl. No.: 757,269

[22] Filed: Jul. 22, 1985

[52] U.S. Cl. D6/449; D6/466; D6/475; D6/484

[58] Field of Search D6/449, 466, 475, 484; 108/115, 117; 211/147

[56] References Cited

U.S. PATENT DOCUMENTS

- D. 249,305 9/1978 Henninger D6/336
- D. 270,317 8/1983 Fleming D6/484
- D. 281,555 12/1985 Levy D6/429 X
- D. 286,479 11/1986 Marchesini D6/484
- 2,624,469 1/1953 Caldwell et al. 211/147

Primary Examiner—Bruce W. Dunkins

Attorney, Agent, or Firm—Webb, Burden, Robinson & Webb

[57] CLAIM

The ornamental design for a tray table, substantially as shown and described.

DESCRIPTION

FIG. 1 is a perspective view of a tray table showing my new design;

FIG. 2 is a top plan view thereof;

FIG. 3 is a bottom plan view thereof;

FIG. 4 is a perspective view of the tray table showing the bottom thereof;

FIG. 5 is an elevational view of one side of the tray table;

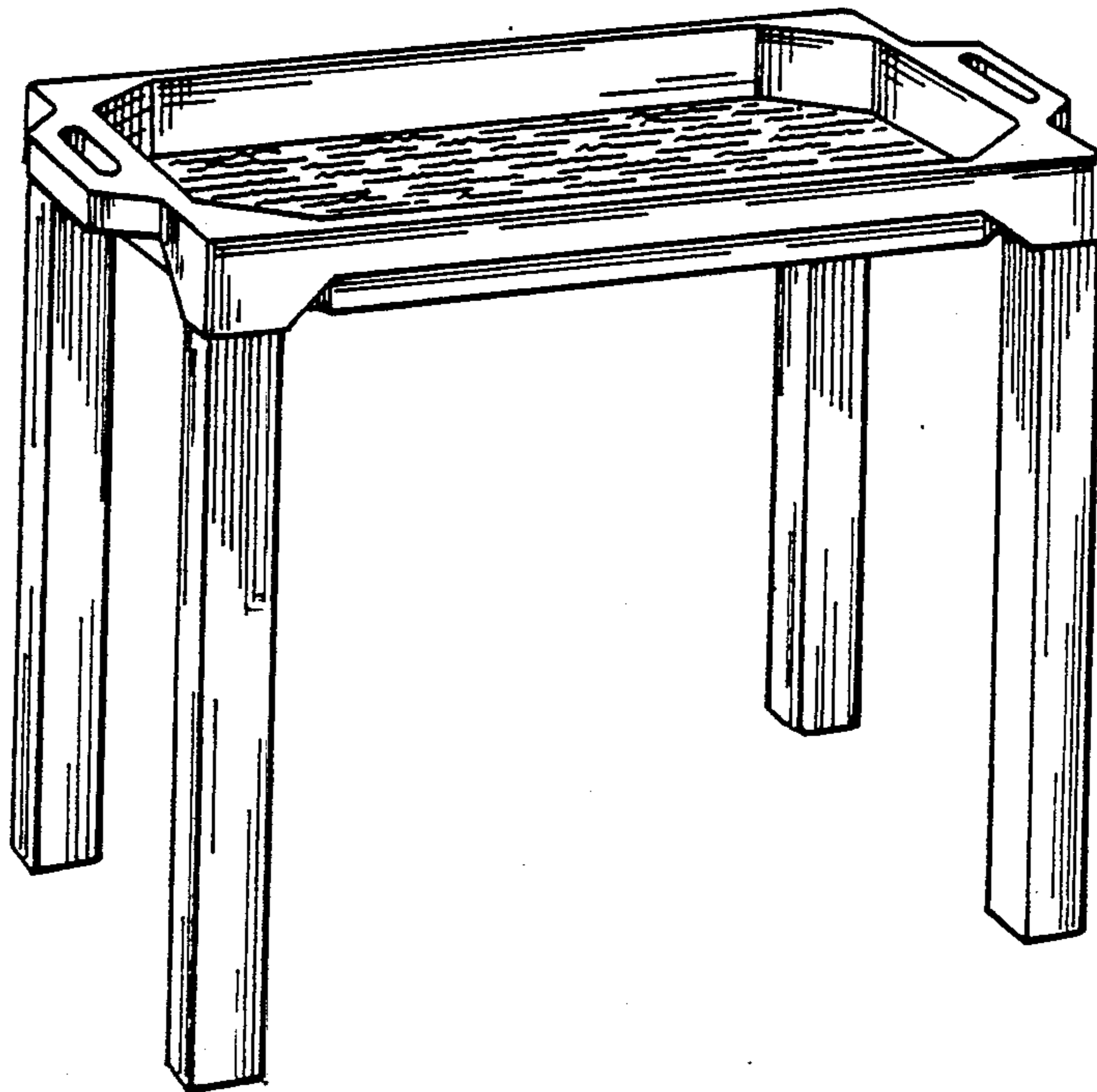
FIG. 6 is a sectional view taken along lines VI—VI of FIG. 2;

FIG. 7 is an elevational view of one end of the tray table; and

FIG. 8 is a sectional view taken along lines VIII—VIII of FIG. 2.

The opposite side and opposite end are identical to those shown in FIGS. 5 and 7, respectively.

Portions of the leg members have been broken away in FIGS. 6, 7 and 8 for convenience of illustration.



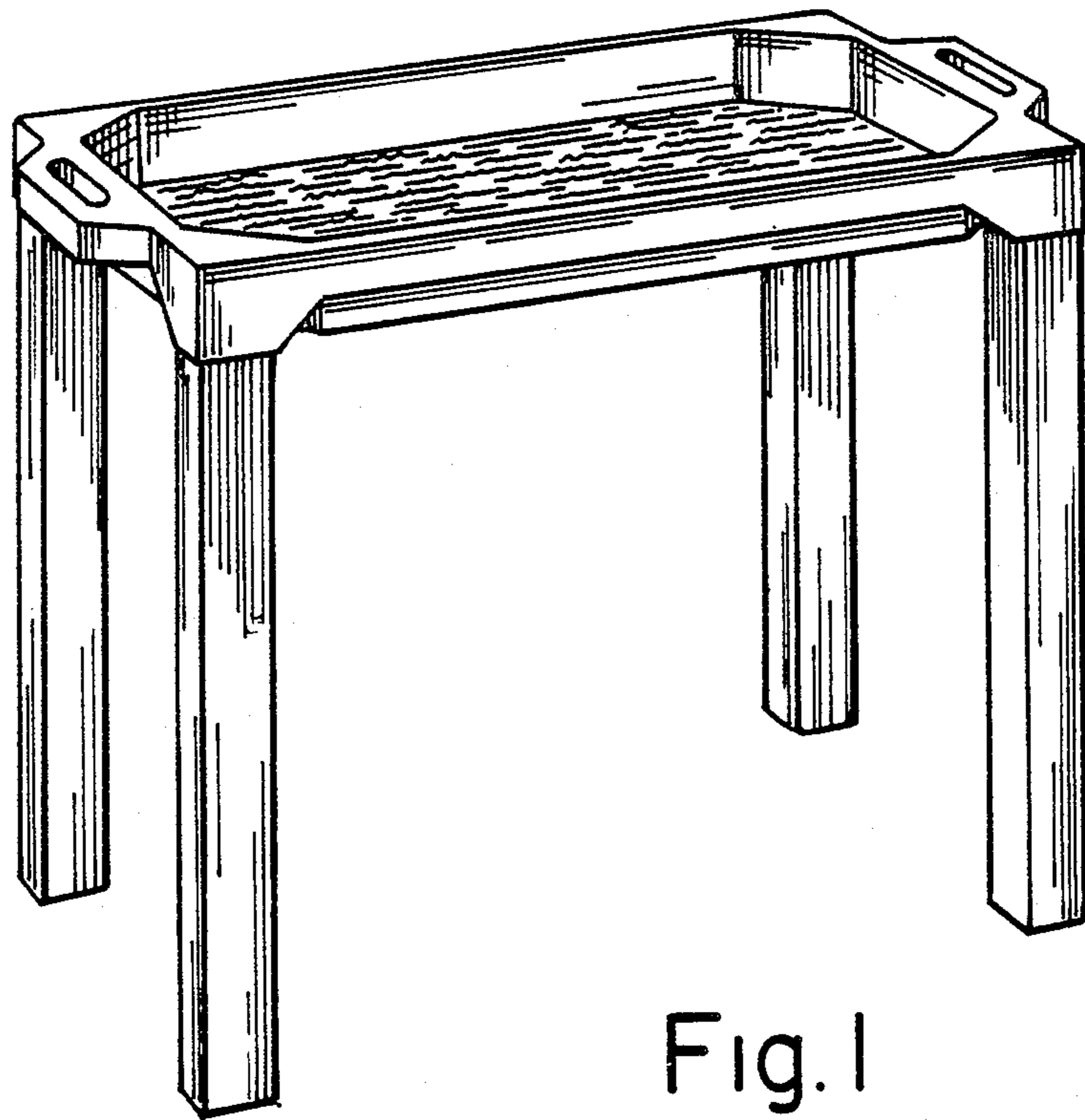


Fig. 1

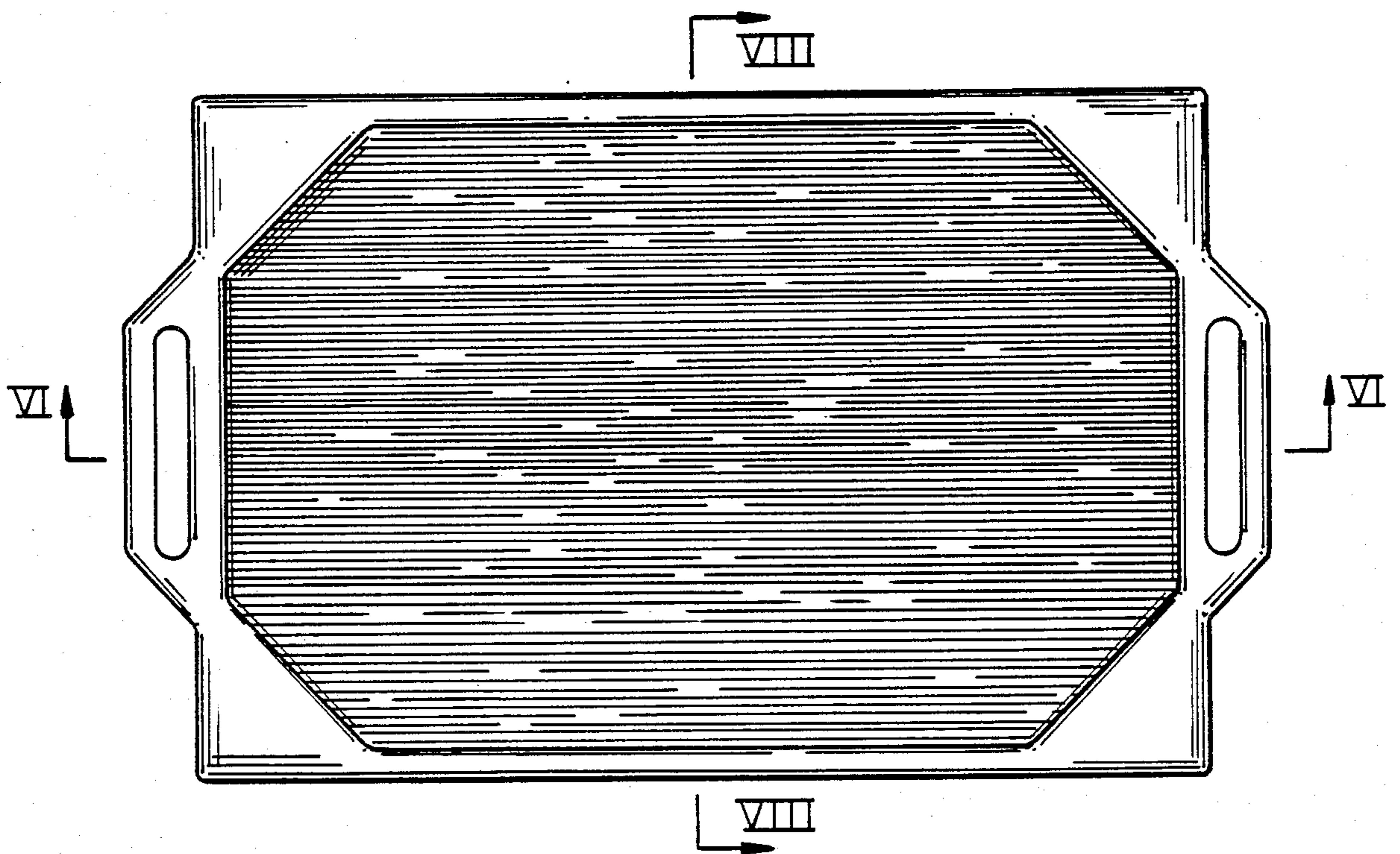


Fig. 2

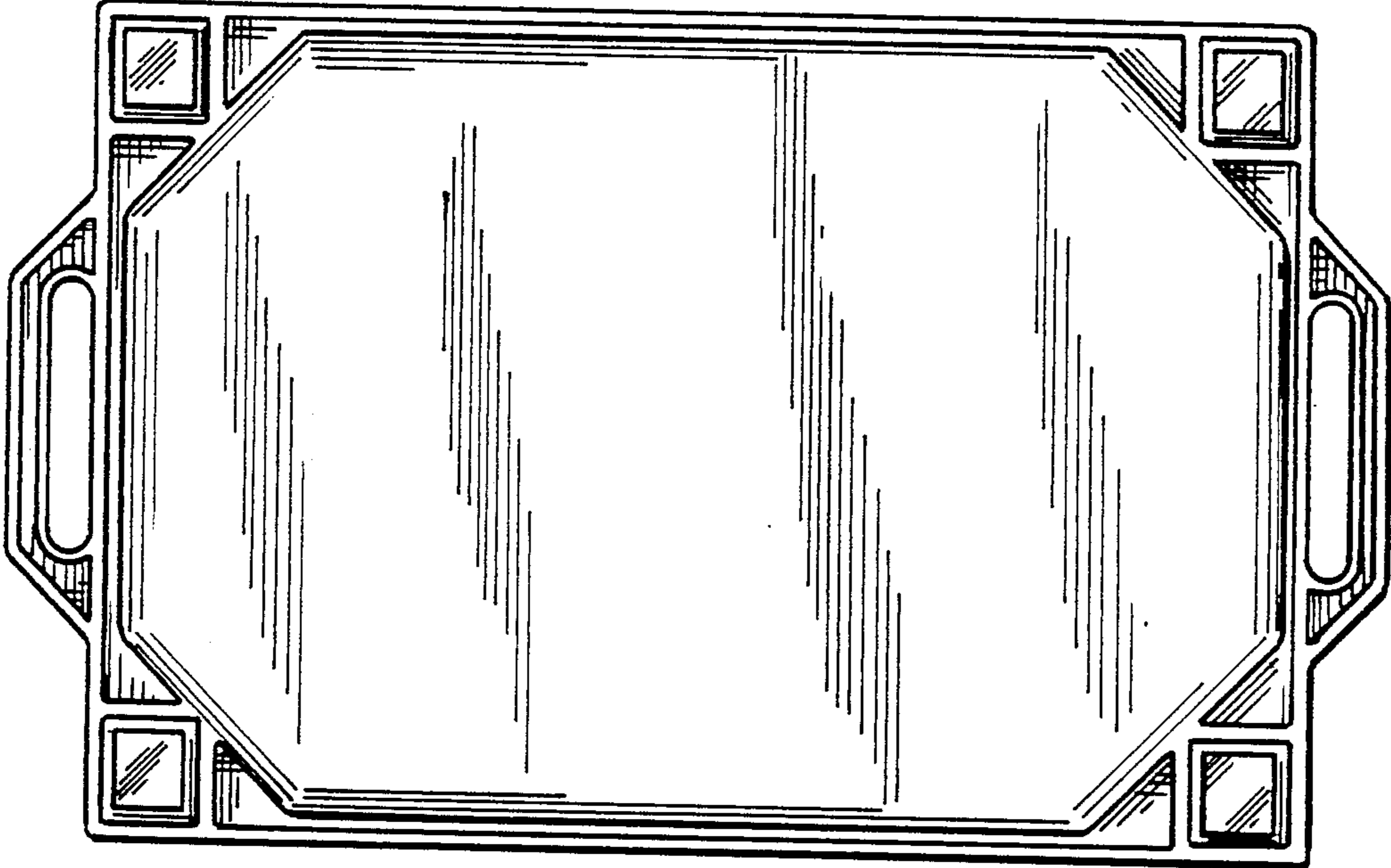


Fig. 3

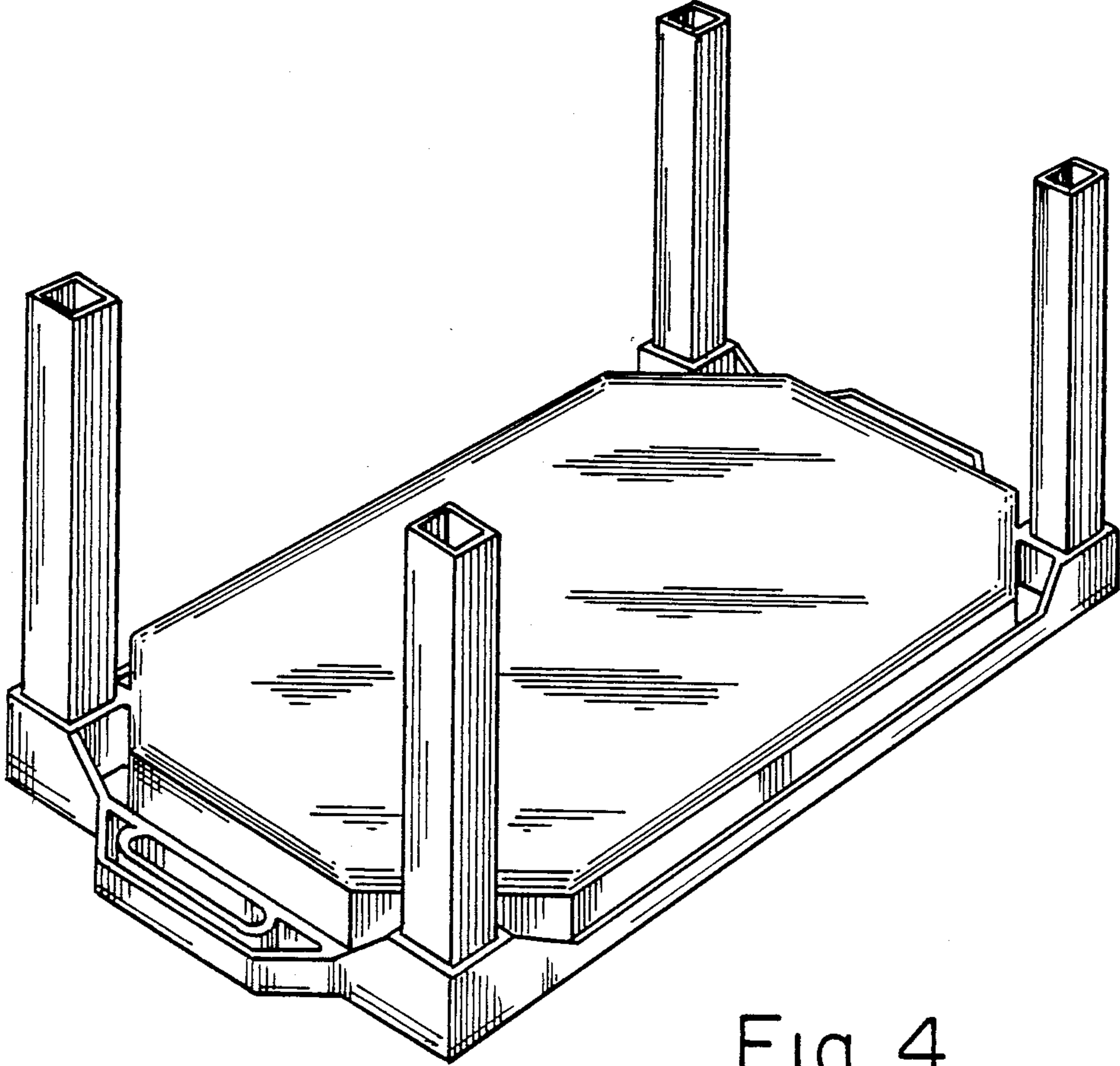


Fig. 4

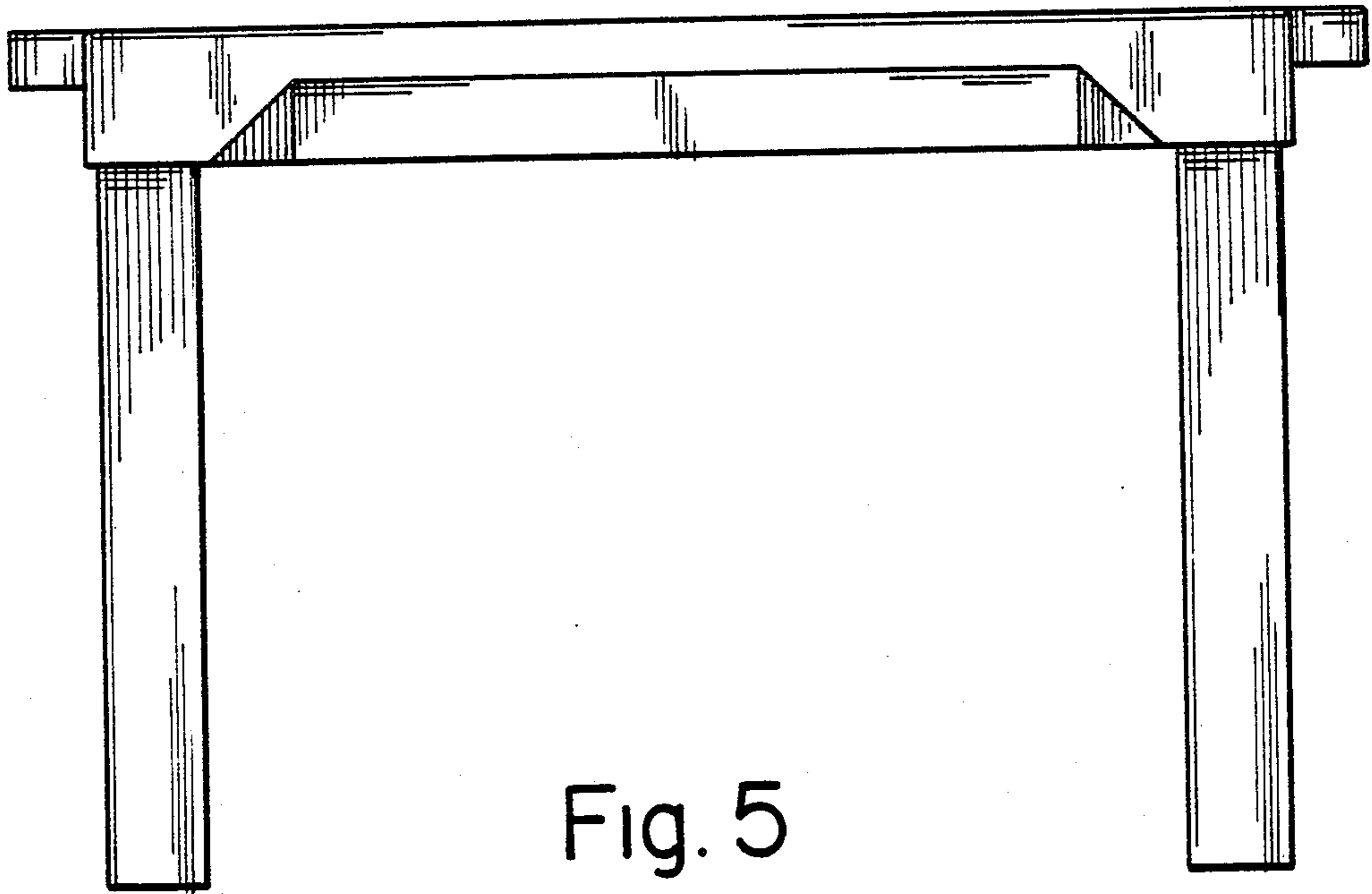


Fig. 5

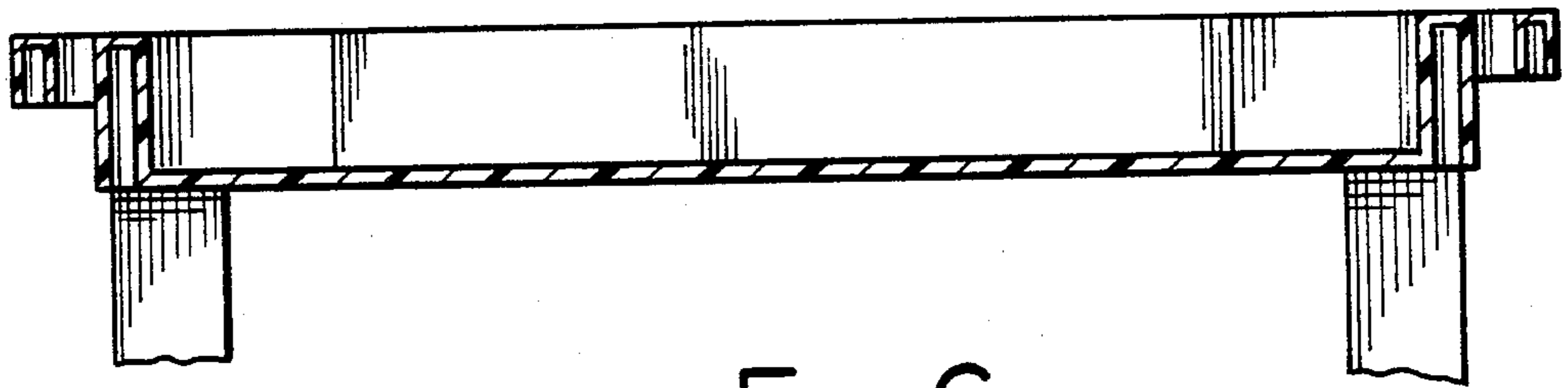


Fig. 6

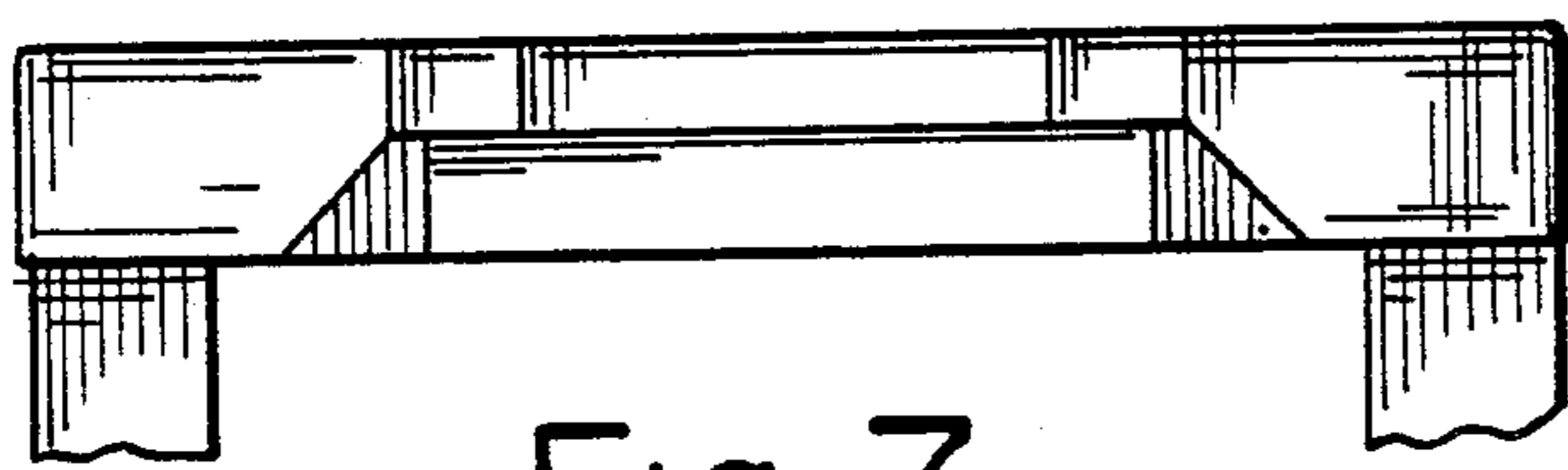


Fig. 7

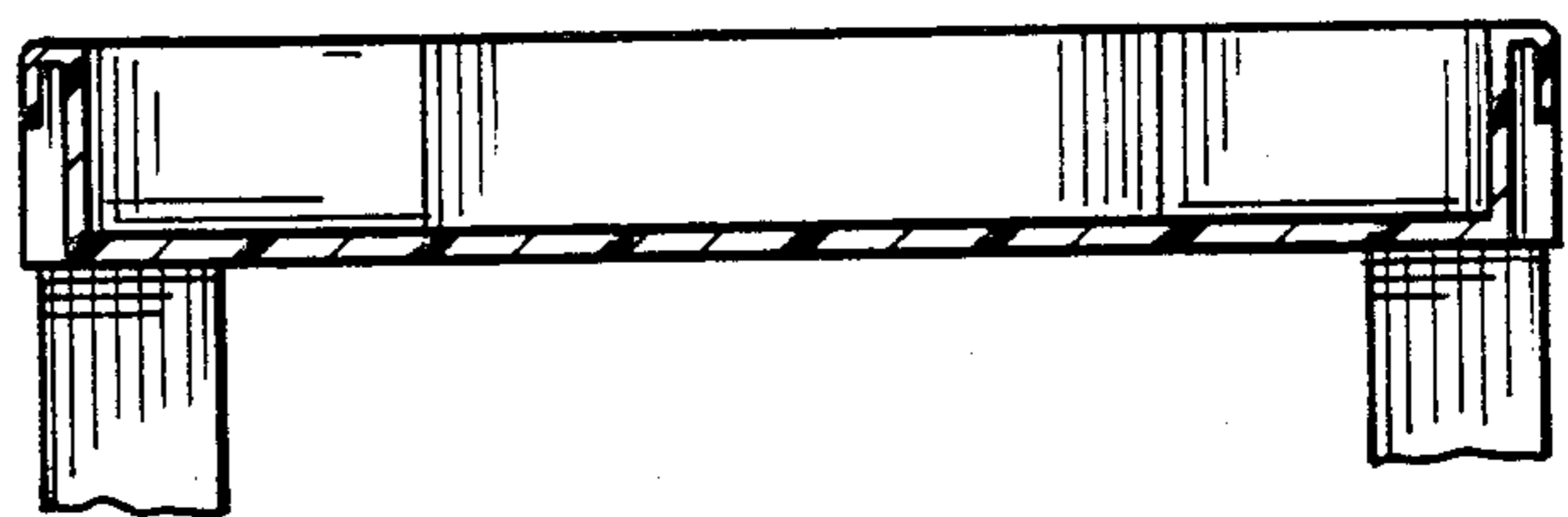


Fig. 8