

[54] DISPLAY CASE

[76] Inventor: Milton S. Rattner, 180 E. End Ave., New York, N.Y. 10128

[**] Term: 14 Years

[21] Appl. No.: 739,703

[22] Filed: May 31, 1985

[52] U.S. Cl. D6/440; D6/406; D6/420; D6/471

[58] Field of Search D6/406, 419, 420, 440, D6/470, 471; D19/91; D3/78; 312/114

[56] References Cited

U.S. PATENT DOCUMENTS

- D. 167,948 10/1952 McKenna D6/419 X
- D. 215,943 11/1969 Grainer D6/406
- D. 218,980 10/1970 Balkus D6/406
- D. 225,479 12/1972 Zottola D6/407

- D. 252,401 7/1979 Heintz D19/91 X
- D. 254,110 2/1980 Stanley D6/419
- D. 278,495 4/1985 Rattner D6/440 X
- 4,538,861 9/1985 Hughes, Jr. D6/419 X
- 4,577,788 3/1986 Richardson D6/419 X

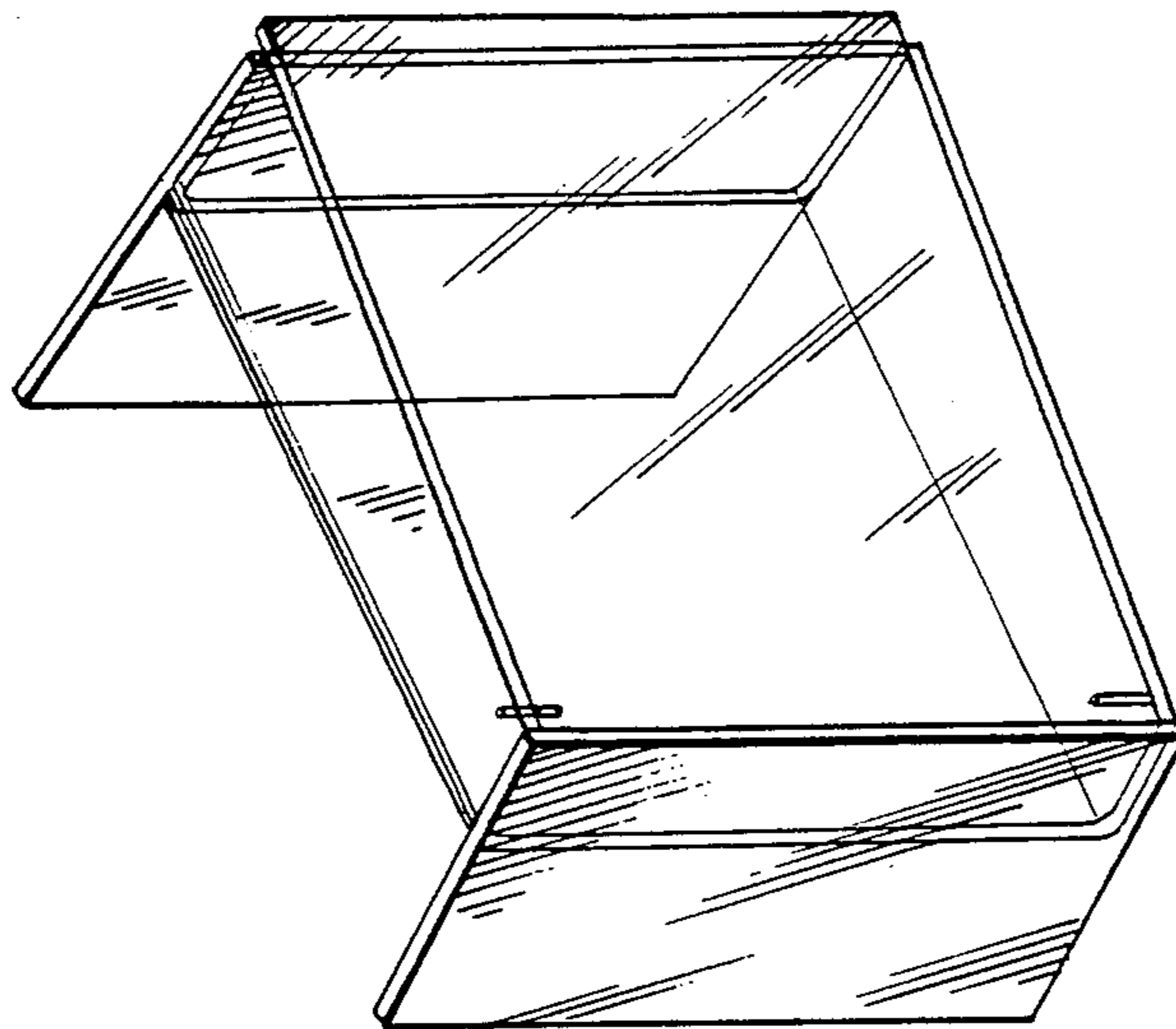
Primary Examiner—Carmen H. Vales
Attorney, Agent, or Firm—Paul J. Sutton

[57] CLAIM

The ornamental design for a display case, substantially as shown.

DESCRIPTION

FIG. 1 is a perspective view of a display case showing my new design;
 FIG. 2 is a top plan view thereof,
 FIG. 3 is a front elevational view thereof;
 FIG. 4 is a right side elevational view thereof;
 FIG. 5 is a rear elevational view thereof; and
 FIG. 6 is a bottom plan view thereof.



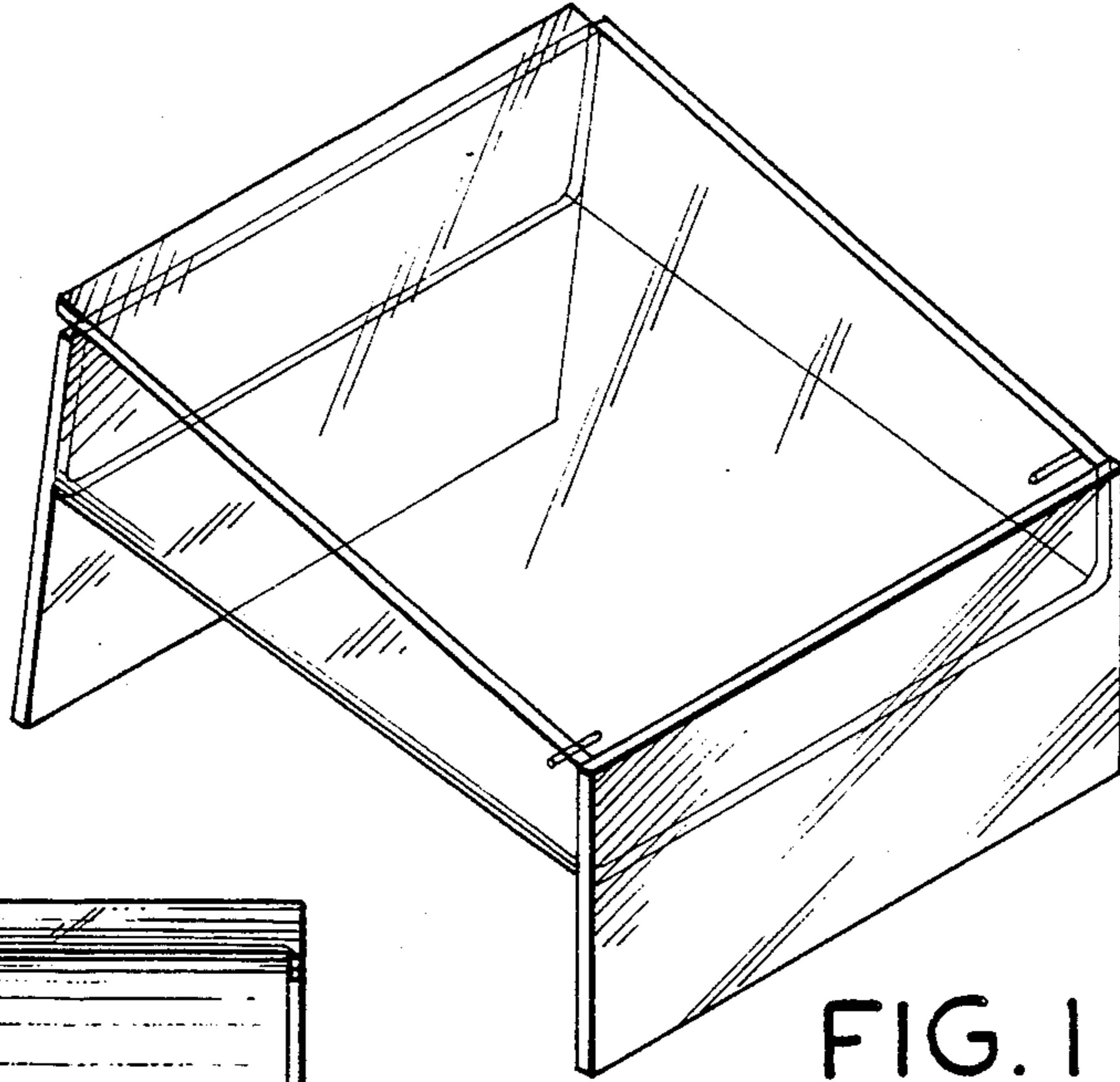


FIG. 1

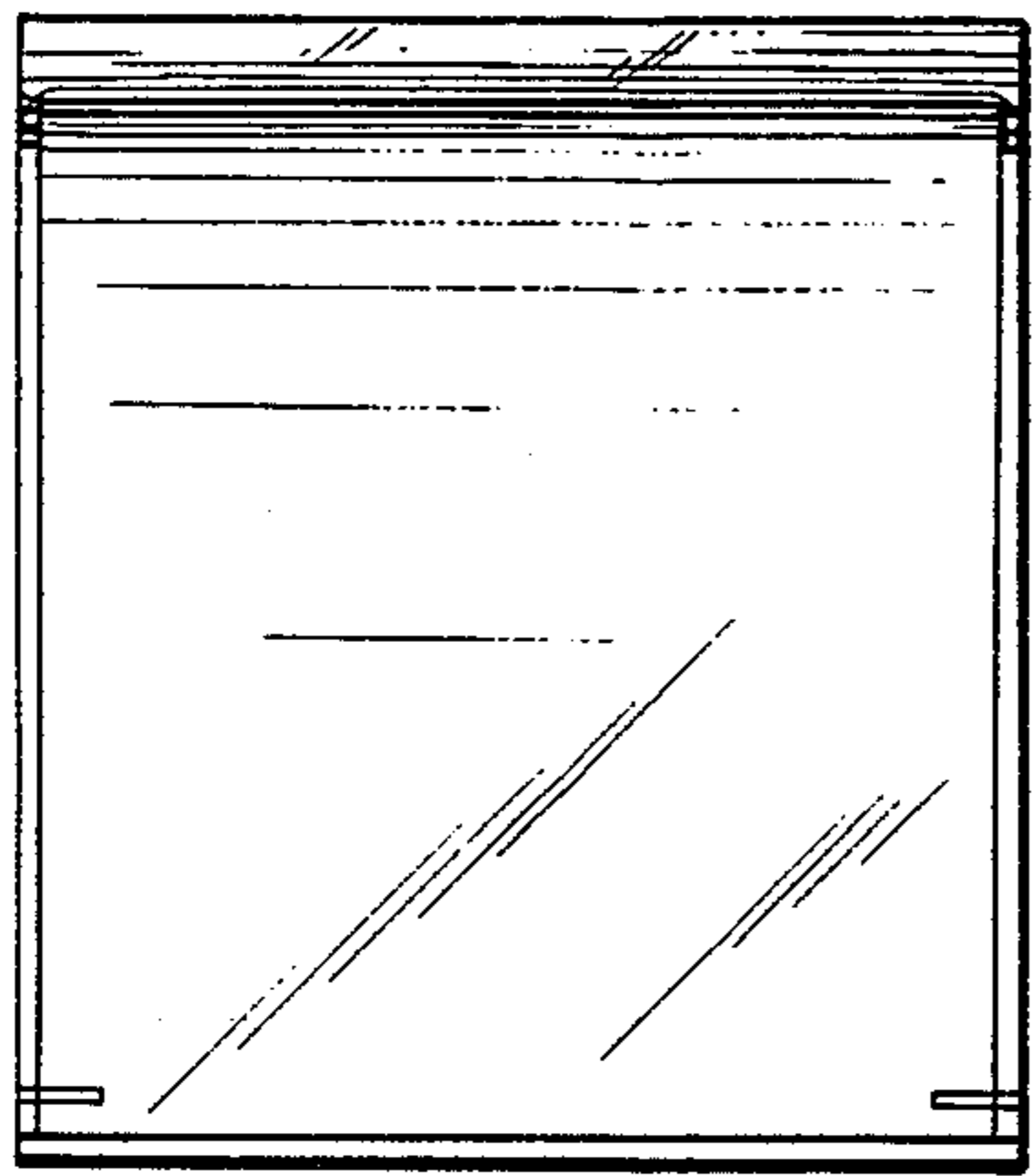


FIG. 2

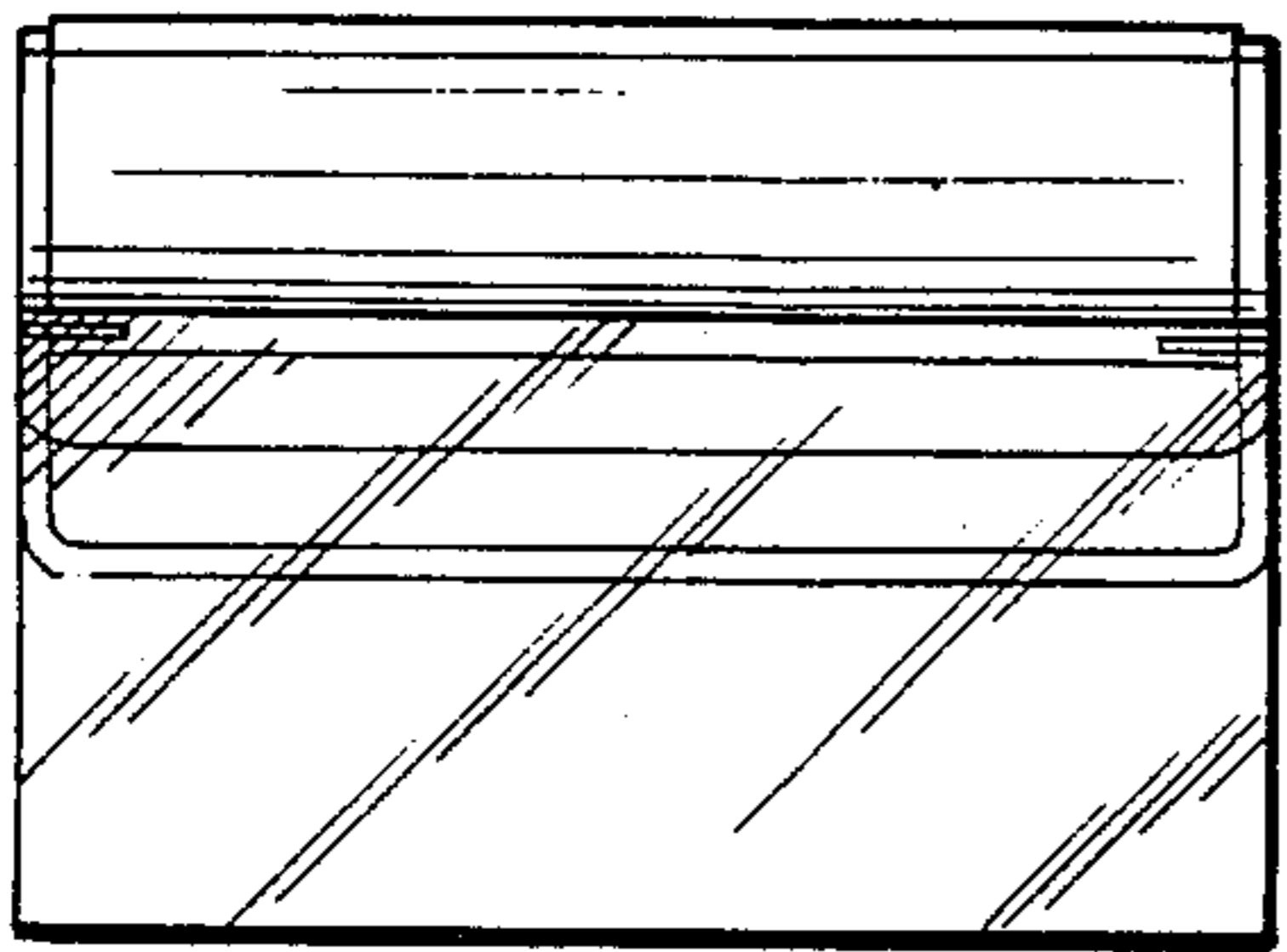


FIG. 3

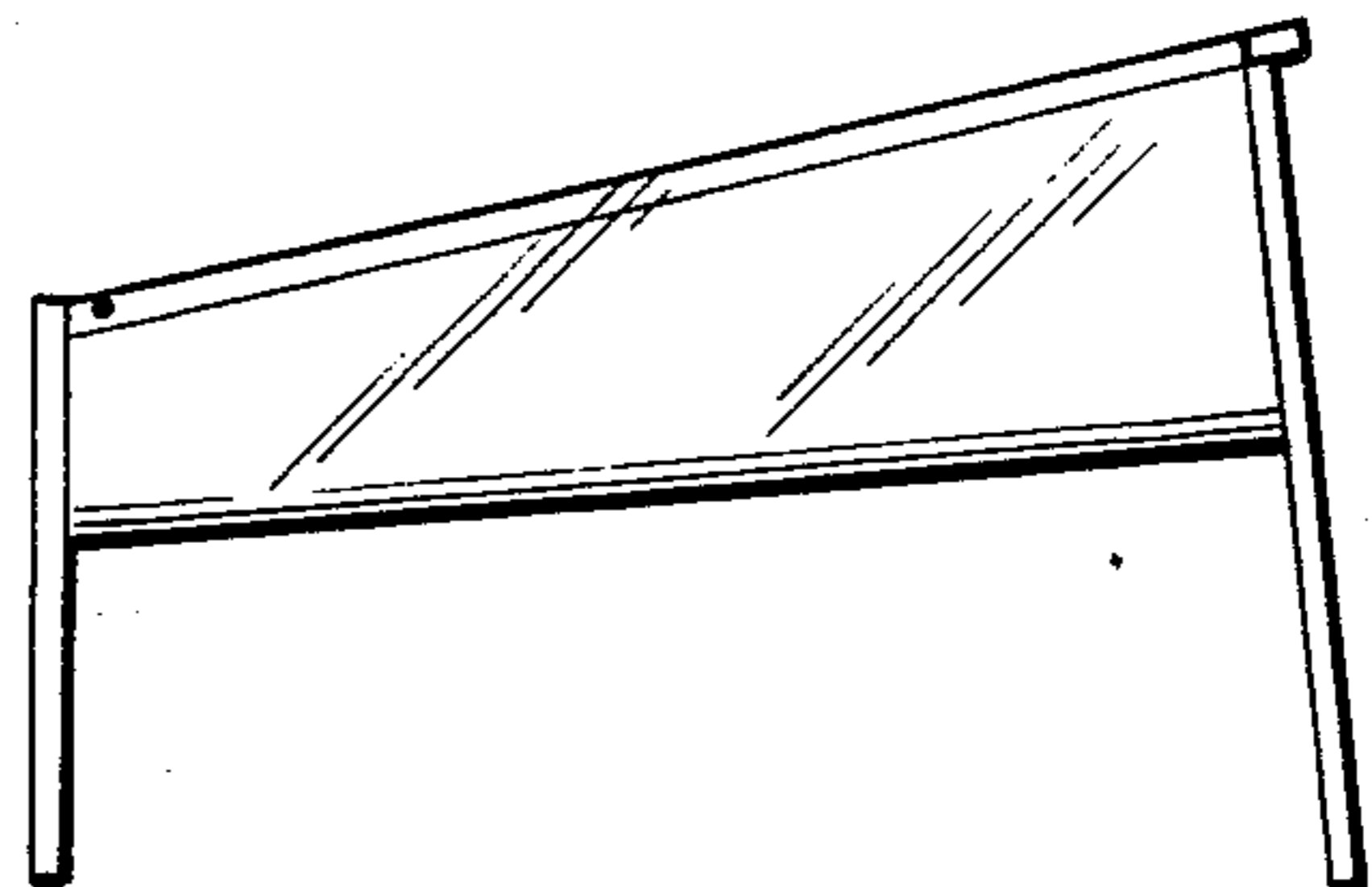


FIG. 4

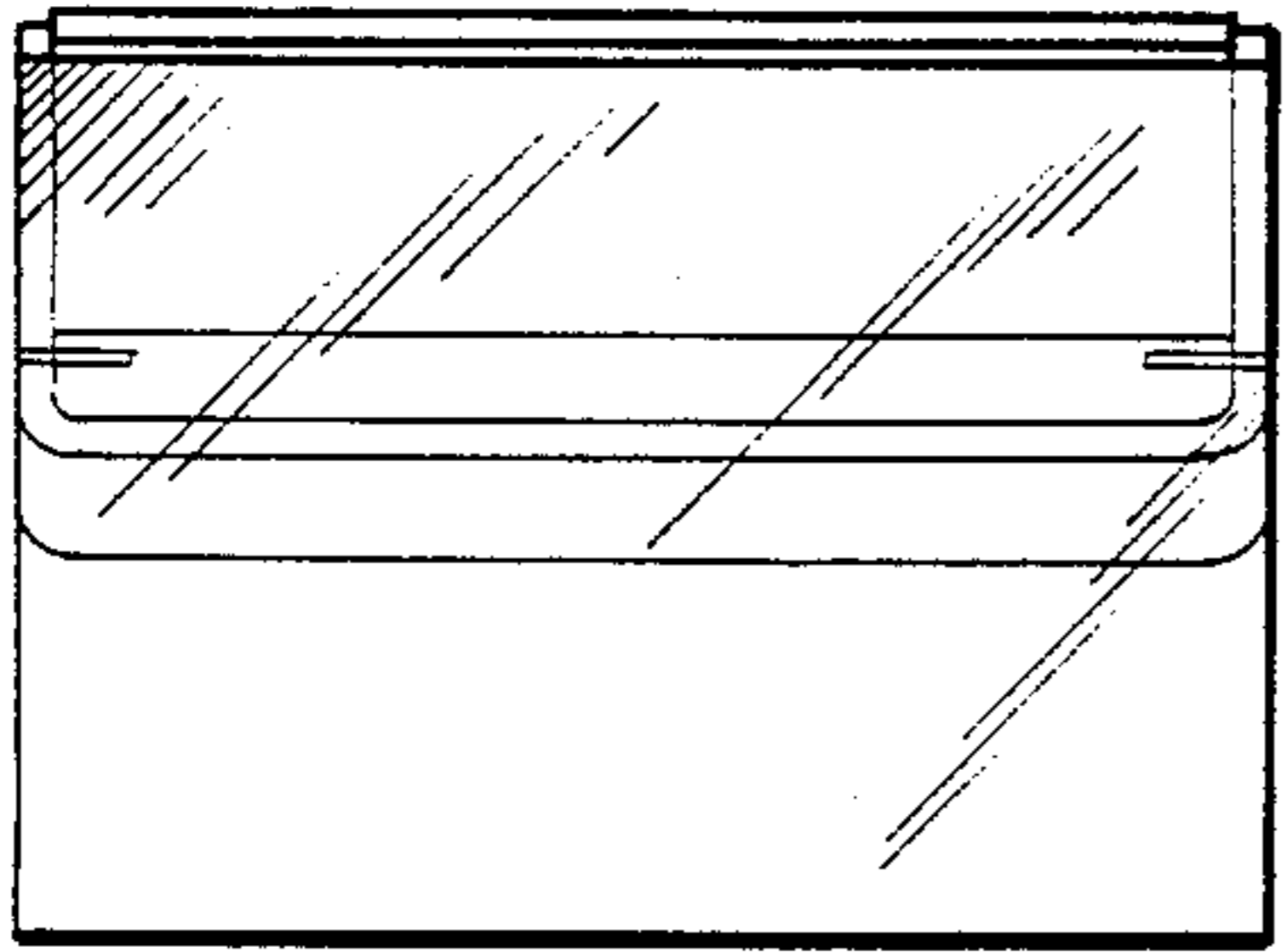


FIG. 5

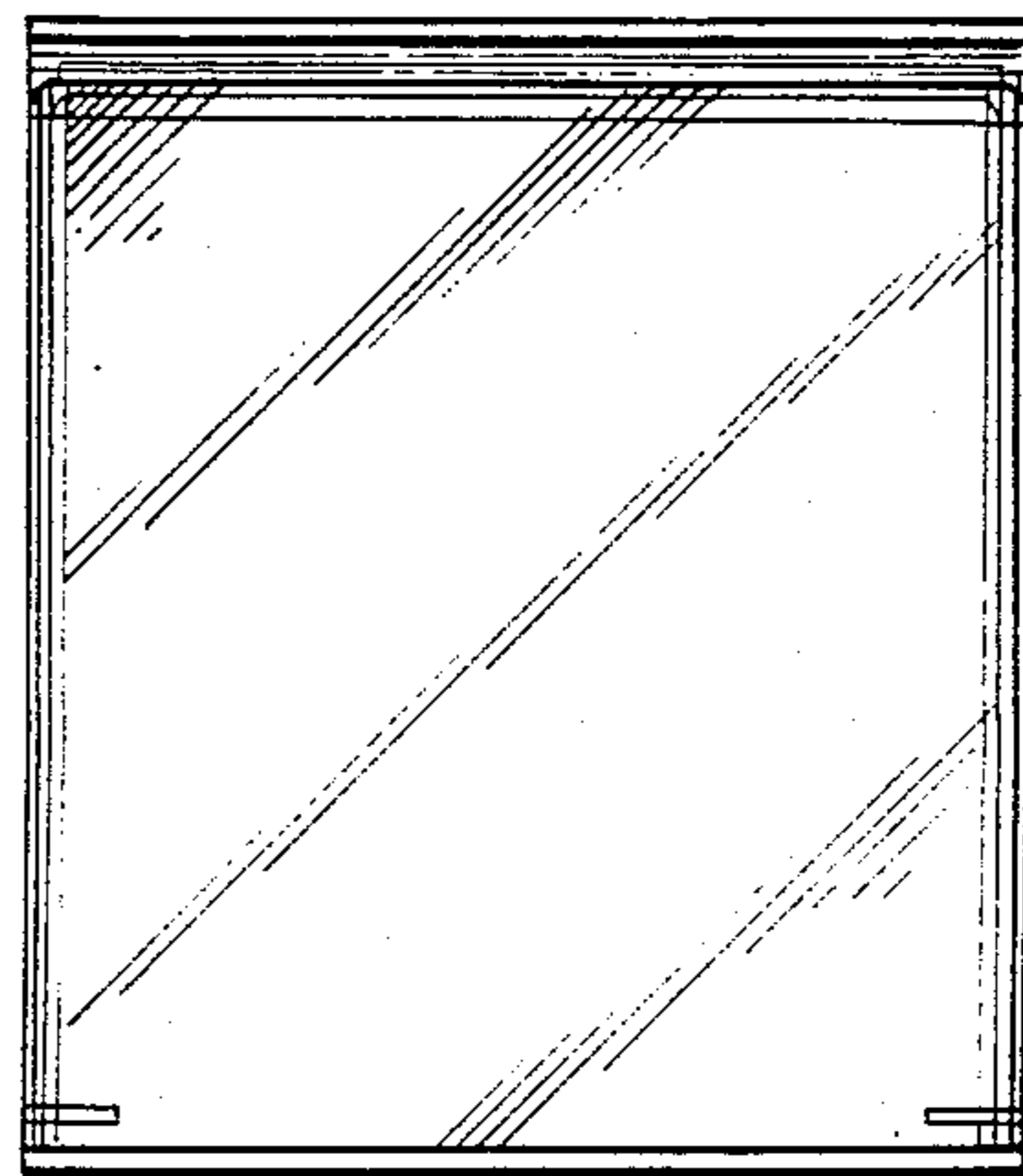


FIG. 6