

[54] COMBINED COOLER AND SEAT UNIT

[76] Inventor: Guy A. Capocasa, 1519 Reaney, St. Paul, Minn. 55106

[**] Term: 14 Years

[21] Appl. No.: 725,771

[22] Filed: Apr. 22, 1985

[52] U.S. Cl. D6/336; D7/77

[58] Field of Search D6/336, 349, 335; D7/77; 297/17

[56] References Cited

U.S. PATENT DOCUMENTS

- D. 197,558 2/1964 Sokolis D6/336
- D. 200,309 2/1965 Sokolis D6/336
- D. 240,781 8/1976 Kohler D6/336
- D. 250,860 1/1979 Castro D6/349 X
- D. 259,320 5/1981 Tarozzi D7/77

- D. 274,581 7/1984 Gallock D6/336
- 2,989,115 6/1961 Egles D6/336 X

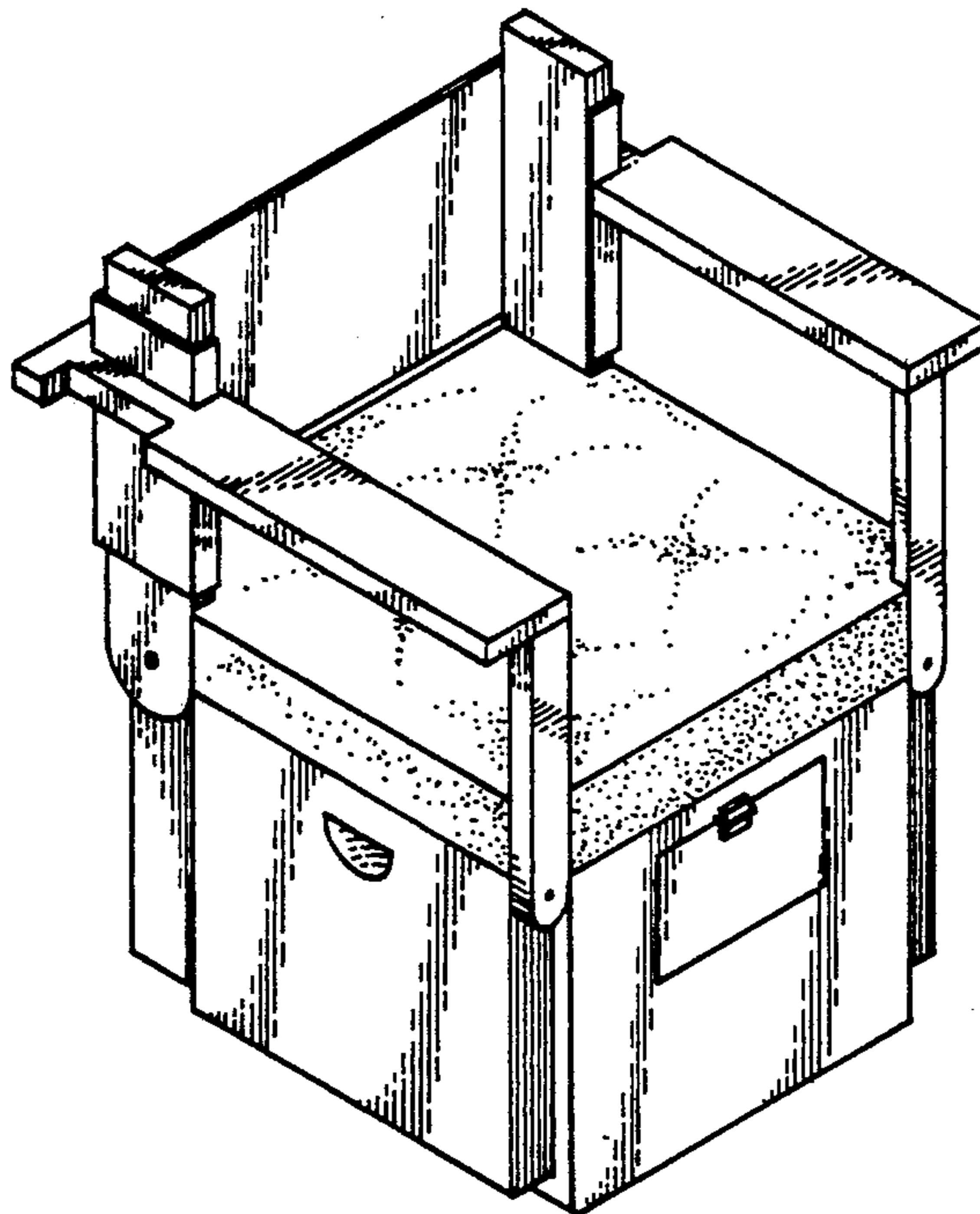
Primary Examiner—Bruce W. Dunkins
Attorney, Agent, or Firm—Gilden & Israel

[57] CLAIM

The ornamental design for a combined cooler and seat unit, as shown and described.

DESCRIPTION

FIG. 1 is a front perspective view of a combined cooler and seat unit showing my new design;
 FIG. 2 is a rear elevational view;
 FIG. 3 is a side elevational view, the opposite side being a mirror image thereof;
 FIG. 4 is a bottom plan view; and,
 FIG. 5 is a front perspective view of the combined cooler and seat unit in its converted position for use as a seat.



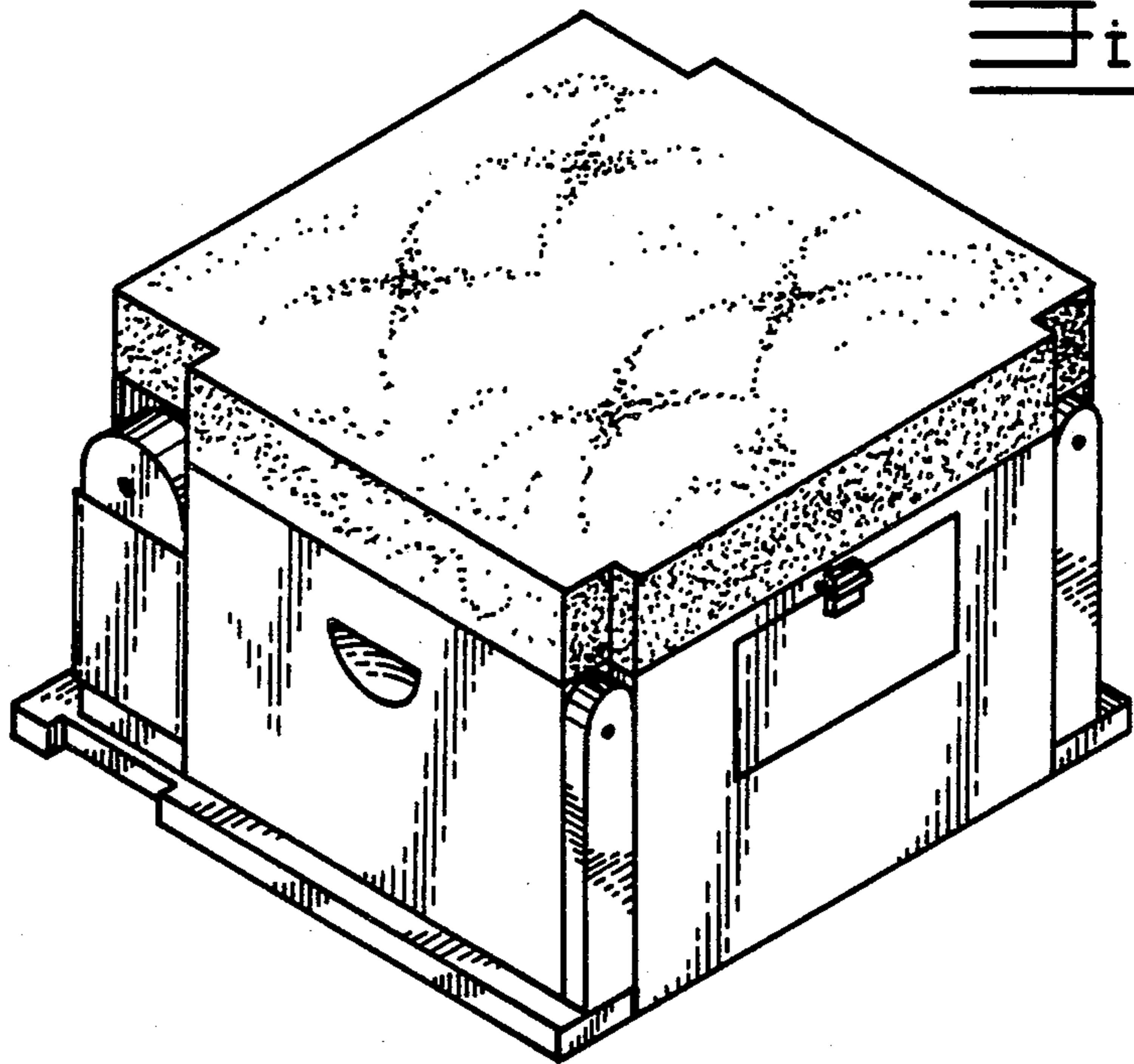


Fig. 1

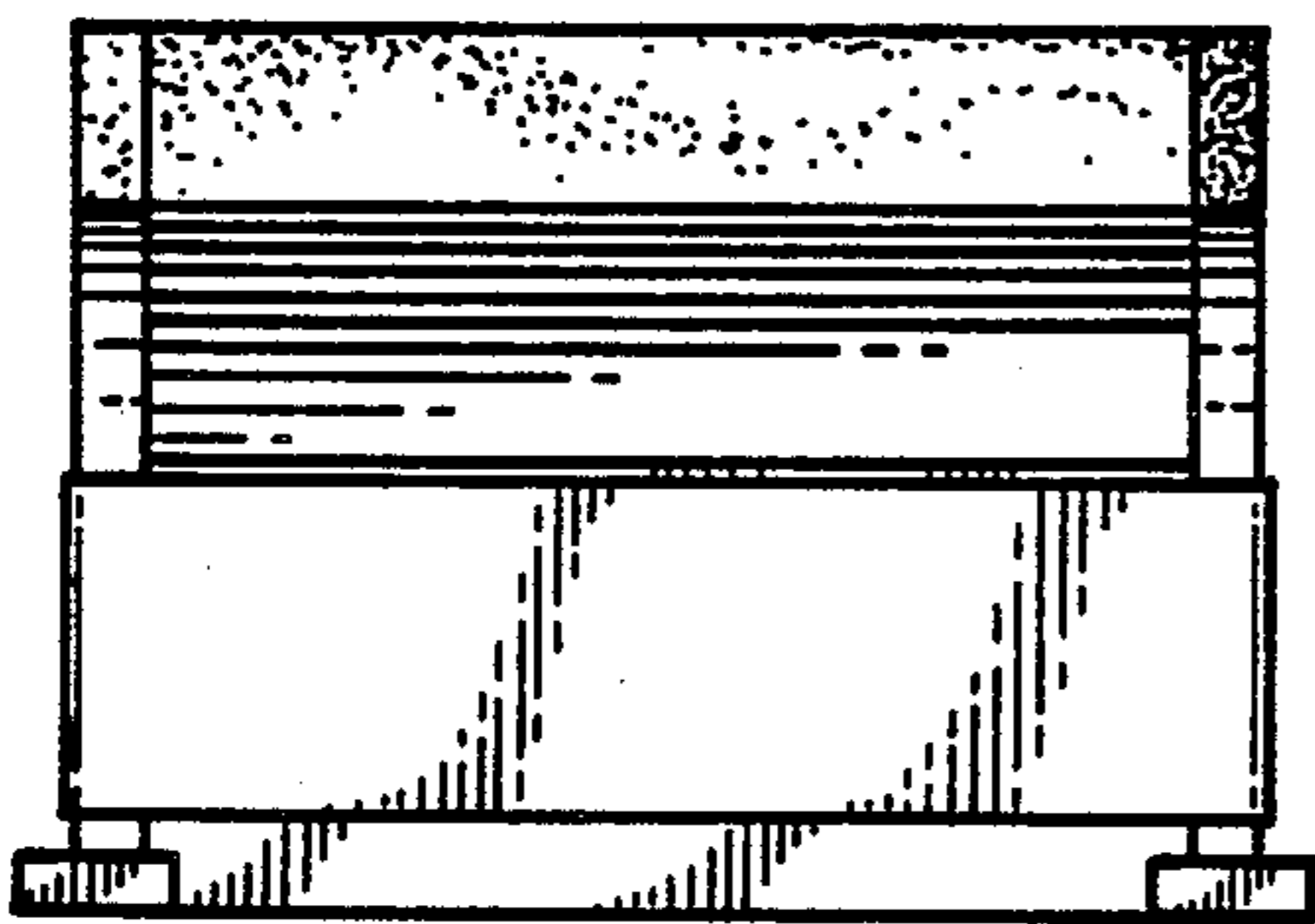


Fig. 2

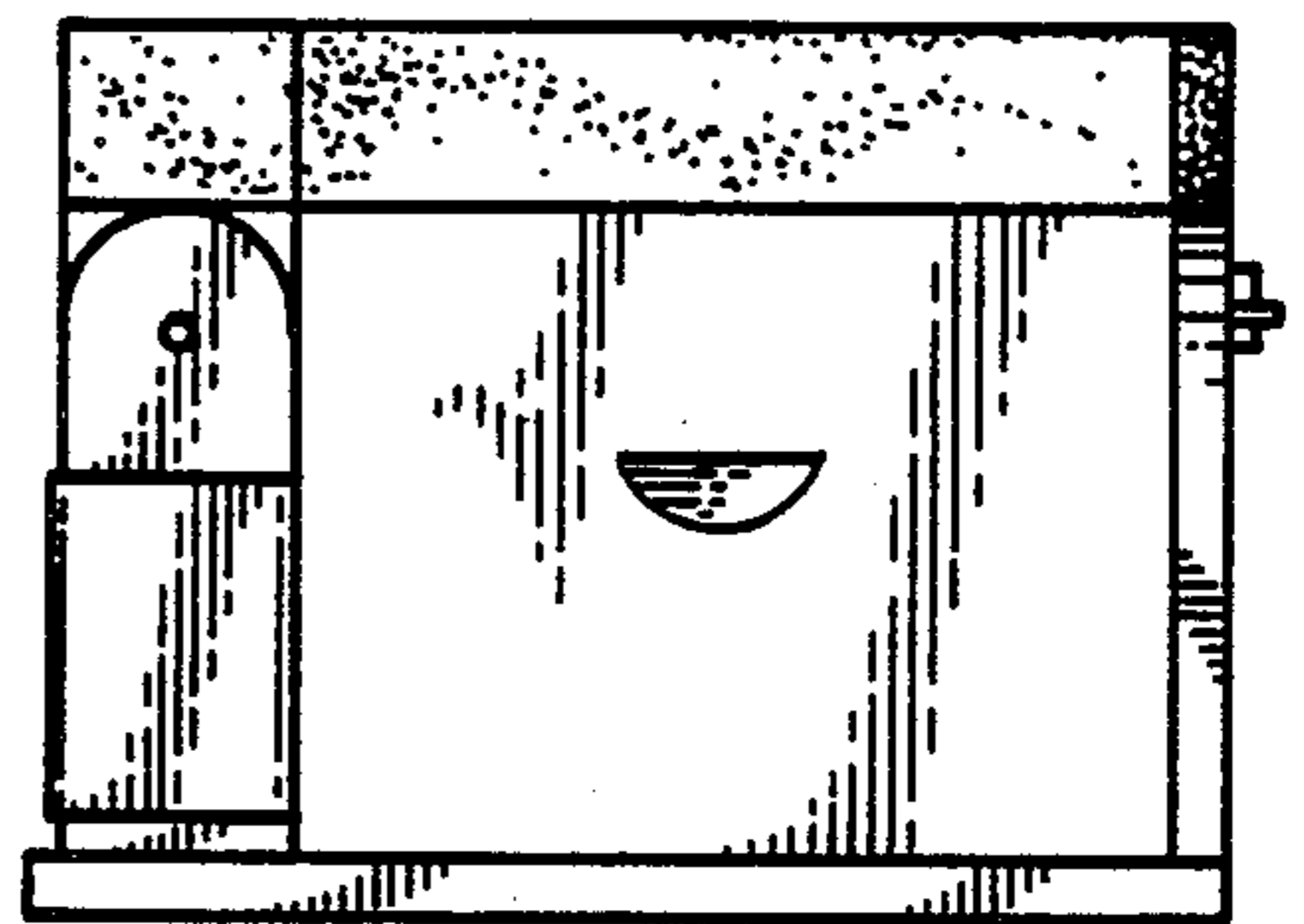


Fig. 3

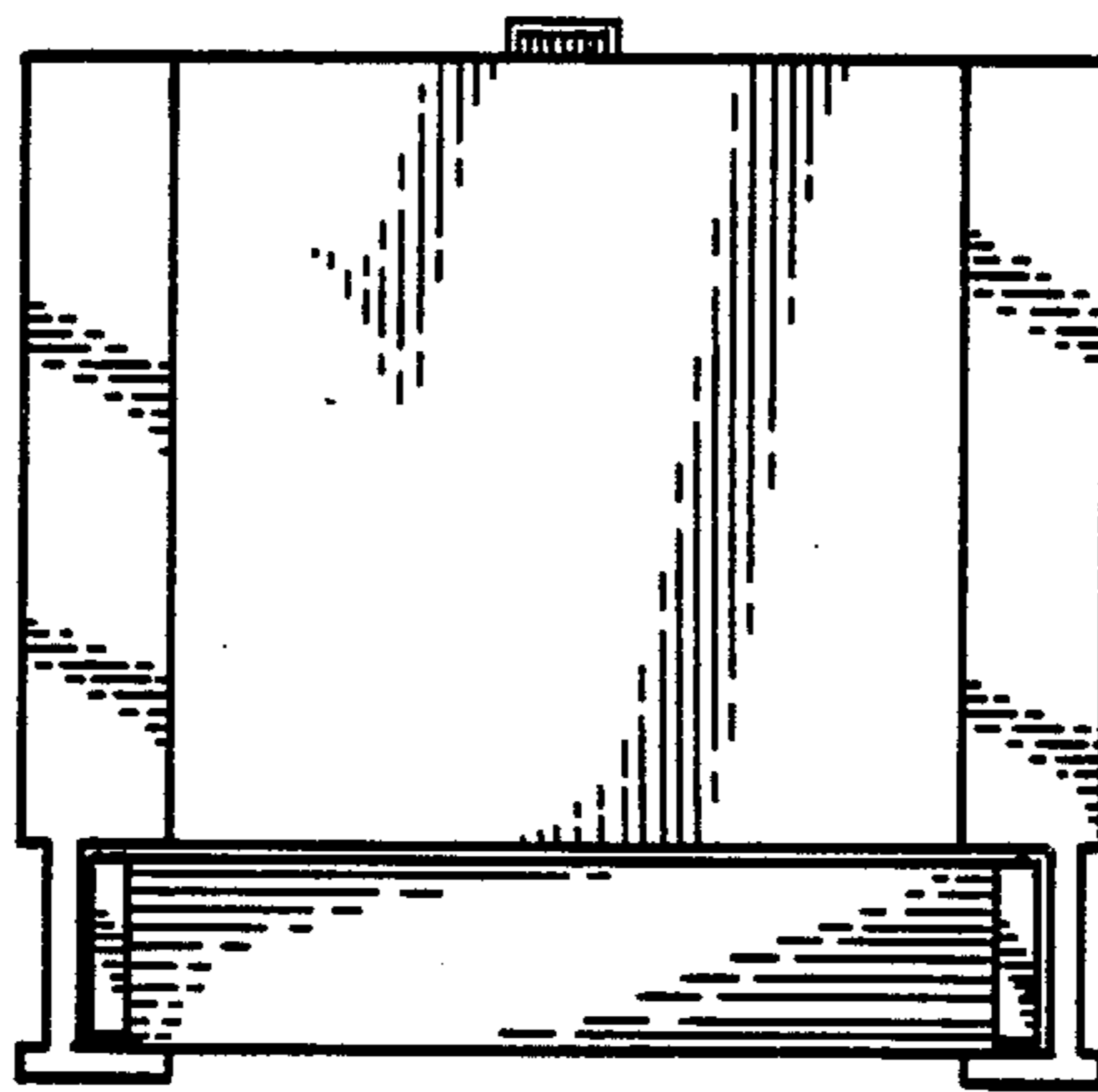


Fig. 4

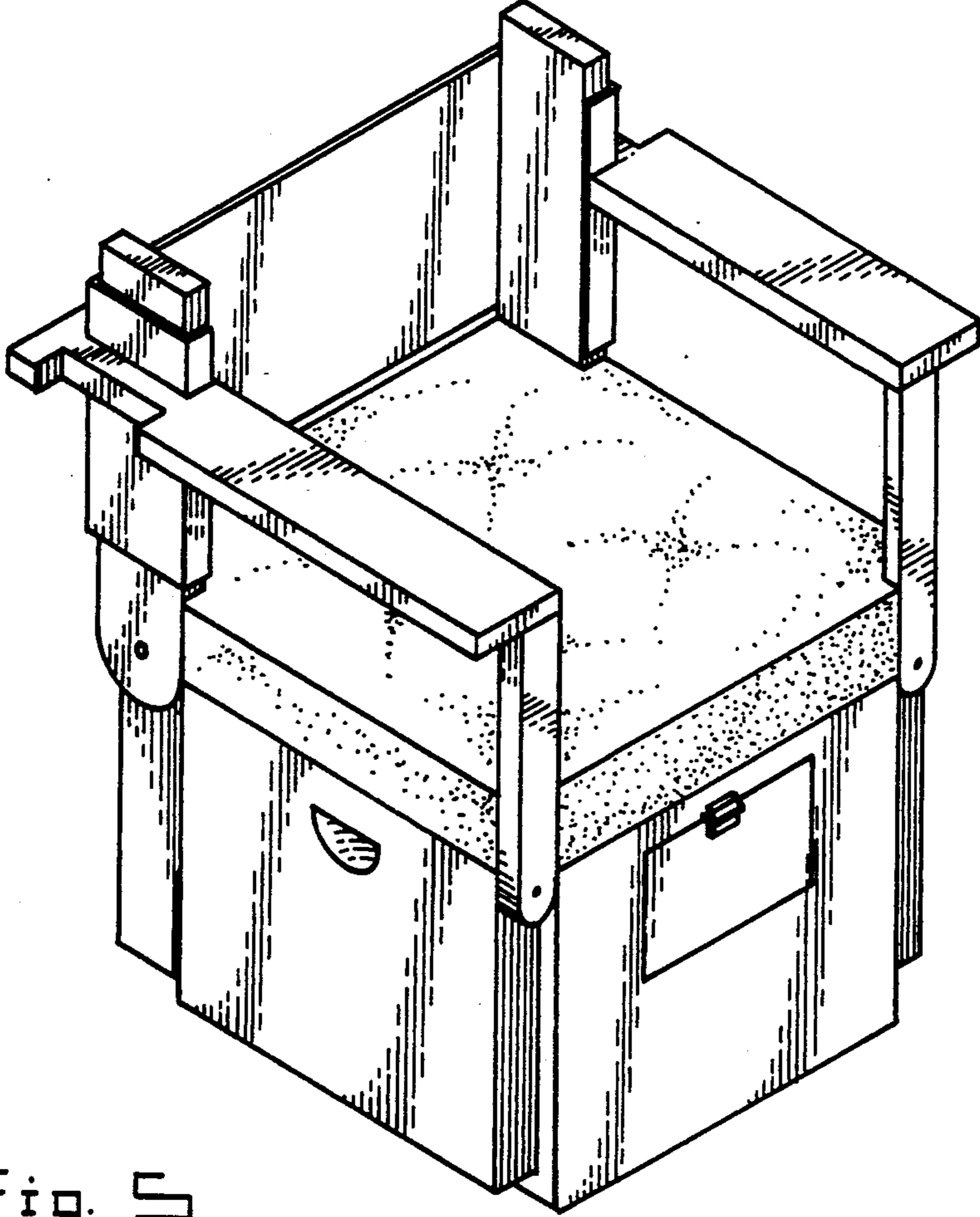


Fig. 5