

[54] SEAT

[75] Inventor: Michael M. Stewart, Toronto,
Canada

[73] Assignee: Ambient Systems Limited, Toronto,
Canada

[**] Term: 14 Years

[21] Appl. No.: 726,265

[22] Filed: Apr. 22, 1985

[30] Foreign Application Priority Data

Mar. 15, 1985 [CA] Canada 15-03-85-3
[52] U.S. Cl. D6/334; D6/381
[58] Field of Search D6/334, 367, 379, 380,
D6/381; 297/232, 233, 445

[56] References Cited

U.S. PATENT DOCUMENTS

D. 230,111	1/1974	Long	D6/381
D. 247,335	2/1978	Dronger et al.	D6/381
D. 248,260	6/1978	Wilson	D6/381
D. 259,157	5/1981	Lübke	D6/381
4,026,567	5/1977	Rye	297/445

Primary Examiner—Bruce W. Dunkins

Attorney, Agent, or Firm—Rogers, Bereskin & Parr

[57] CLAIM

The ornamental design for a seat, as shown and described.

DESCRIPTION

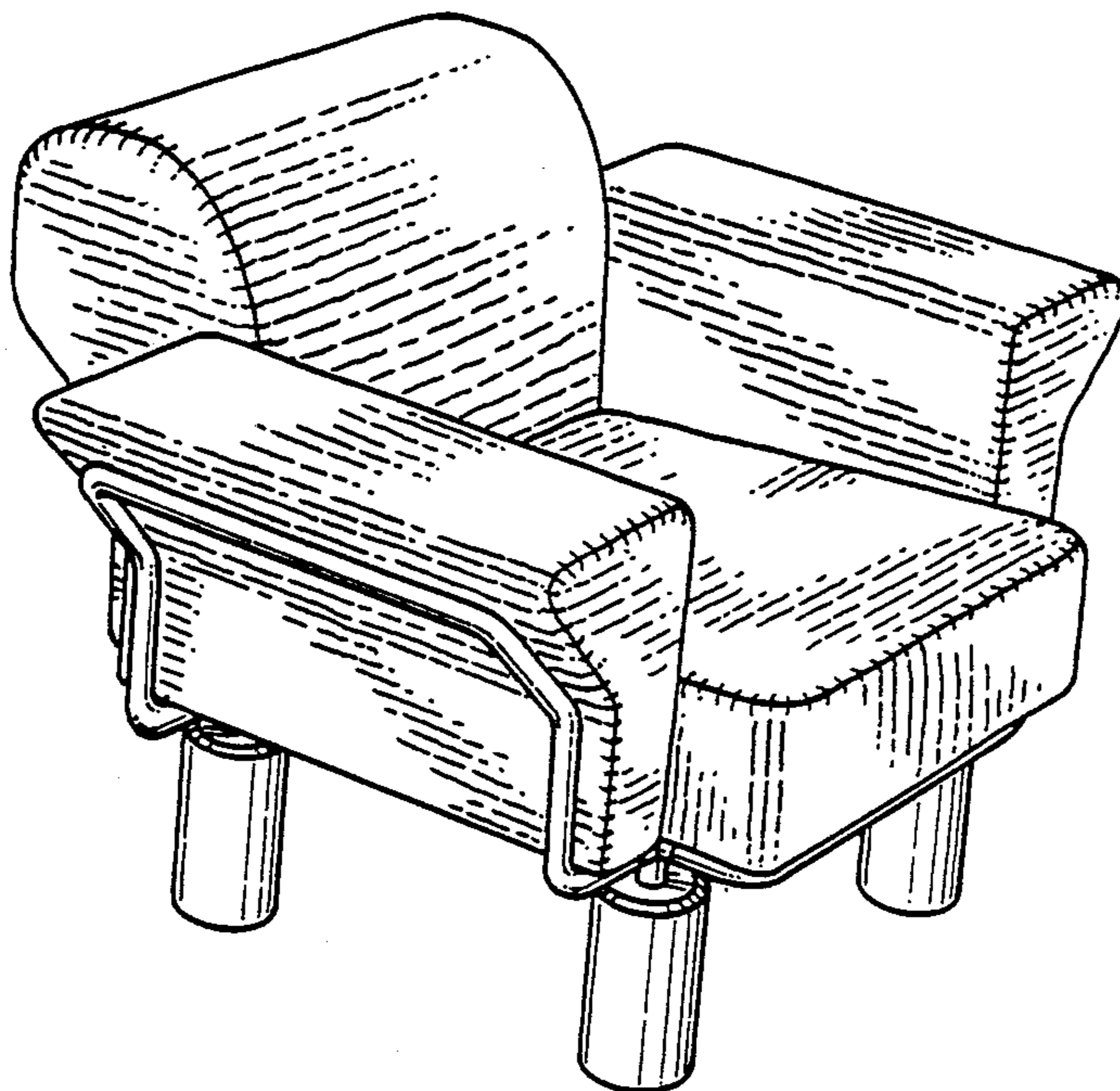
FIG. 1 is a front perspective of a seat taken from above and showing my design in the form of a chair;

FIG. 2 is a rear perspective view thereof taken from below;

FIG. 3 is a side elevational view;

FIG. 4 is a front perspective view of a seat taken from above and showing my design in the form of a sofa; and

FIG. 5 is a rear perspective view thereof from below.



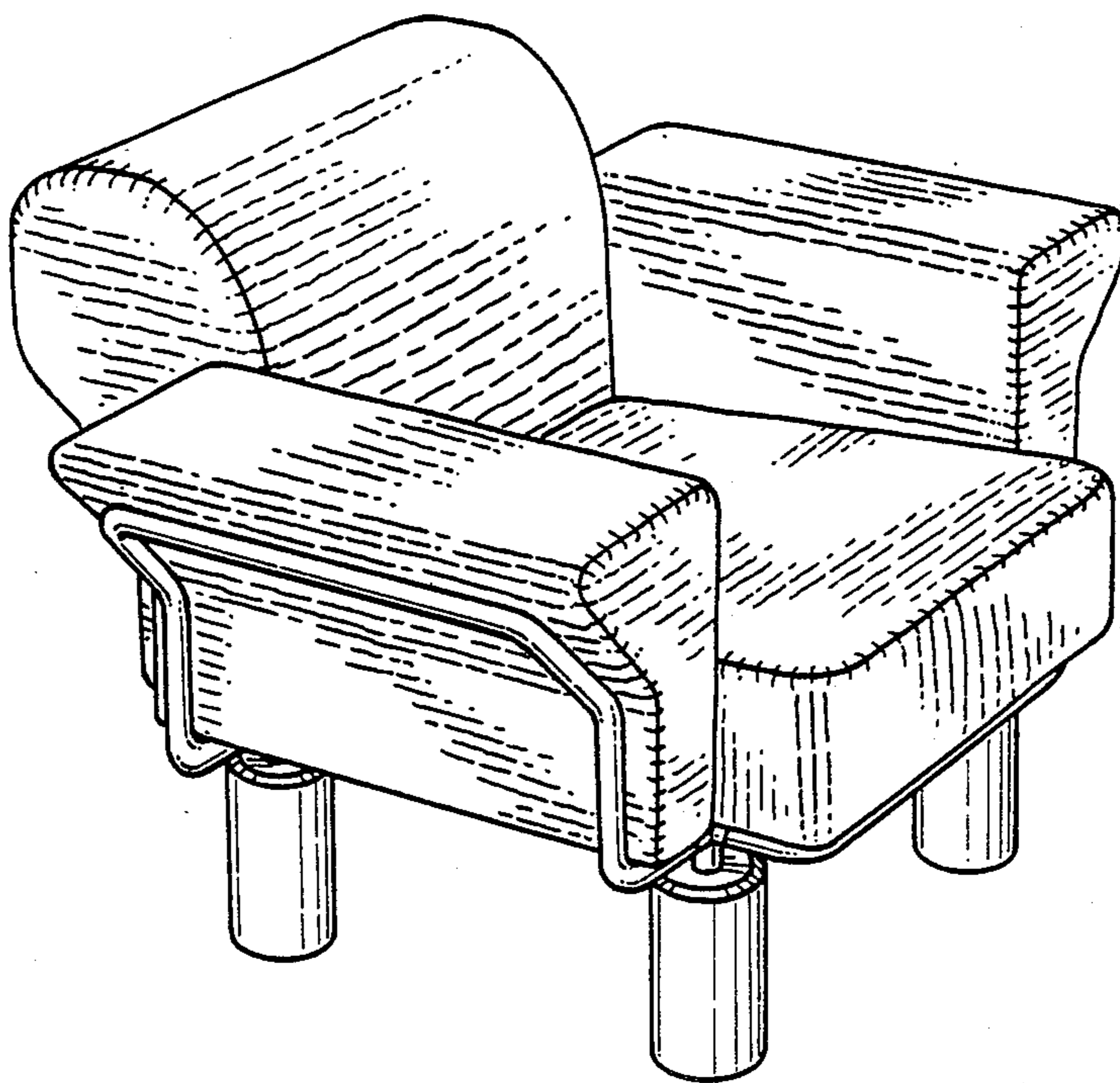


FIG. 1

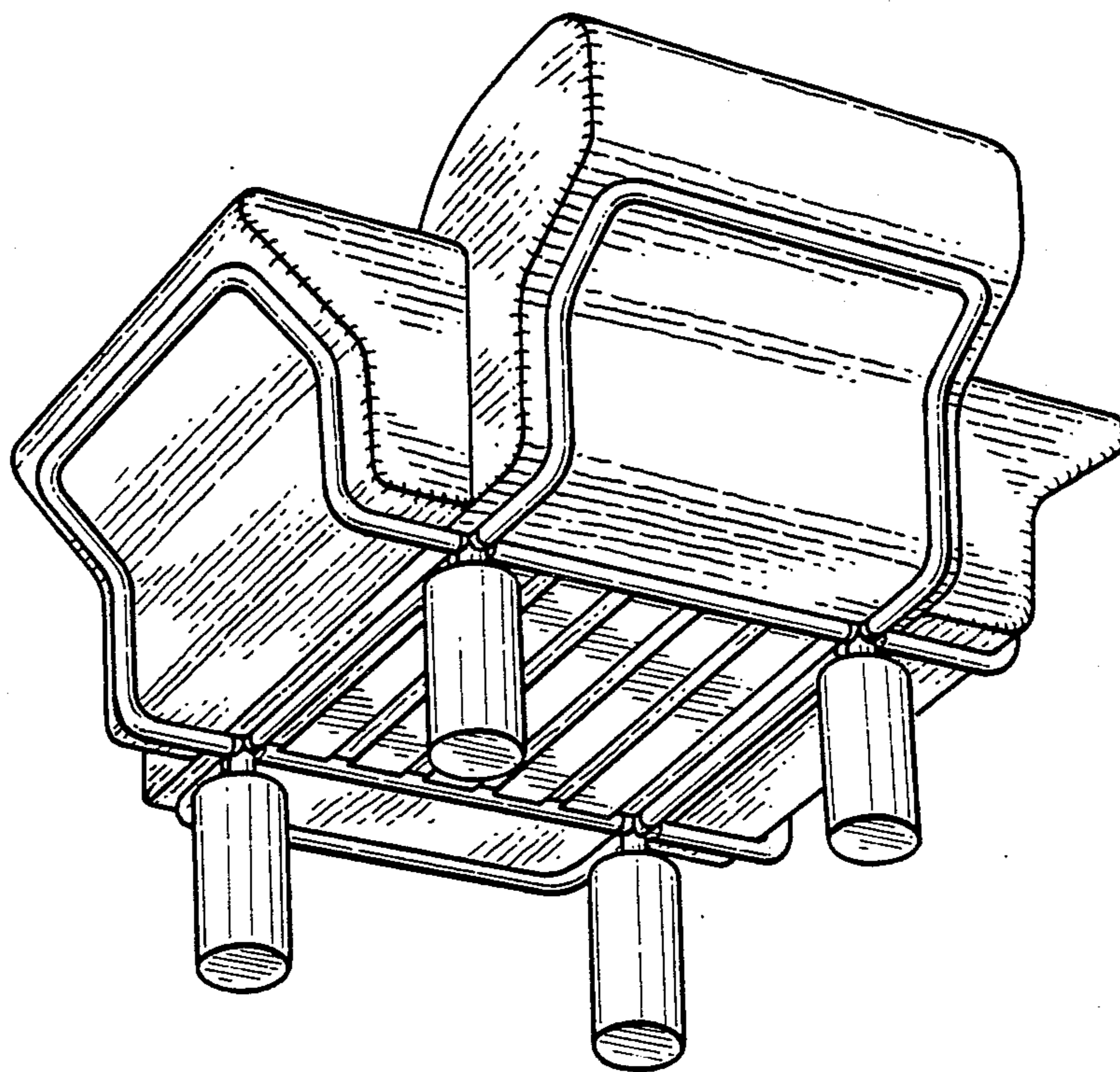


FIG. 2

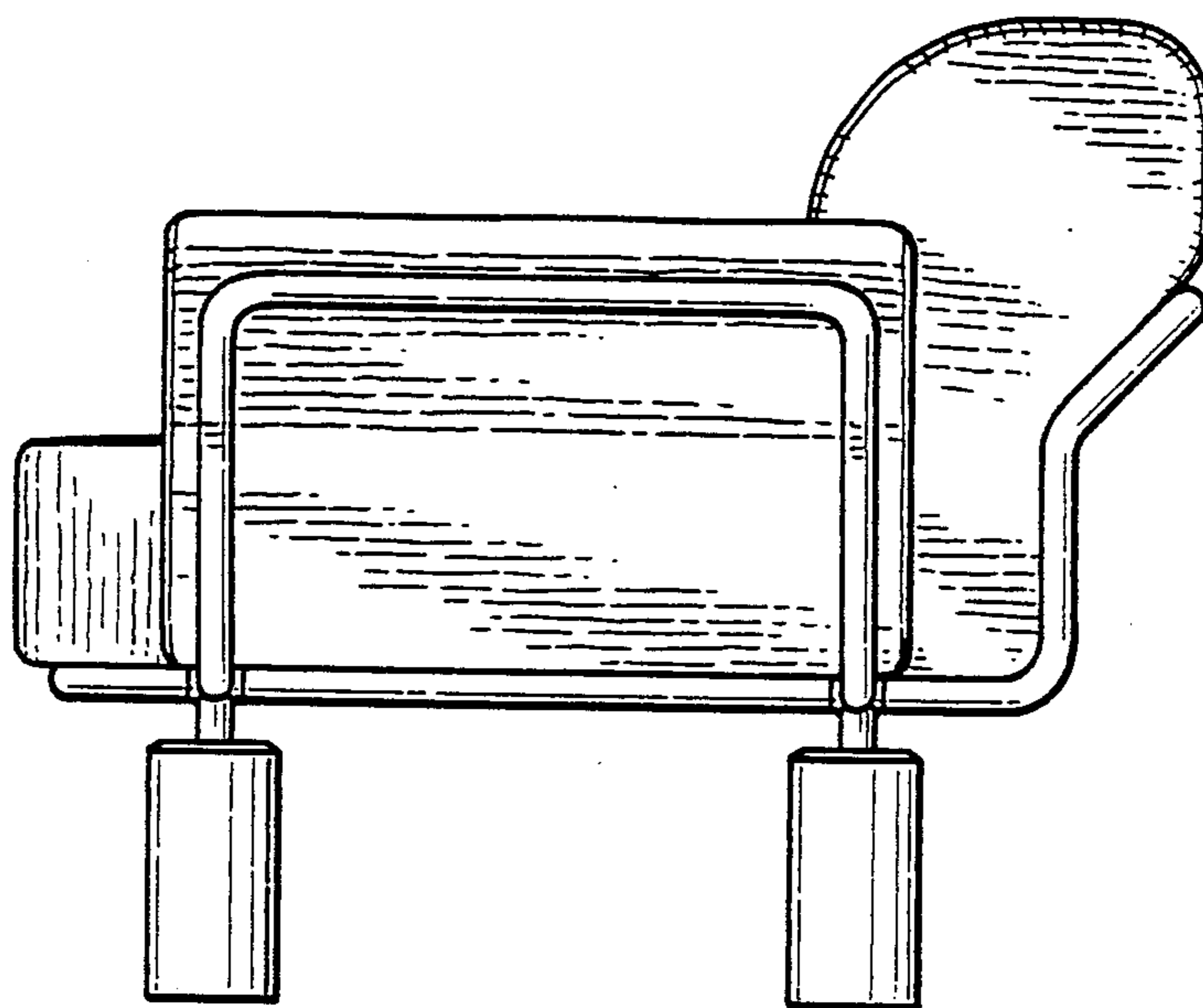


FIG. 3

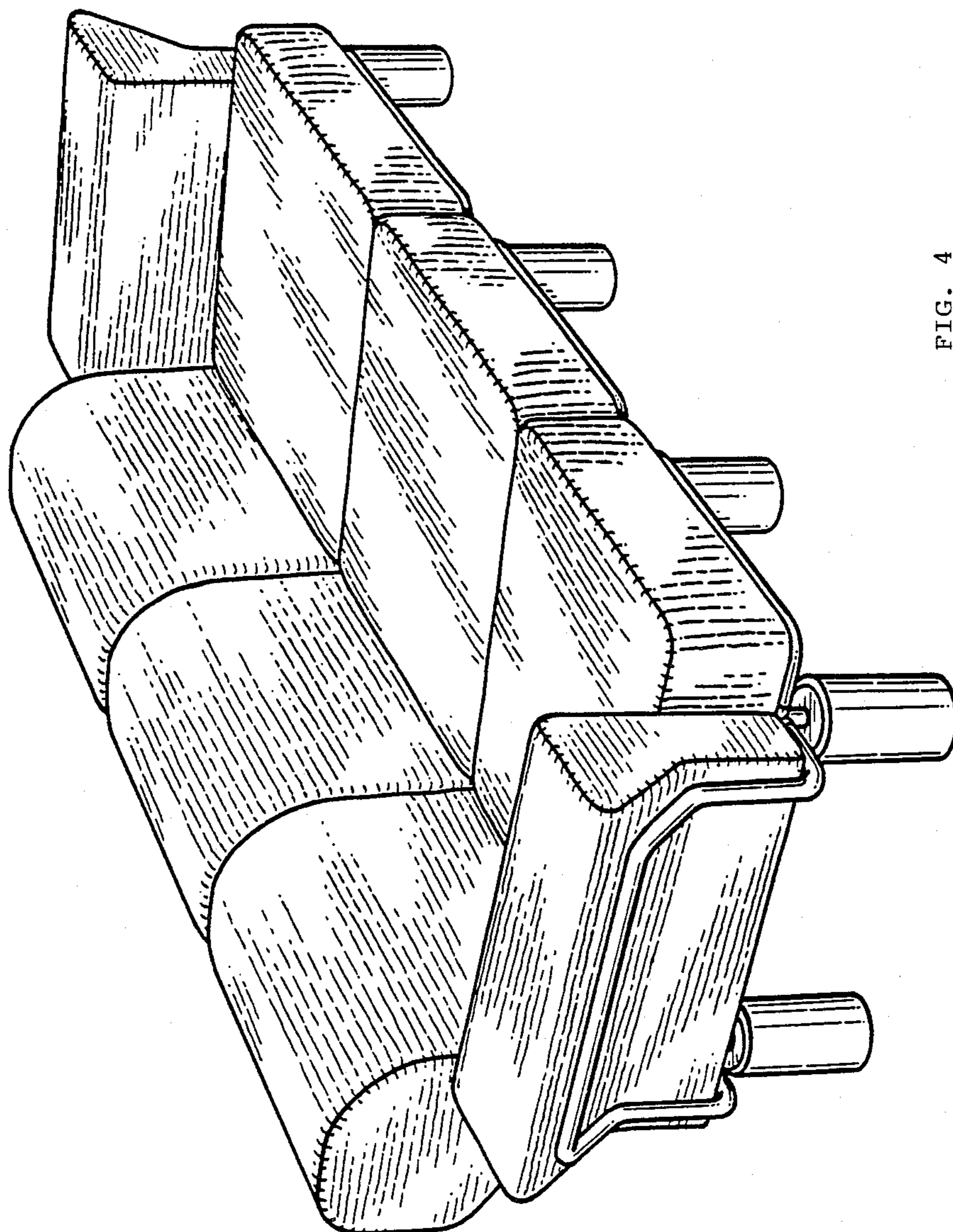


FIG. 4

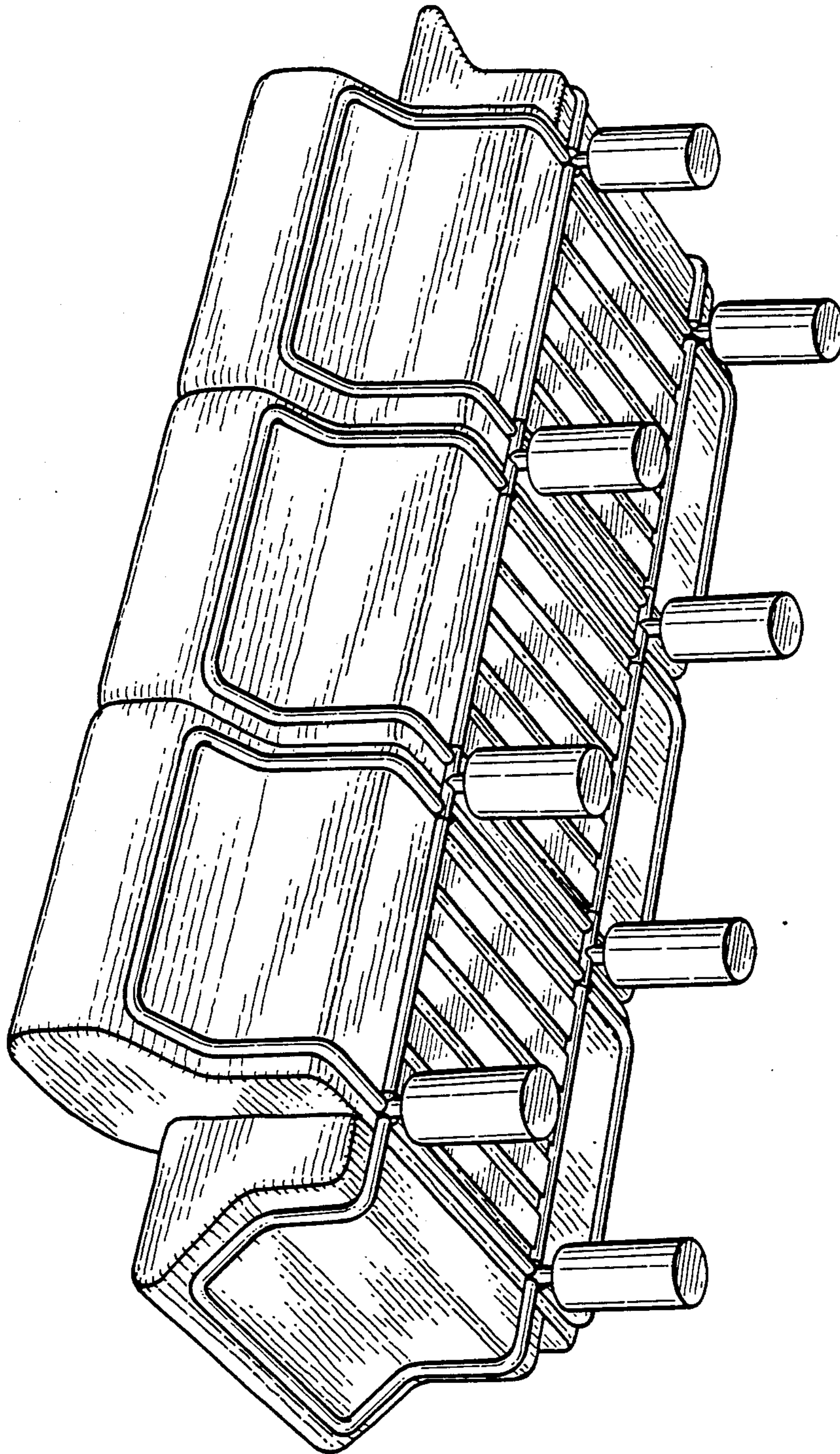


FIG. 5