

United States Patent [19]

Bankier

[11] Patent Number: Des. 293,625

[45] Date of Patent: ** Jan. 12, 1988

[54] DISK STORAGE CASE
[75] Inventor: Jack D. Bankier, Northbrook, Ill.
[73] Assignee: Bankier Companies, Inc.,
Northbrook, Ill.
[**] Term: 14 Years
[21] Appl. No.: 767,838
[22] Filed: Aug. 20, 1985
[52] U.S. Cl. D3/35; D3/78;
D19/76
[58] Field of Search D3/30.1, 33, 35, 39,
D3/78; 206/387, 425, 444, 472; 312/294;
D19/75, 76, 90; D9/420

[56] References Cited

U.S. PATENT DOCUMENTS

D. 243,526 1/1977 Overman D3/78
D. 267,911 2/1983 Long et al. D3/78

D. 285,214 8/1986 Roskvist D3/78
D. 287,068 12/1986 Long et al. D3/35
D. 287,544 1/1987 Long et al. D3/35
D. 287,788 1/1987 Shames D3/78

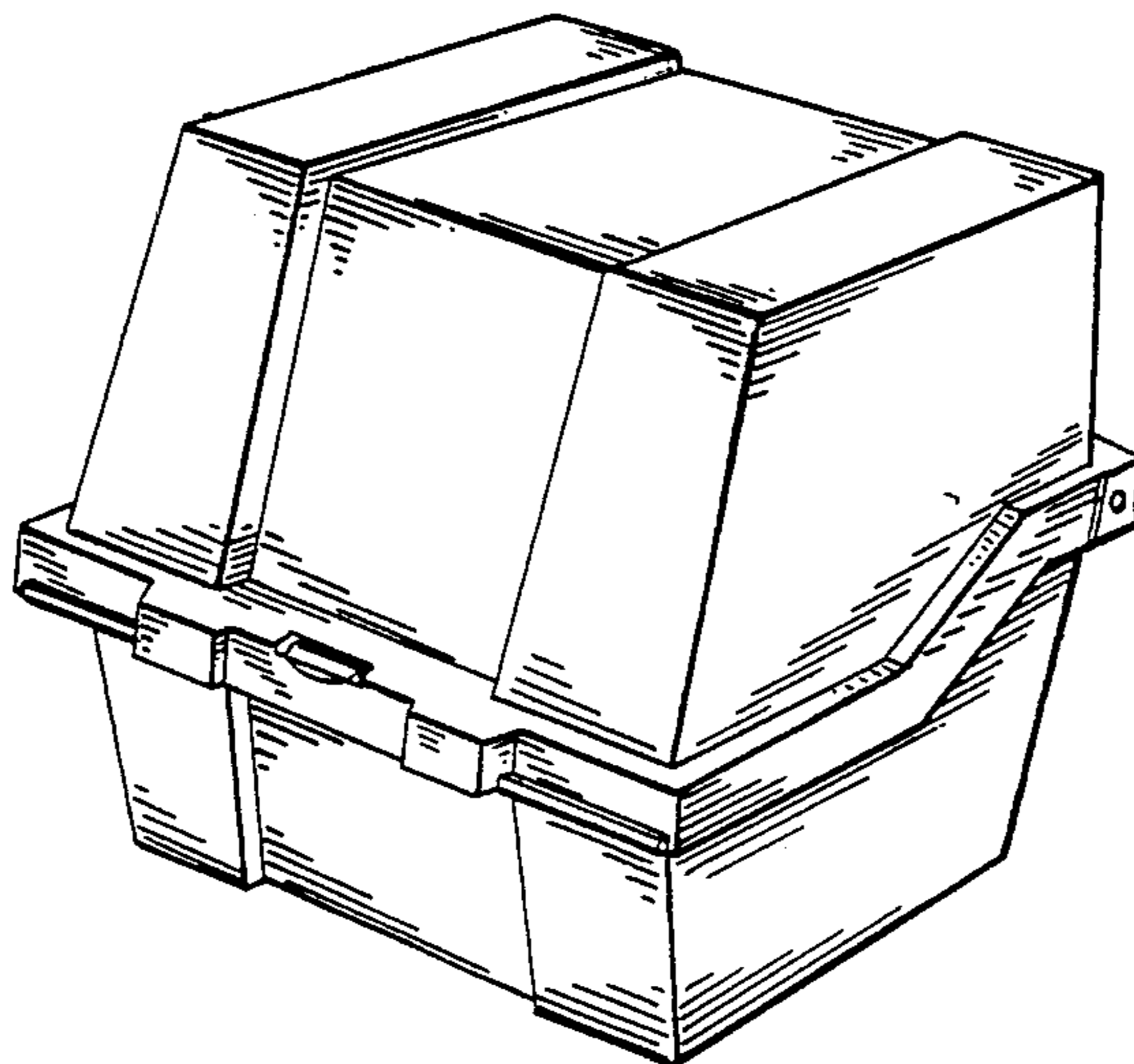
Primary Examiner—George P. Word
Attorney, Agent, or Firm—Hill, Van Santen, Steadman &
Simpson

[57] CLAIM

The ornamental design for a disk storage case, as shown
and described.

DESCRIPTION

FIG. 1 is a perspective view of a disk storage case
showing my new design;
FIG. 2 is a left side elevational view thereof, the right
side being substantially a mirror image thereof;
FIG. 3 is a top plan view thereof;
FIG. 4 is a rear elevational view thereof and
FIG. 5 is a bottom plan view thereof.



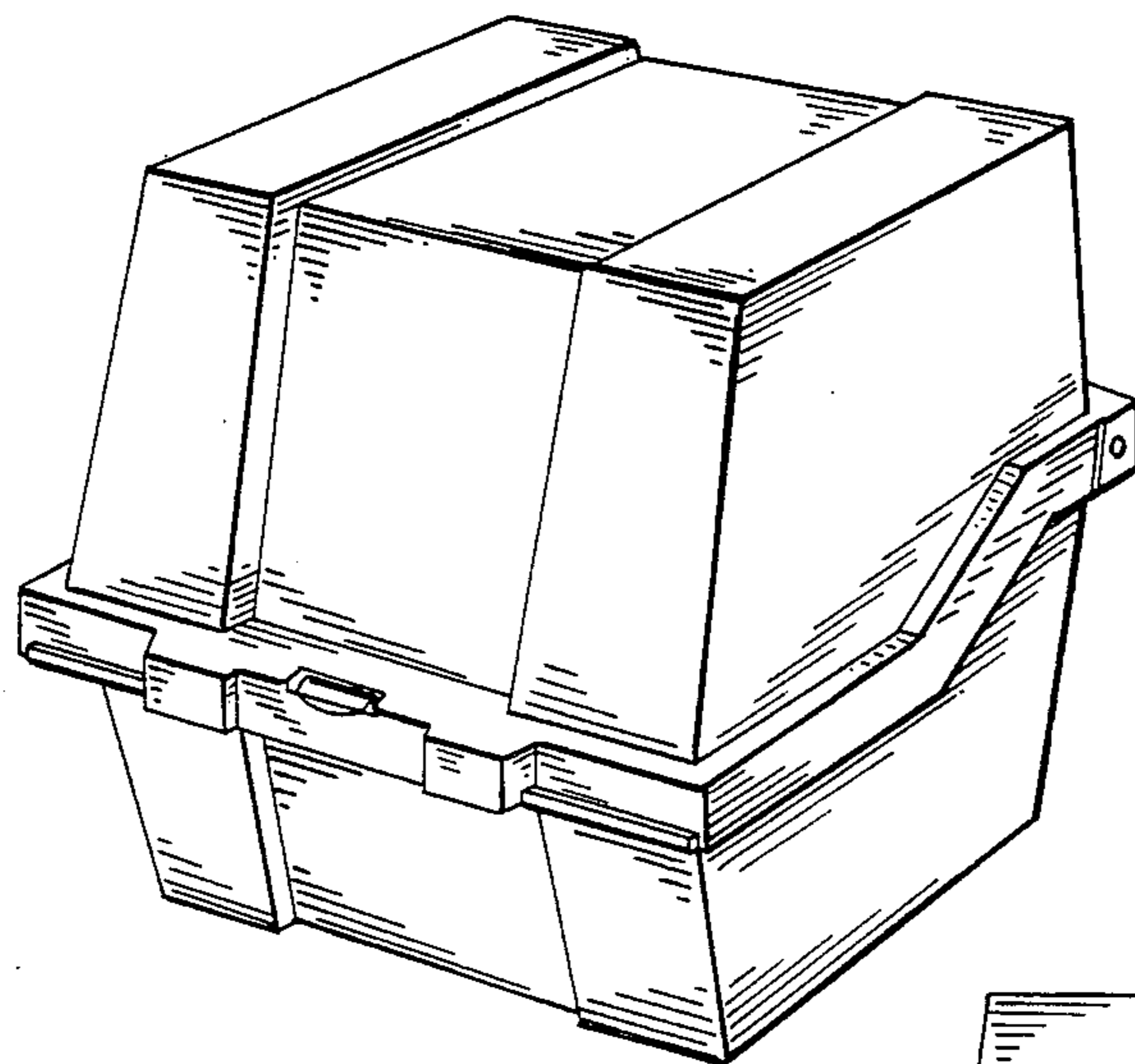


FIG. 1

FIG. 2

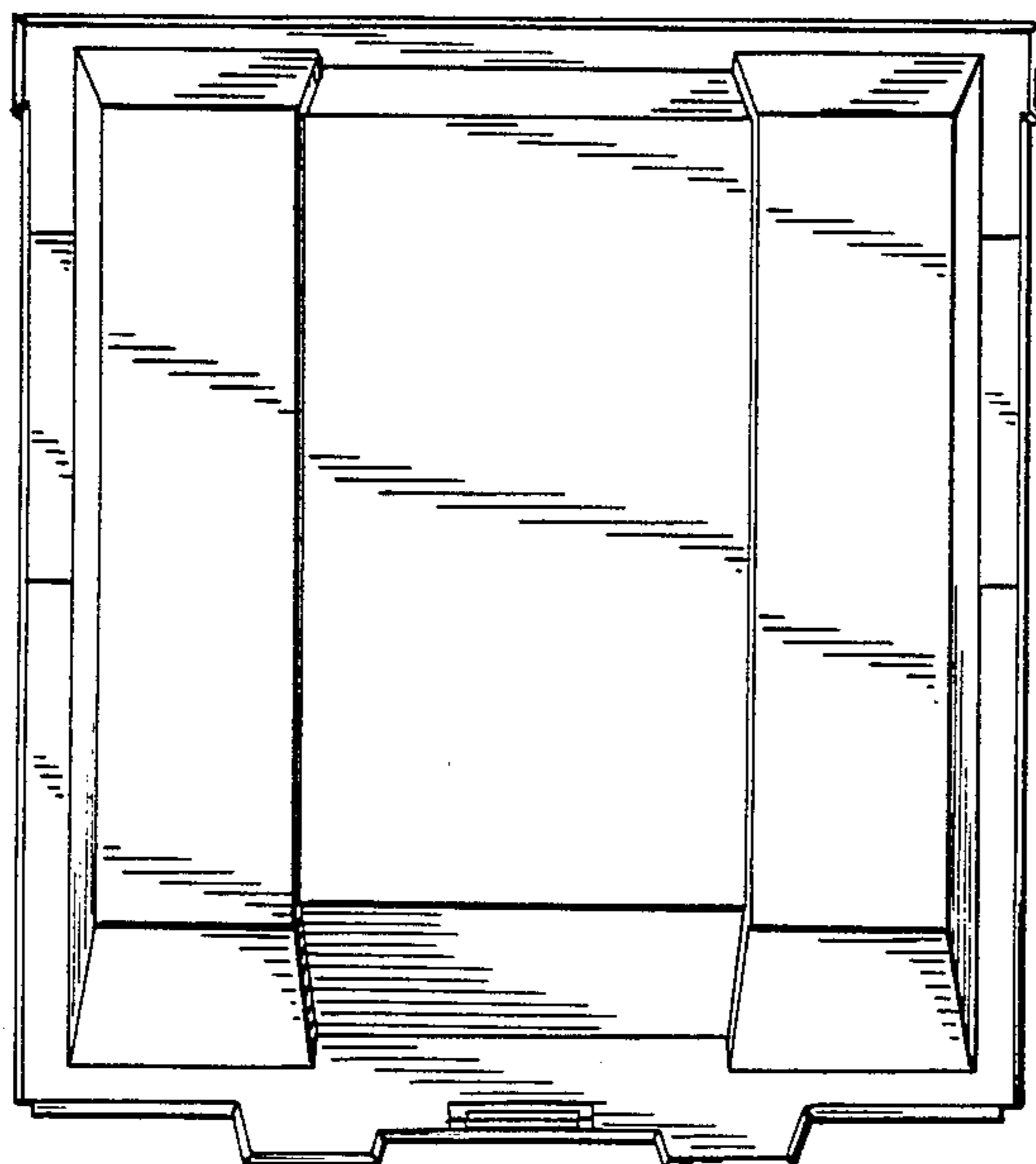
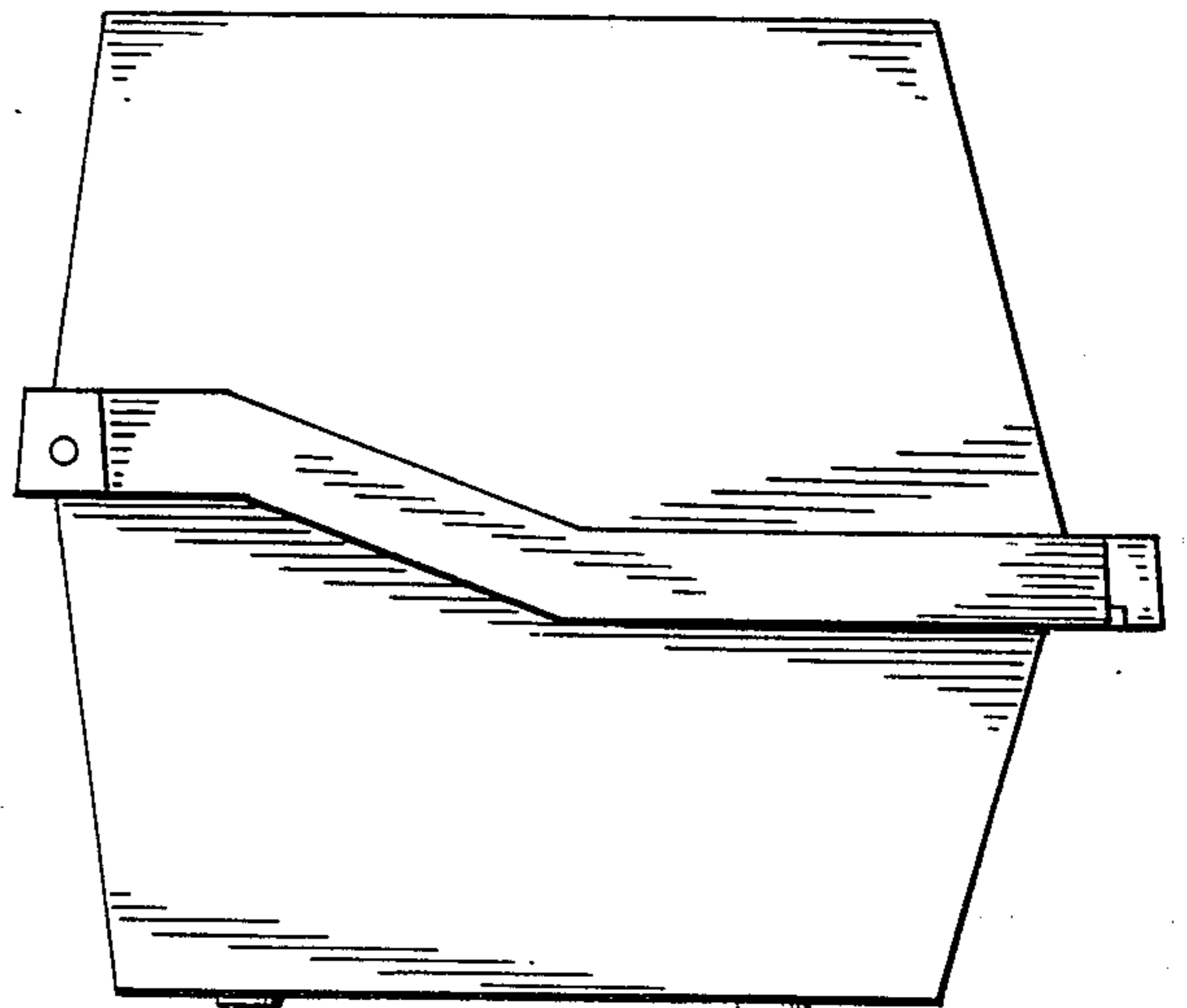


FIG. 3

FIG. 4

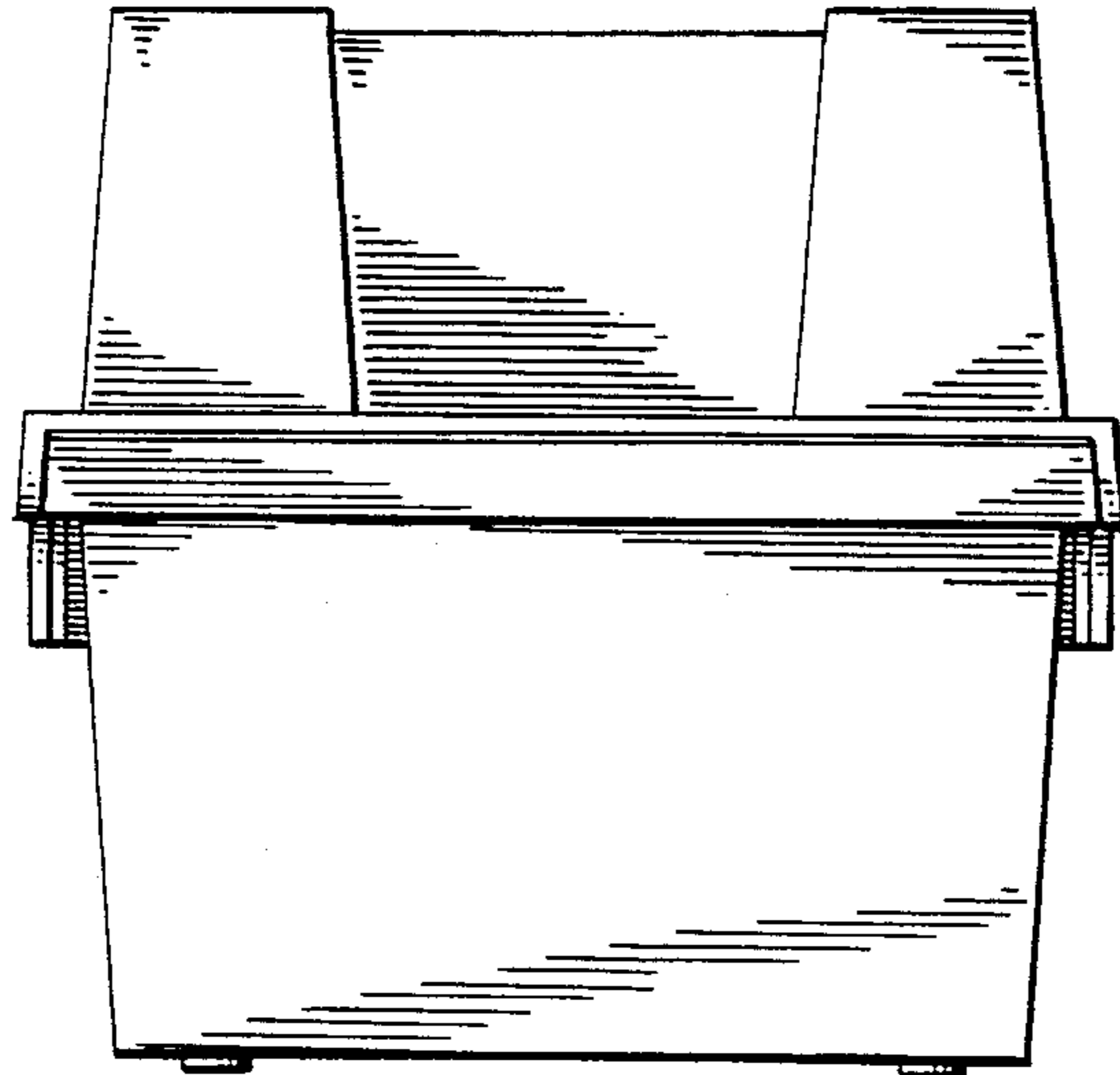


FIG. 5

