

[54] OPTICAL CASE

[76] Inventor: Robert A. Sherman, 921 Creekrise St., Fullerton, Calif. 92633

[**] Term: 14 Years

[21] Appl. No.: 593,650

[22] Filed: Mar. 26, 1984

[52] U.S. Cl. D3/34; D3/74; D3/77

[58] Field of Search D3/30.1, 33, 35, 74, D3/75, 77; 206/564, 566, 549, 509, 585, 503; D34/23, 21, 19

[56] References Cited

U.S. PATENT DOCUMENTS

D. 234,273	2/1975	Wilson et al.	D3/77
D. 252,987	9/1979	Backskay	D34/19
3,191,791	6/1965	Jackson	206/585
3,330,608	7/1967	Druger, Jr.	206/509
3,851,754	12/1974	Jones	206/549
4,282,975	8/1981	Ovadia	206/566

Primary Examiner—George P. Word
Attorney, Agent, or Firm—Beehler, Pavitt, Siegemund, Jagger, Martella & Dawes

[57] CLAIM

The ornamental design for an optical case, substantially as shown and described.

DESCRIPTION

FIG. 1 is a perspective view of an optical case showing my new design.

FIG. 2 is an enlarged scale, front elevational view thereof;

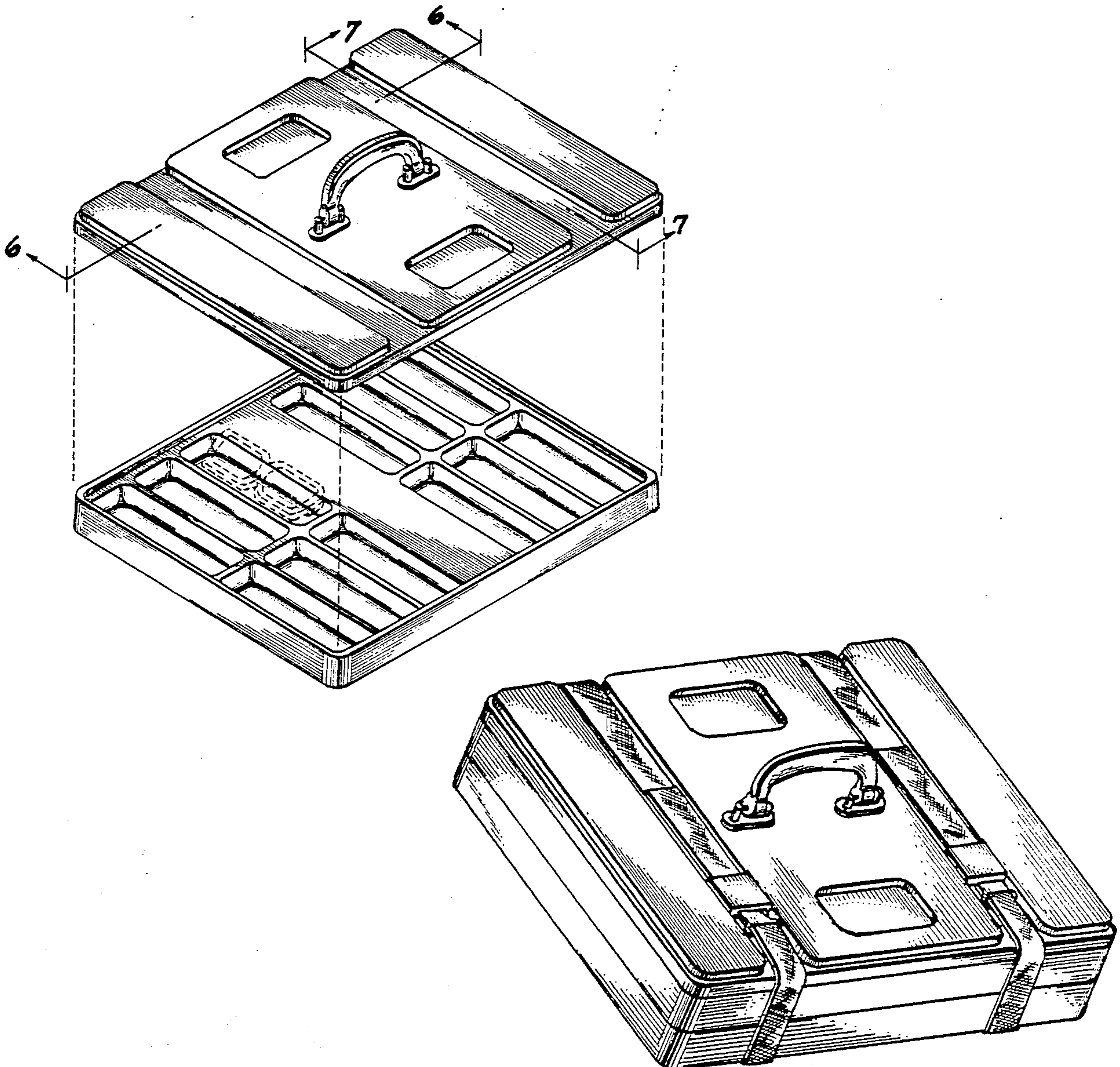
FIG. 3 is a right side elevational view thereof;

FIG. 4 is a bottom plan view of FIG. 1;

FIG. 5 is an exploded perspective view thereof showing the lid and the interior of one tray configured for holding spectacles which are shown in dotted lines and form no part of the claimed design;

FIG. 6 is an enlarged scale cross-sectional view taken along line 6—6 of FIG. 5; and

FIG. 7 is an enlarged scale, cross-sectional view taken along line 7—7 of FIG. 5.



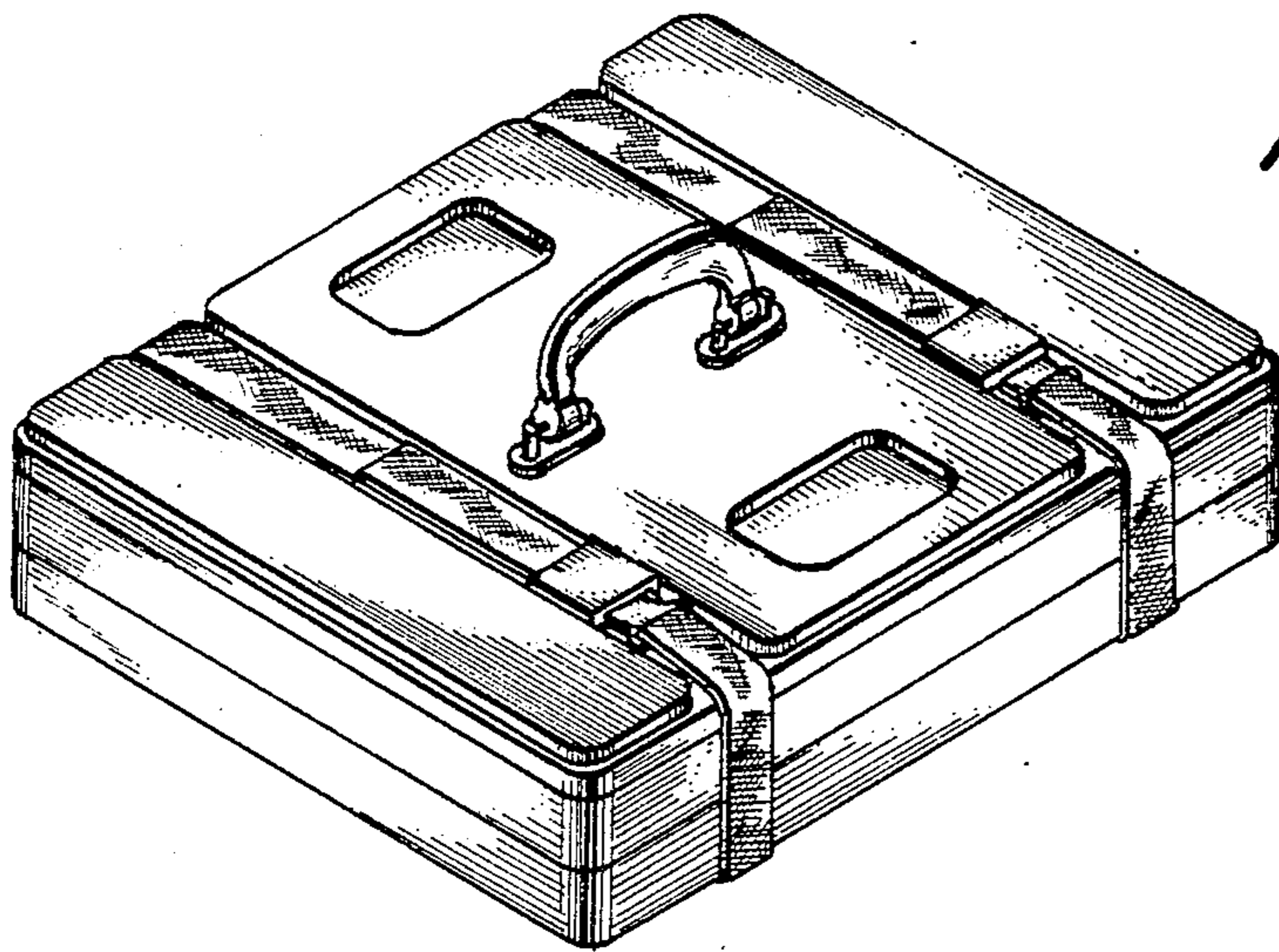


Fig. 1

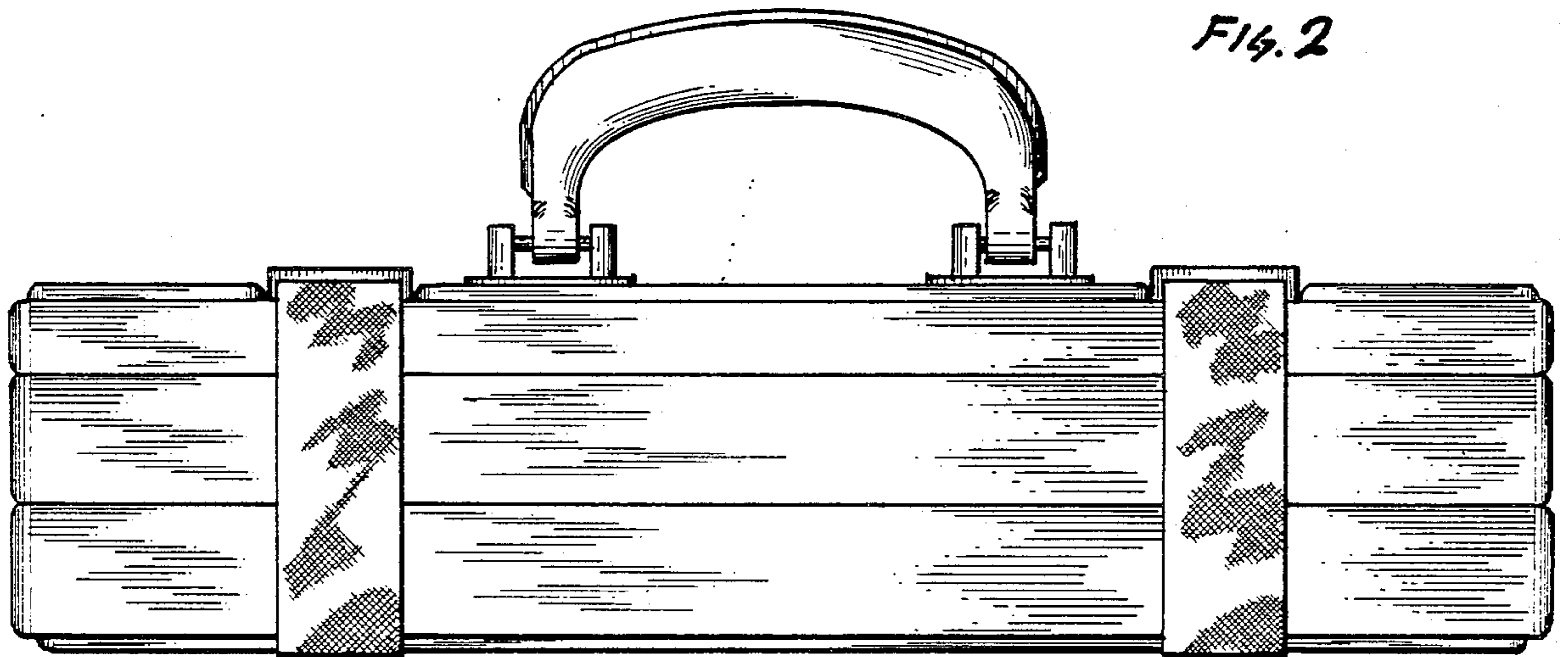


Fig. 2

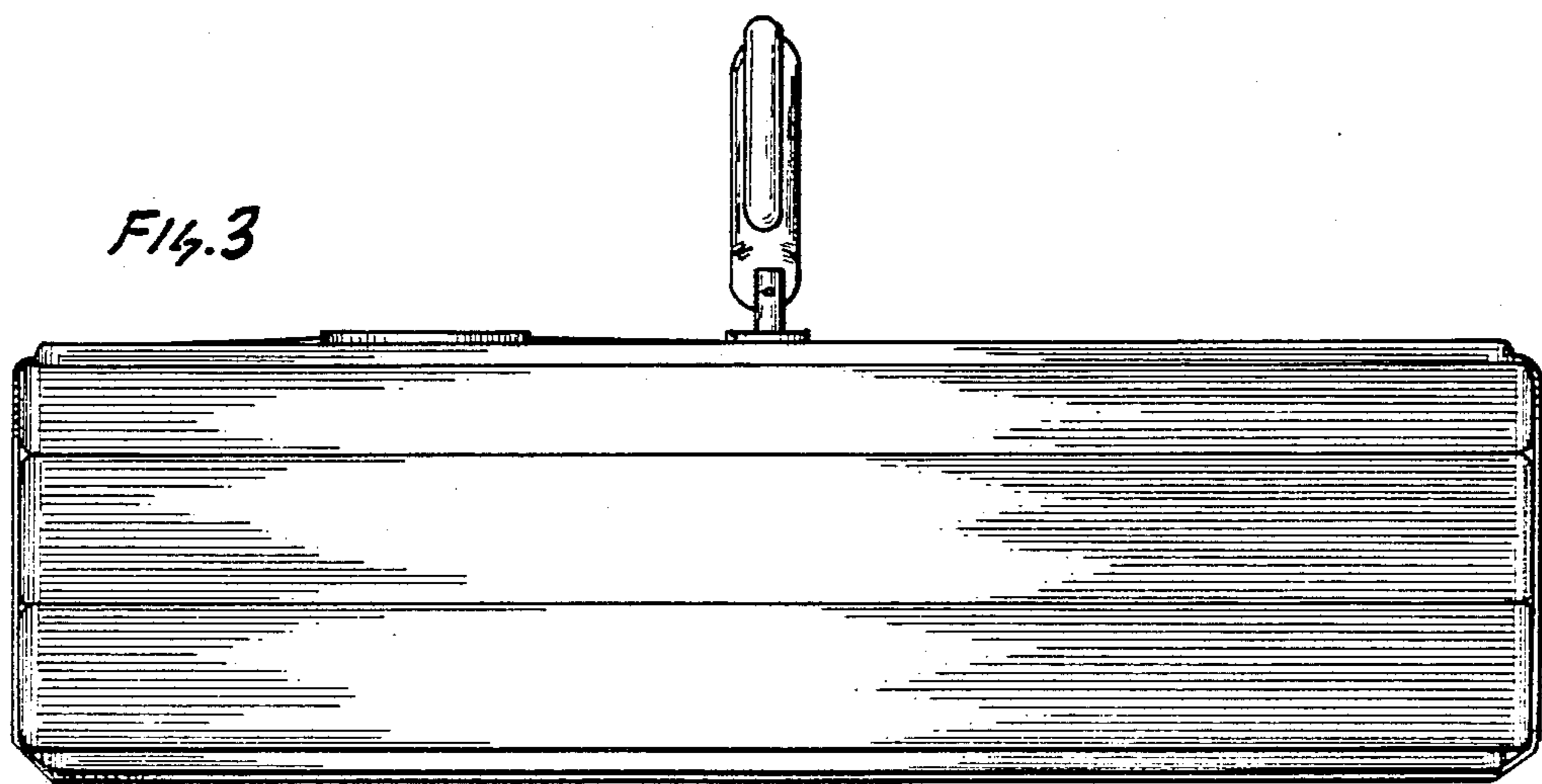


Fig. 3

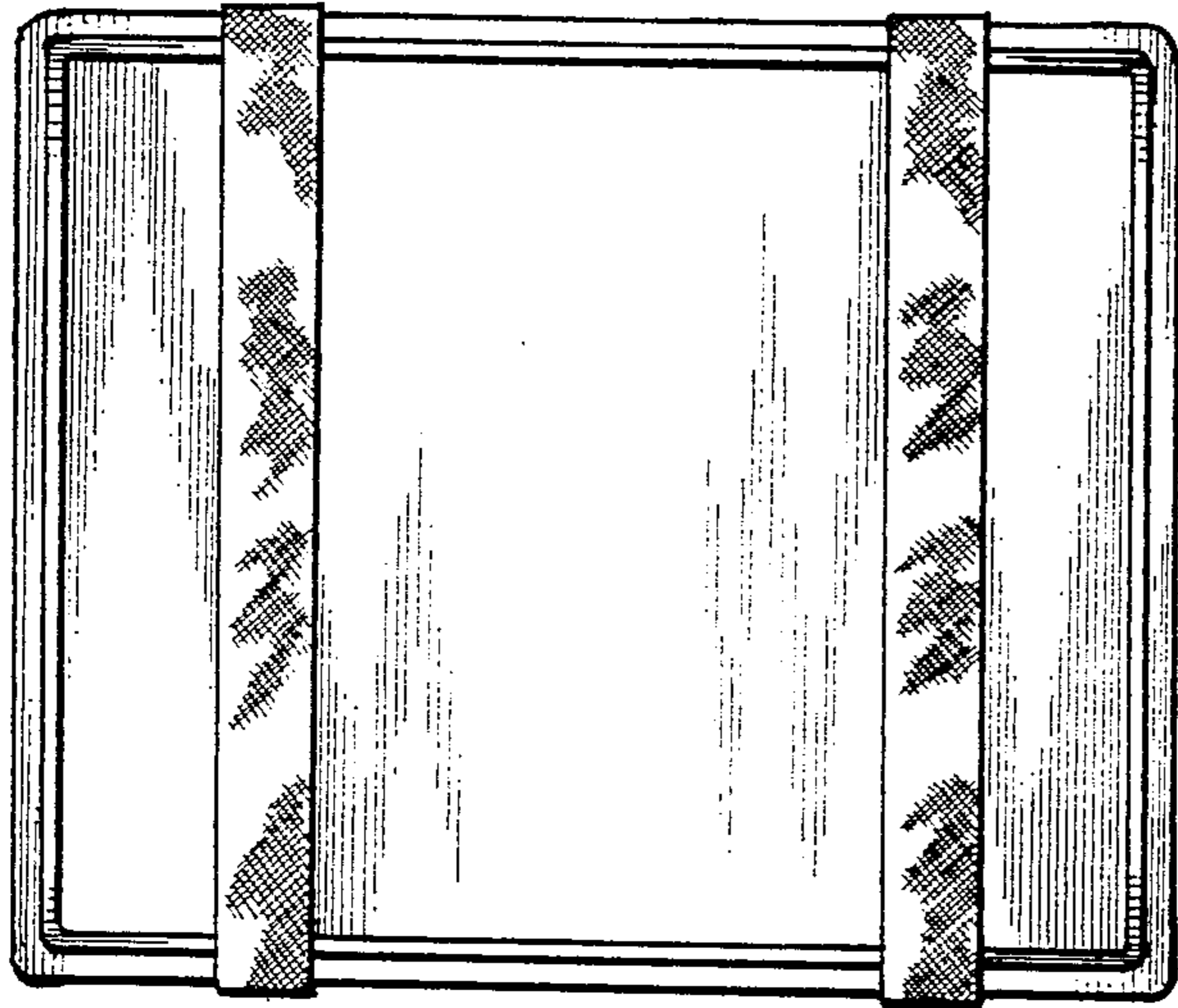


FIG. 4

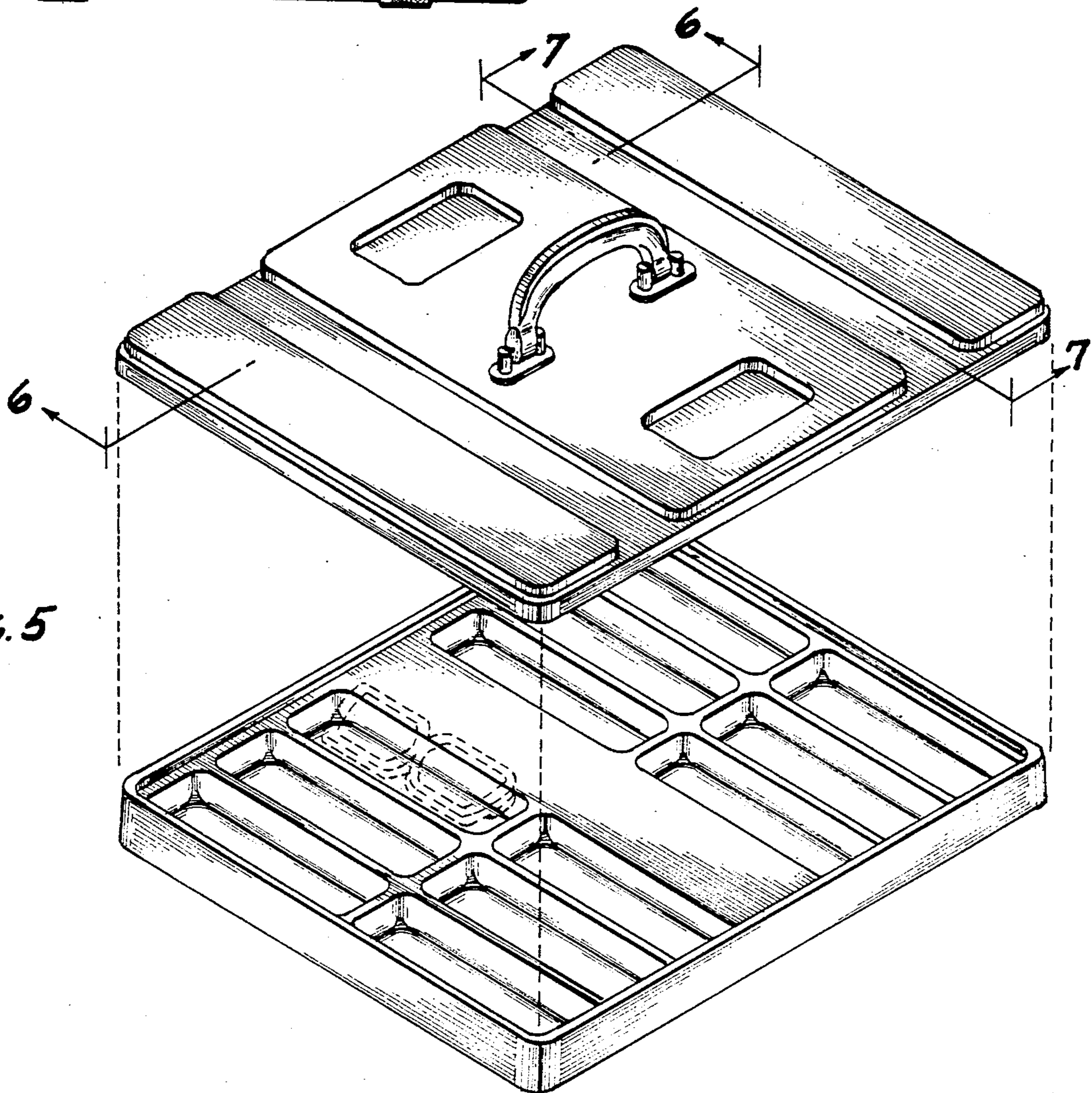


FIG. 5

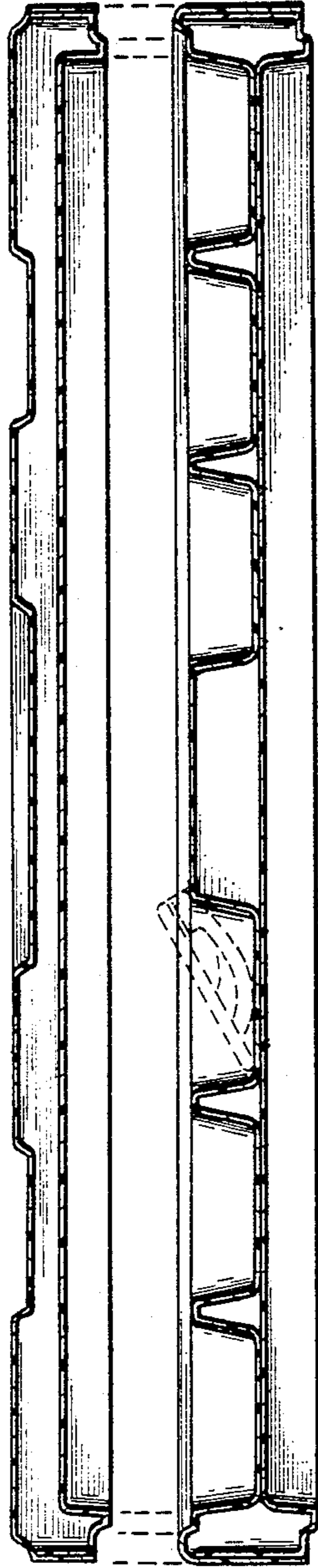


Fig. 6

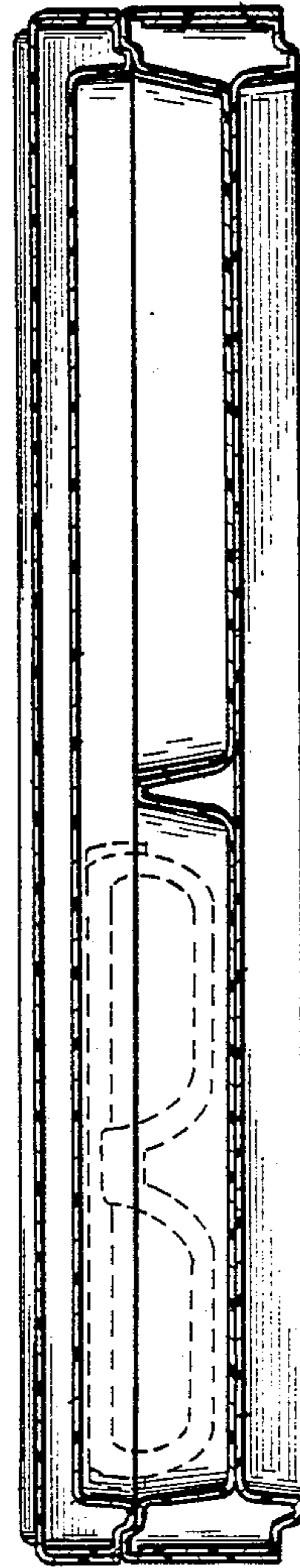


Fig. 7