

[54] TRUMPET-SHAPED PASTA PIECE

[75] Inventor: Frank E. Blatnick, Winthrop Harbor, Ill.

[73] Assignee: Kraft, Inc., Glenview, Ill.

[**] Term: 14 Years

[21] Appl. No.: 728,742

[22] Filed: Apr. 30, 1985

[52] U.S. Cl. D1/106; D1/126

[58] Field of Search D1/106, 126-129,
D1/199; D11/81; 426/104

[56] References Cited

U.S. PATENT DOCUMENTS

D. 110,532 7/1938 Agnini et al. D11/53
D. 189,660 1/1961 Vermilyen D1/126 X

OTHER PUBLICATIONS

Confectioner's Tools & Machinery, 1924, Thomas Mills & Brothers, p. 19, Horn #293.

Primary Examiner—Bernard Ansher
Assistant Examiner—Terry Pfeffer
Attorney, Agent, or Firm—Fitch, Even, Tabin & Flannery

[57] CLAIM

The ornamental design for a trumpet-shaped pasta piece, as shown and described.

DESCRIPTION

FIG. 1 is a perspective view of a trumpet-shaped pasta piece showing my new design;
FIG. 2 is a top plan view thereof;
FIG. 3 is a left side elevational view thereof;
FIG. 4 is a front elevational view thereof;
FIG. 5 is a bottom plan view thereof; and,
FIG. 6 is a rear elevational view thereof.

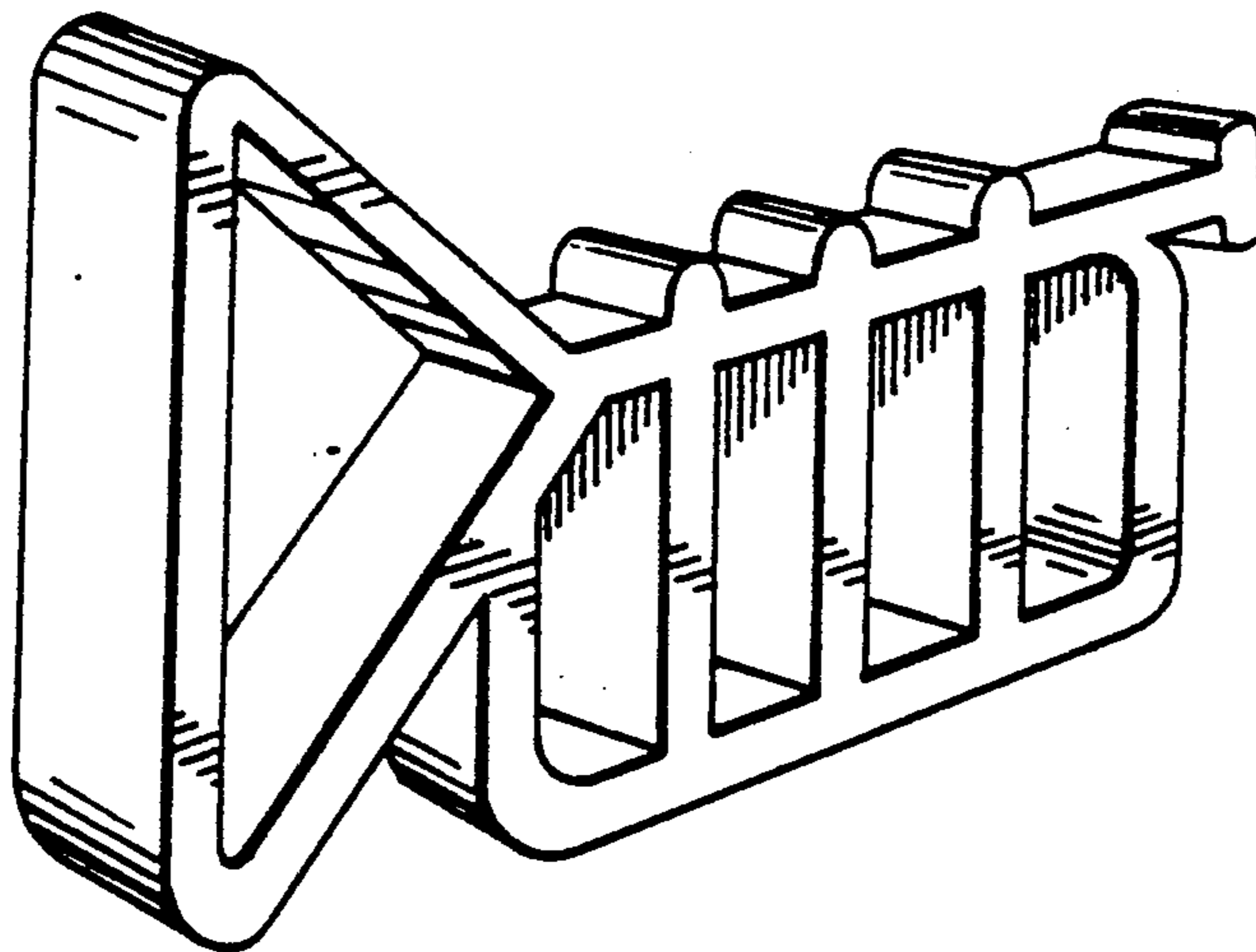


FIG. 1

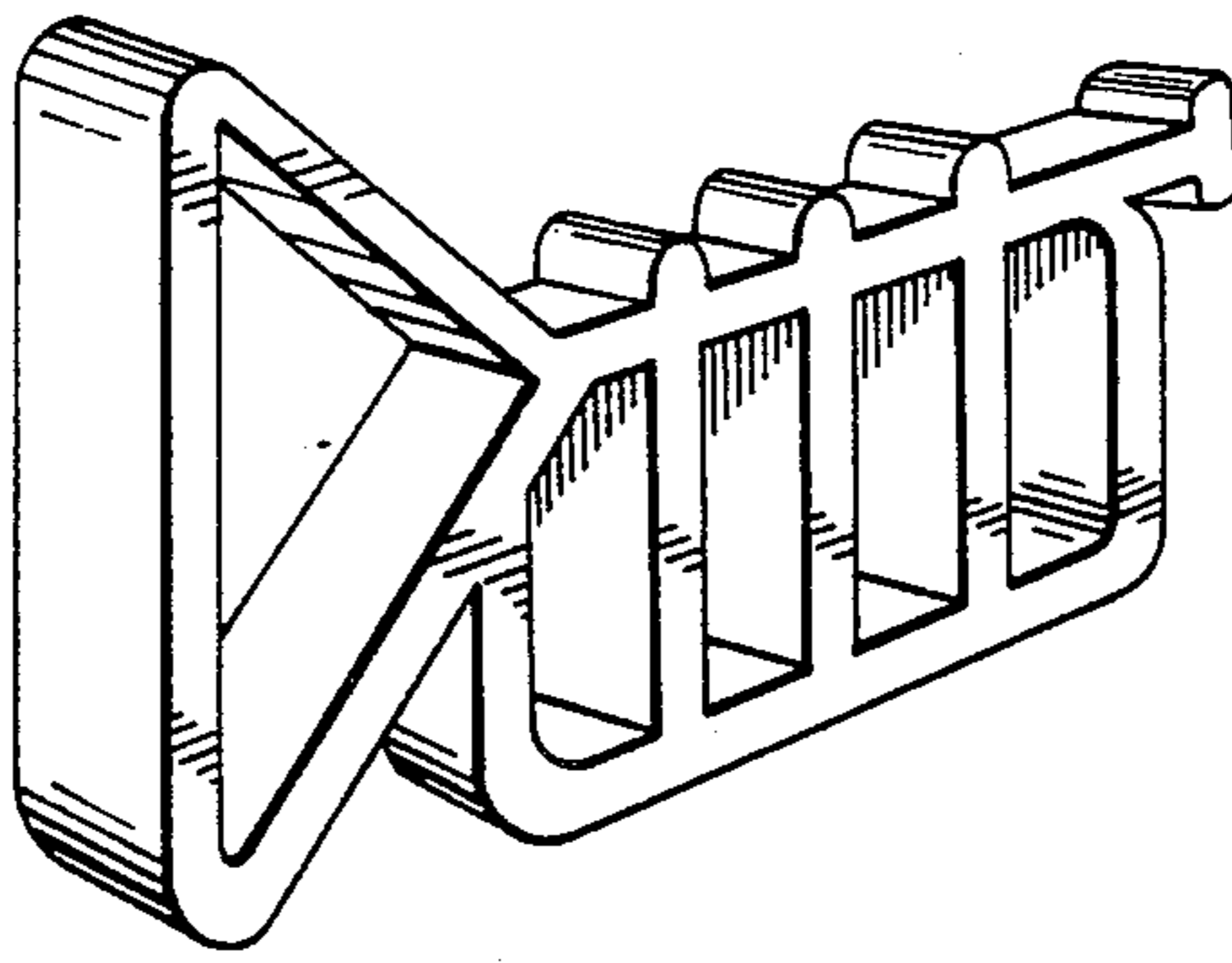


FIG. 2



FIG. 4



FIG. 3

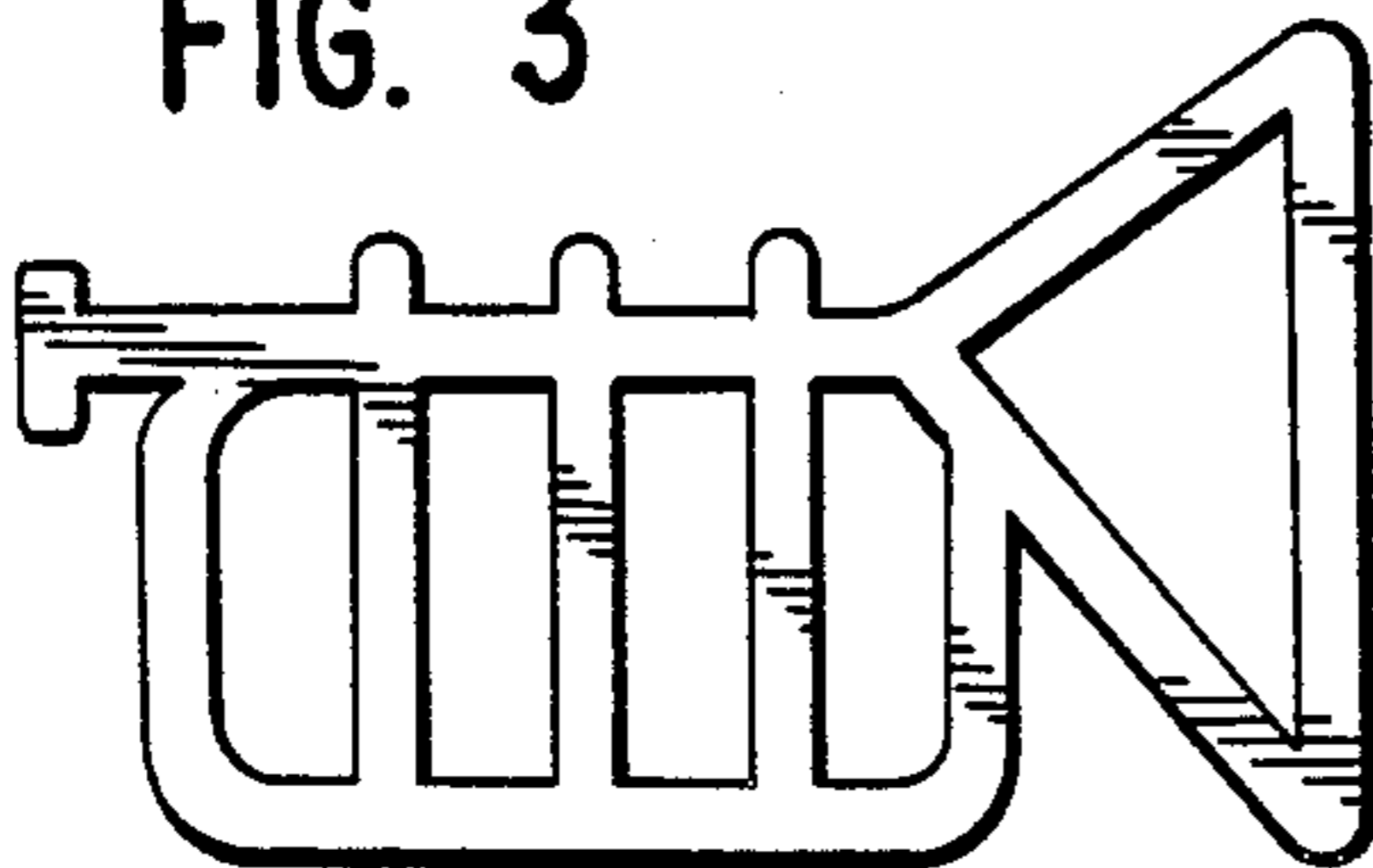


FIG. 5



FIG. 6