

- [54] ANESTHESIA AND RESPIRATORY FACE MASK
- [75] Inventor: Harry L. Wingler, Indianapolis, Ind.
- [73] Assignee: Anesthesia Respiratory Technology, Inc., Noblesville, Ind.
- [**] Term: 14 Years
- [21] Appl. No.: 799,267
- [22] Filed: Nov. 18, 1985
- [52] U.S. Cl. D29/7
- [58] Field of Search D29/6, 7, 8; 128/206.26, 206.24

- 4,062,357 12/1977 Laerdal 128/206.26
- 4,328,797 5/1982 Rollins, III et al. 128/206.24
- 4,337,767 7/1982 Yahata 128/206.26

Primary Examiner—James M. Gandy
Assistant Examiner—Kay H. Chin
Attorney, Agent, or Firm—Woodard, Emhardt, Naughton, Moriarty & McNett

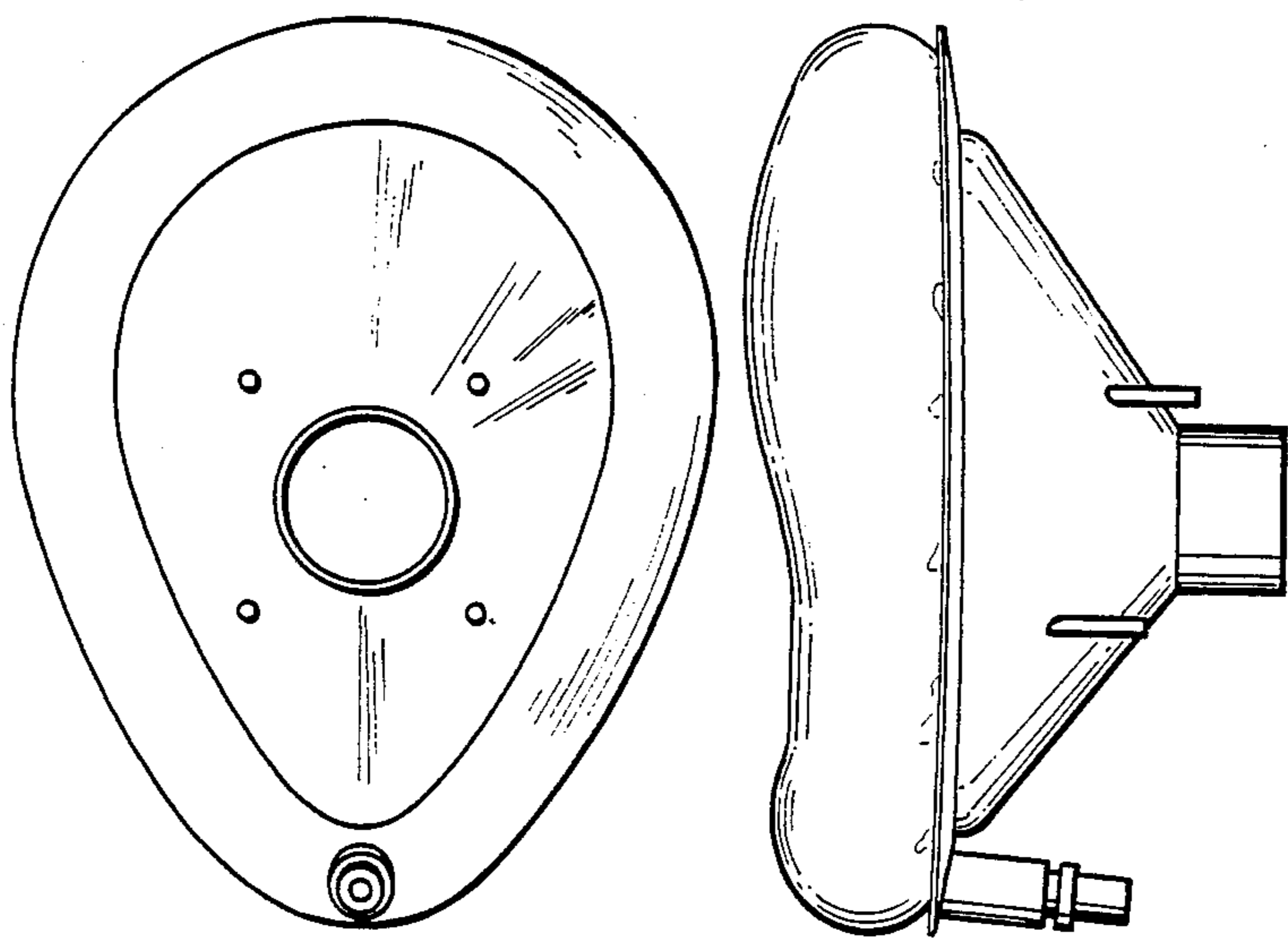
[57] CLAIM

The ornamental design for an anesthesia and respiratory face mask, as shown and described.

DESCRIPTION

FIG. 1 is a front elevational view of an anesthesia and respiratory face mask showing my new design;
 FIG. 2 is a side elevational view thereof, the opposite side elevational view being a mirror image of that shown;
 FIG. 3 is a top plan view thereof;
 FIG. 4 is a bottom plan view thereof; and
 FIG. 5 is a rear elevational view thereof.

- [56] **References Cited**
- U.S. PATENT DOCUMENTS**
- D. 236,033 7/1975 Dryden D29/8
- D. 285,496 9/1986 Berman D29/8
- 2,666,432 1/1954 Stanton 128/206.26
- 3,315,674 4/1967 Bloom et al. D29/8



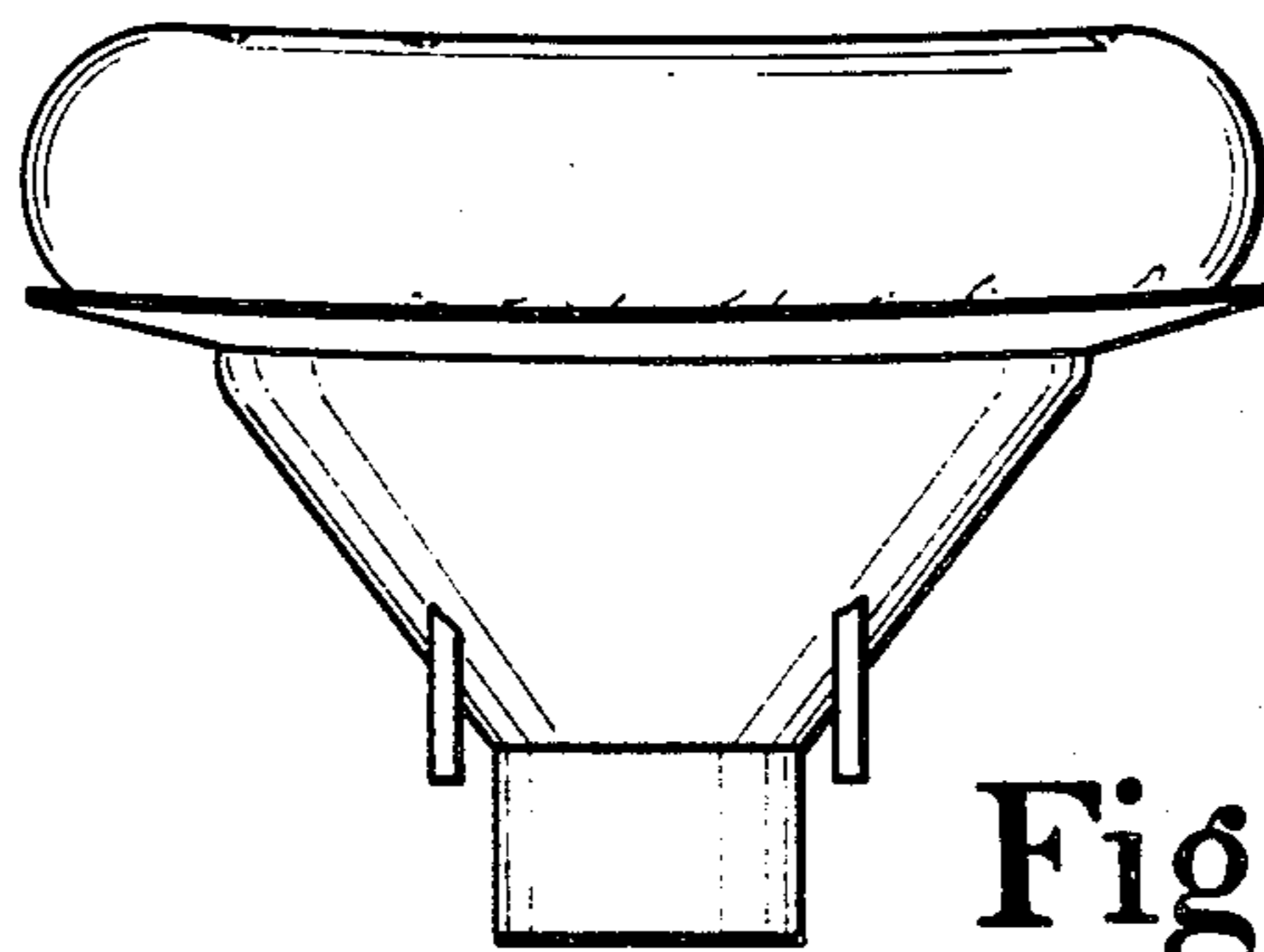


Fig. 3

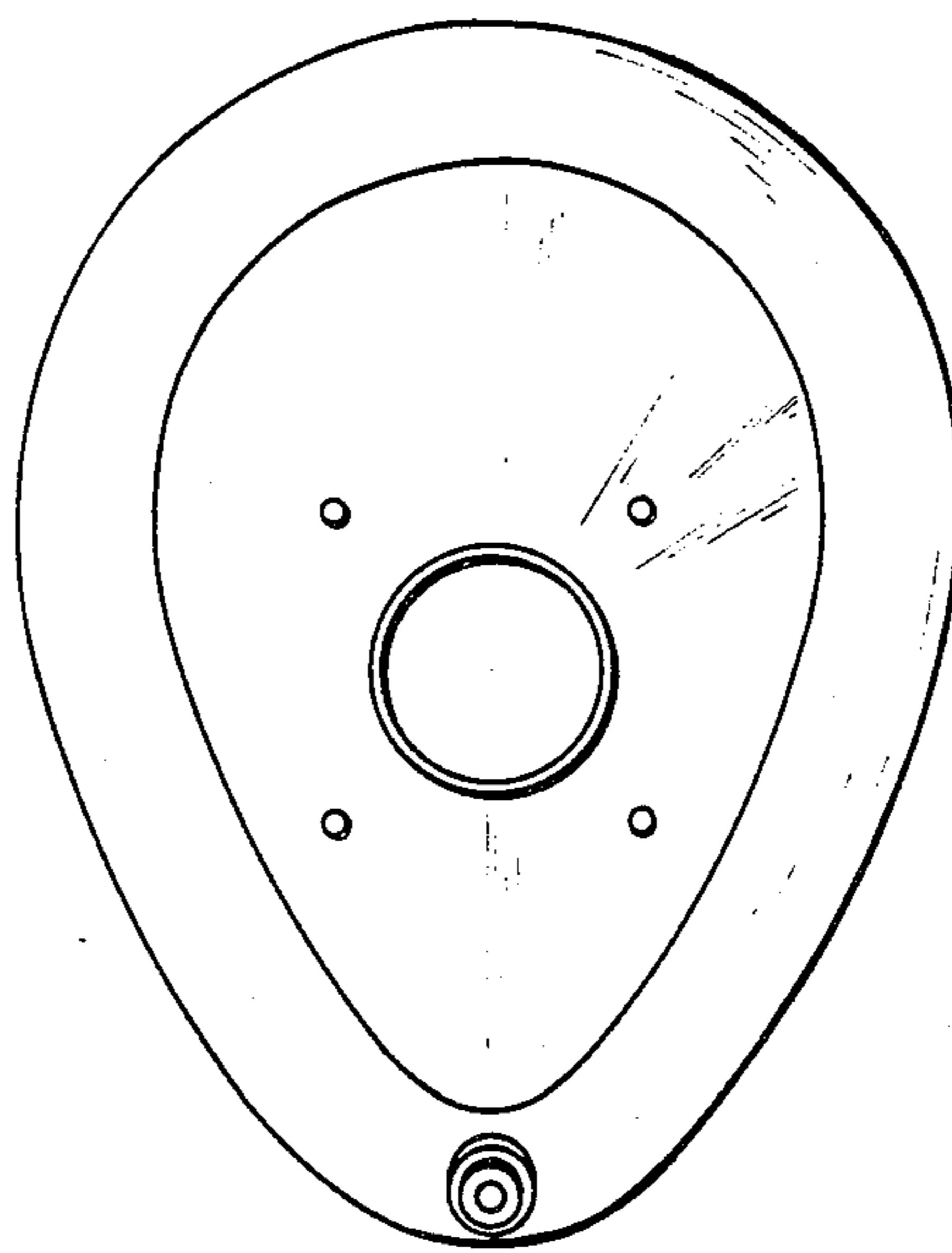


Fig. 1

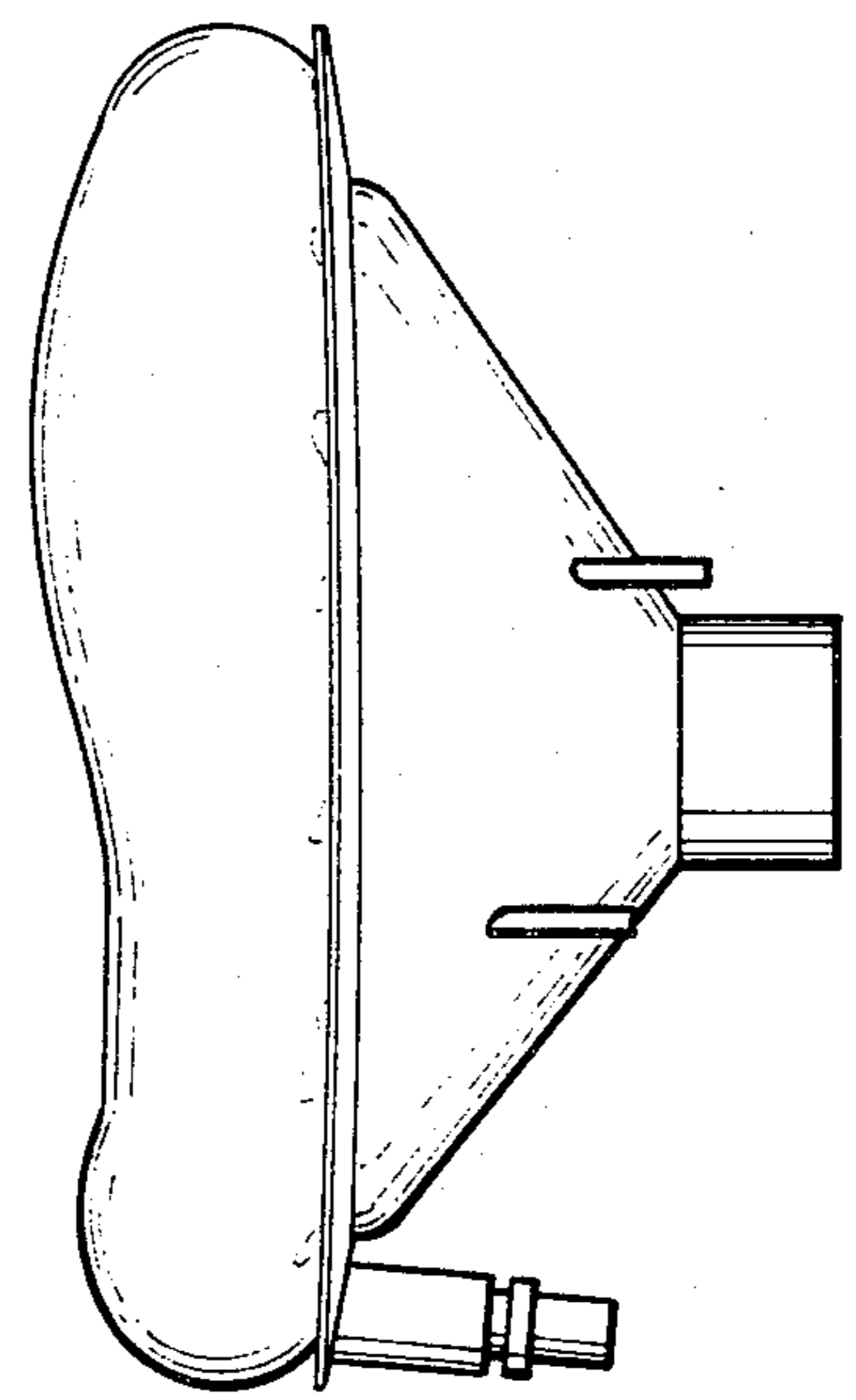


Fig. 2

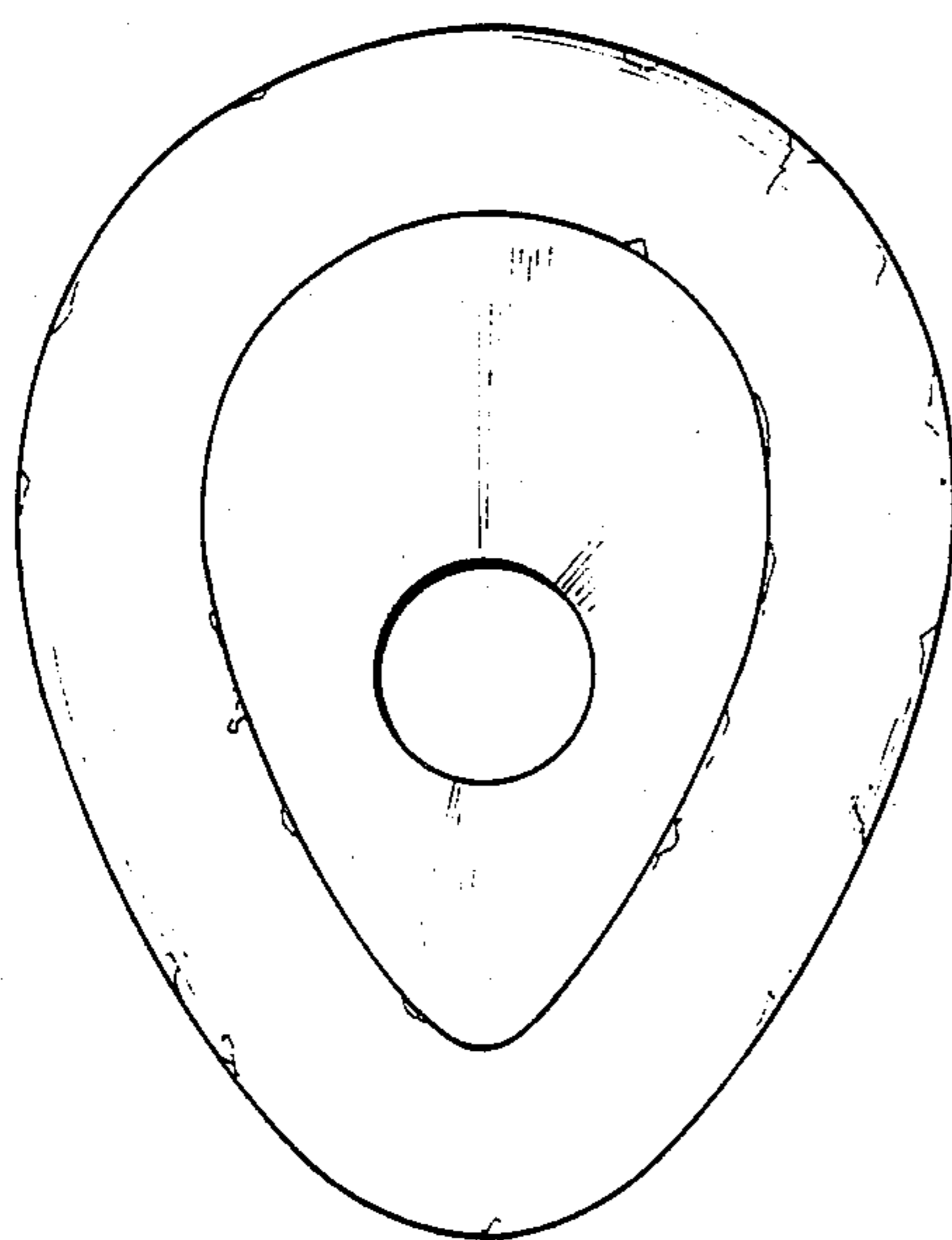


Fig. 5

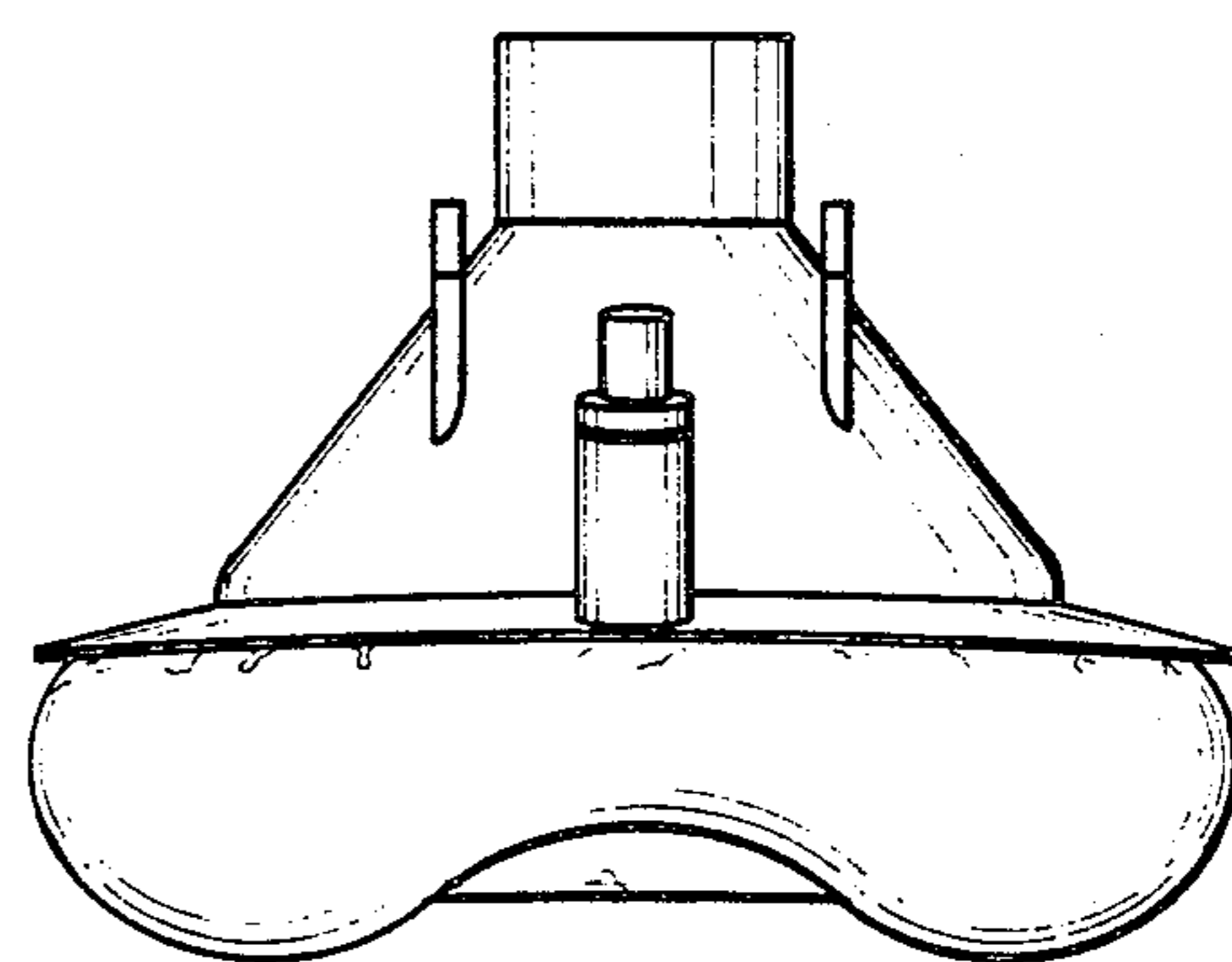


Fig. 4