

[54] COSMETIC KIT

4,421,127 12/1983 Geer 206/235
4,595,028 6/1986 Yuhara 132/79 R

[75] Inventor: Helen C. Bulwik, Hayward, Calif.

Primary Examiner—Louis S. Zarfaz
Attorney, Agent, or Firm—Owen, Wickersham & Erickson

[73] Assignee: Sanca International Inc., San Francisco, Calif.

[**] Term: 14 Years

[57] CLAIM

[21] Appl. No.: 804,175

The ornamental design for a cosmetic kit, substantially as shown and described.

[22] Filed: Dec. 3, 1985

DESCRIPTION

[52] U.S. Cl. D28/83

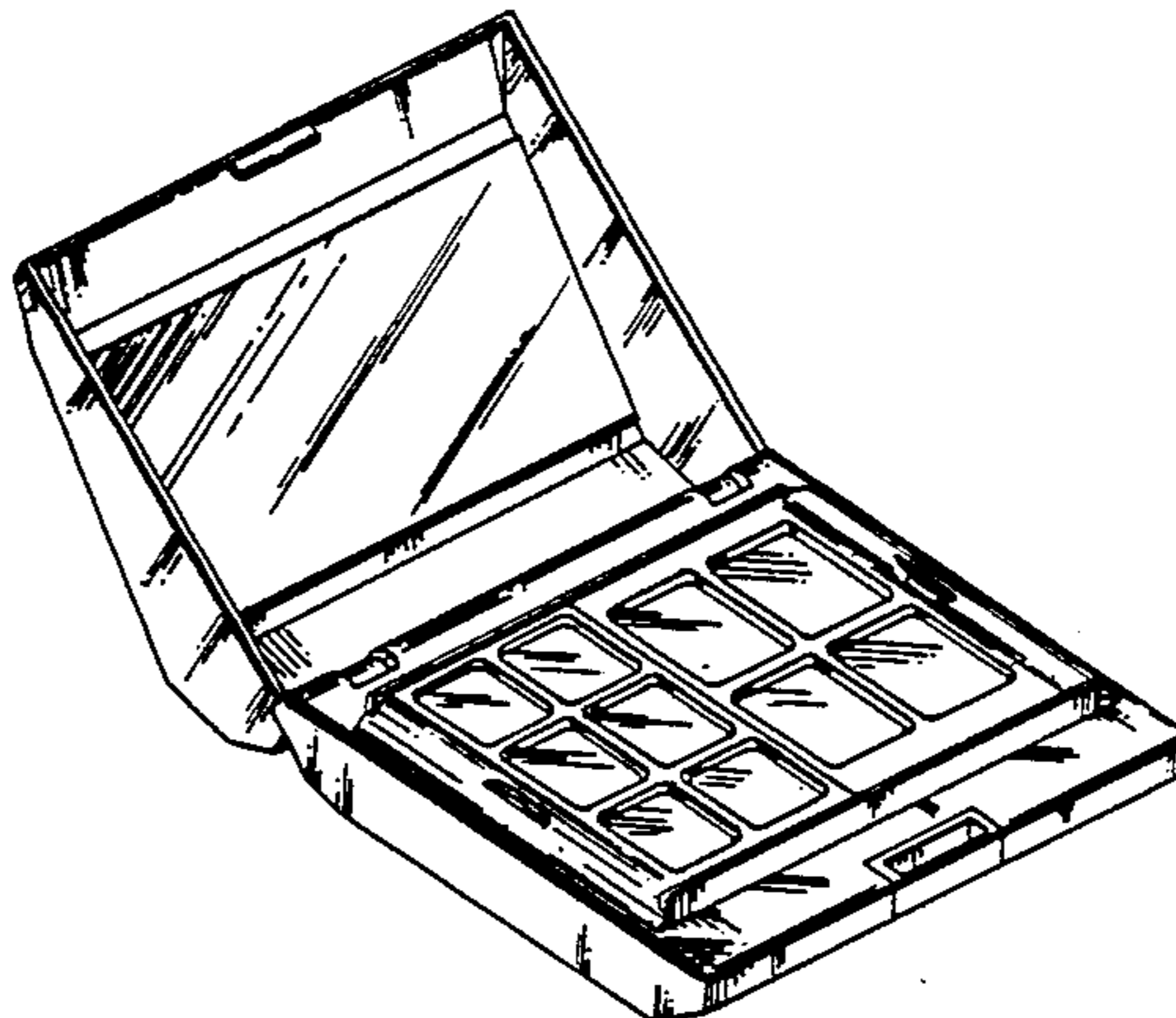
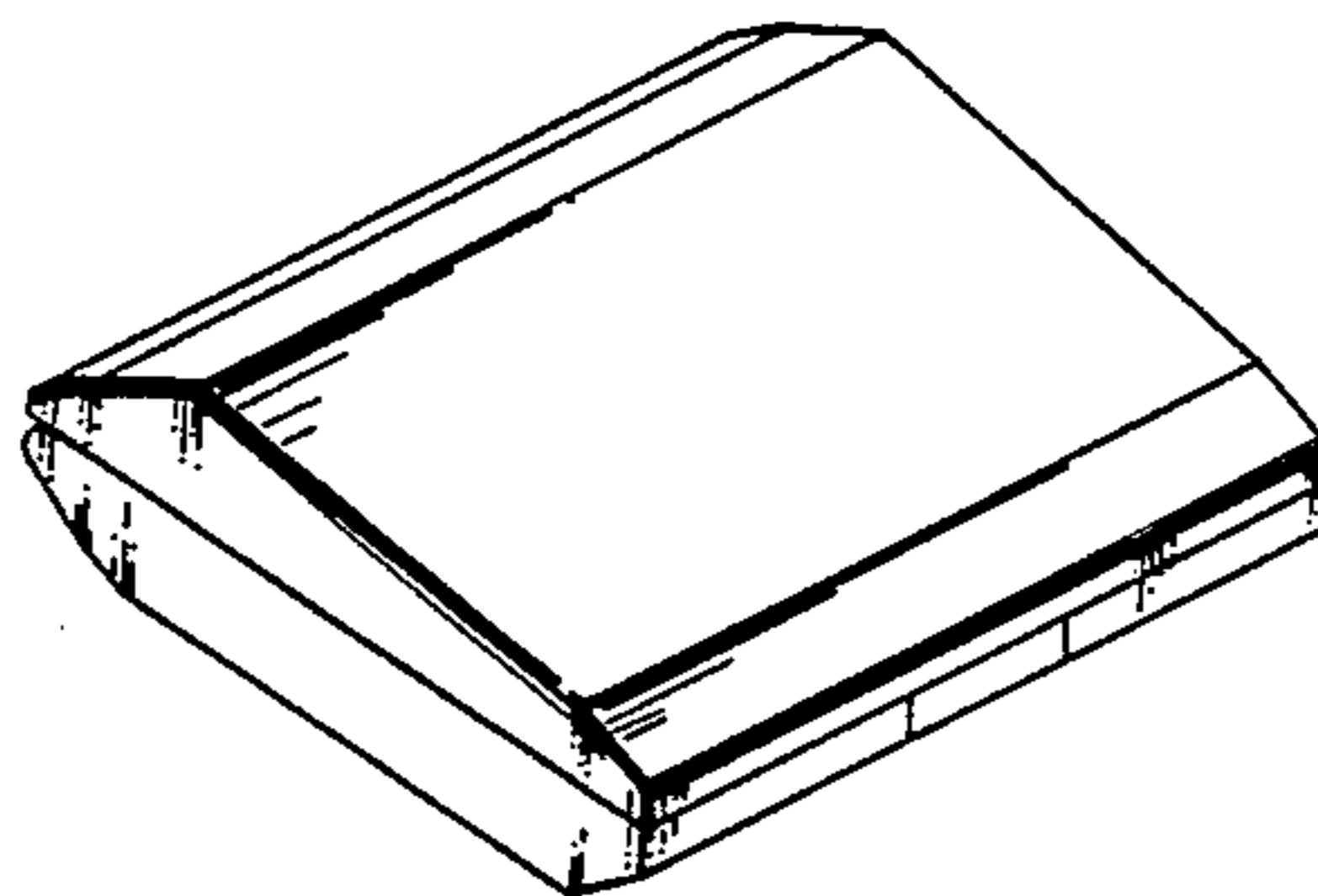
[58] Field of Search D28/4-8,
D28/38, 61, 73, 77-91.1; D3/39; 206/581, 235,
385, 823; 220/DIG. 26; D9/341, 347, 337, 338,
420, 423, 424; 132/1 R, 79 R-79 C, 79 F, 79 G,
83 R, 82 R-82 F, 83 B, 83 E-83 G

FIG. 1 is a perspective view of a cosmetic kit in its closed position, showing my new design;
FIG. 2 is a similar view thereof with the cover partially open;
FIG. 3 is a top plan view thereof with the cover wide open and the top tier slid apart to disclose a lower tier;
FIG. 4 is a top plan view thereof in closed position;
FIG. 5 is a bottom view thereof;
FIG. 6 is a front view thereof;
FIG. 7 is a rear view thereof;
FIG. 8 is a left side elevational view thereof; and
FIG. 9 is a right side elevational view thereof.

[56] References Cited

U.S. PATENT DOCUMENTS

1,908,132 5/1933 Duell et al. D28/78 X
3,737,216 6/1973 Noda 132/83 R
4,331,168 5/1982 Hatakeyama 220/DIG. 26



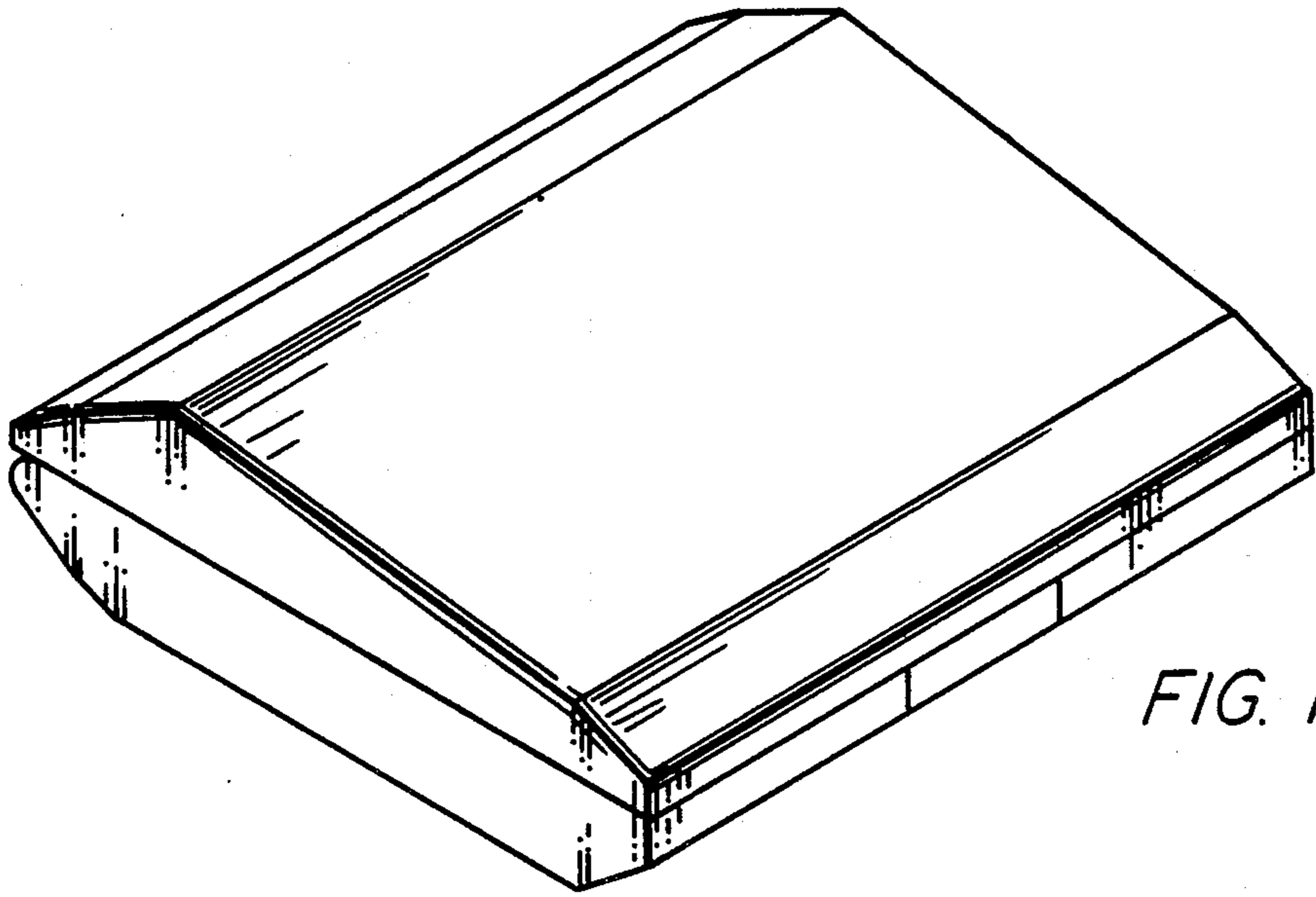


FIG. 1

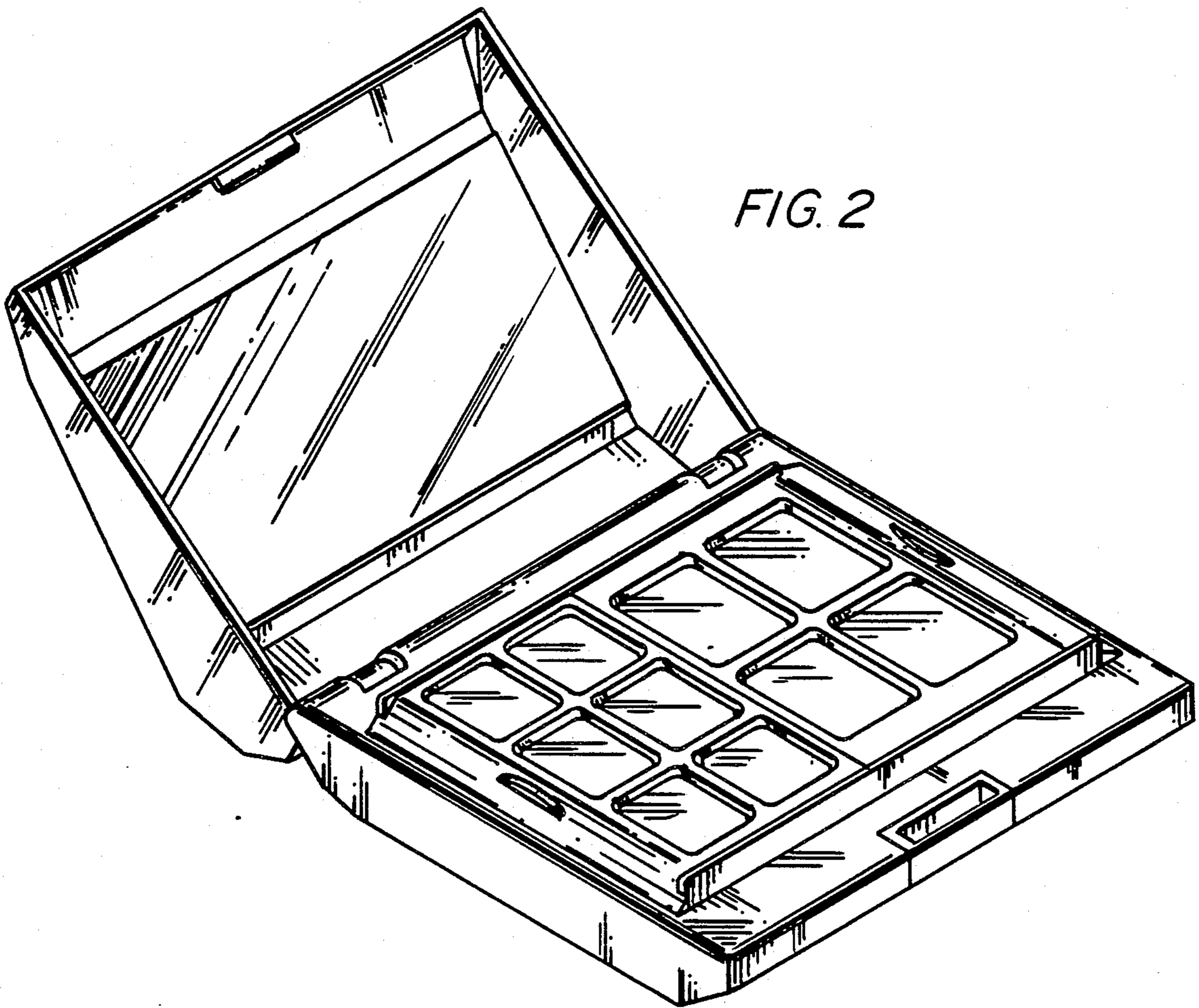


FIG. 2

FIG. 3

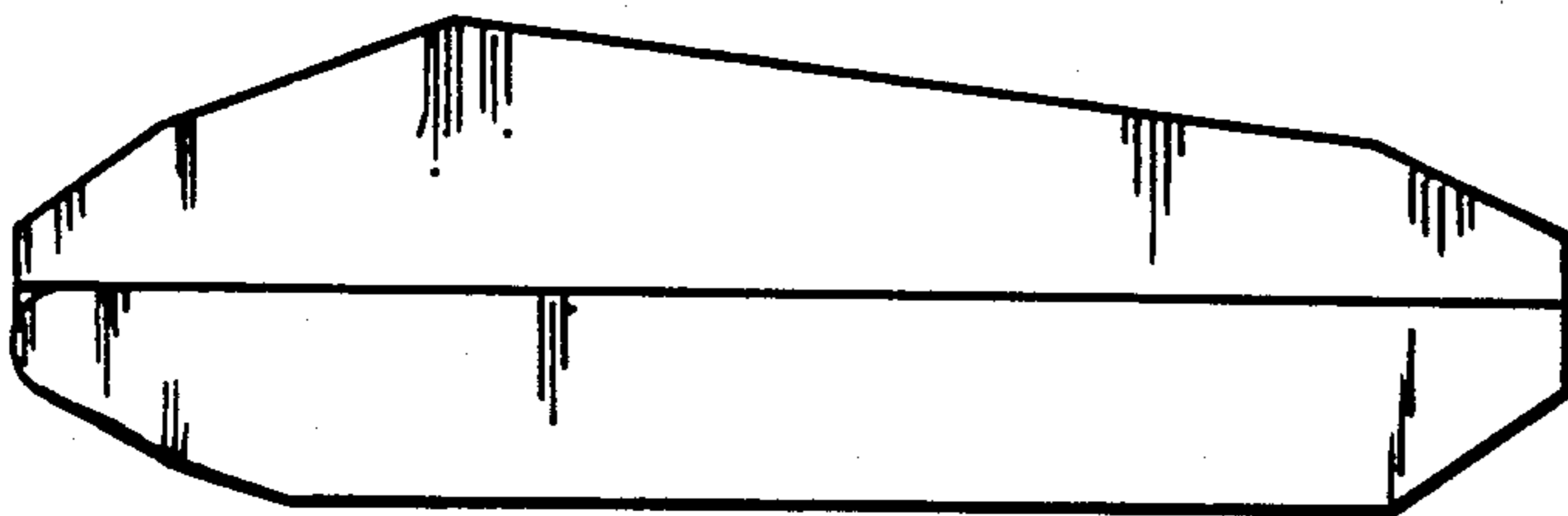
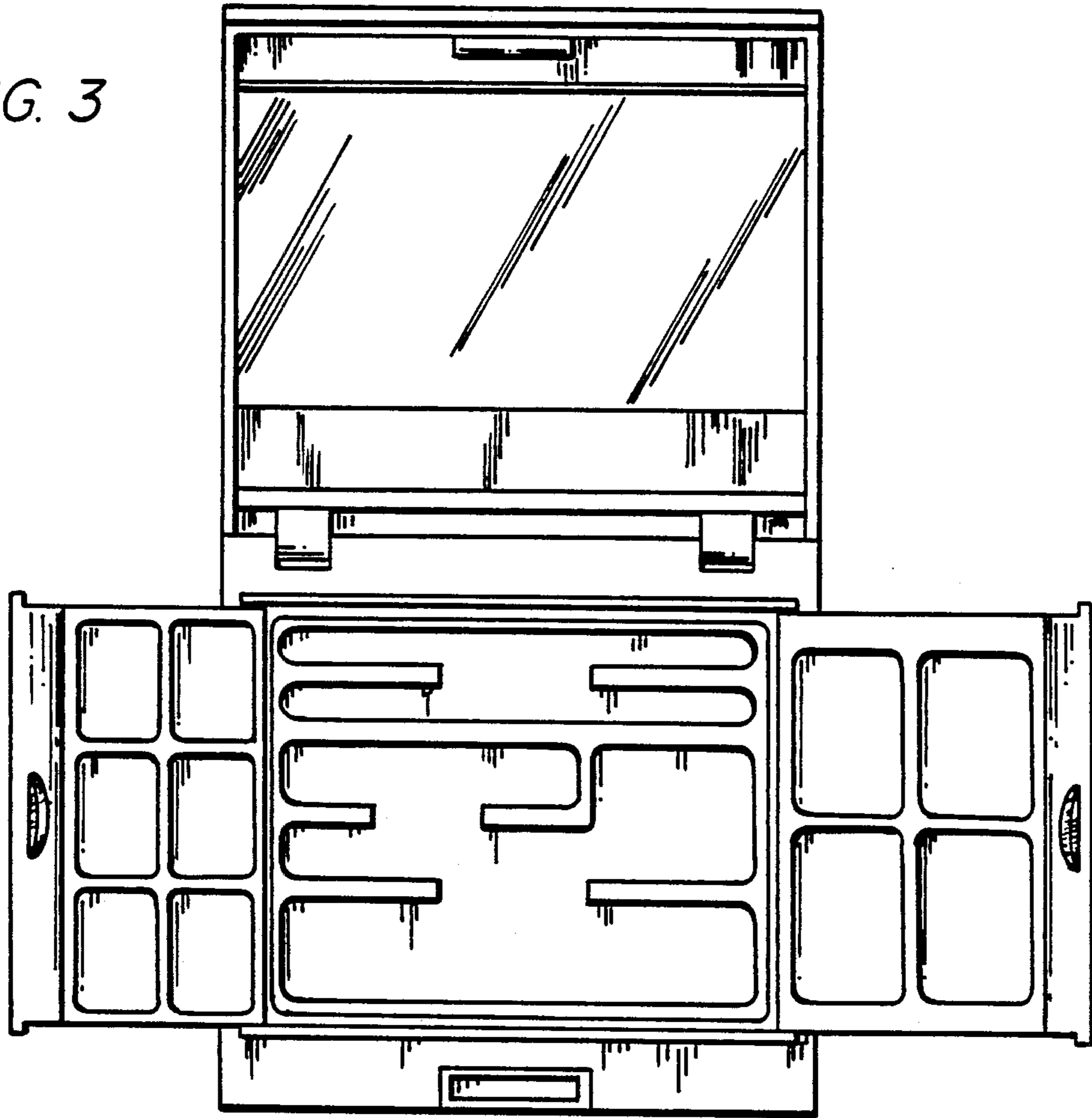


FIG. 8

FIG. 9

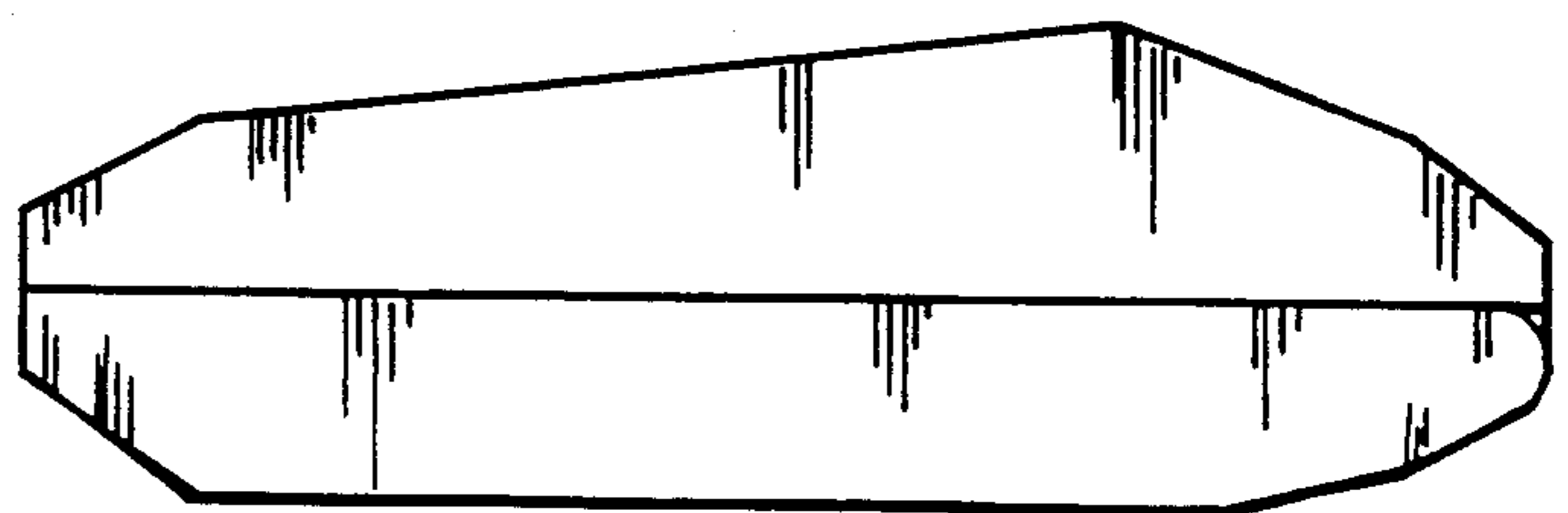


FIG. 5

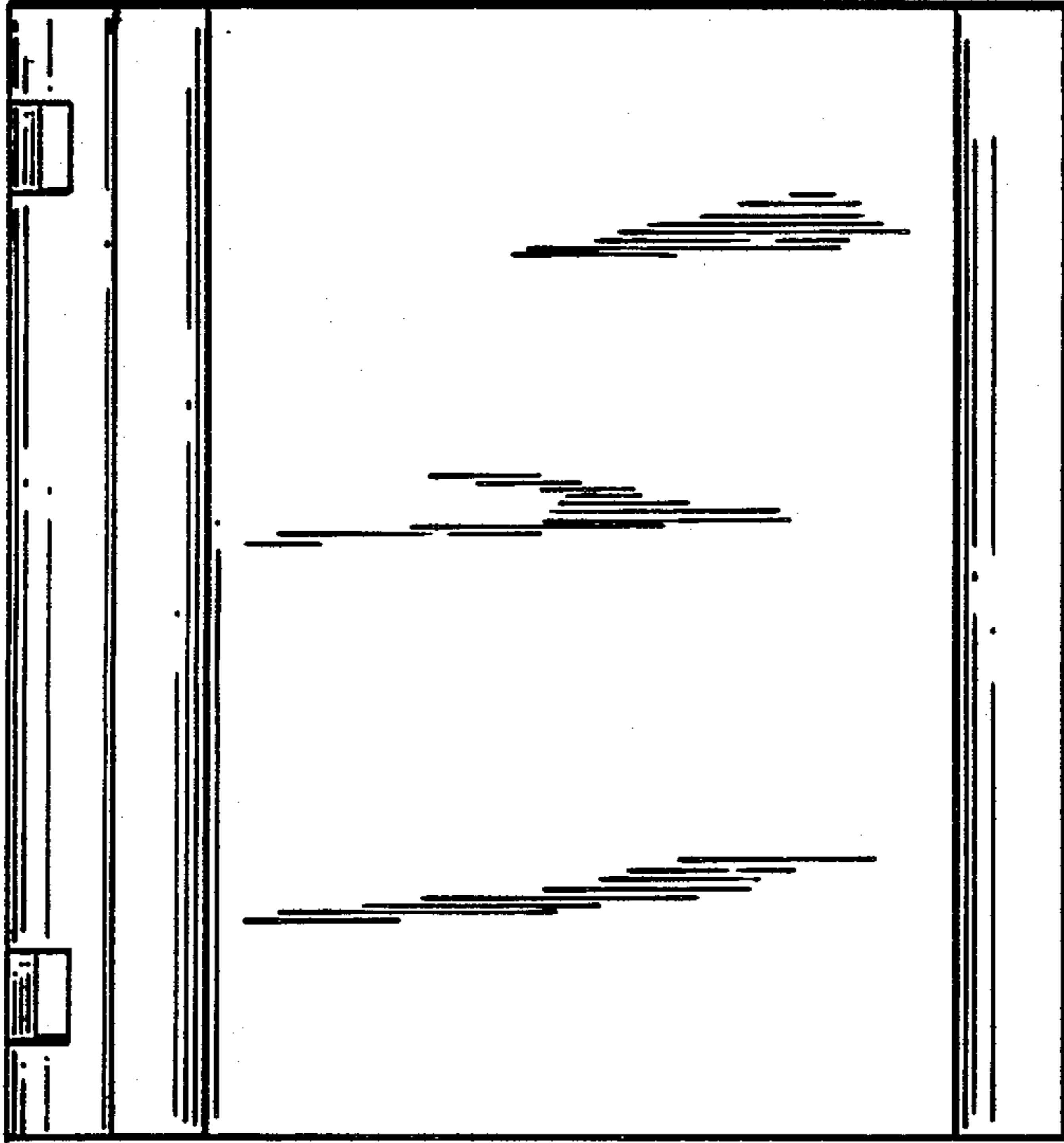


FIG. 7

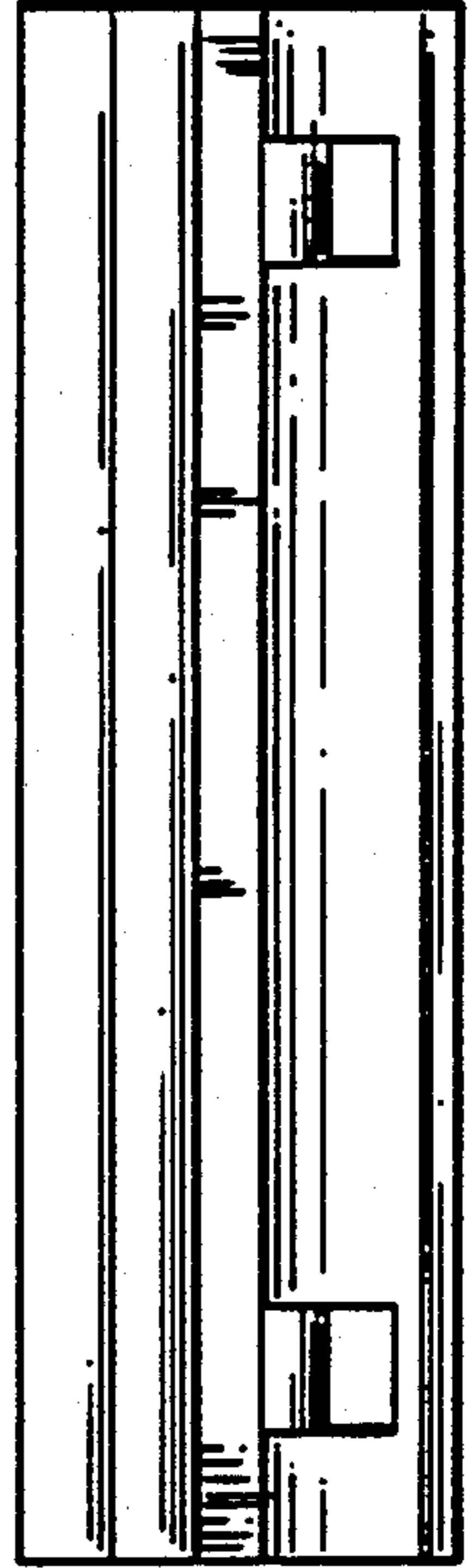


FIG. 4

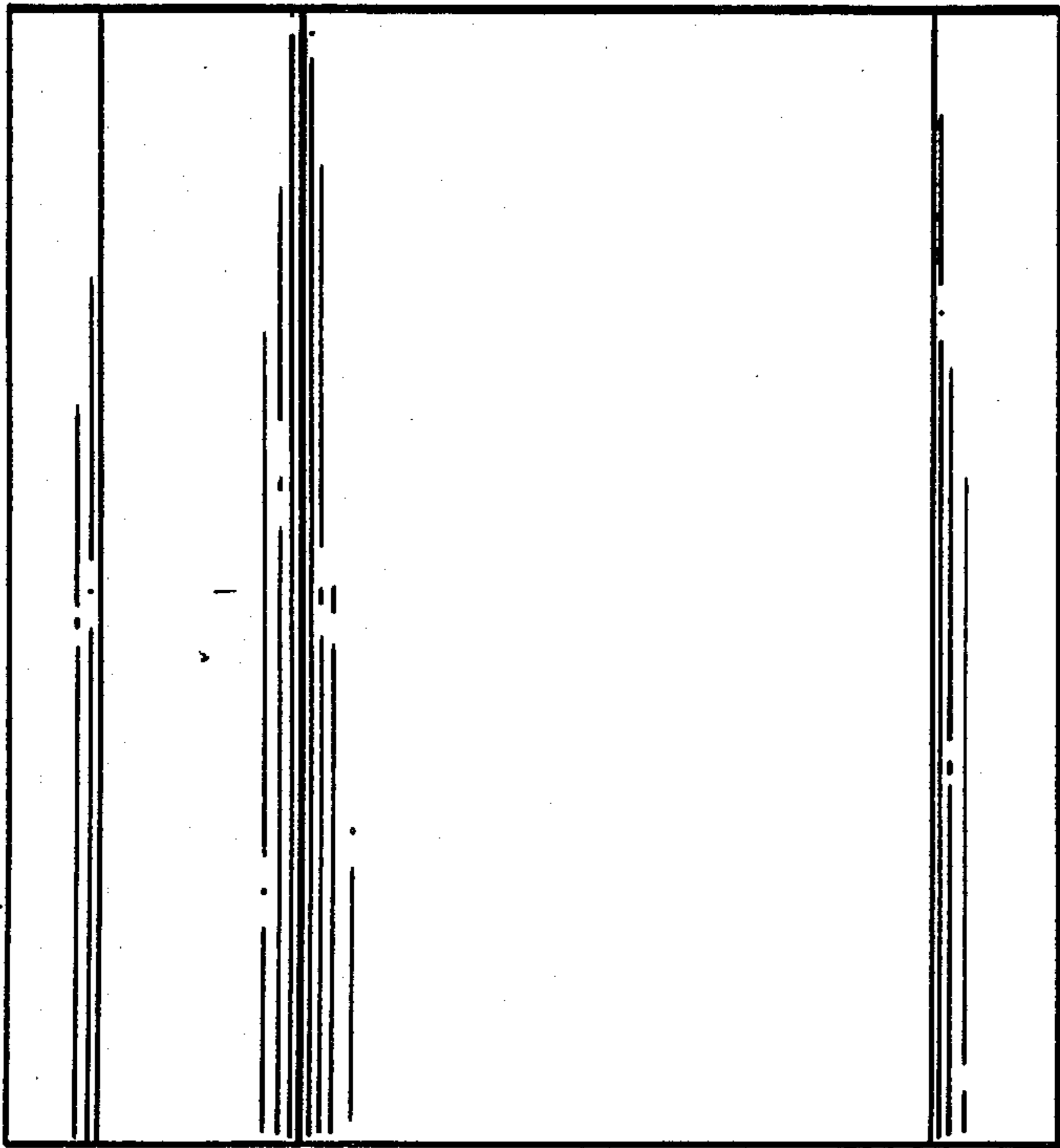


FIG. 6

