

[54] DENTAL FLOSS HOLDER

[75] Inventor: Dale E. Tenny, Sunnyvale, Calif.

[73] Assignee: Home Health and Safety, Sunnyvale, Calif.

[**] Term: 14 Years

[21] Appl. No.: 765,804

[22] Filed: Aug. 15, 1985

[52] U.S. Cl. D28/64

[58] Field of Search D28/64; 132/89, 1, 93

[56] References Cited

U.S. PATENT DOCUMENTS

- D. 244,376 5/1977 Chodorow D28/64
- D. 244,609 6/1977 Chodorow D28/64

- D. 250,214 11/1978 Chodorow D28/64
- 2,217,917 10/1940 Munro 132/92 R
- 2,607,357 8/1952 Talcott 132/92 R

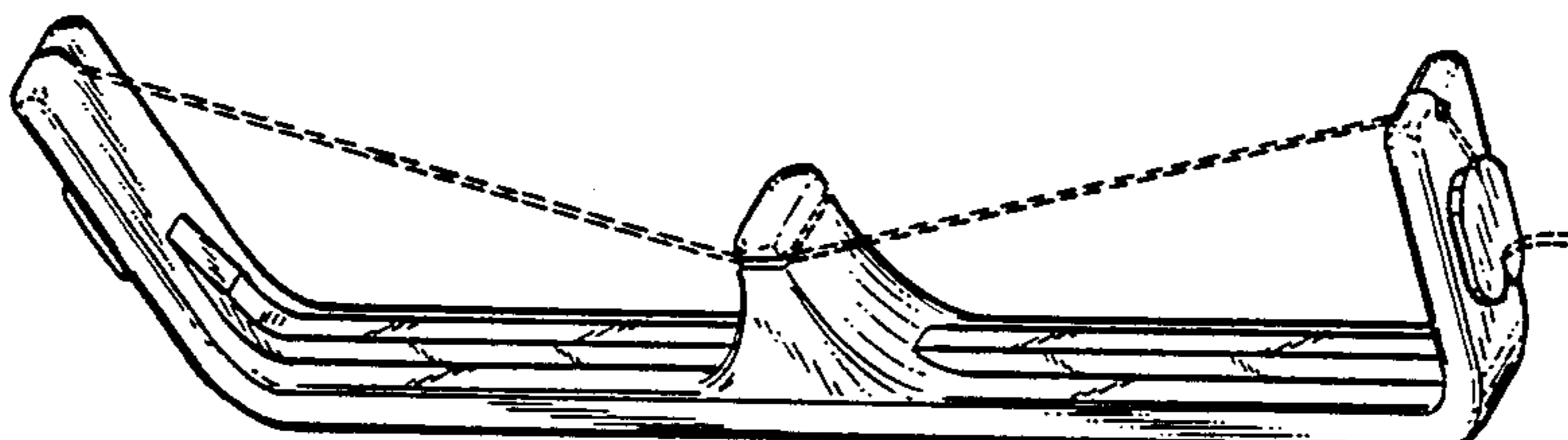
Primary Examiner—James M. Gandy
Assistant Examiner—Kay H. Chin

[57] CLAIM

The ornamental design for a dental floss holder, as shown and described.

DESCRIPTION

FIG. 1 is a perspective view of a dental floss holder showing my new design, the broken lines are for illustrative purposes only;
 FIG. 2 is an end elevational view thereof;
 FIG. 3 is a bottom plan view thereof;
 FIG. 4 is a side elevational view thereof; and,
 FIG. 5 is a top plan view thereof.



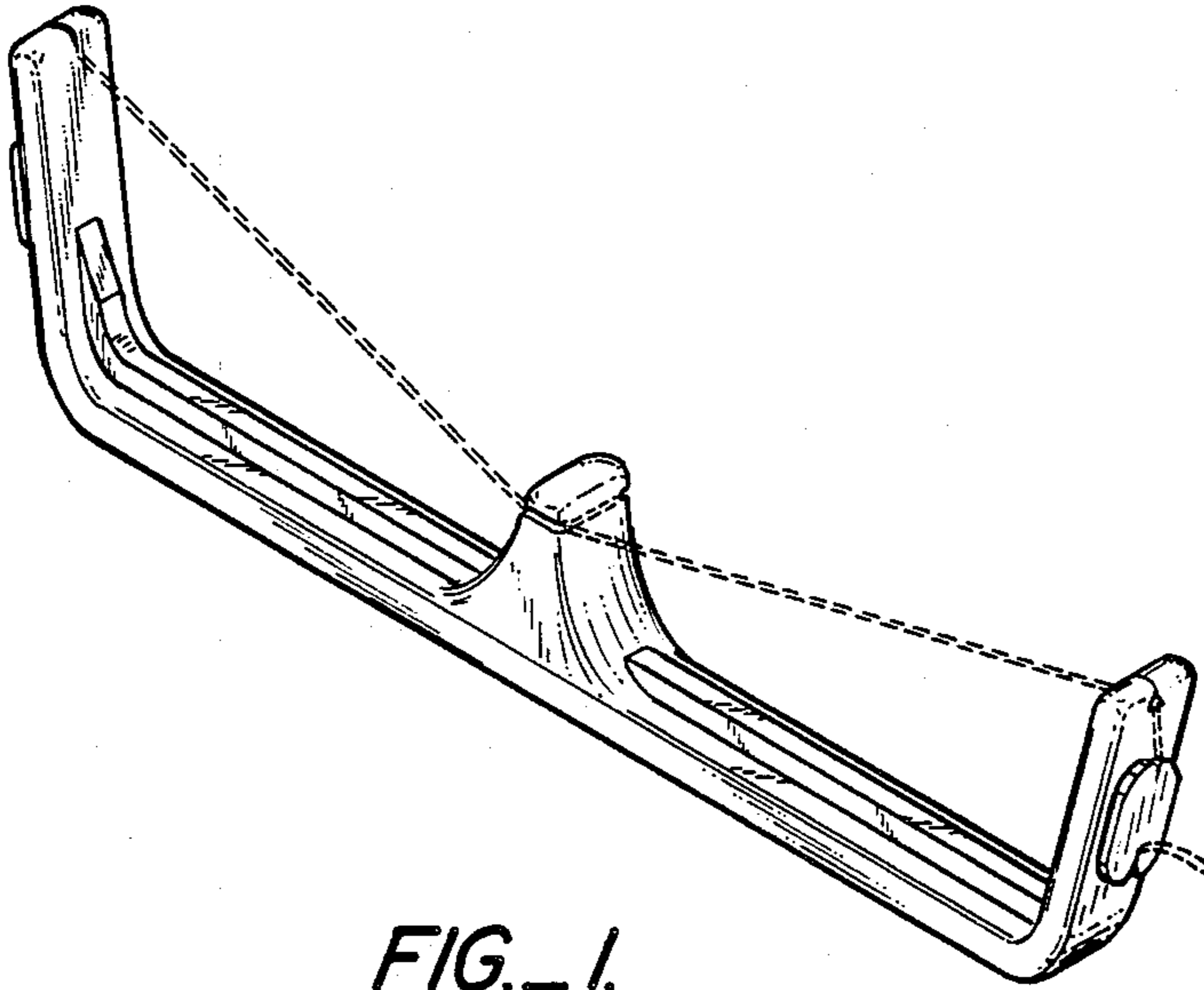


FIG. 1.



FIG. 2.



FIG. 3.

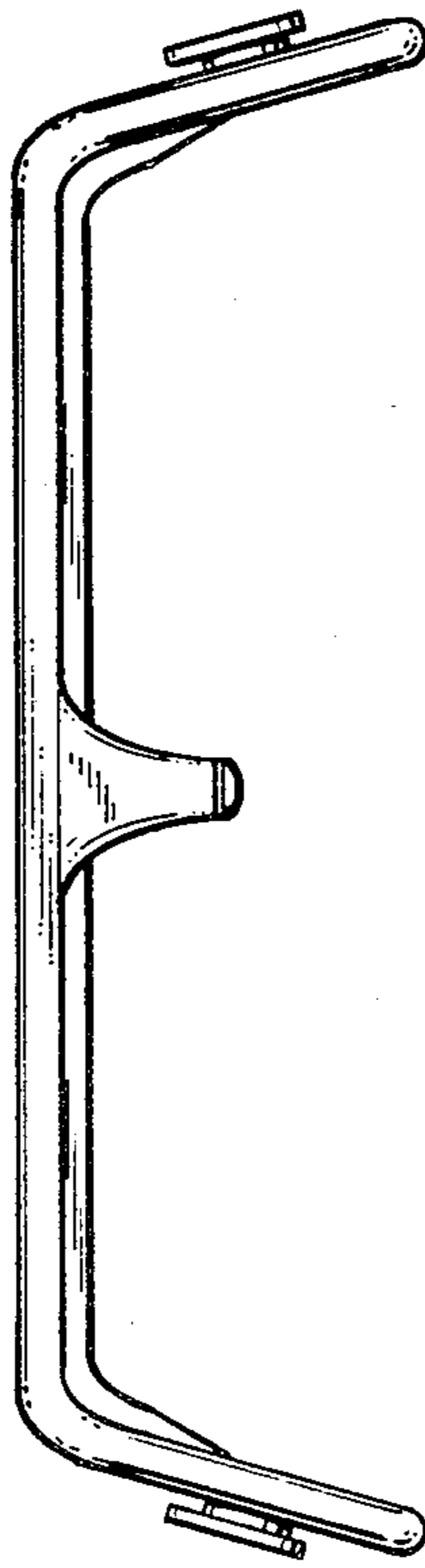


FIG. 4.



FIG. 5.