

[54] **CURLING IRON**

[75] **Inventor: Norman A. Steinkamp, La Grange Park, Ill.**

[73] **Assignee: Sunbeam Corporation, Downers Grove, Ill.**

[\*\*] **Term: 14 Years**

[21] **Appl. No.: 758,187**

[22] **Filed: Jul. 23, 1985**

[52] **U.S. Cl. .... D28/35**

[58] **Field of Search ..... D28/9, 10, 12-20, D28/35; 219/222, 225; 132/5, 7, 9, 32 R, 37 R, 37 A**

[56] **References Cited**

**U.S. PATENT DOCUMENTS**

4,442,849 4/1984 Kawabe ..... 132/37 R

**OTHER PUBLICATIONS**

Housewares, 7/74, p. 117-Crazy Twirler at bottom.

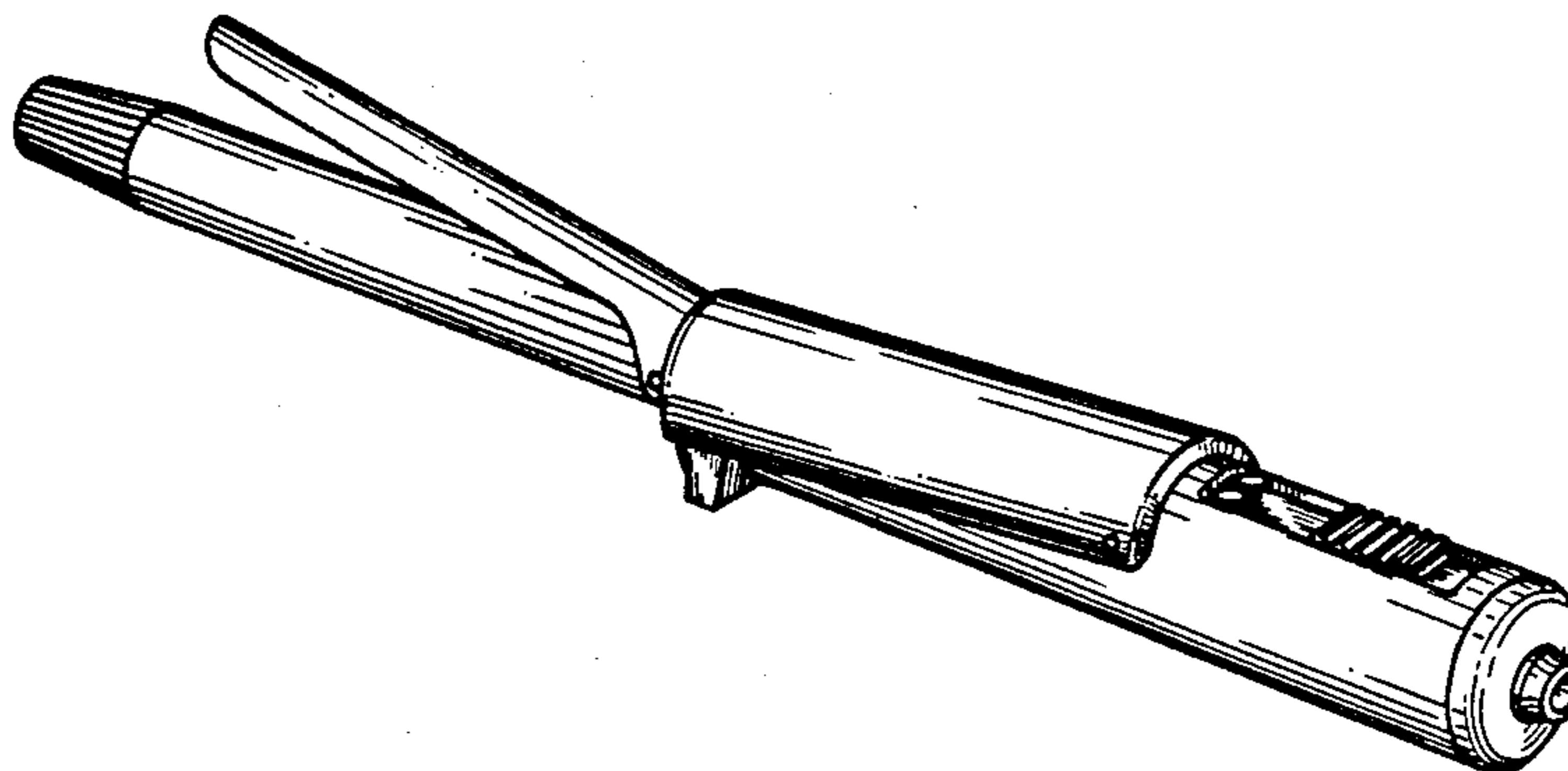
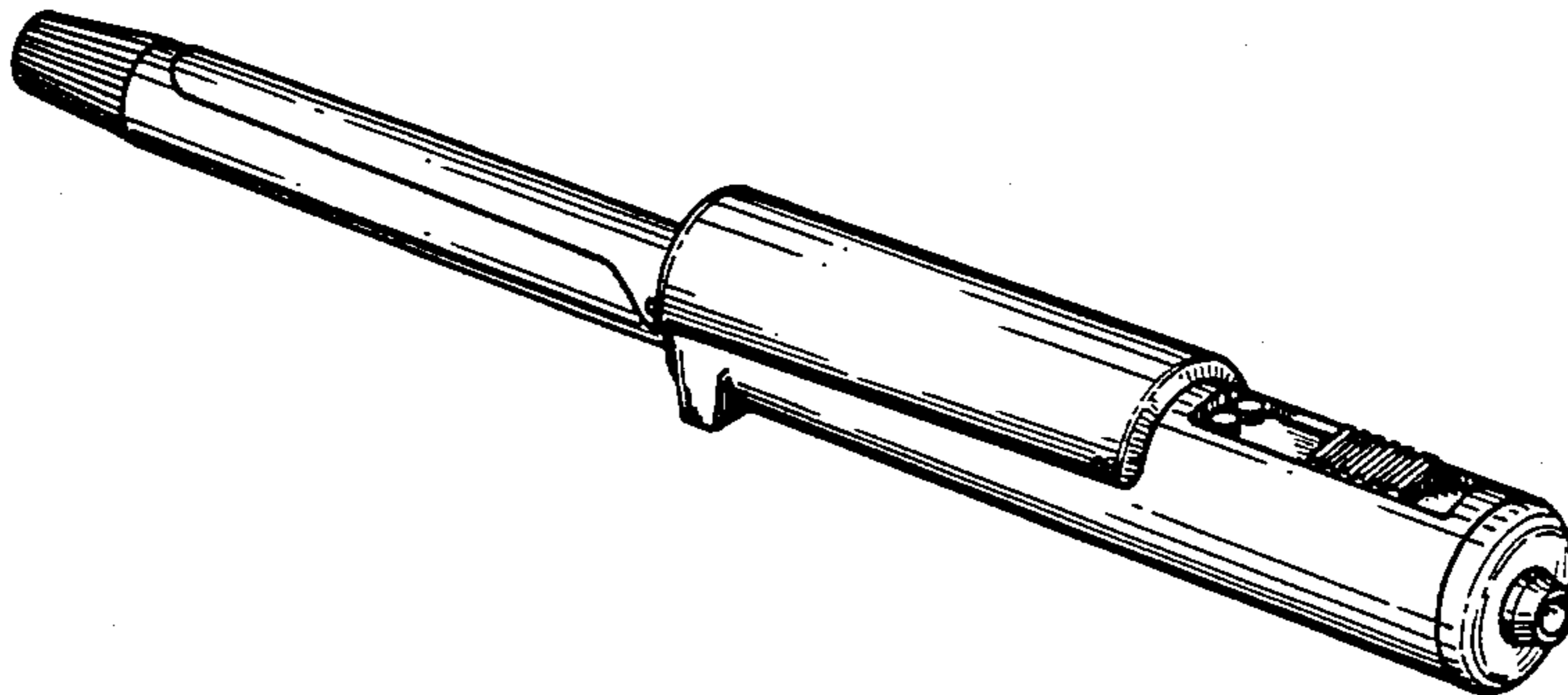
*Primary Examiner*—Louis S. Zarfes  
*Attorney, Agent, or Firm*—Neil M. Rose

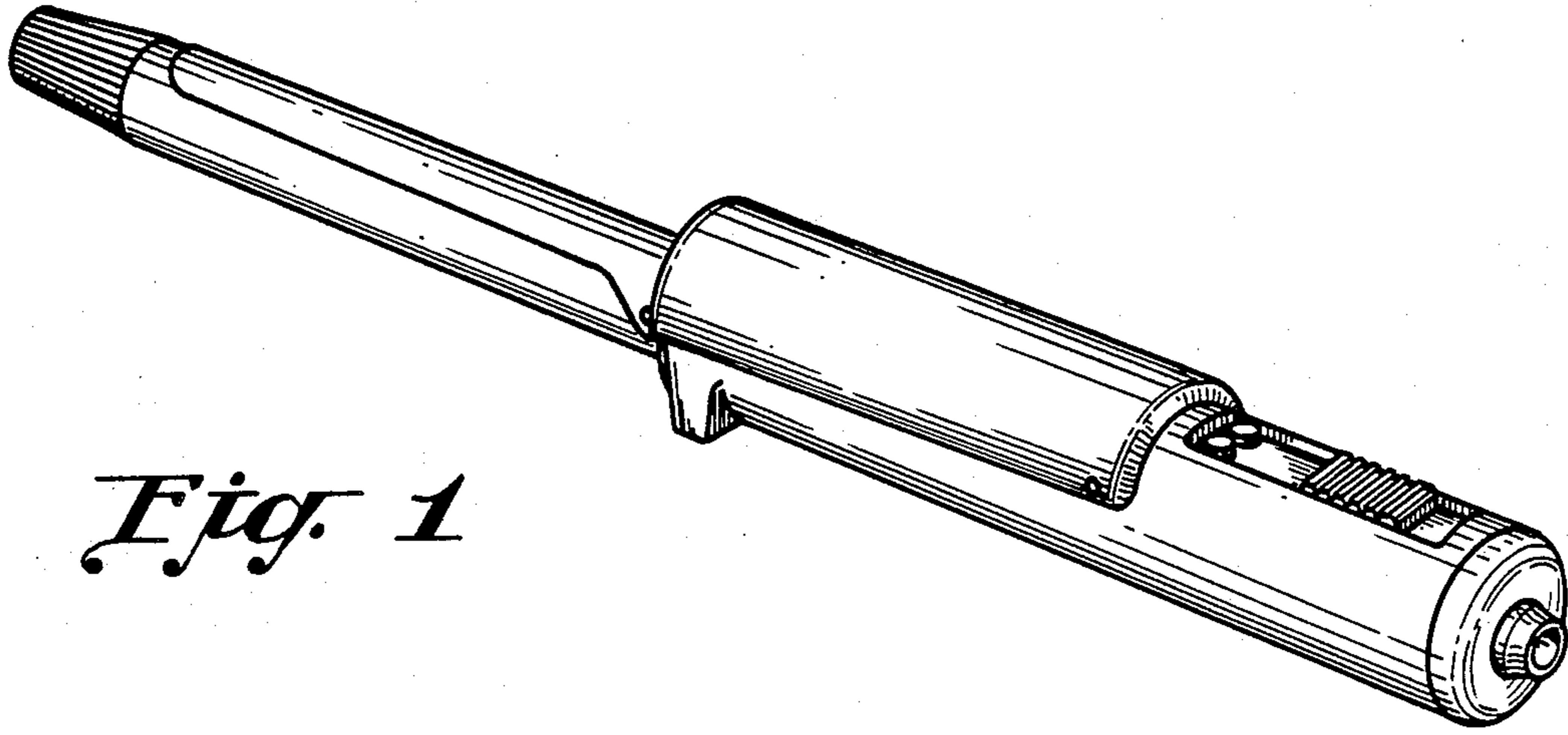
[57] **CLAIM**

The ornamental design for a curling iron, as shown and described.

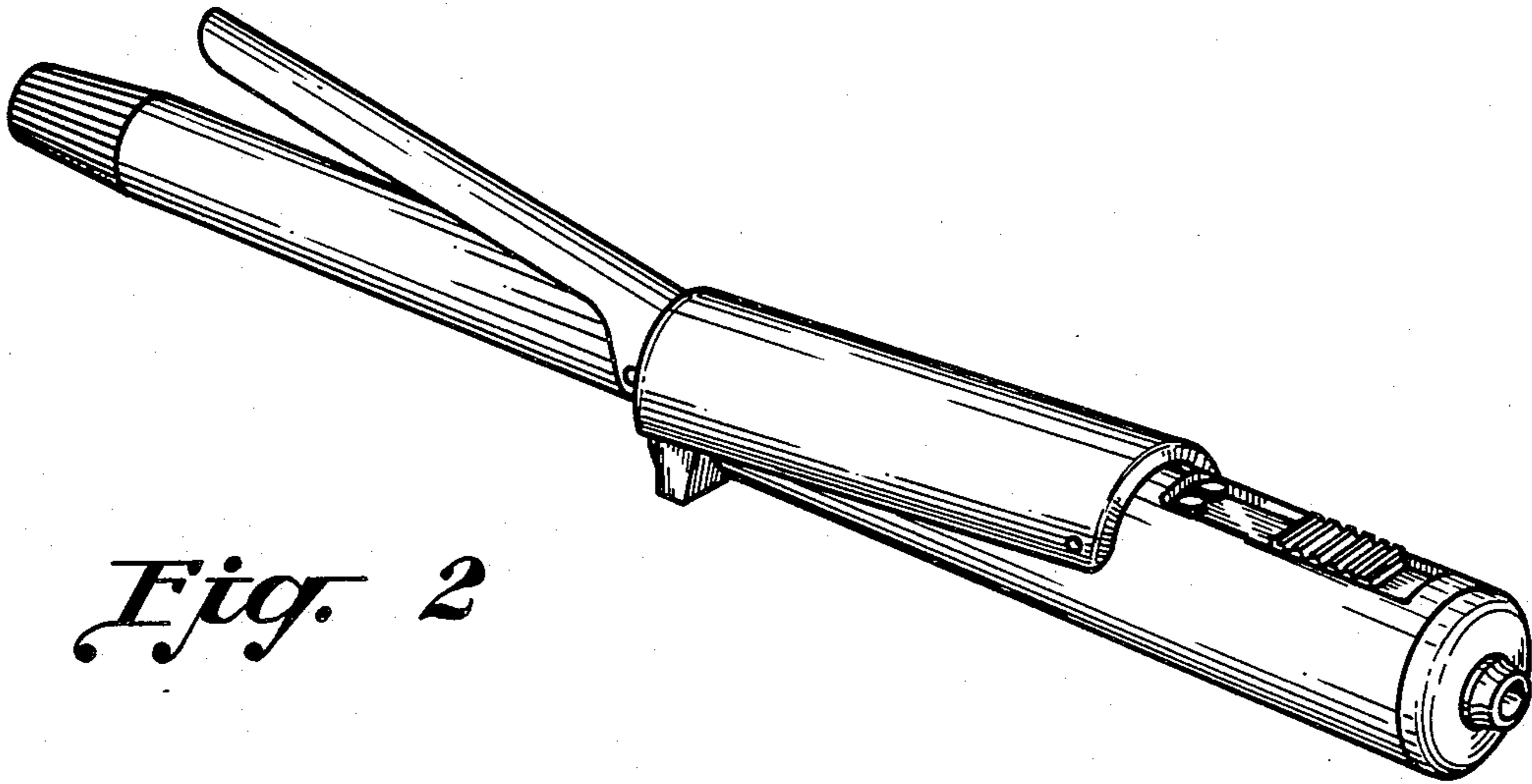
**DESCRIPTION**

FIG. 1 is a perspective view of a curling iron showing my new design with the clamp in its closed position; FIG. 2 is a perspective view thereof with the clamp shown in its raised position; FIG. 3 is a front end elevational view thereof; FIG. 4 is a rear end elevational view thereof; FIG. 5 is a top plan view thereof; FIG. 6 is a side elevational view thereof, the two side elevational views being mirror images of one another; and FIG. 7 is a bottom plan view thereof.

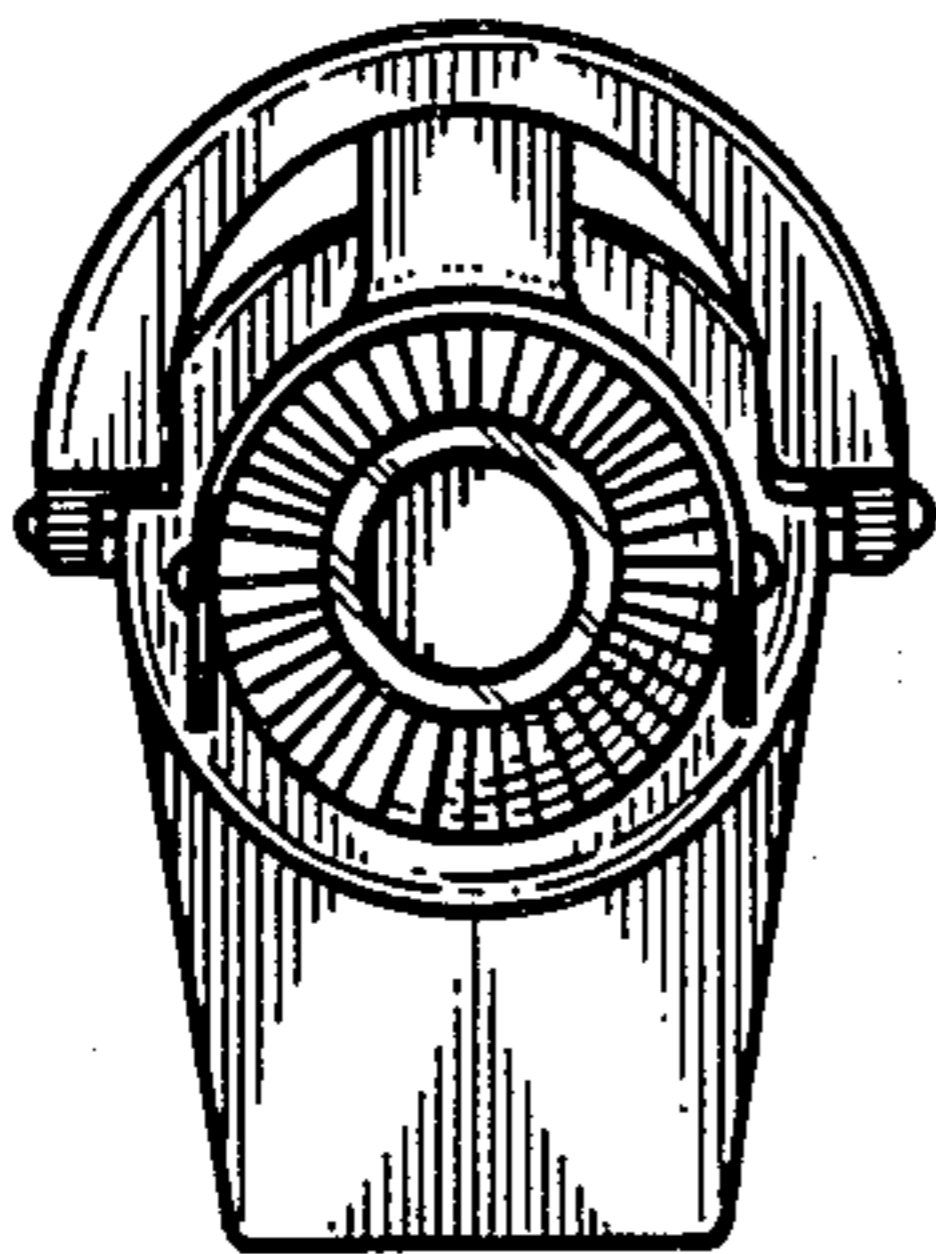




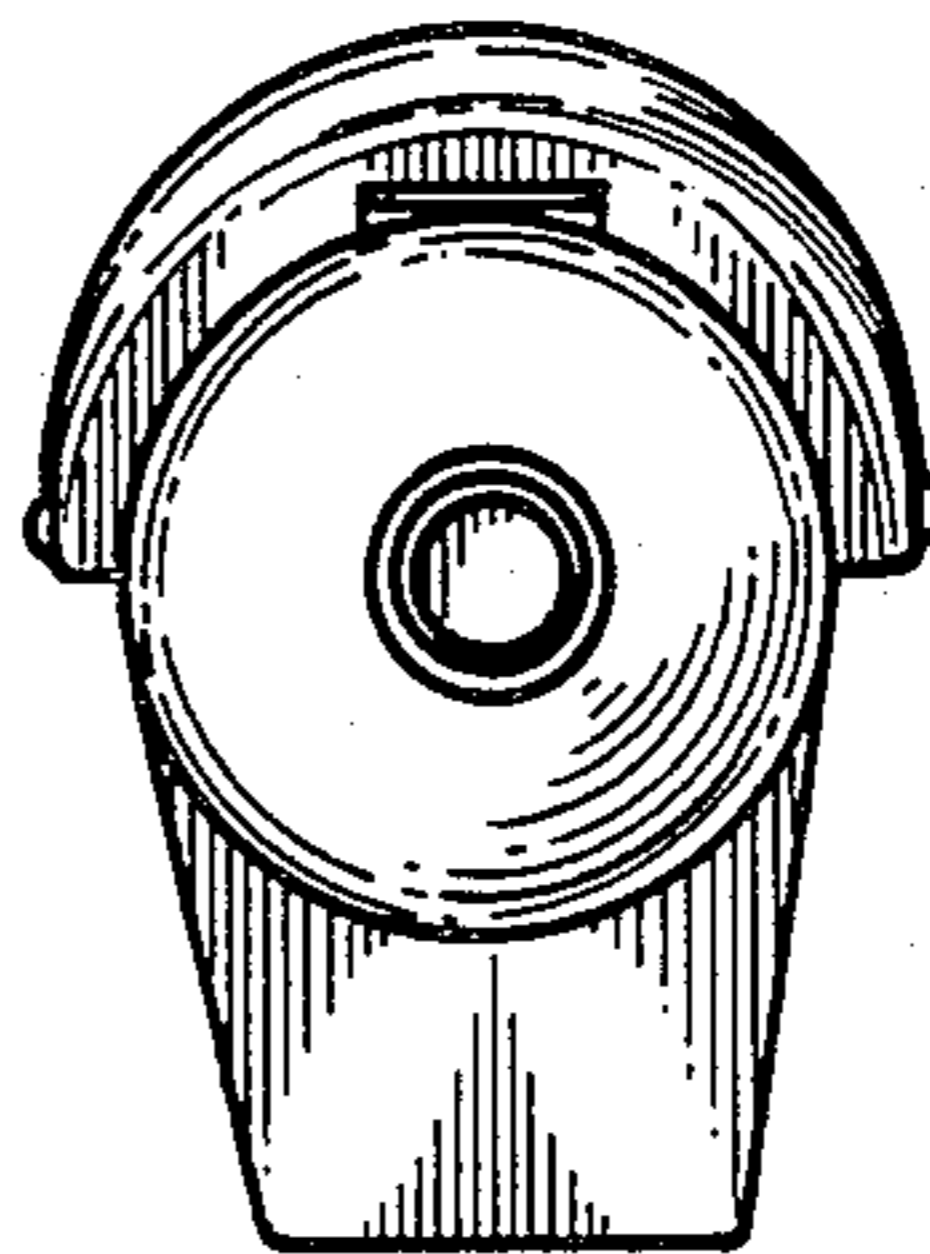
*Fig. 1*



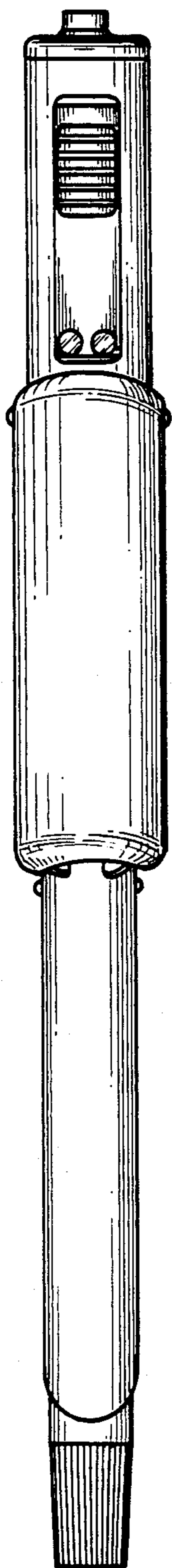
*Fig. 2*



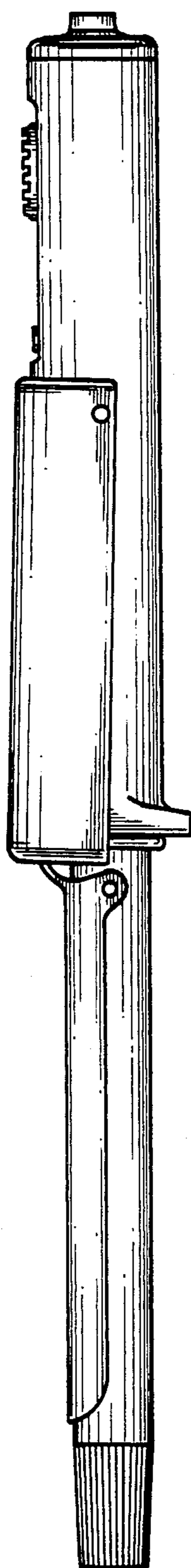
*Fig. 3*



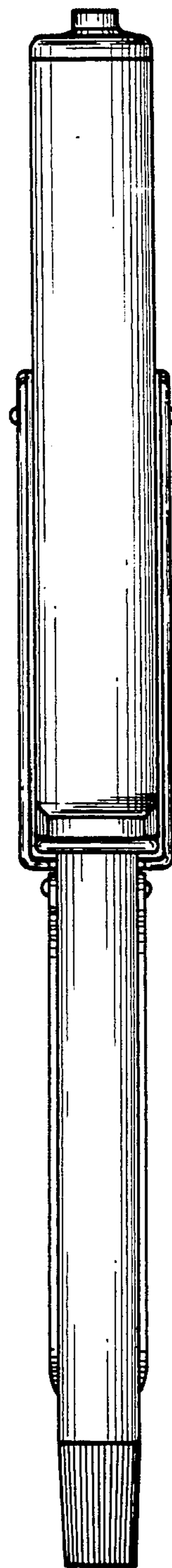
*Fig. 4*



*Fig. 5*



*Fig. 6*



*Fig. 7*