

[54] **NIGHTLIGHT**  
[75] **Inventor:** Frederic W. Schwartz, Providence, R.I.  
[73] **Assignee:** Cable Electric Products, Inc., Providence, R.I.  
[\*\*] **Term:** 14 Years  
[21] **Appl. No.:** 757,812  
[22] **Filed:** Jul. 22, 1985  
[52] **U.S. Cl.** ..... D26/26  
[58] **Field of Search** ..... D26/26, 118, 119, 120, D26/122, 123, 124, 128, 131; 362/311, 226, 337-340

3,184,590 5/1965 Nagel ..... 362/337

**FOREIGN PATENT DOCUMENTS**

712575 7/1954 United Kingdom ..... 362/340

*Primary Examiner*—Susan J. Lucas  
*Attorney, Agent, or Firm*—Paul J. Sutton

[57] **CLAIM**

The ornamental design for a nightlight, as shown and described.

**DESCRIPTION**

FIG. 1 is a top plan view of the nightlight showing my new design;  
FIG. 2 is a front elevational view thereof;  
FIG. 3 is a right side elevational view thereof, the left side being a mirror image;  
FIG. 4 is a rear elevational view thereof;  
FIG. 5 is a cross-sectional view taken along line 5—5 of FIG. 2;  
FIG. 6 is a cross-sectional view taken along line 6—6 of FIG. 2.

[56] **References Cited**  
**U.S. PATENT DOCUMENTS**

D. 188,213 6/1960 Barto ..... D26/26  
D. 216,151 11/1969 Cox ..... D26/123  
D. 274,369 6/1984 Schwartz ..... D26/26

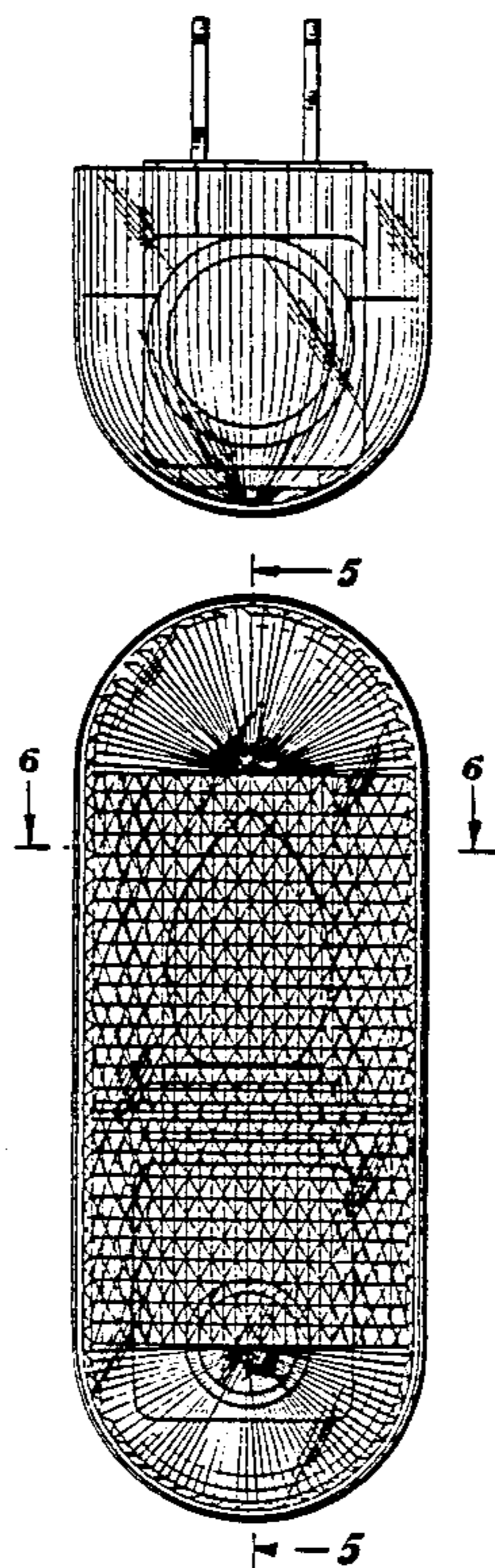


FIG. 1

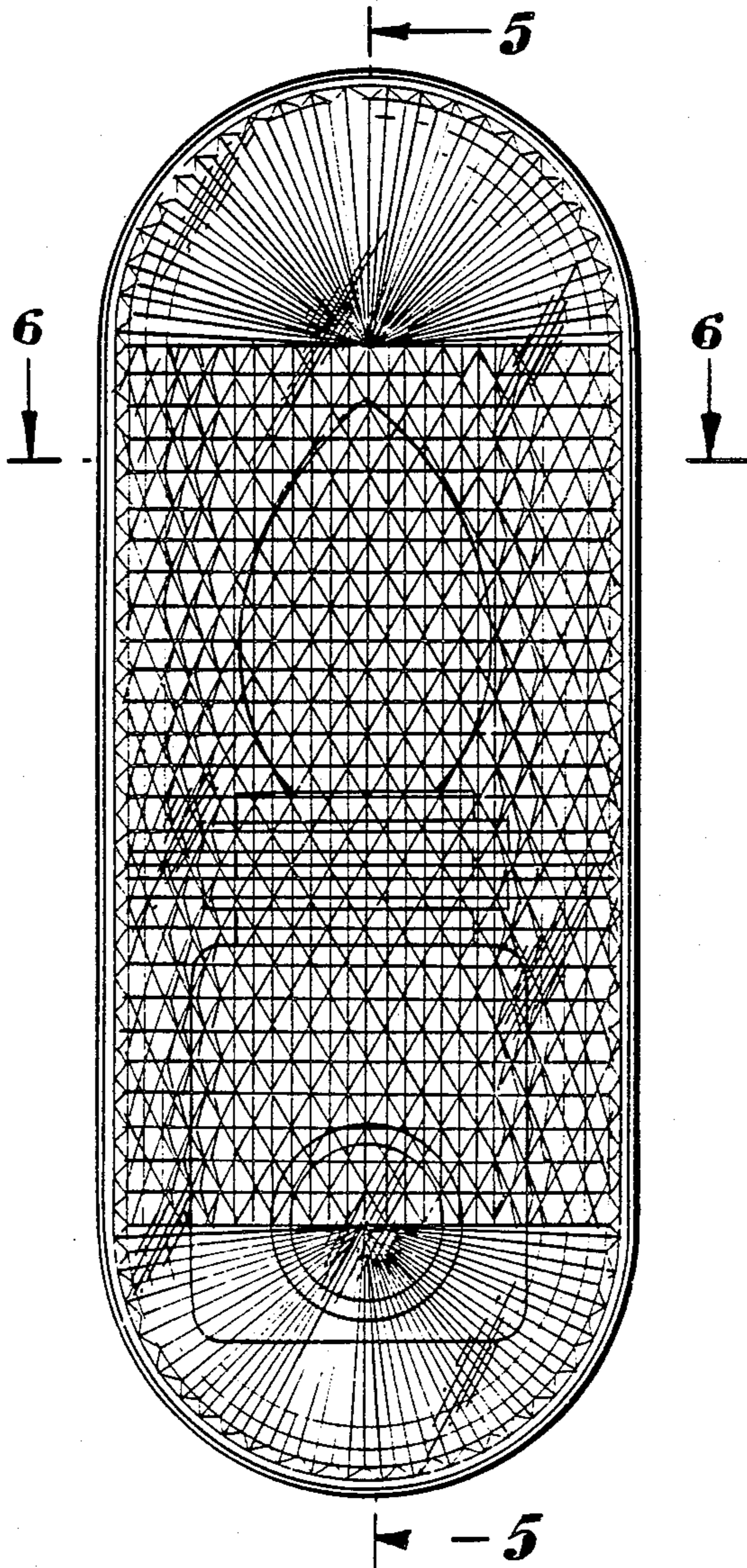
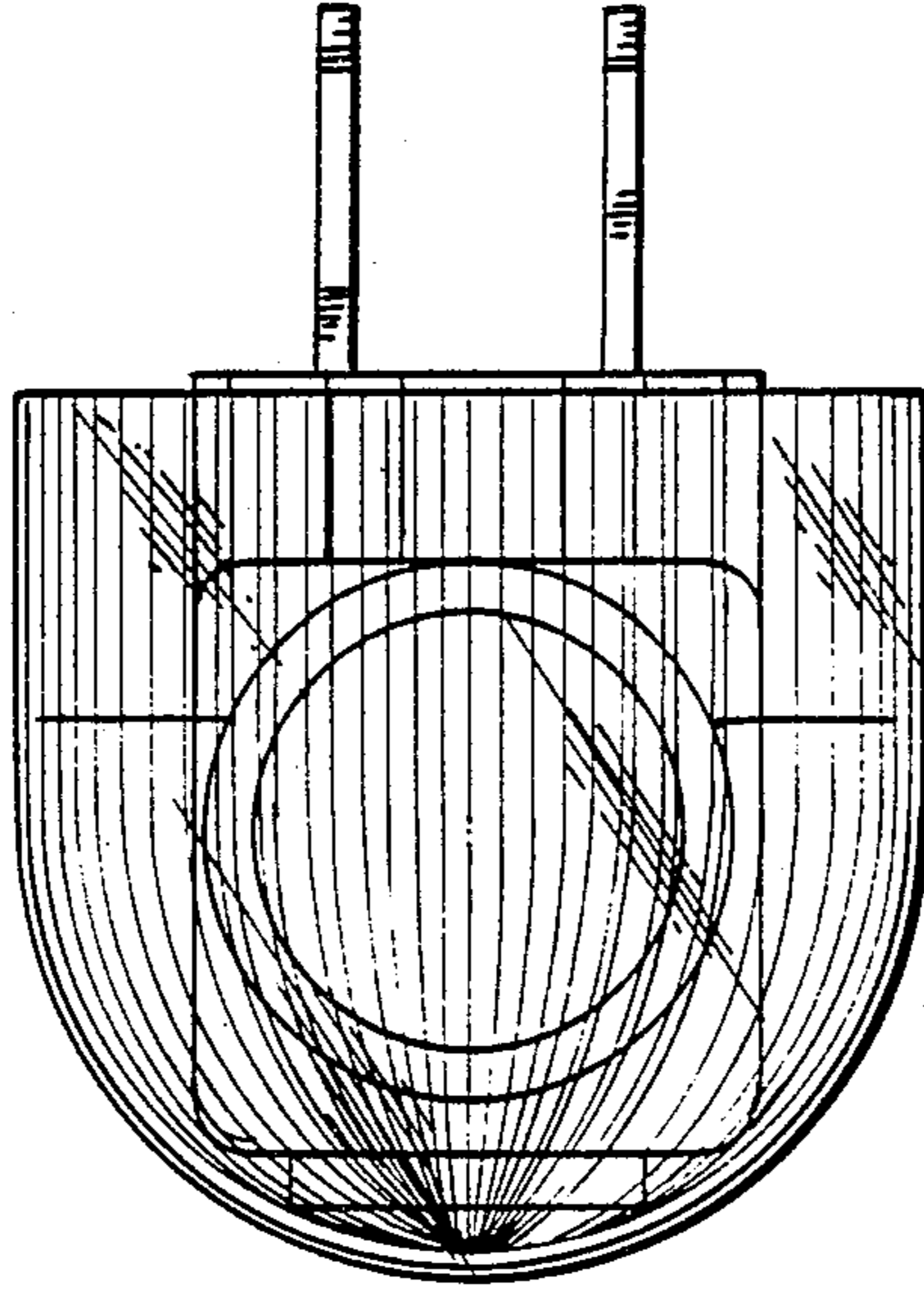


FIG. 2

FIG. 3

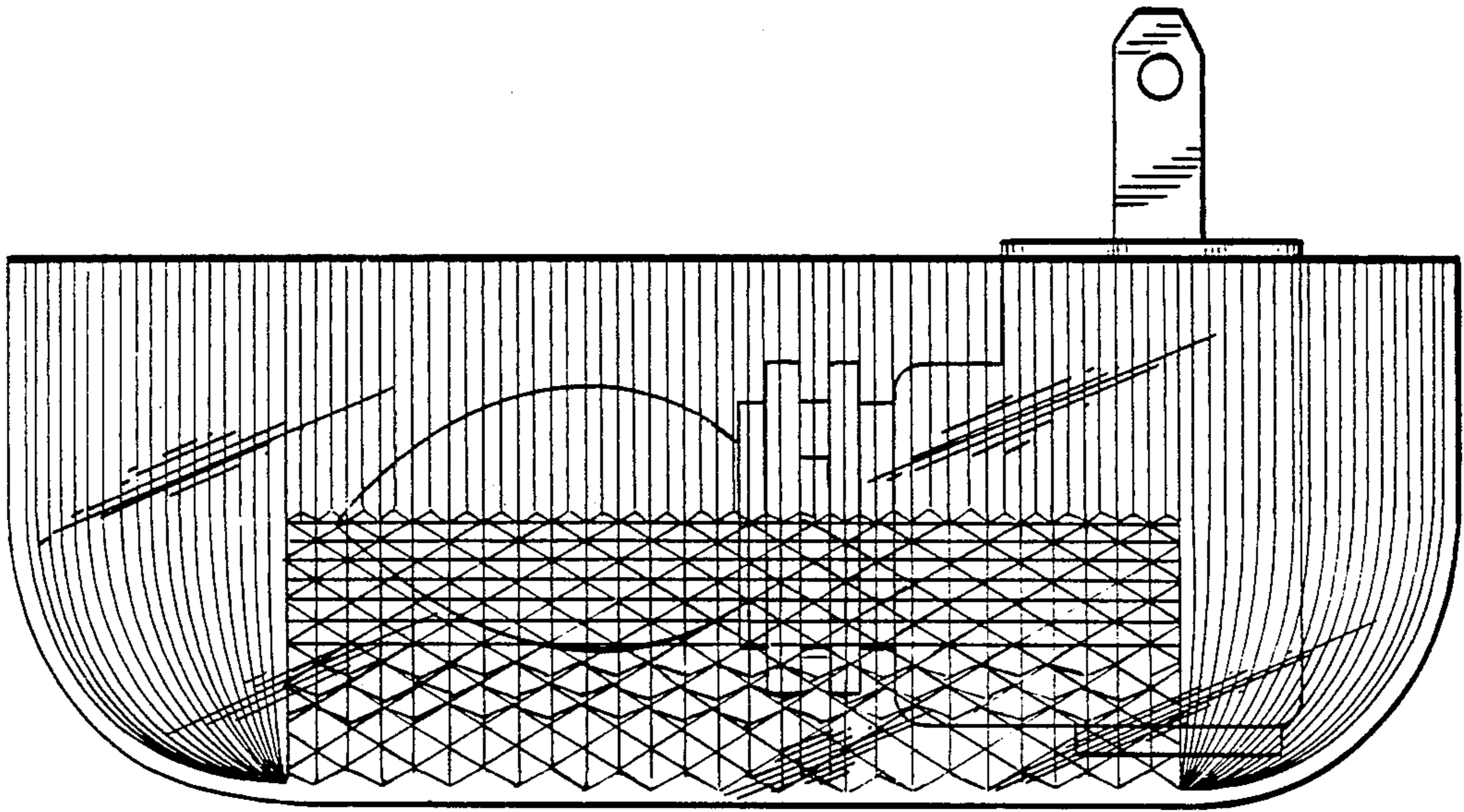


FIG. 4

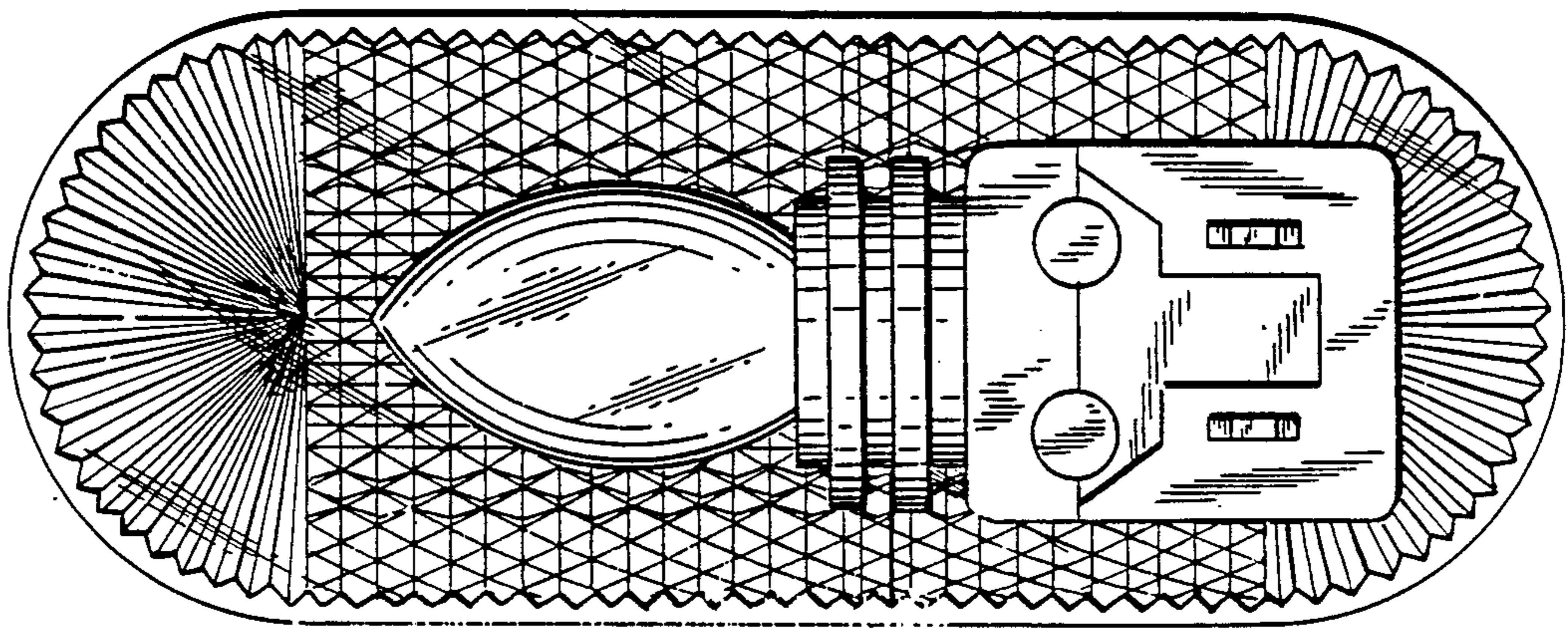


FIG. 6

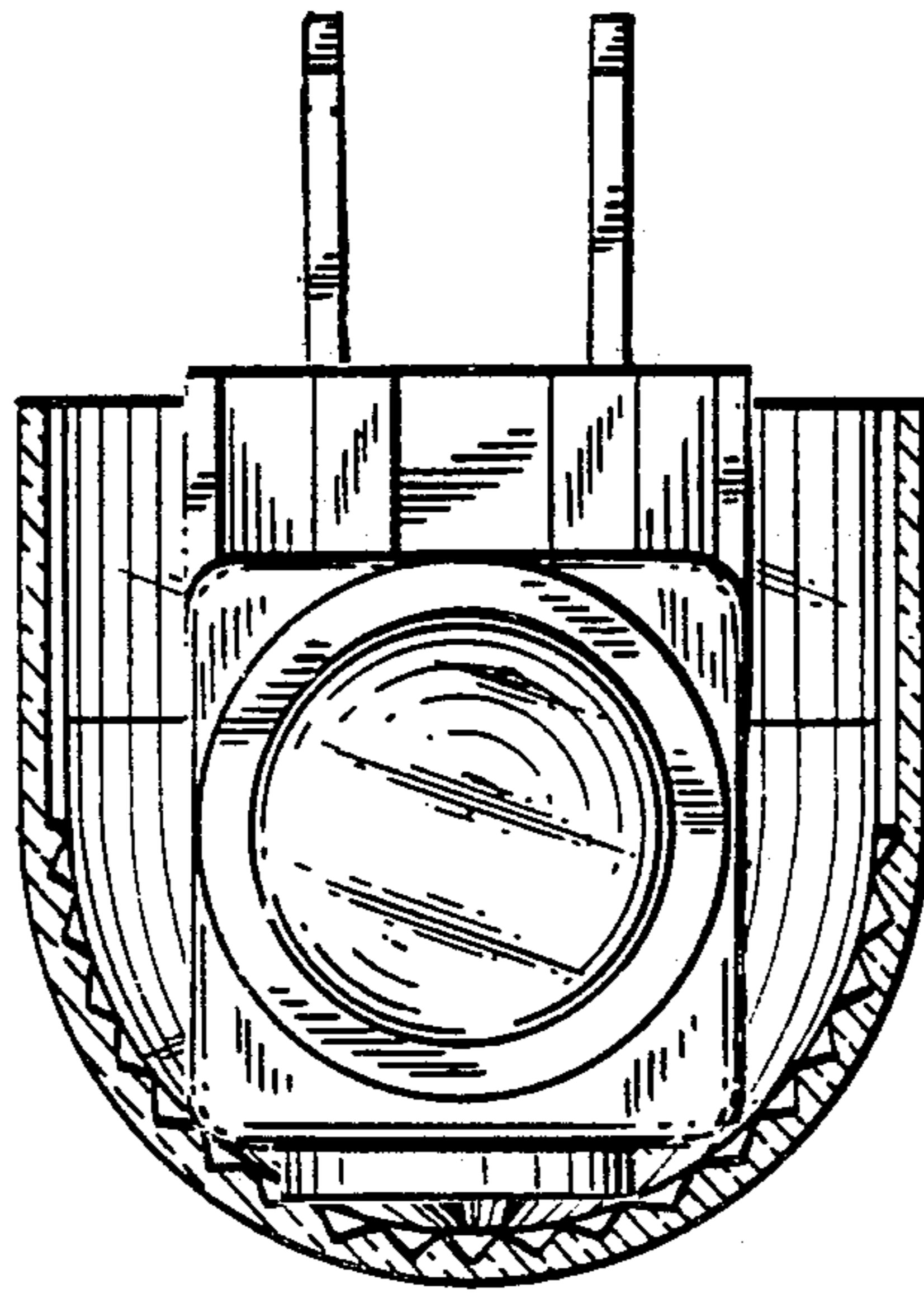


FIG. 5

