

[54] COMBINED WATER CONTROL HANDLE AND ESCUTHEON

[75] Inventors: Konrad Bergmann, Wittlich; Wolfgang Fabian, Mannheim, both of Fed. Rep. of Germany

[73] Assignee: American Standard Inc., New York, N.Y.

[**] Term: 14 Years

[21] Appl. No.: 37,651

[22] Filed: Apr. 13, 1987

Related U.S. Application Data

[62] Division of Ser. No. 777,479, Sep. 18, 1985.

[30] Foreign Application Priority Data

Sep. 19, 1985 [DE] Fed. Rep. of Germany ... 20MR2050

[52] U.S. Cl. D23/254

[58] Field of Search D23/23-32; 4/191, 192; 137/606, 625.17, 625.4, 625.41, 801

[56] References Cited

U.S. PATENT DOCUMENTS

- D. 149,196 4/1948 Little et al. D23/23
- D. 149,376 4/1948 Sayre D23/23
- D. 183,672 10/1958 Barker D23/23

- D. 193,757 10/1962 Armstrong D23/23
- D. 199,426 10/1964 Armstrong D23/29
- D. 200,390 2/1965 Staat et al. D23/23
- D. 219,780 1/1971 Niemann D23/23
- D. 219,782 1/1971 Tiller D23/31
- D. 253,607 12/1979 Haug D23/23
- 3,920,043 11/1975 Fowell 137/625.4 X
- 4,103,709 8/1978 Fischer 137/801 X
- 4,157,099 6/1979 Delker et al. 137/625.17
- 4,513,781 4/1985 Nikdayezik 137/625.41
- 4,522,231 6/1985 Bergmann 137/625.17
- 4,552,171 11/1985 Farrell et al. 4/192 X

Primary Examiner—James R. Largen
Attorney, Agent, or Firm—James J. Salerno, Jr.; Robert G. Crooks; John P. Sinnott

[57] CLAIM

The ornamental design for a combined water control handle and escutcheon, substantially as shown and described.

DESCRIPTION

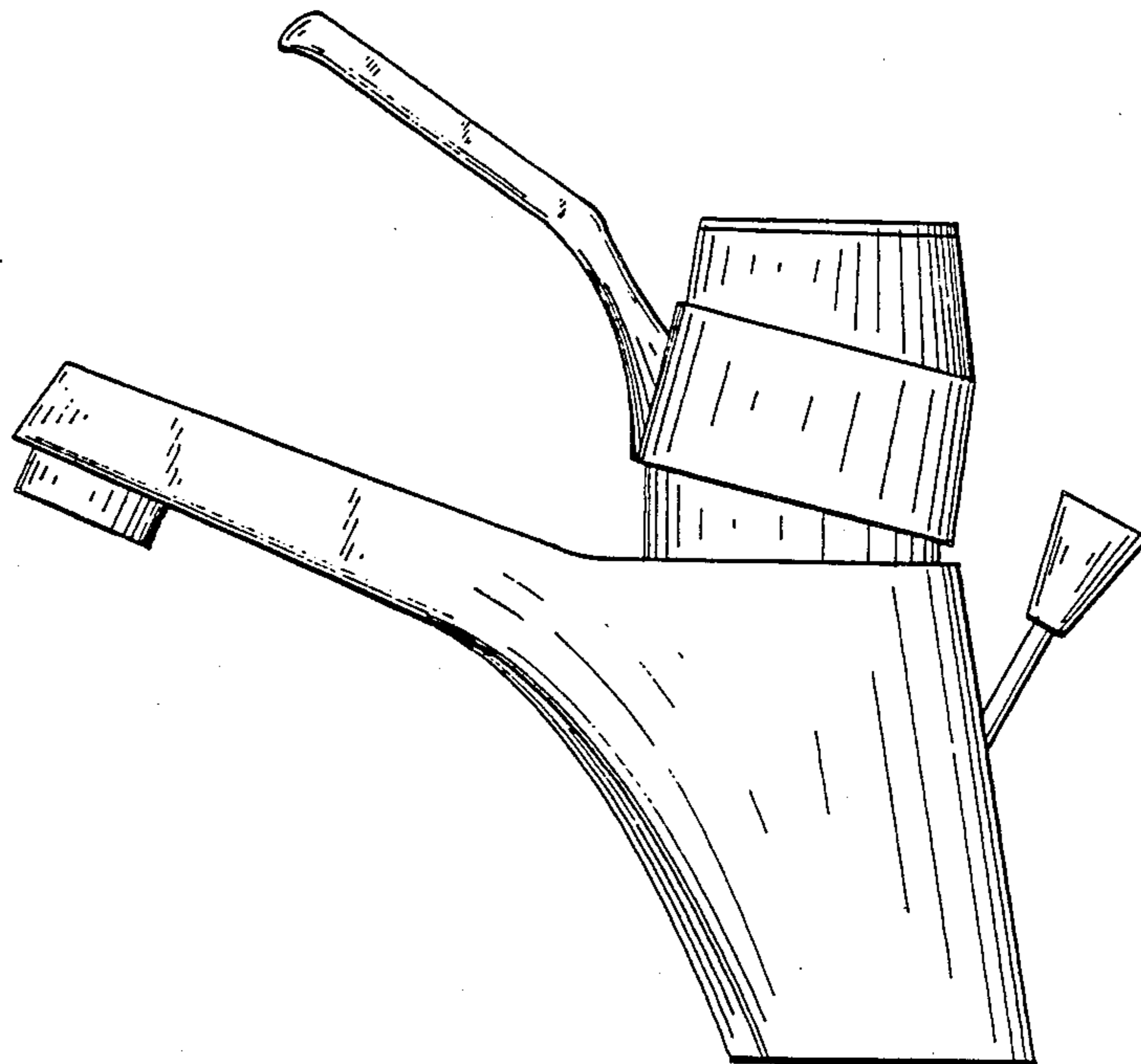
FIG. 1 is a right side elevational view of a combined water control handle and escutcheon, showing our new design, the left side being a mirror image of the right side shown;

FIG. 2 is a top plan view thereof;

FIG. 3 is a bottom plan view thereof;

FIG. 4 is a front elevational view thereof; and,

FIG. 5 is a rear elevational view thereof.



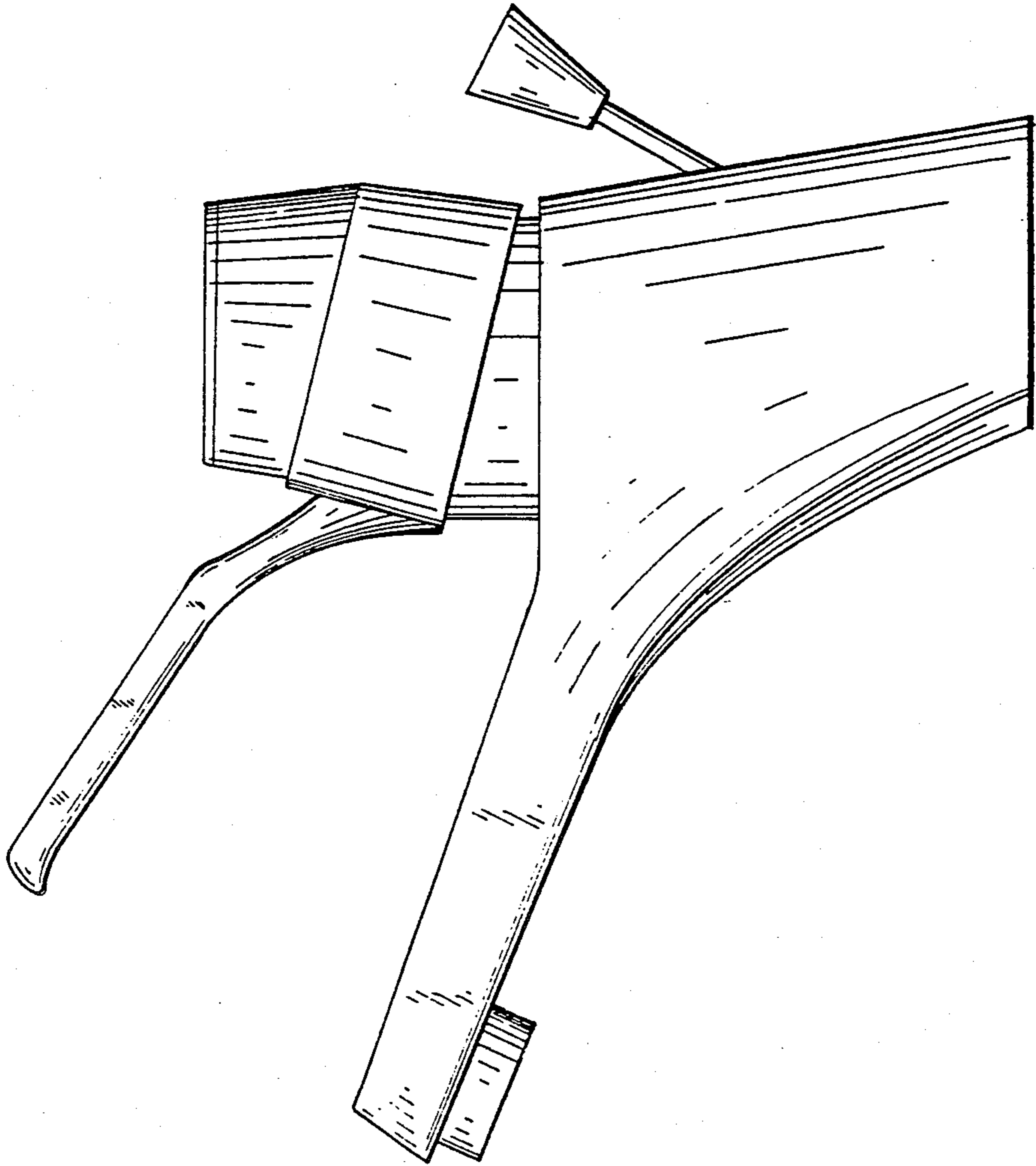


FIG. 1

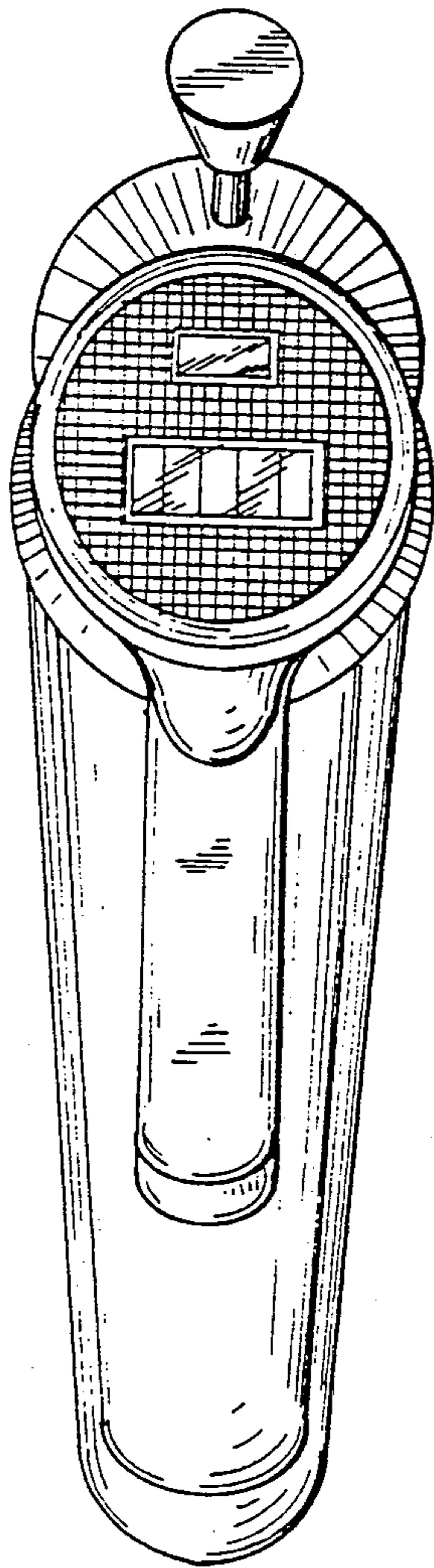


FIG. 2

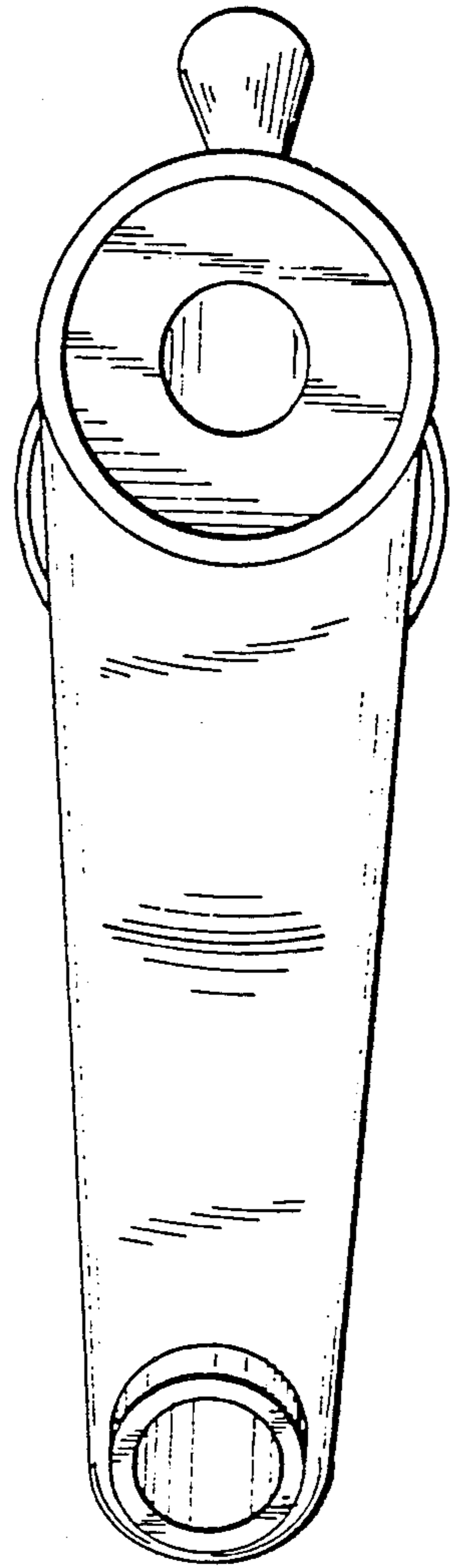


FIG. 3

FIG. 5

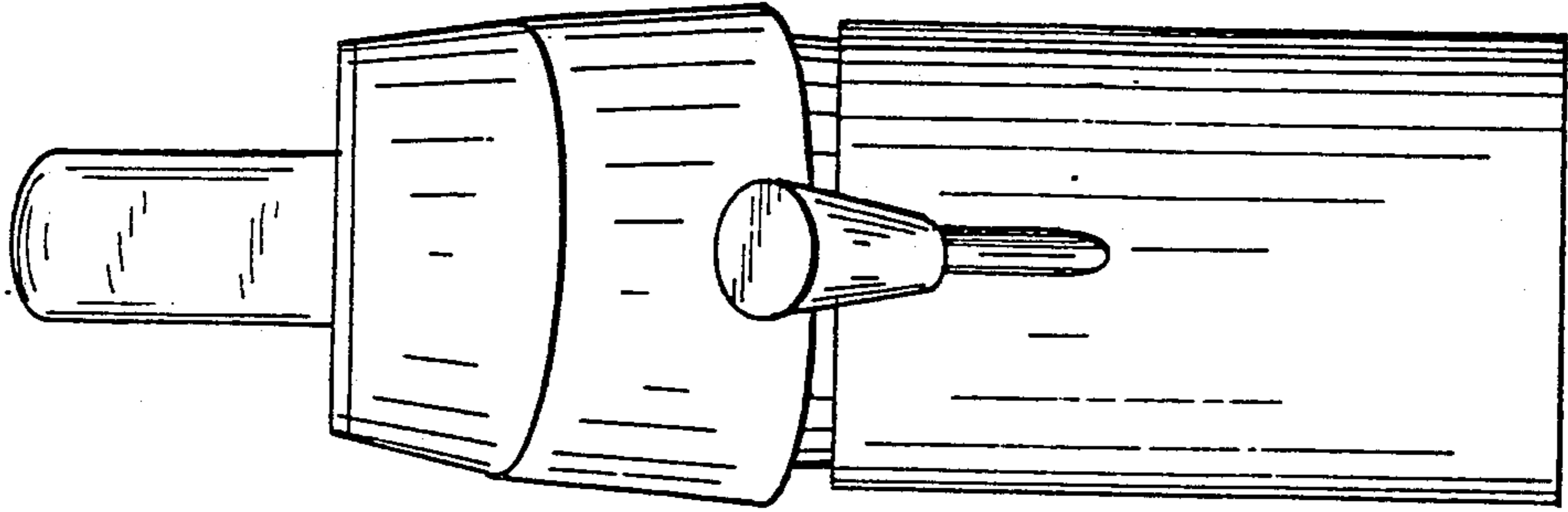


FIG. 4

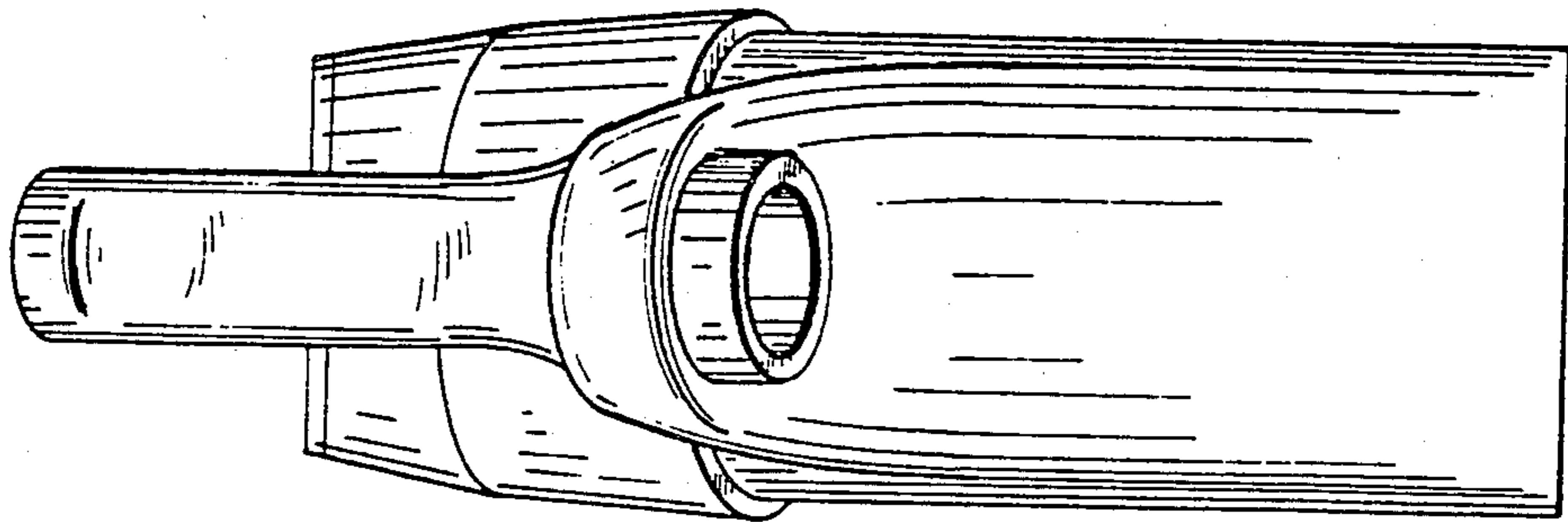


FIG. 6

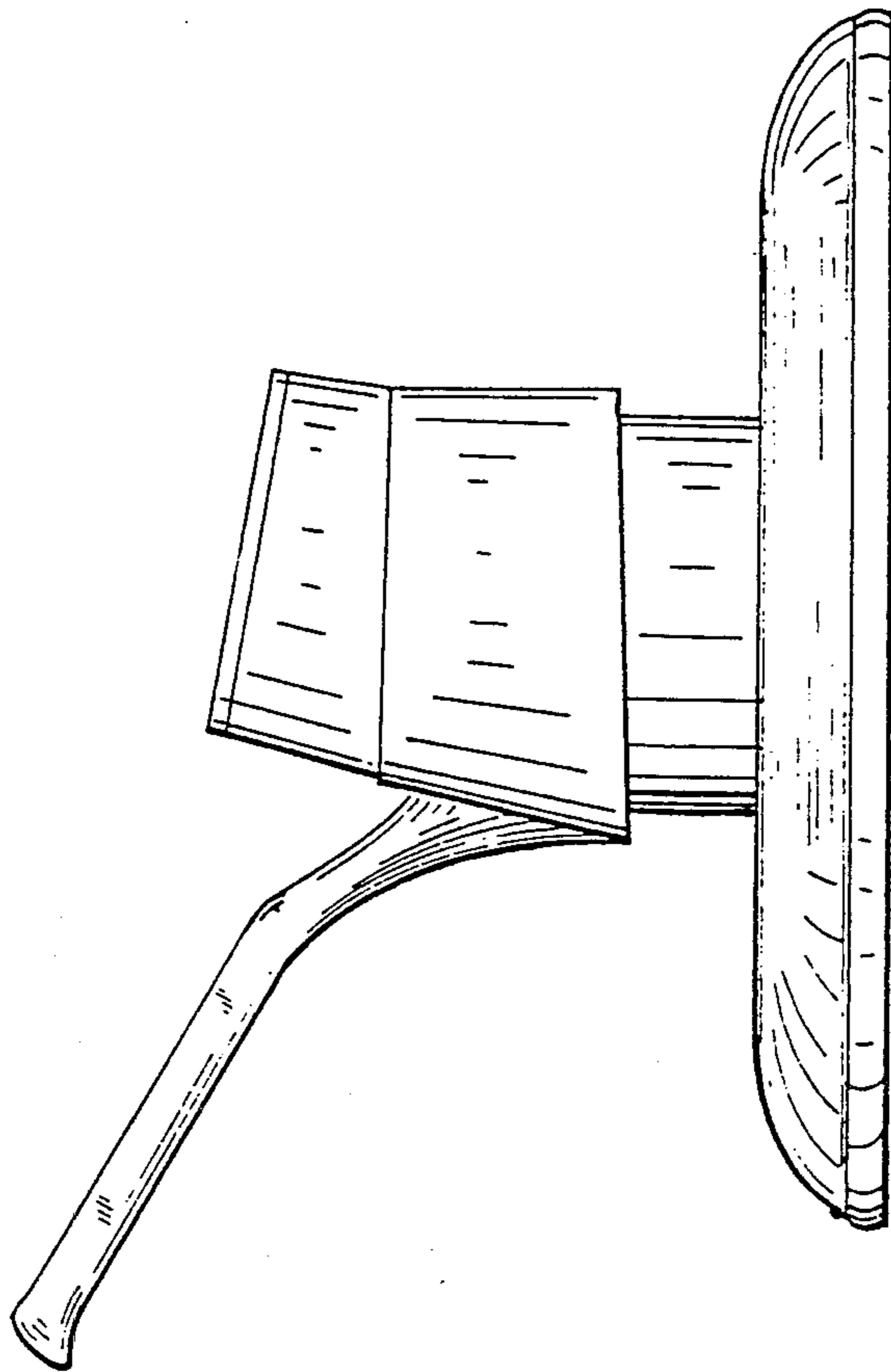


FIG. 7

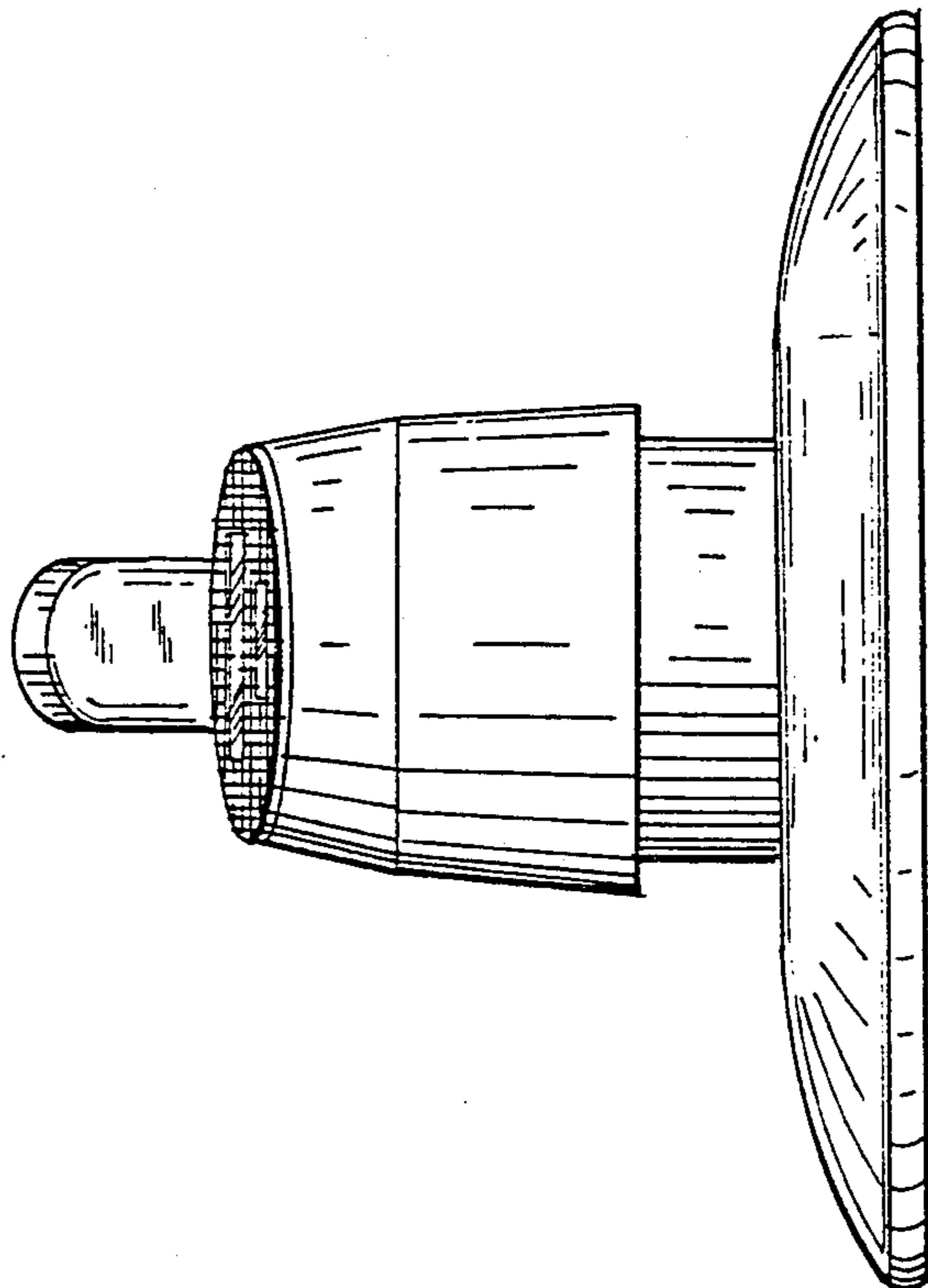


FIG. 8

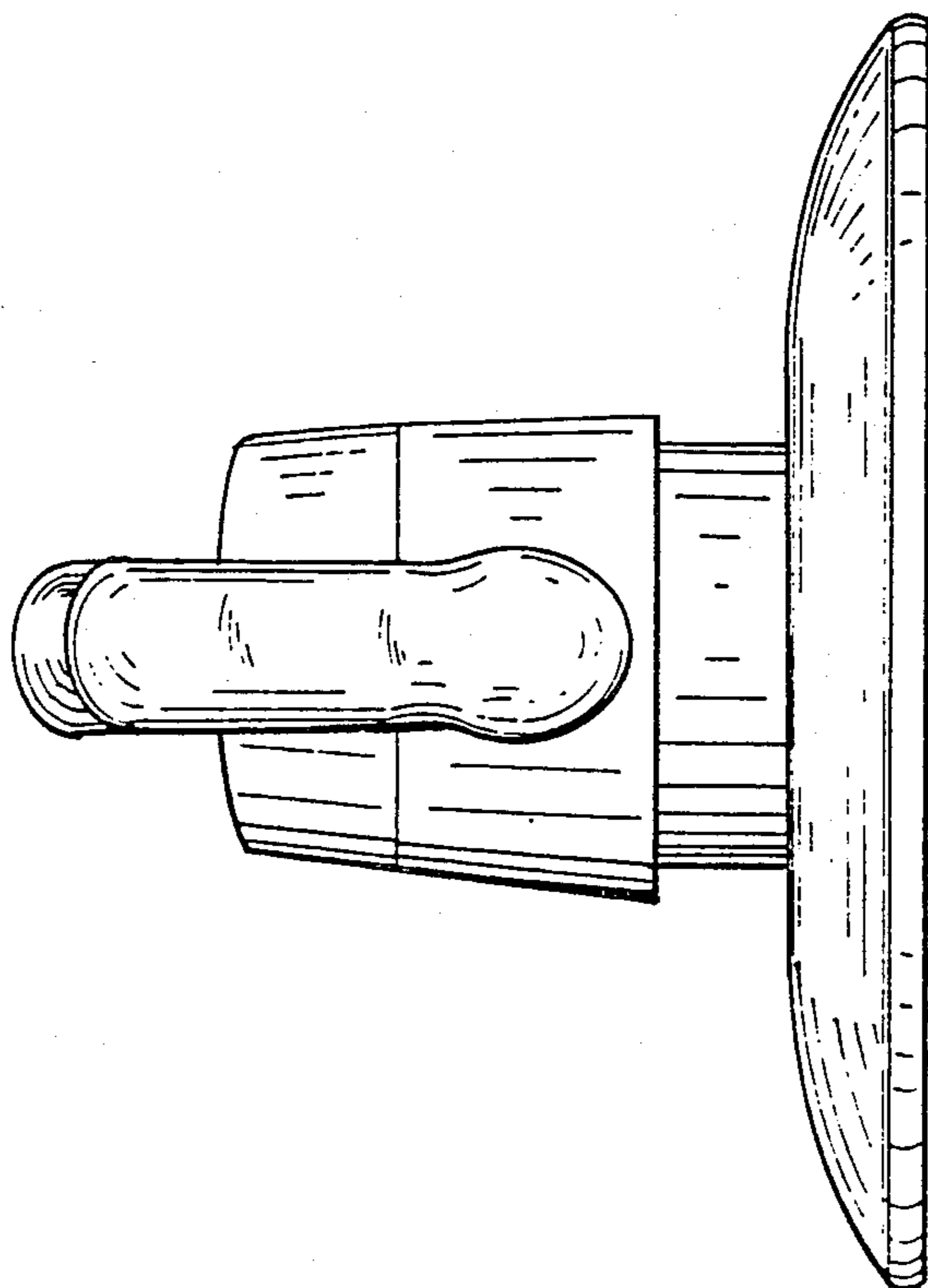


FIG. 9

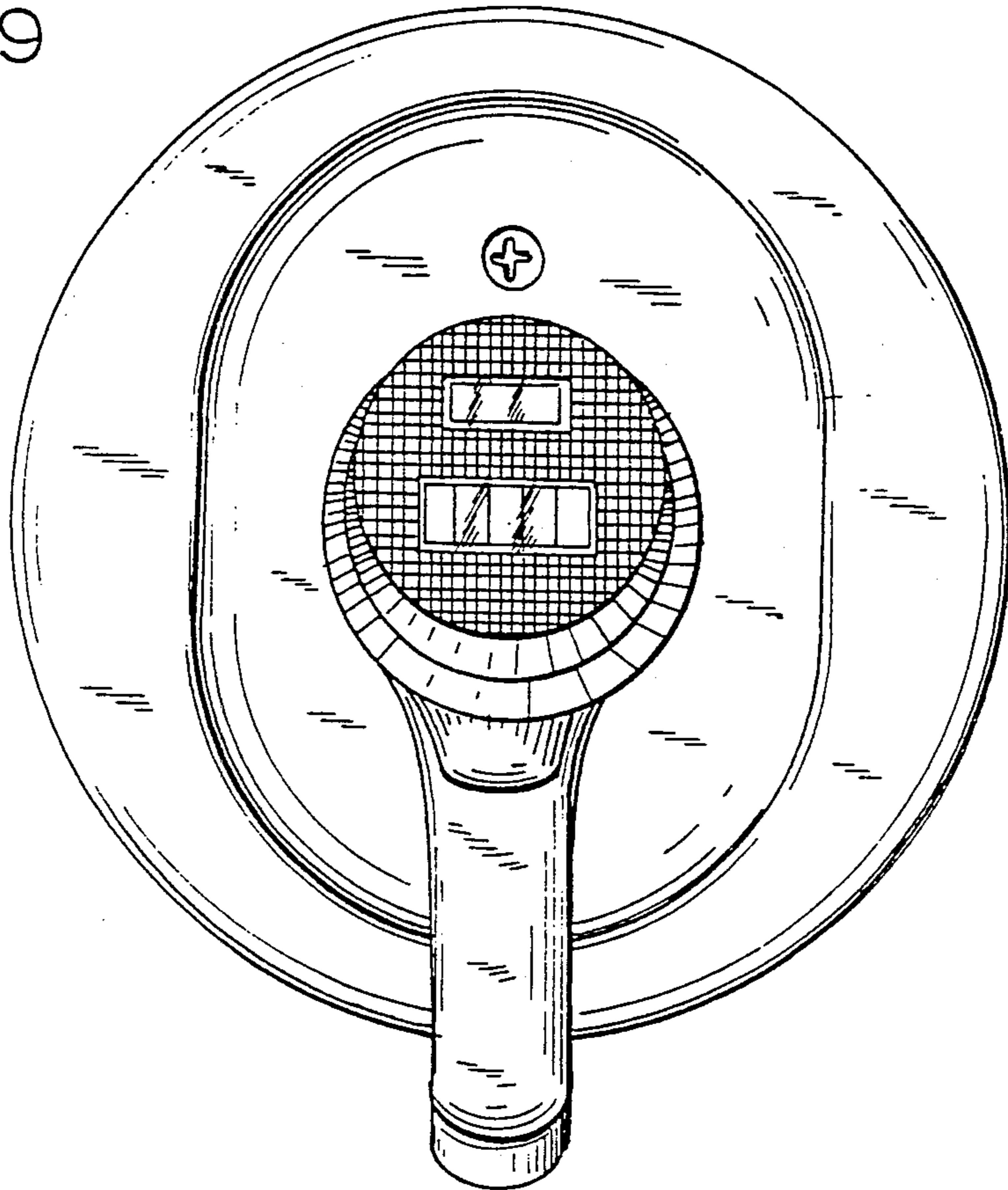
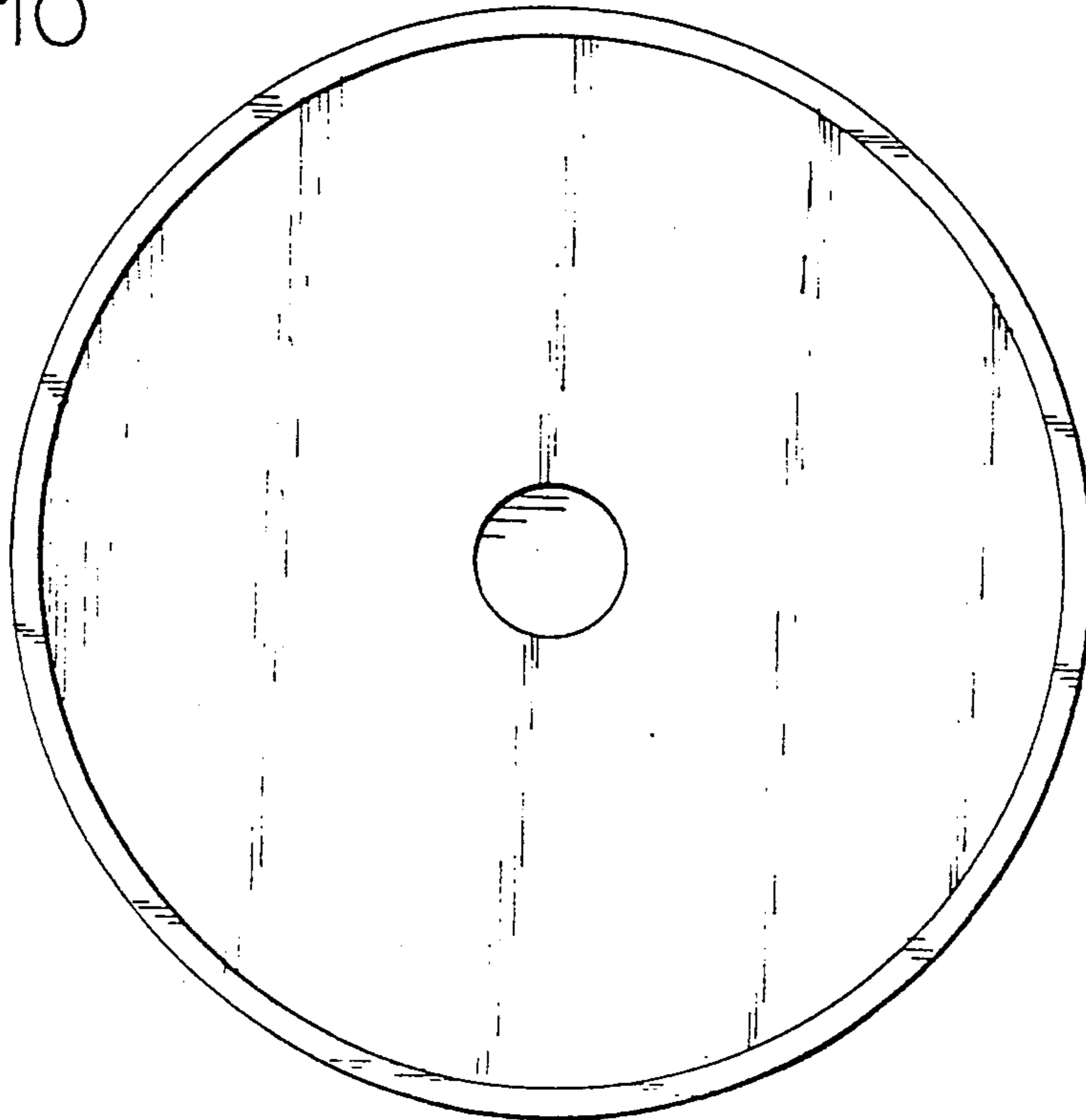


FIG. 10



UNITED STATES PATENT AND TRADEMARK OFFICE
CERTIFICATE OF CORRECTION

PATENT NO. : Des. 293,605
DATED : January 5, 1988
INVENTOR(S) : Konrad Bergmann & Wolfgang Fabian

It is certified that error appears in the above-identified patent and that said Letters Patent is hereby corrected as shown below:

In the title, change "ESCUTHEON" to "ESCUTCHEON".

In the Claim, line 2, change "escutheon" to "escutcheon".

In the Description, FIG. 1, line 2, change "escutheon" to "escutcheon".

**Signed and Sealed this
Fourteenth Day of June, 1988**

Attest:

DONALD J. QUIGG

Attesting Officer

Commissioner of Patents and Trademarks

UNITED STATES PATENT AND TRADEMARK OFFICE
CERTIFICATE OF CORRECTION

PATENT NO. : Des. 293,605

Page 1 of 6

DATED : January 5, 1988

INVENTOR(S) : Konrad Bergmann

It is certified that error appears in the above-identified patent and that said Letters Patent is hereby corrected as shown below:

The title page showing the illustrative figure should be deleted to appear as per attached page.

Delete All Drawing Figs. 1 - 10 and insert -- Figs. 1 - 5 --, as shown on the attached sheets.

Signed and Sealed this
Twenty-eighth Day of March, 1989

Attest:

DONALD J. QUIGG

Attesting Officer

Commissioner of Patents and Trademarks

United States Patent [19]

[11] **Patent Number: Des. 293,605**

Bergmann et al.

[45] **Date of Patent: ** Jan. 5, 1988**

- [54] **COMBINED WATER CONTROL HANDLE AND ESCUTHEON**
- [75] **Inventors: Konrad Bergmann, Wittlich; Wolfgang Fabian, Mannheim, both of Fed. Rep. of Germany**
- [73] **Assignee: American Standard Inc., New York, N.Y.**
- [**] **Term: 14 Years**
- [21] **Appl. No.: 37,651**
- [22] **Filed: Apr. 13, 1987**

D. 193,757	10/1962	Armstrong	D23/23
D. 199,426	10/1964	Armstrong	D23/29
D. 200,390	2/1965	Staat et al.	D23/23
D. 219,780	1/1971	Niemann	D23/23
D. 219,782	1/1971	Tiller	D23/31
D. 253,607	12/1979	Haug	D23/23
3,920,043	11/1975	Fowell	137/625.4 X
4,103,709	8/1978	Fischer	137/801 X
4,157,099	6/1979	Delker et al.	137/625.17
4,513,781	4/1985	Nikdayezik	137/625.41
4,522,231	6/1985	Bergmann	137/625.17
4,552,171	11/1985	Farrell et al.	4/192 X

Primary Examiner—James R. Largen
Attorney, Agent, or Firm—James J. Salerno, Jr.; Robert G. Crooks; John P. Sinnott

Related U.S. Application Data

[62] Division of Ser. No. 777,479, Sep. 18, 1985.

Foreign Application Priority Data

Sep. 19, 1985 [DE] Fed. Rep. of Germany ... 20MR2050

[52] **U.S. Cl.** **D23/254**

[58] **Field of Search** **D23/23-32; 4/191, 192; 137/606, 625.17, 625.4, 625.41, 801**

References Cited

U.S. PATENT DOCUMENTS

D. 149,196	4/1948	Little et al.	D23/23
D. 149,376	4/1948	Sayre	D23/23
D. 183,672	10/1958	Barker	D23/23

[57] **CLAIM**

The ornamental design for a combined water control handle and escutcheon, substantially as shown and described.

DESCRIPTION

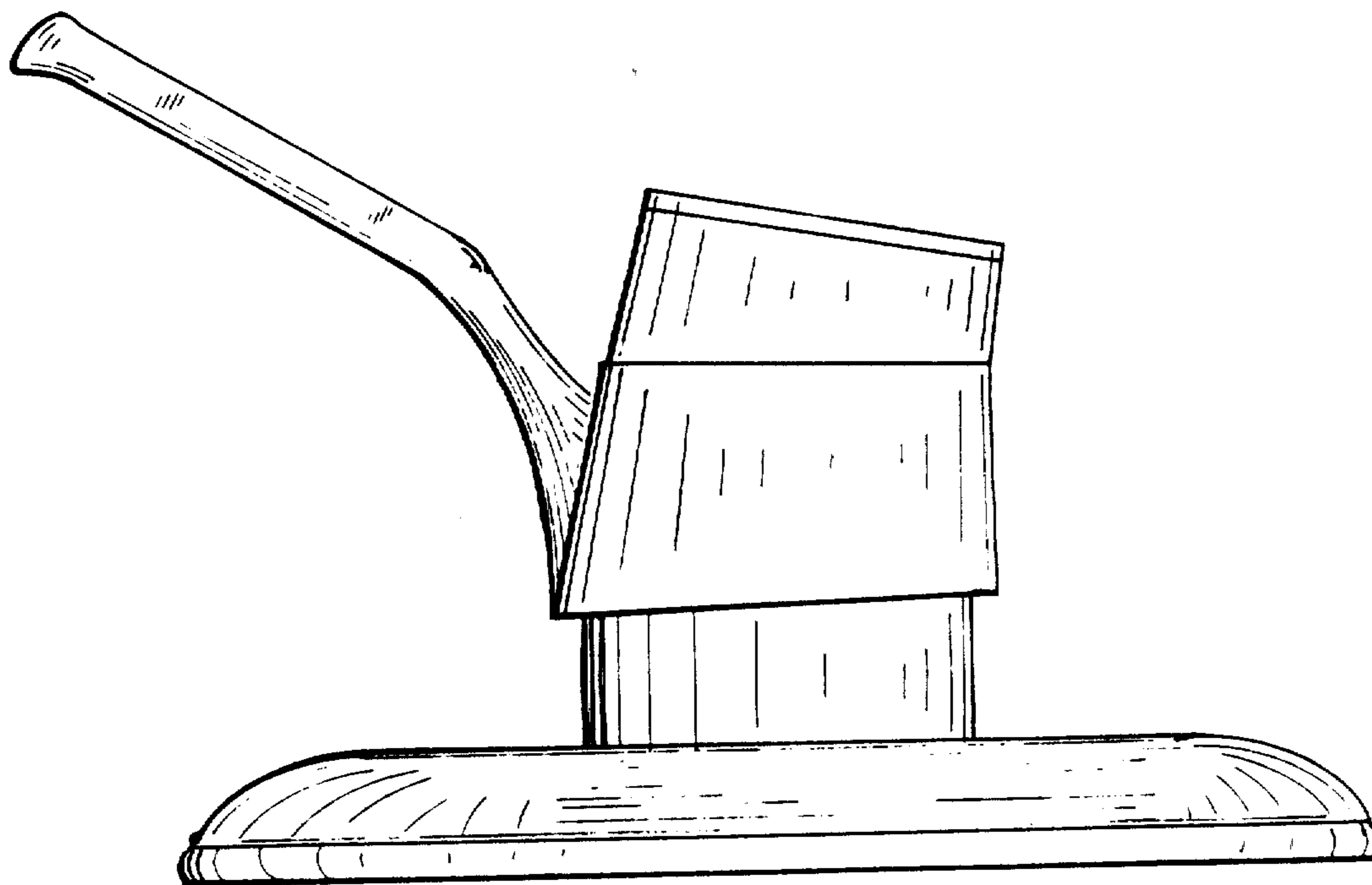
FIG. 1 is a right side elevational view of a combined water control handle and escutcheon, showing our new design, the left side being a mirror image of the right side shown;

FIG. 2 is a top plan view thereof;

FIG. 3 is a bottom plan view thereof;

FIG. 4 is a front elevational view thereof; and,

FIG. 5 is a rear elevational view thereof.



Des. No. 293,605

January 5, 1988

Konard Bergmann

FIG. 1

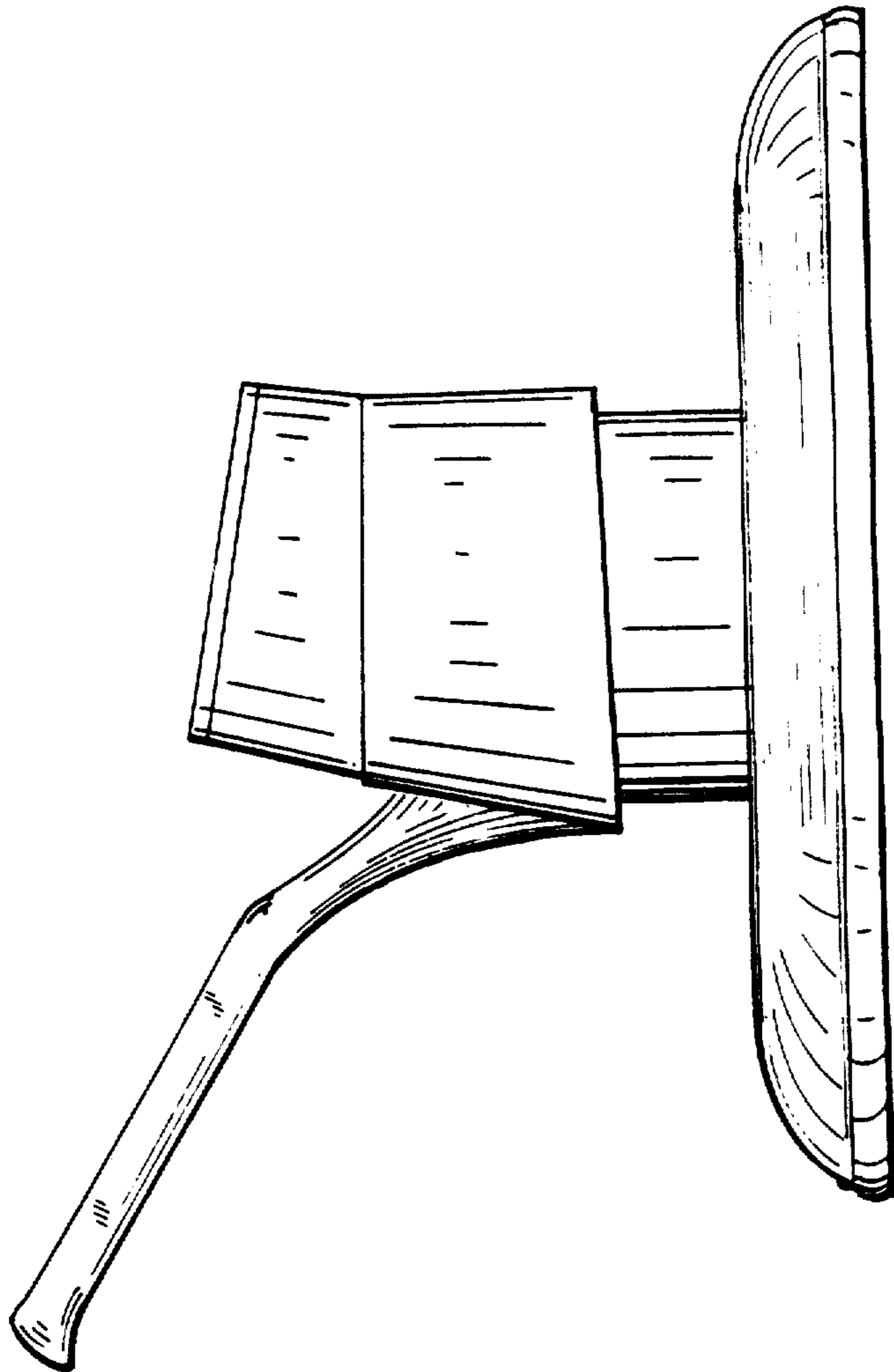
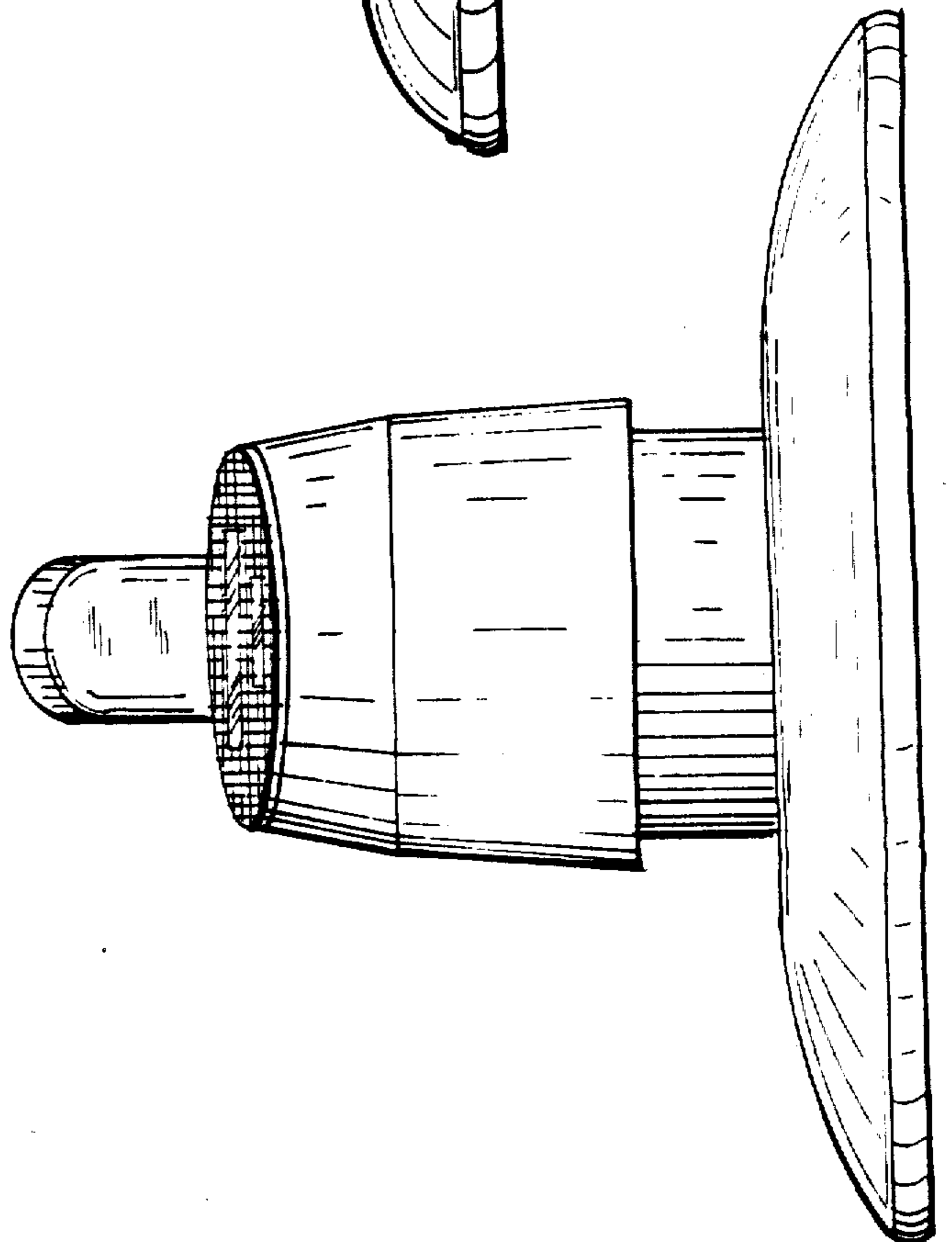
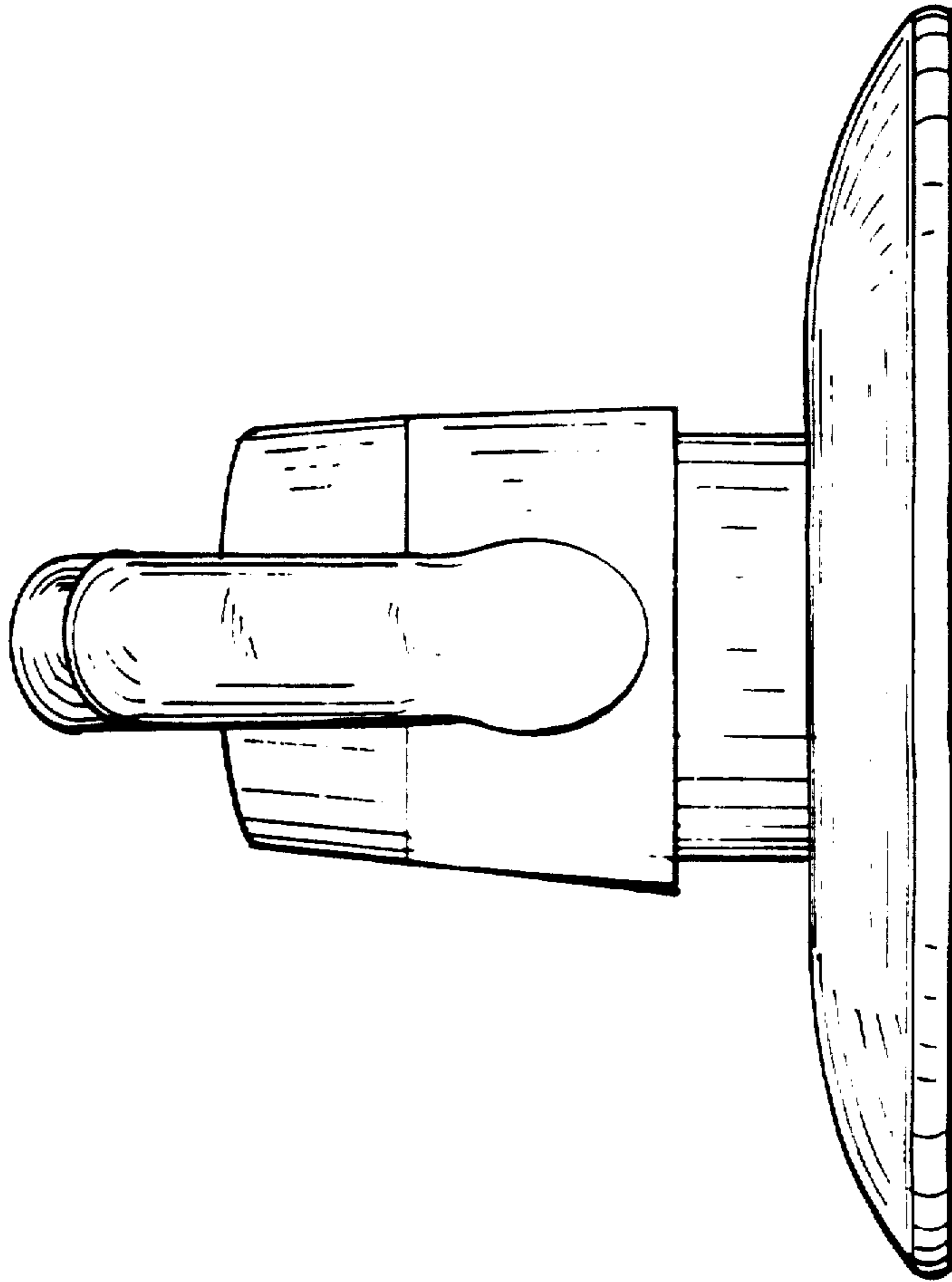


FIG. 2



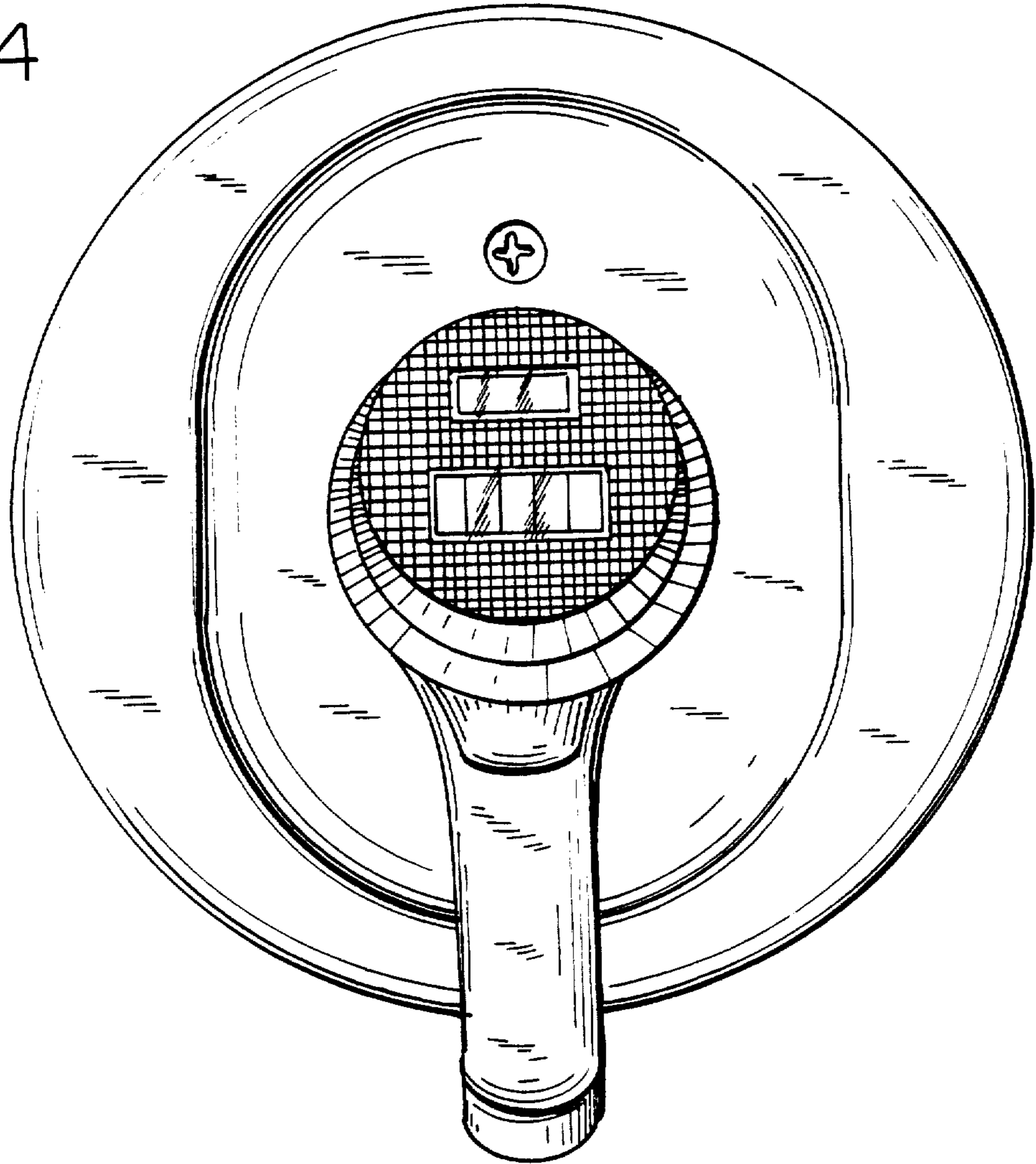
Konard Bergmann

FIG. 3



Konard Bergmann

FIG. 4



Konard Bergmann

FIG. 5

