

[54] COMPRESSED AIR DRIER FOR VEHICLES OR FOR STATIONARY USE

D. 255,045 5/1980 Kronsbeu ..... D23/4  
2,798,613 7/1957 Tinker ..... D23/4

[75] Inventor: Sten Andersson, Landskrona, Sweden

Primary Examiner—Wallace R. Burke  
Assistant Examiner—Brian N. Vinson  
Attorney, Agent, or Firm—Laurence R. Brown

[73] Assignee: Haldex AB, Landskrona, Sweden

[57] CLAIM

[\*\*] Term: 14 Years

The ornamental design for a compressed air drier for vehicles or for stationary use, or the like substantially as shown and described.

[21] Appl. No.: 600,610

[22] Filed: Apr. 18, 1984

[52] U.S. Cl. .... D23/365

[58] Field of Search ..... 210/435, 442; 55/23, 55/97, 282, 387, 385 B, 529, DIG. 17; D23/149, 2

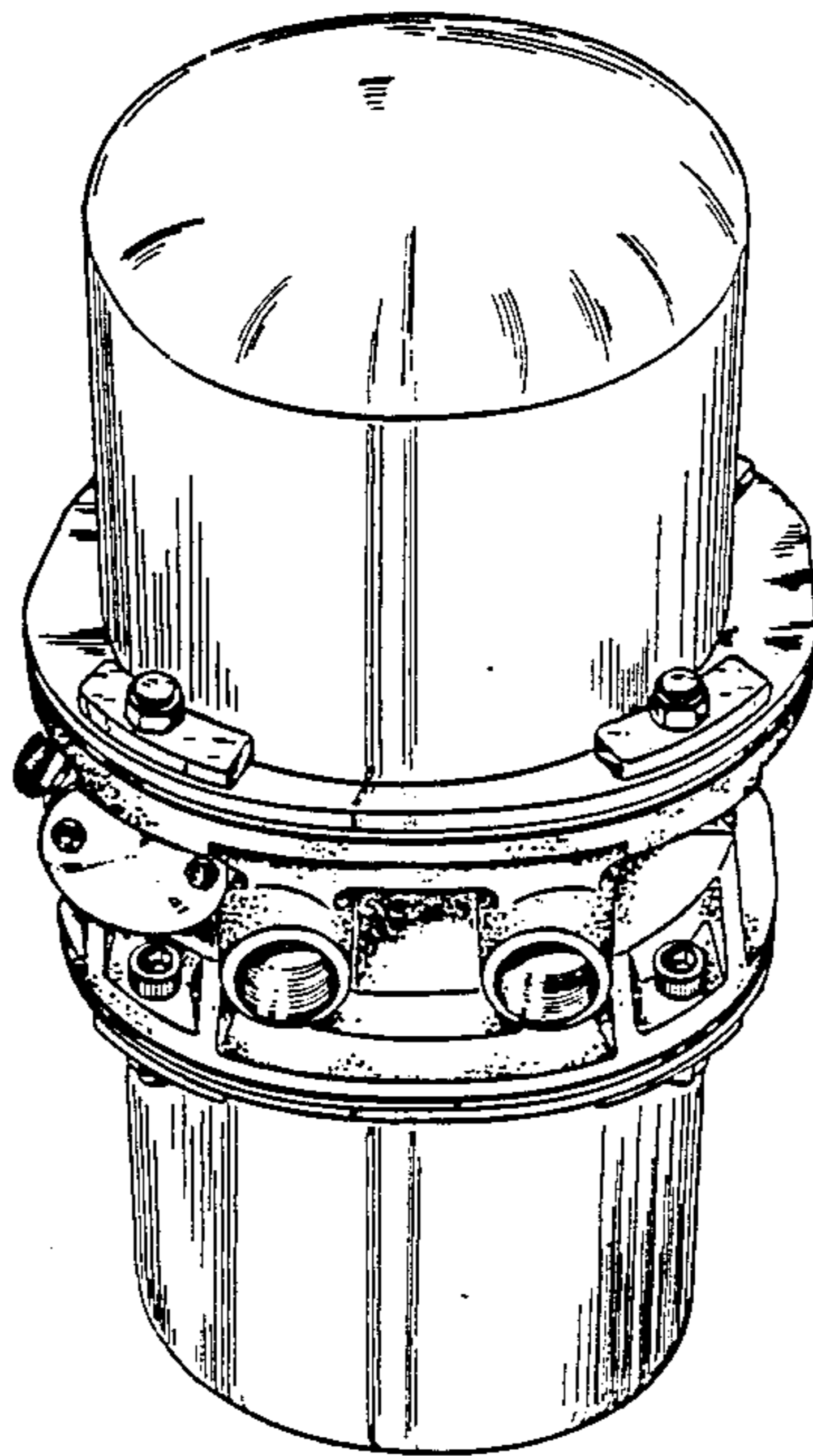
DESCRIPTION

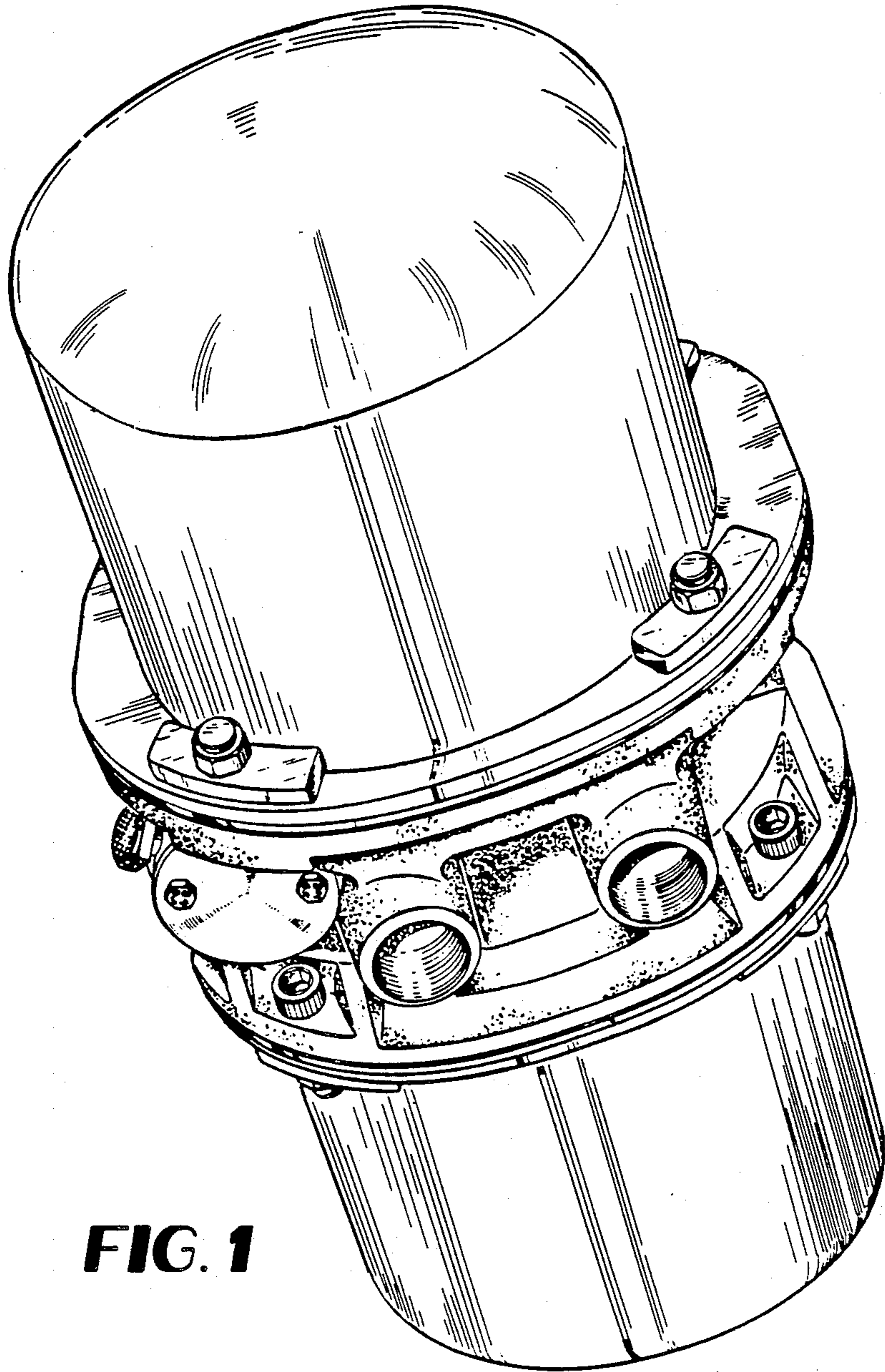
FIG. 1 is a top and front perspective view of a compressed air drier for vehicles or for stationary use showing my new design;  
FIG. 2 is a front elevational view thereof;  
FIG. 3 is a left side elevational view thereof;  
FIG. 4 is a right side elevational view thereof;  
FIG. 5 is a top plan view thereof, the bottom substantially similar in appearance; and,  
FIG. 6 is a rear elevational view thereof.

[56] References Cited

U.S. PATENT DOCUMENTS

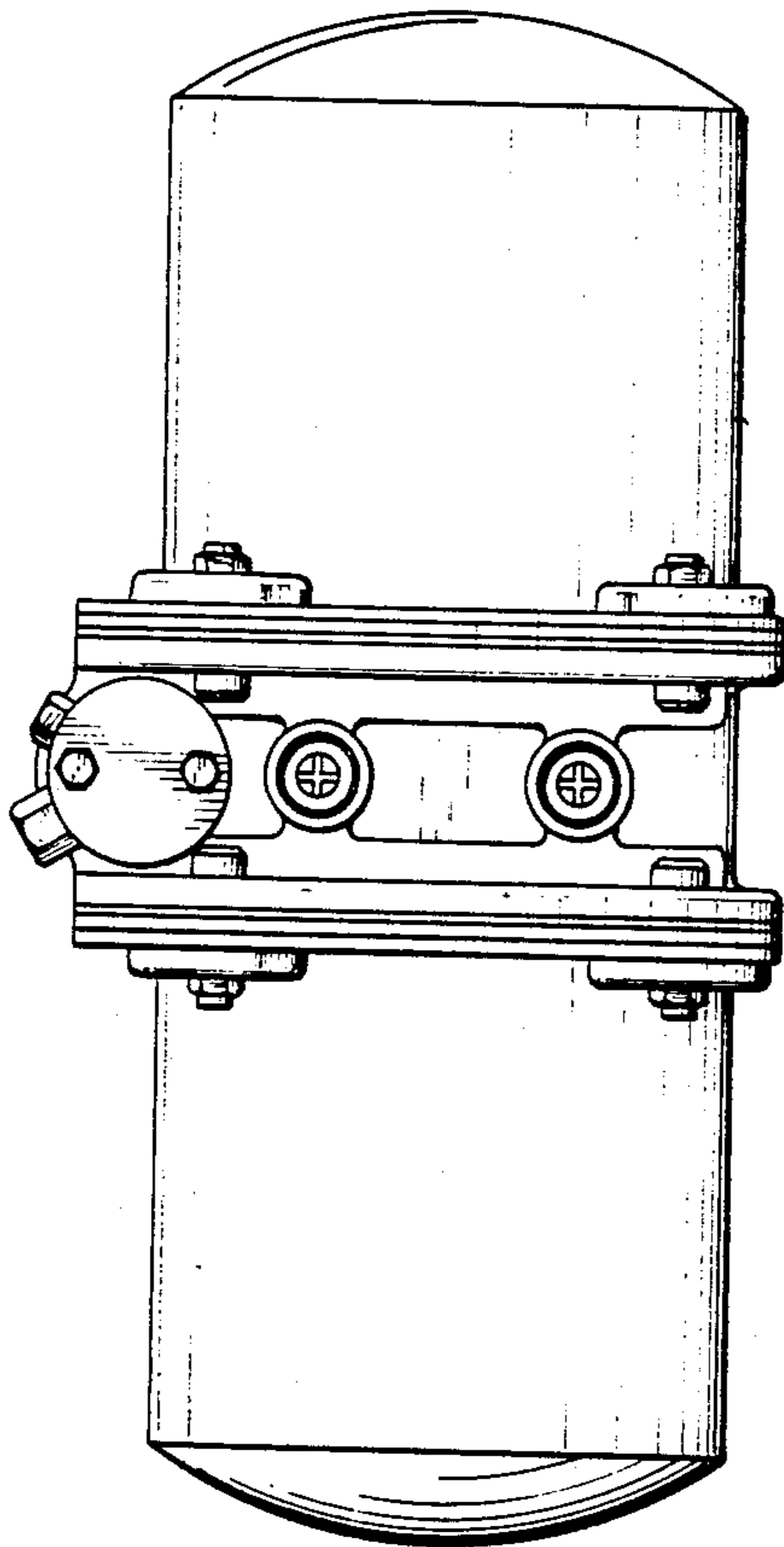
D. 172,354 6/1954 Line ..... D23/146  
D. 206,281 11/1966 Sunstrom ..... D23/4



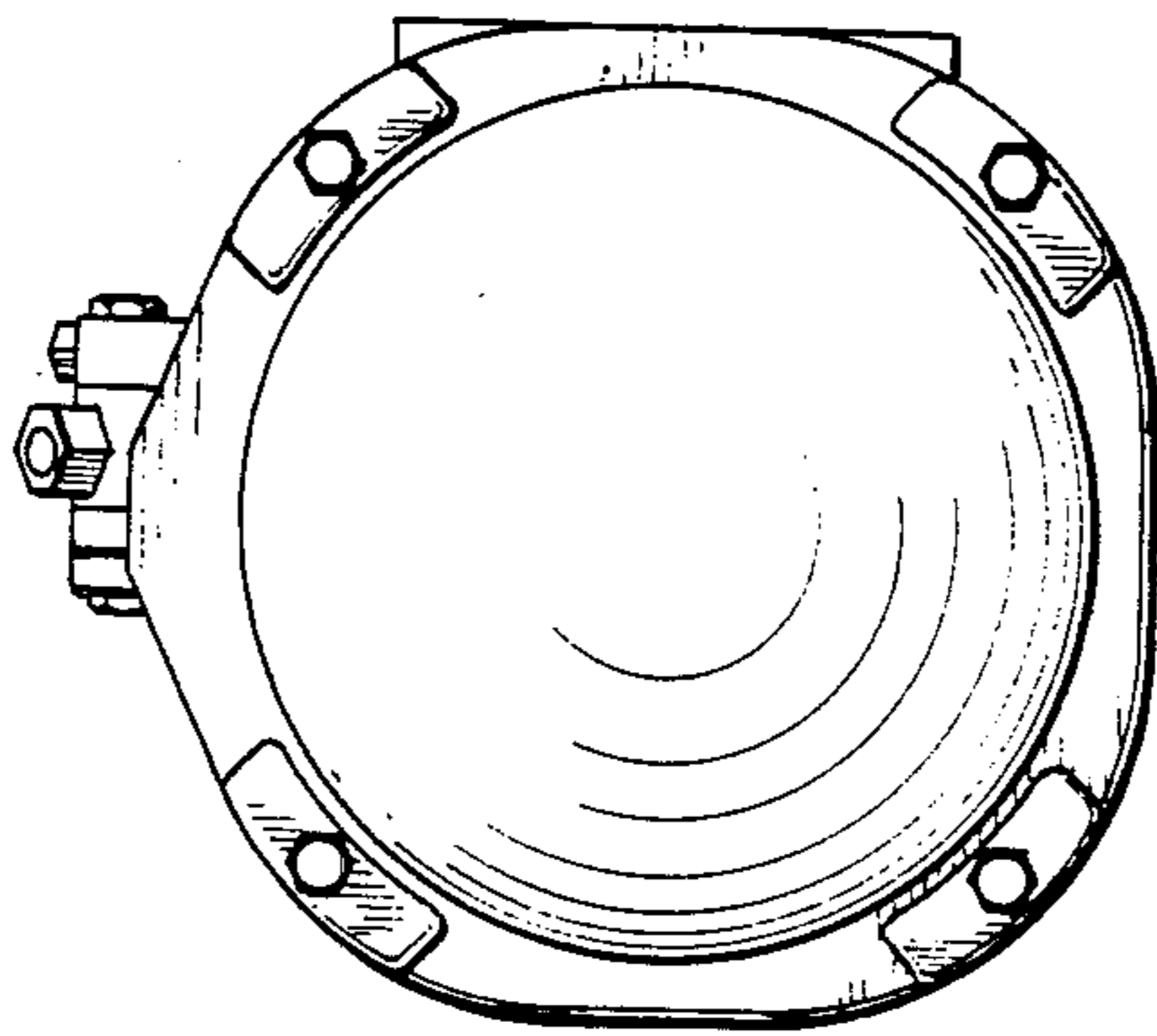
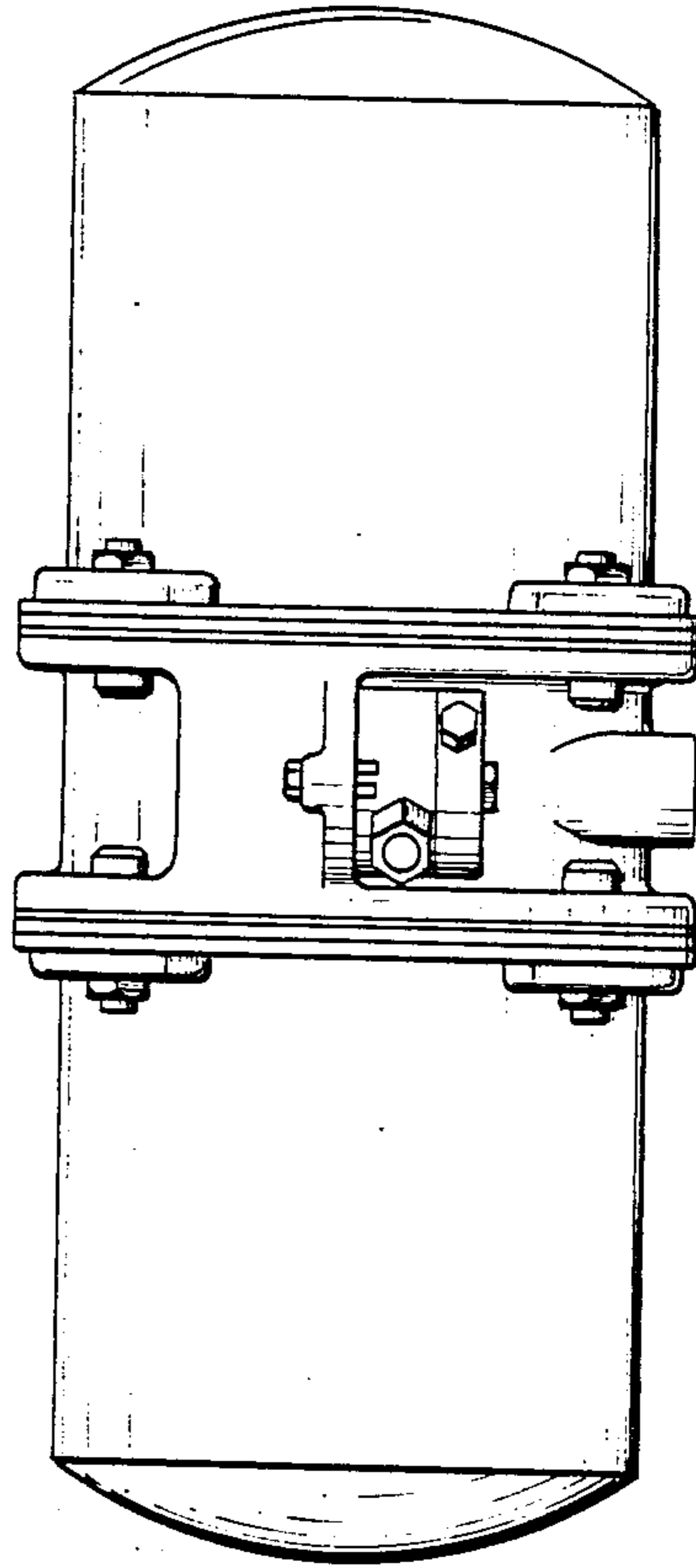


**FIG. 1**

**FIG. 2**

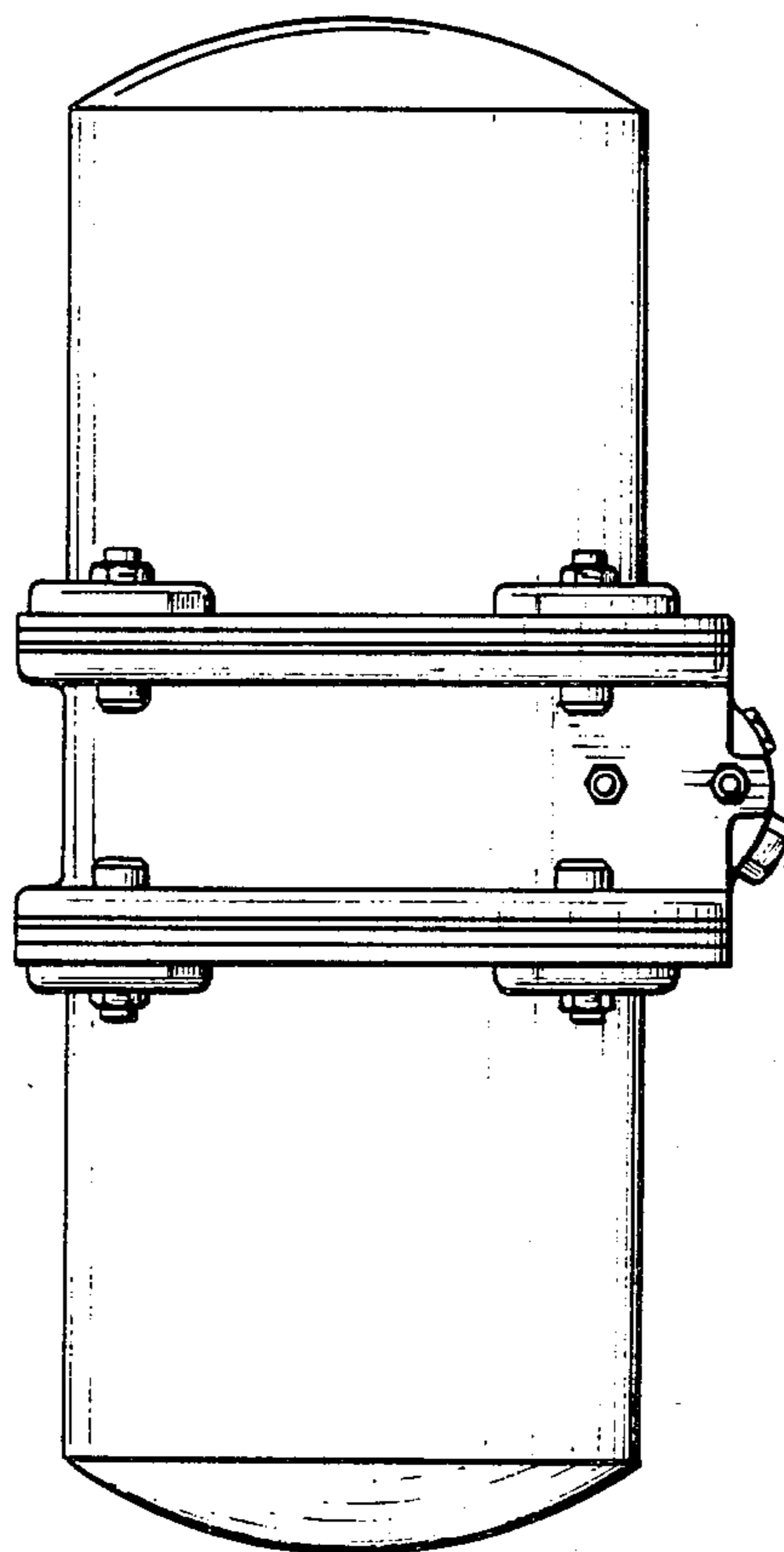
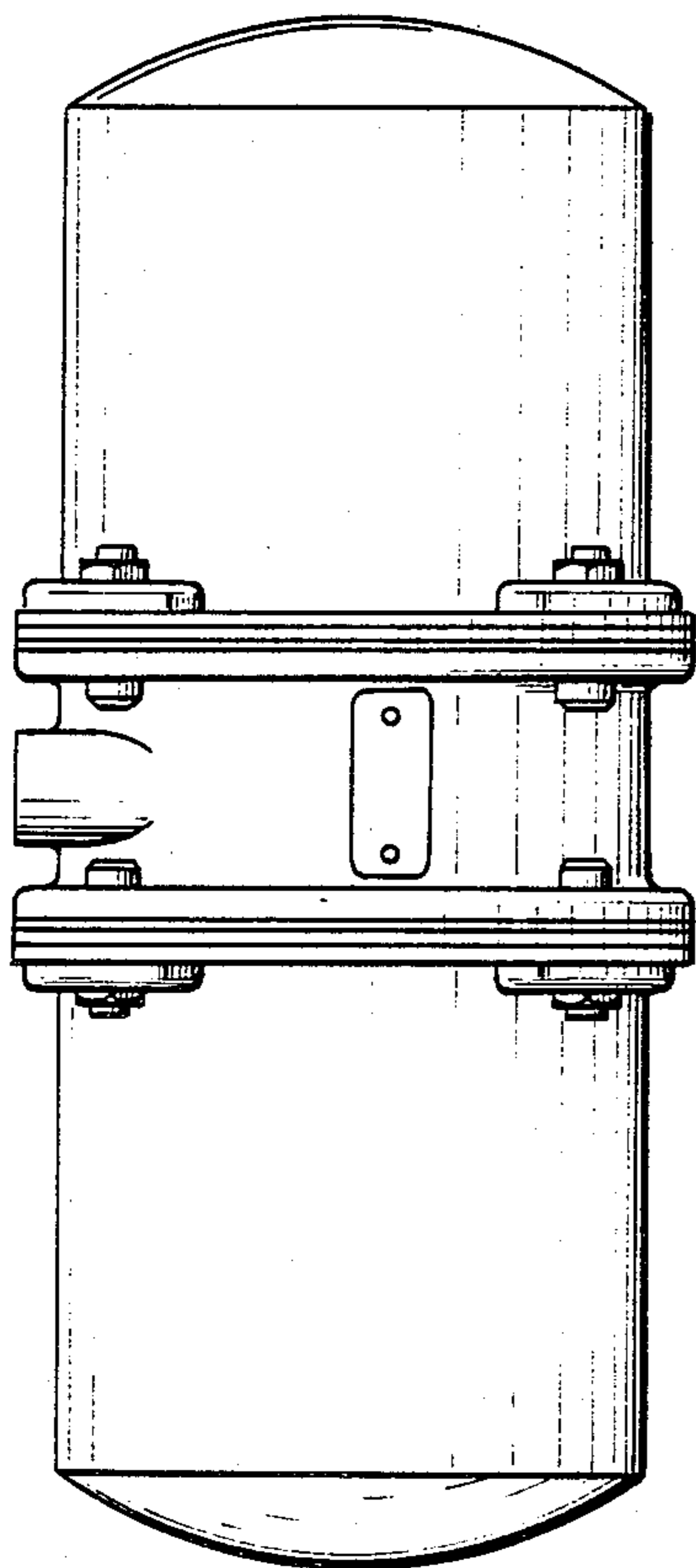


**FIG. 3**



**FIG. 5**

**FIG. 4**



**FIG. 6**