

[54] ADJUSTABLE PIPE JOINT

[75] Inventors: Freddie E. Hunt, Cucamonga; John E. Ronquillo, Baldwin Park, both of Calif.

[73] Assignee: Anthony Manufacturing Corp., Azusa, Calif.

[\*\*] Term: 14 Years

[21] Appl. No.: 600,801

[22] Filed: Apr. 16, 1984 (Under 37 CFR 1.47)

[52] U.S. Cl. .... D23/264

[58] Field of Search ..... D23/40-47; 285/184, 261

[56] References Cited

U.S. PATENT DOCUMENTS

- D. 59,942 12/1921 Tulloch ..... D23/43
- D. 179,768 2/1957 Giles ..... D23/43
- D. 207,524 4/1967 Terwilliger ..... D23/43 X
- D. 263,332 3/1982 Butterfield ..... D23/45
- D. 268,612 4/1983 Sutcliffe ..... D23/43
- D. 283,833 5/1986 Macintyre ..... D23/43

717,882	1/1903	Martin, Jr. ....	285/354 X
1,928,279	9/1933	Bard .....	285/354 X
2,564,938	8/1951	Warren .....	285/261 X
3,224,793	12/1965	Benjamin .....	285/321 X

Primary Examiner—James R. Largen  
Attorney, Agent, or Firm—Kelly, Bauersfeld & Lowry

[57] CLAIM

The ornamental design for an adjustable pipe joint, substantially as shown and described.

DESCRIPTION

FIG. 1 is a perspective view taken from the top, front and left side of an adjustable pipe joint showing our new design;

FIG. 2 is a left side elevation thereof;

FIG. 3 is a rear elevation thereof;

FIG. 4 is a front elevation thereof;

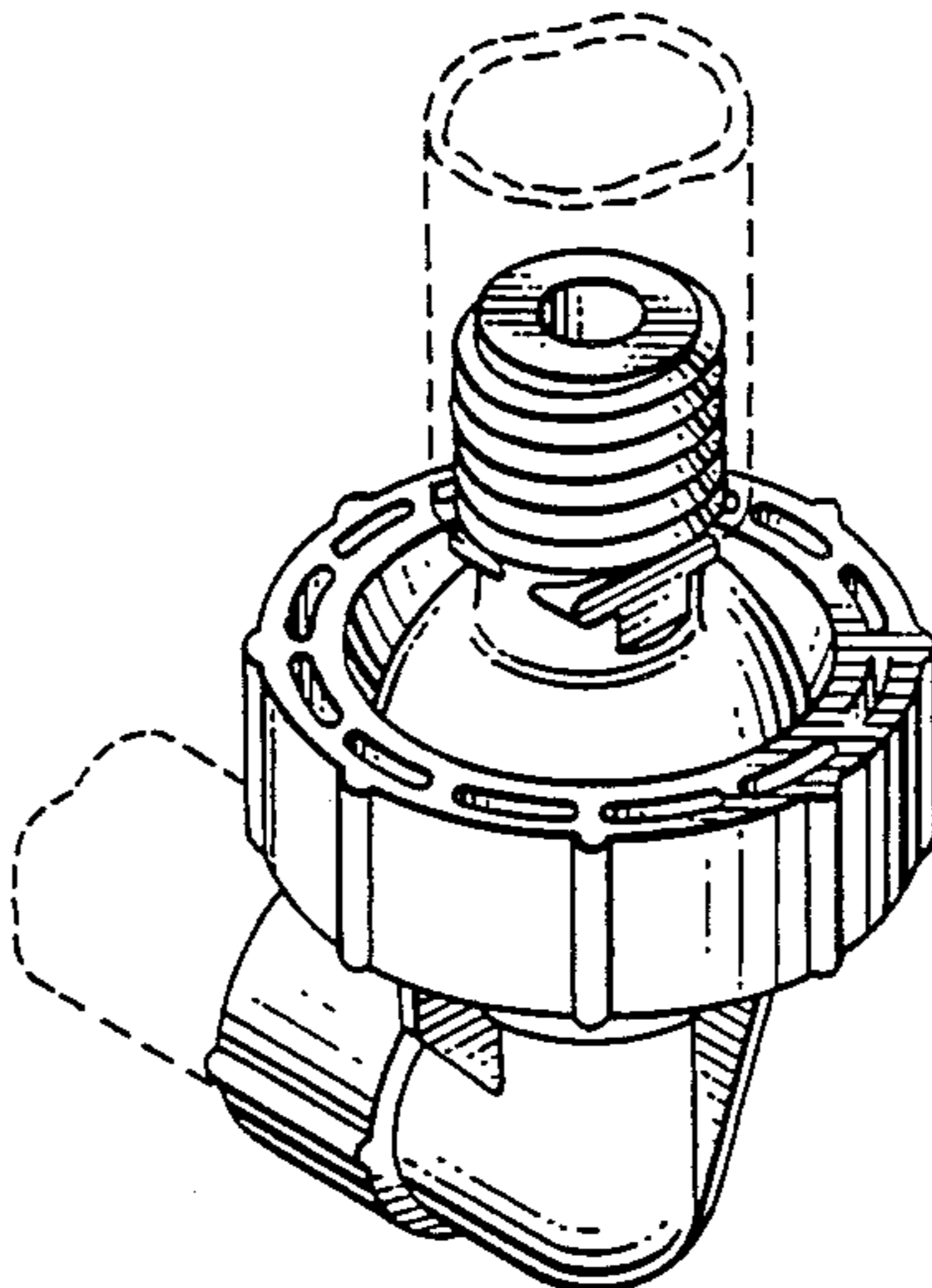
FIG. 5 is a right side elevation thereof;

FIG. 6 is a top plan view thereof;

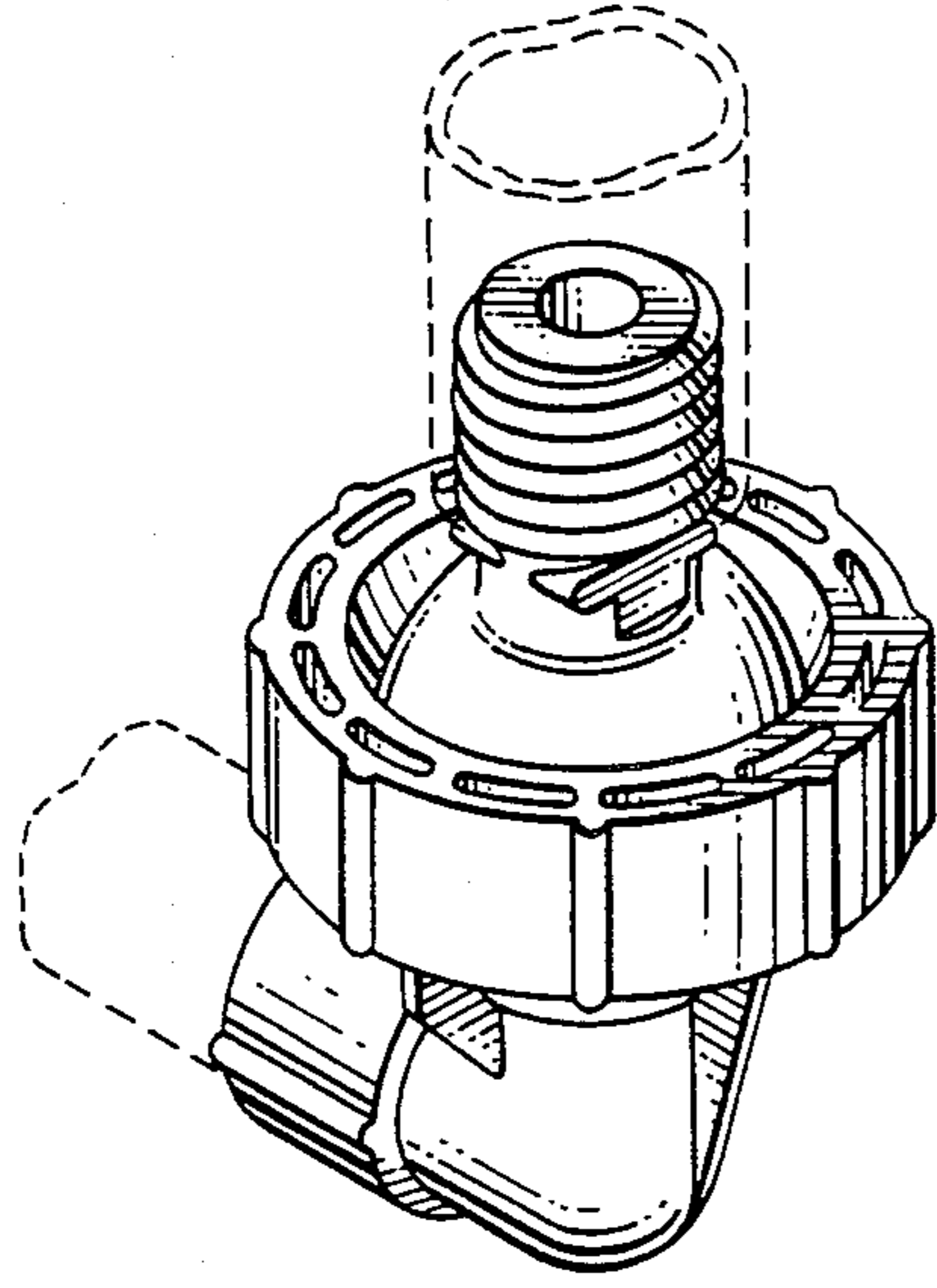
FIG. 7 is a bottom plan view thereof;

FIG. 8 is another perspective view taken from the top, front and left side thereof showing the pipe joint in an adjusted position.

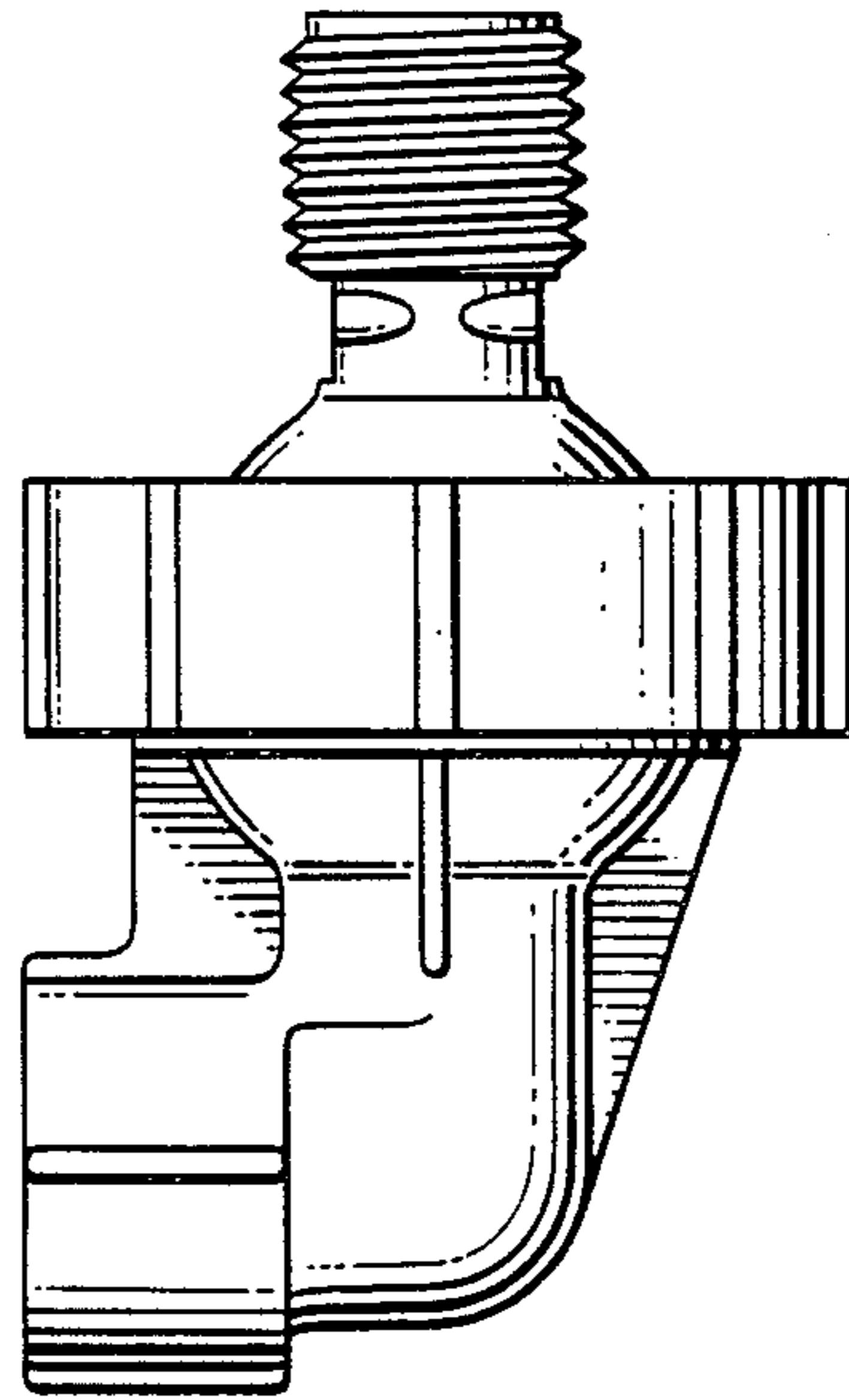
The fragmentary broken line showing of pipes in FIGS. 1 and 8 are for purposes of illustration only.



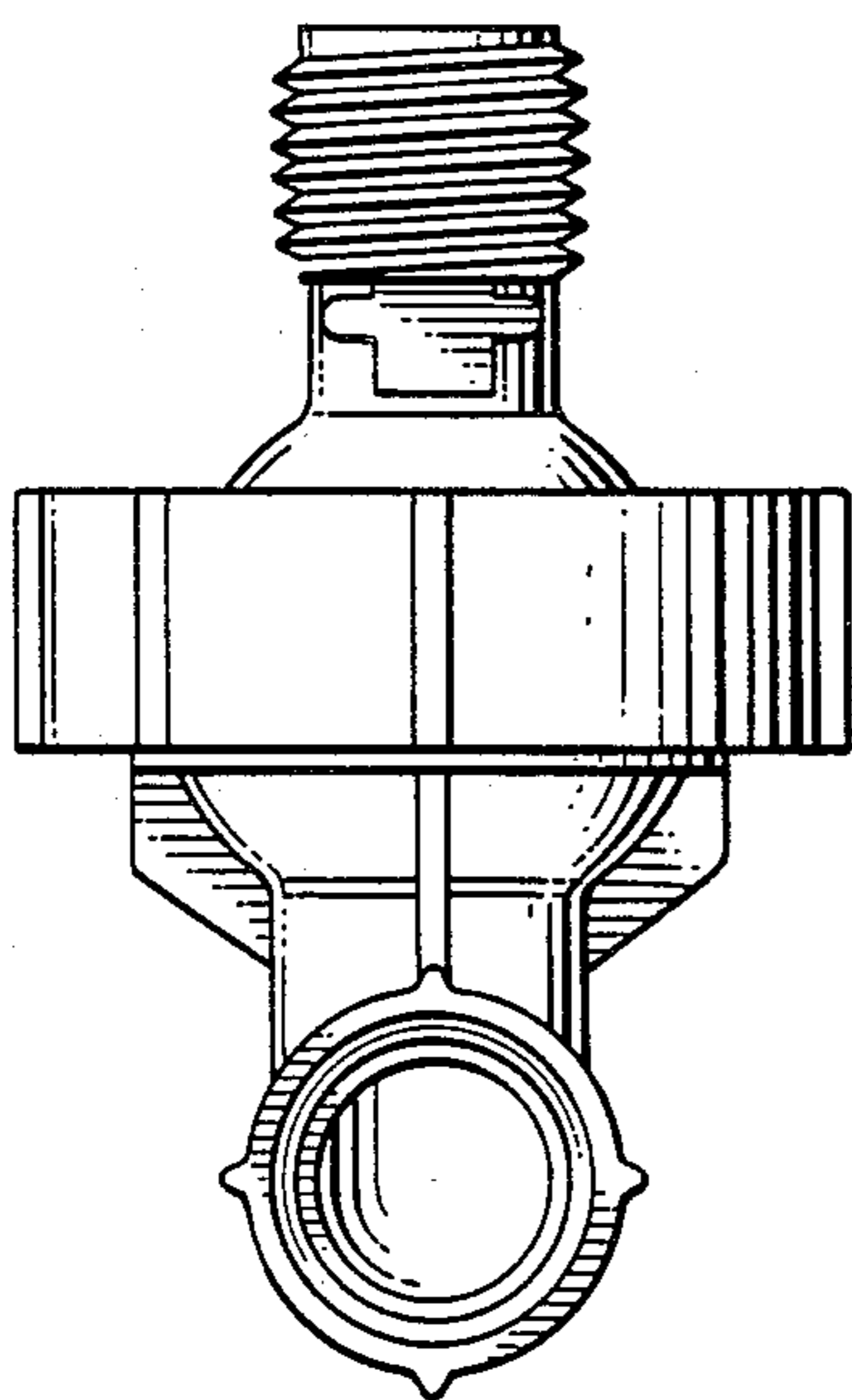
*FIG. 1*



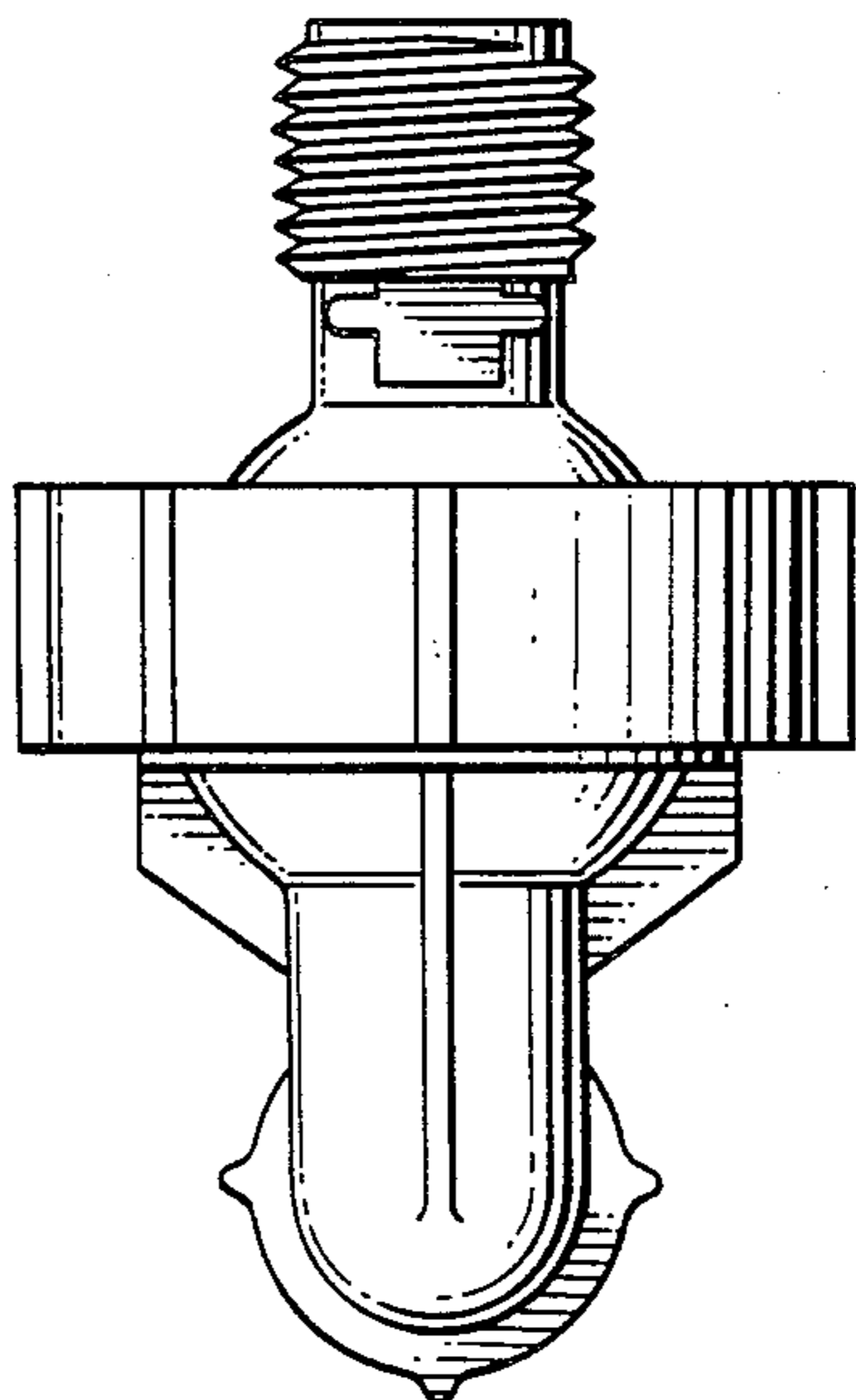
*FIG. 2*



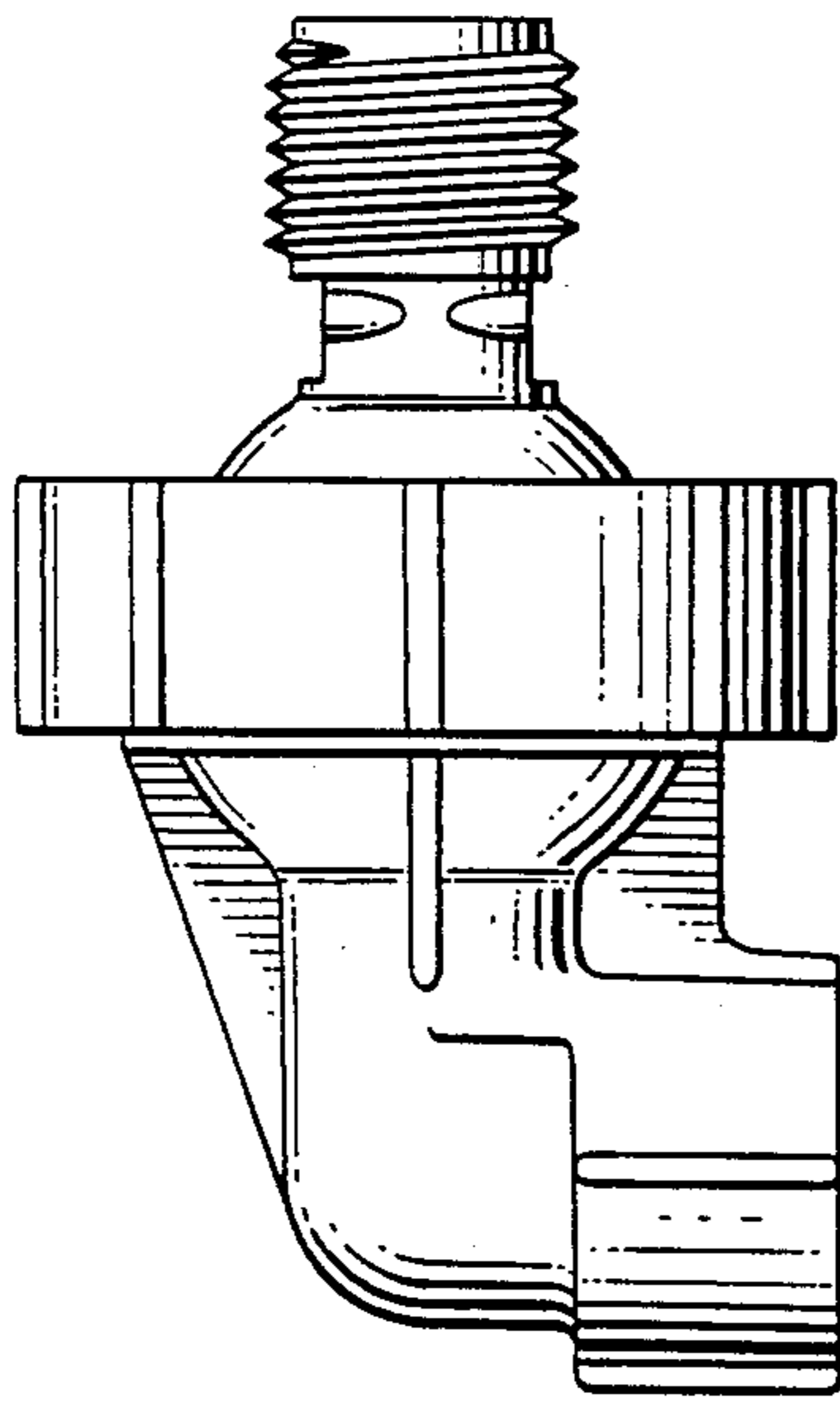
*FIG. 3*



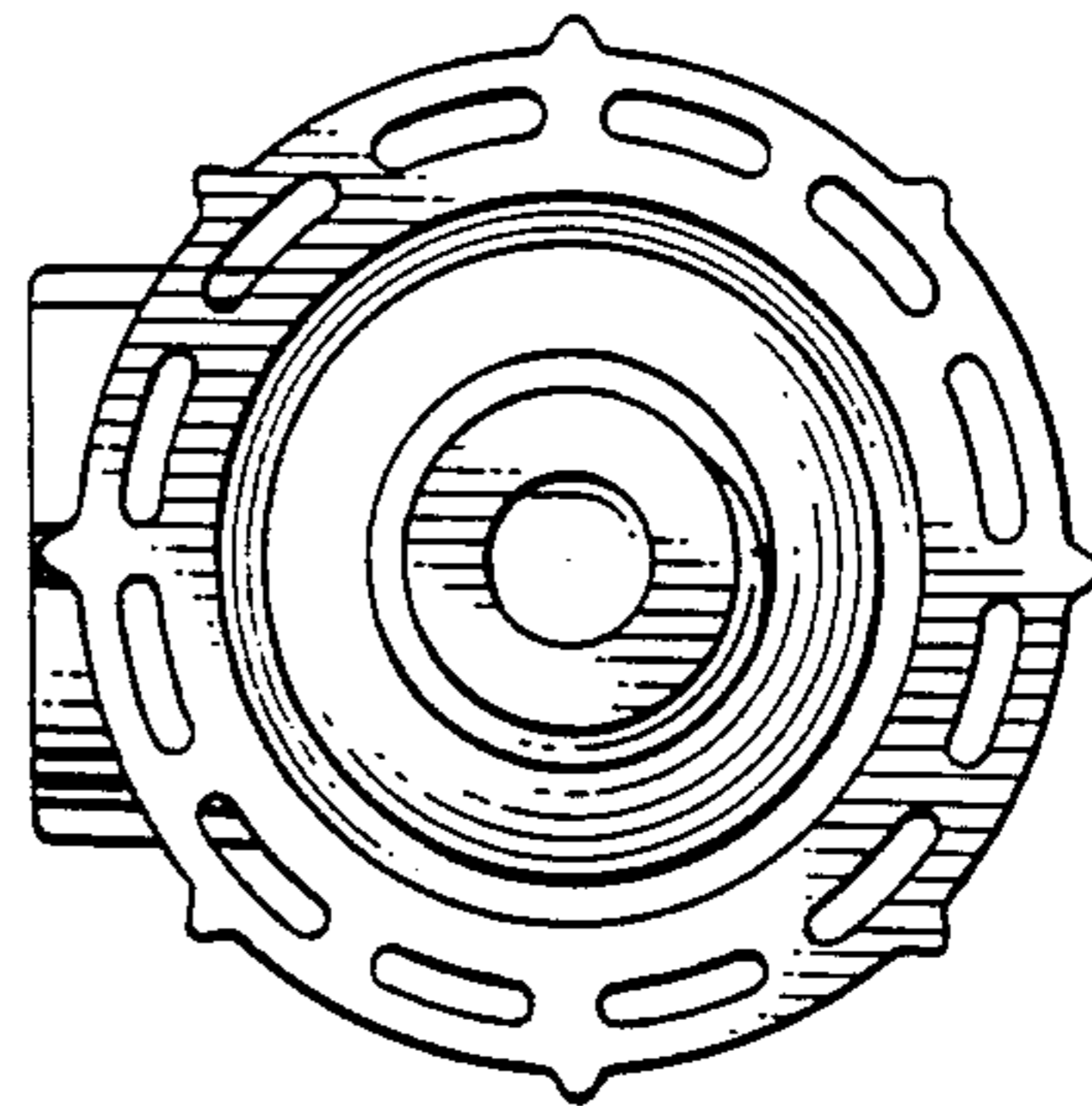
*FIG. 4*



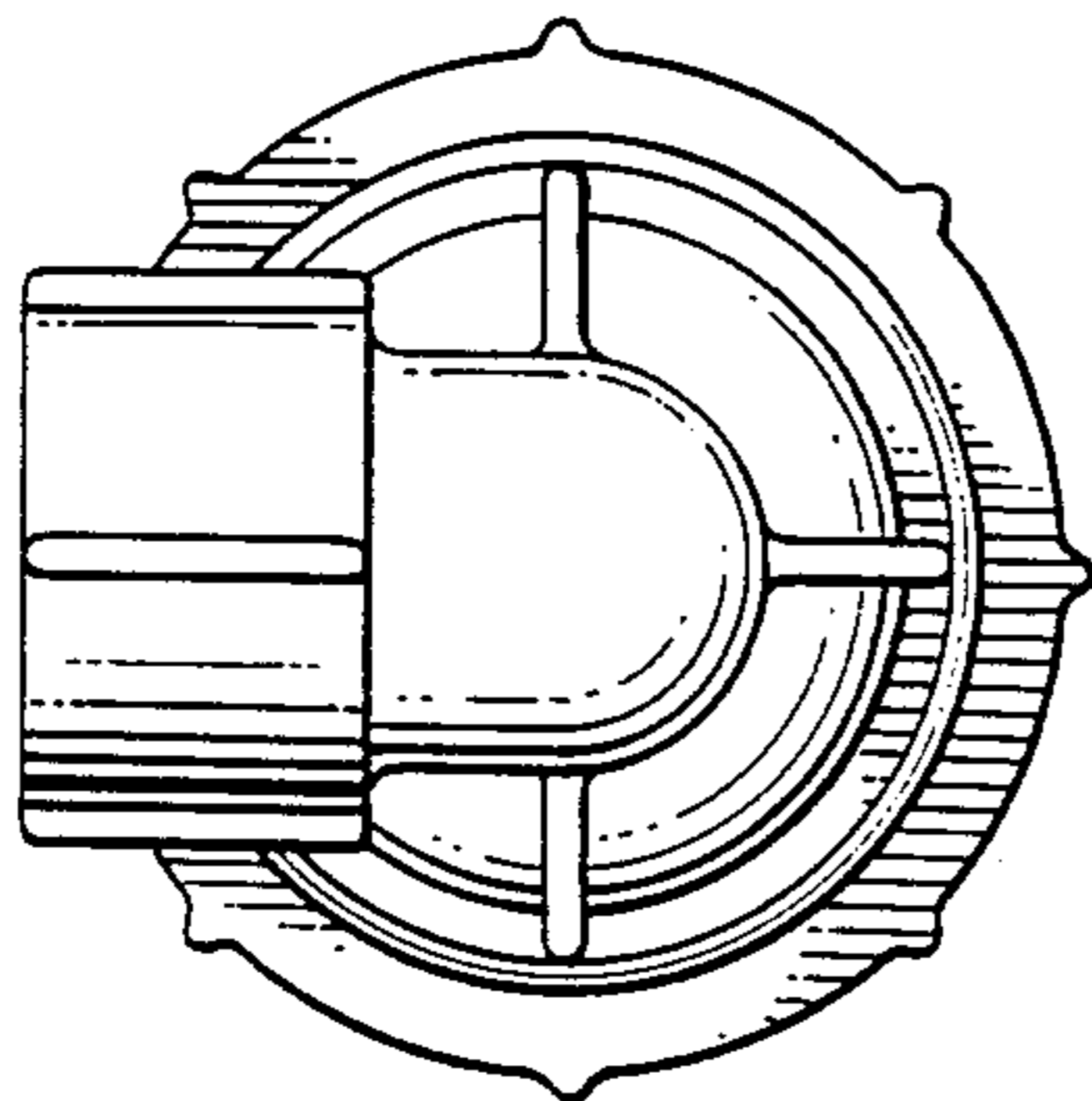
*Fig. 5*



*Fig. 6*



*Fig. 7*



*Fig. 8*

