

- [54] WATER CONTROL UNIT FOR A HAND SHOWER
- [75] Inventors: Konrad Bergmann, Wittlich; Wolfgang Fabian, Mannheim, both of Fed. Rep. of Germany
- [73] Assignee: American Standard Inc., New York, N.Y.
- [\*\*] Term: 14 Years
- [21] Appl. No.: 35,311
- [22] Filed: Apr. 6, 1987

D. 114,200	4/1939	Sedlon et al.	.....	D23/23
D. 193,757	10/1962	Armstrong	.....	D23/23
D. 200,390	2/1965	Staat et al.	.....	D23/23
D. 200,754	3/1965	Landell	.....	D23/23
D. 219,780	1/1971	Niemann	.....	D23/23
D. 242,454	11/1976	Jones	.....	D23/26
D. 245,092	7/1977	Saether	.....	D23/26
3,920,043	11/1975	Fowell	.....	137/625.4 X
4,103,709	8/1978	Fischer	.....	137/801 X
4,157,099	6/1979	Delker et al.	.....	137/625.17
4,513,781	4/1985	Nikolayczik	.....	137/625.41
4,522,231	6/1985	Bergmann	.....	137/625.17
4,552,171	11/1985	Farrell et al.	.....	4/192 X

Related U.S. Application Data

[62] Division of Ser. No. 777,478, Sep. 18, 1985.

[30] Foreign Application Priority Data

Apr. 30, 1985 [DE] Fed. Rep. of Germany ... 20MR2050

[52] U.S. Cl. .... D23/233; D23/238

[58] Field of Search .... D23/23-32; 4/191, 192; 137/606, 625.17, 625.4, 625.41, 801

[56] References Cited

U.S. PATENT DOCUMENTS

D. 62,740	7/1923	Muend	.....	D23/26
D. 72,505	4/1927	Van Eweyk	.....	D23/26

Primary Examiner—James R. Largen  
Attorney, Agent, or Firm—James J. Salerno, Jr.; Robert G. Crooks; John P. Sinnott

[57] CLAIM

The ornamental design for a water control unit for a hand shower, substantially as shown and described.

DESCRIPTION

FIG. 1 is a left side elevational view of a water control unit for a hand shower, showing our new design, the right side being a mirror image of the left side shown; FIG. 2 is a bottom plan view thereof; FIG. 3 is a top plan view thereof; FIG. 4 is a front elevational view thereof; and, FIG. 5 is a rear elevational view thereof.

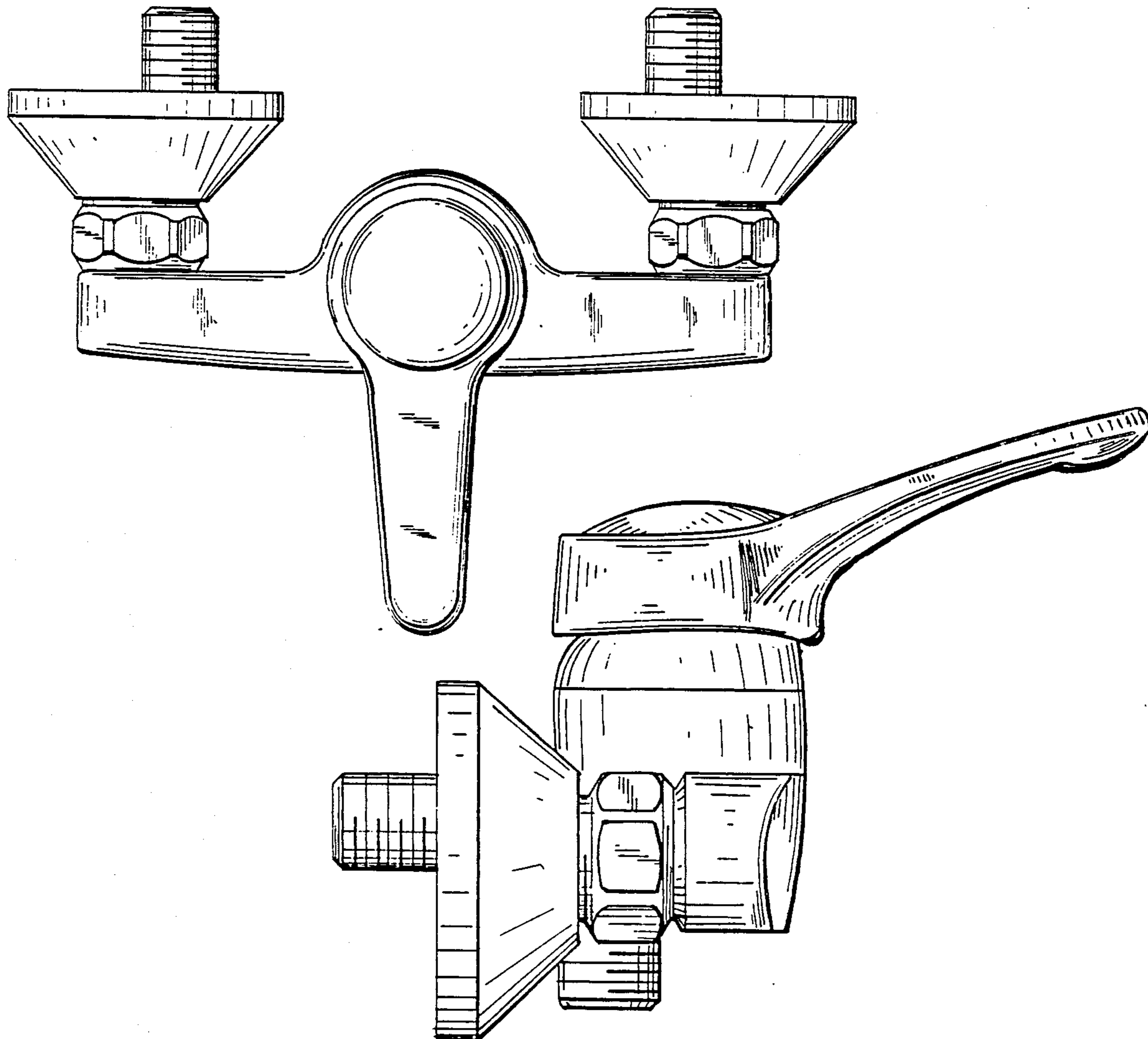


FIG. 1

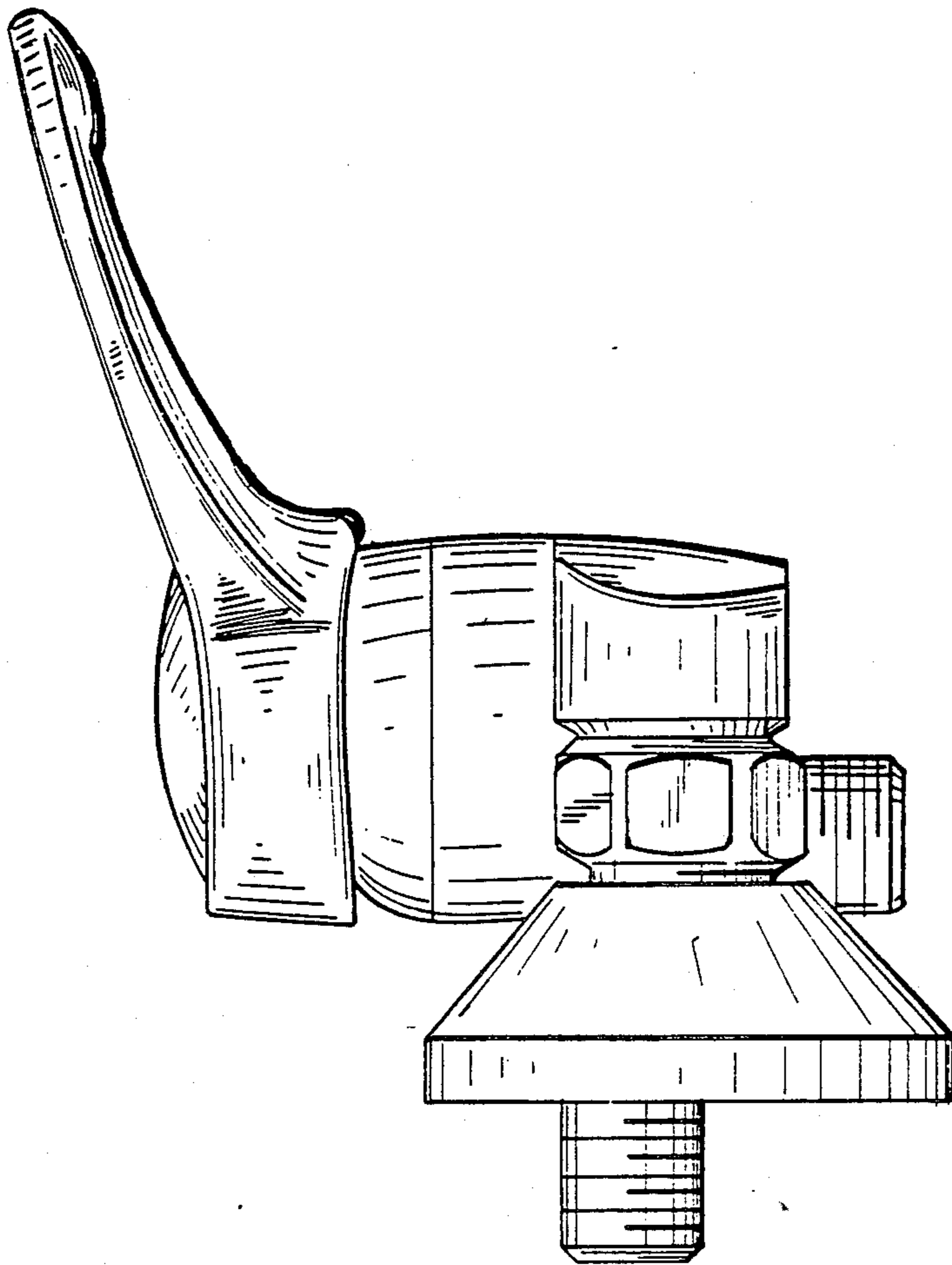


FIG. 5

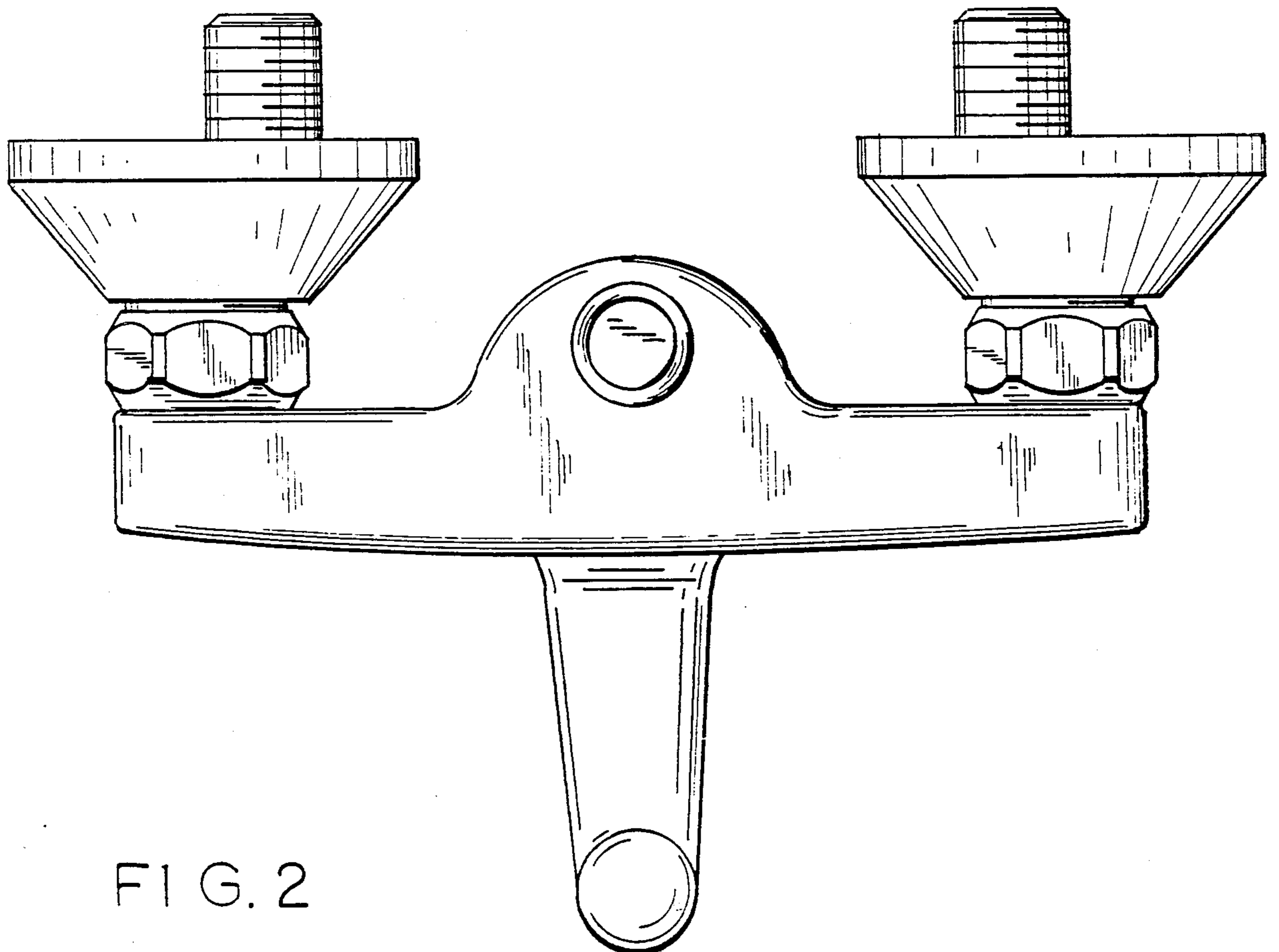
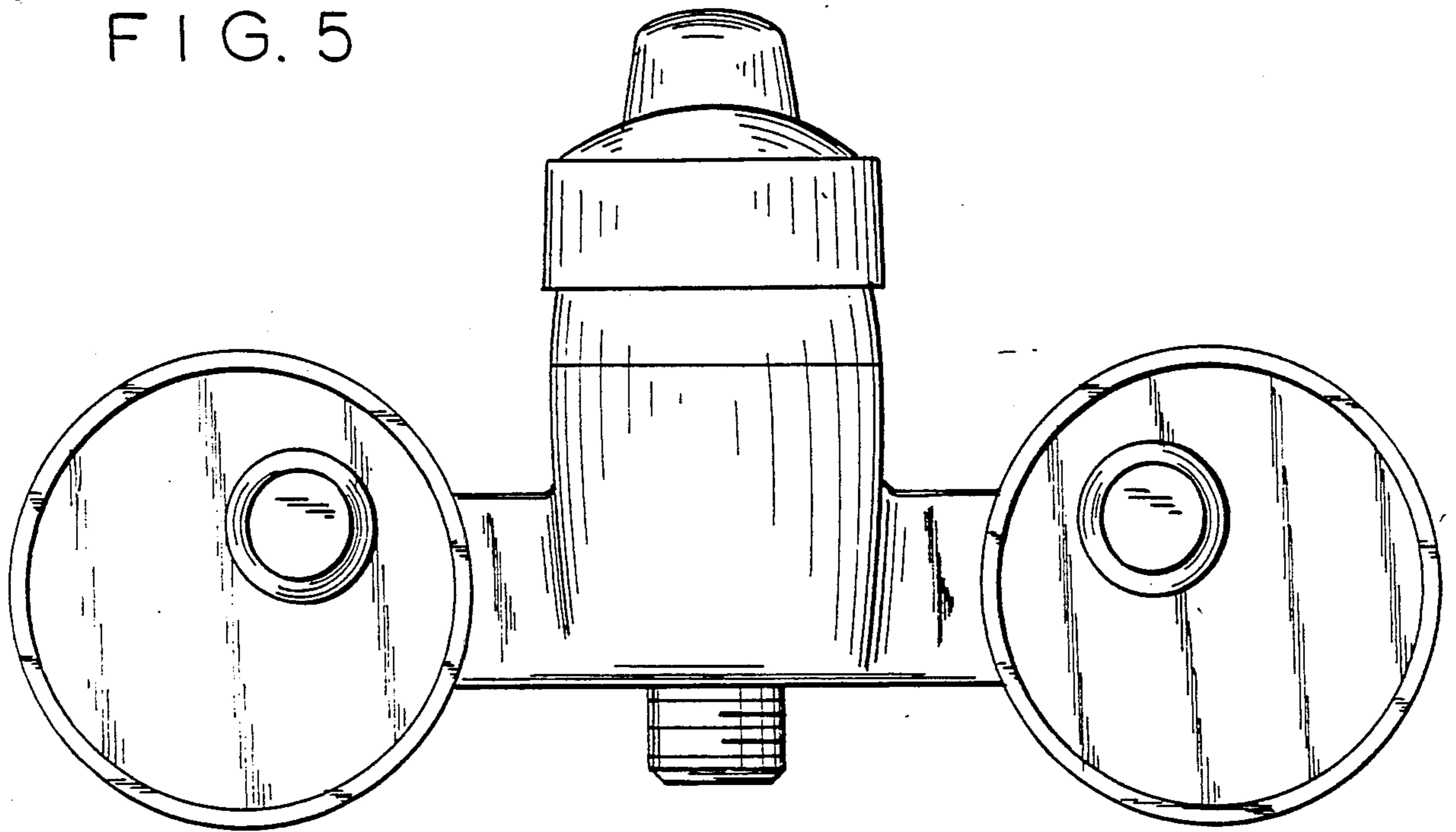


FIG. 2

FIG. 4

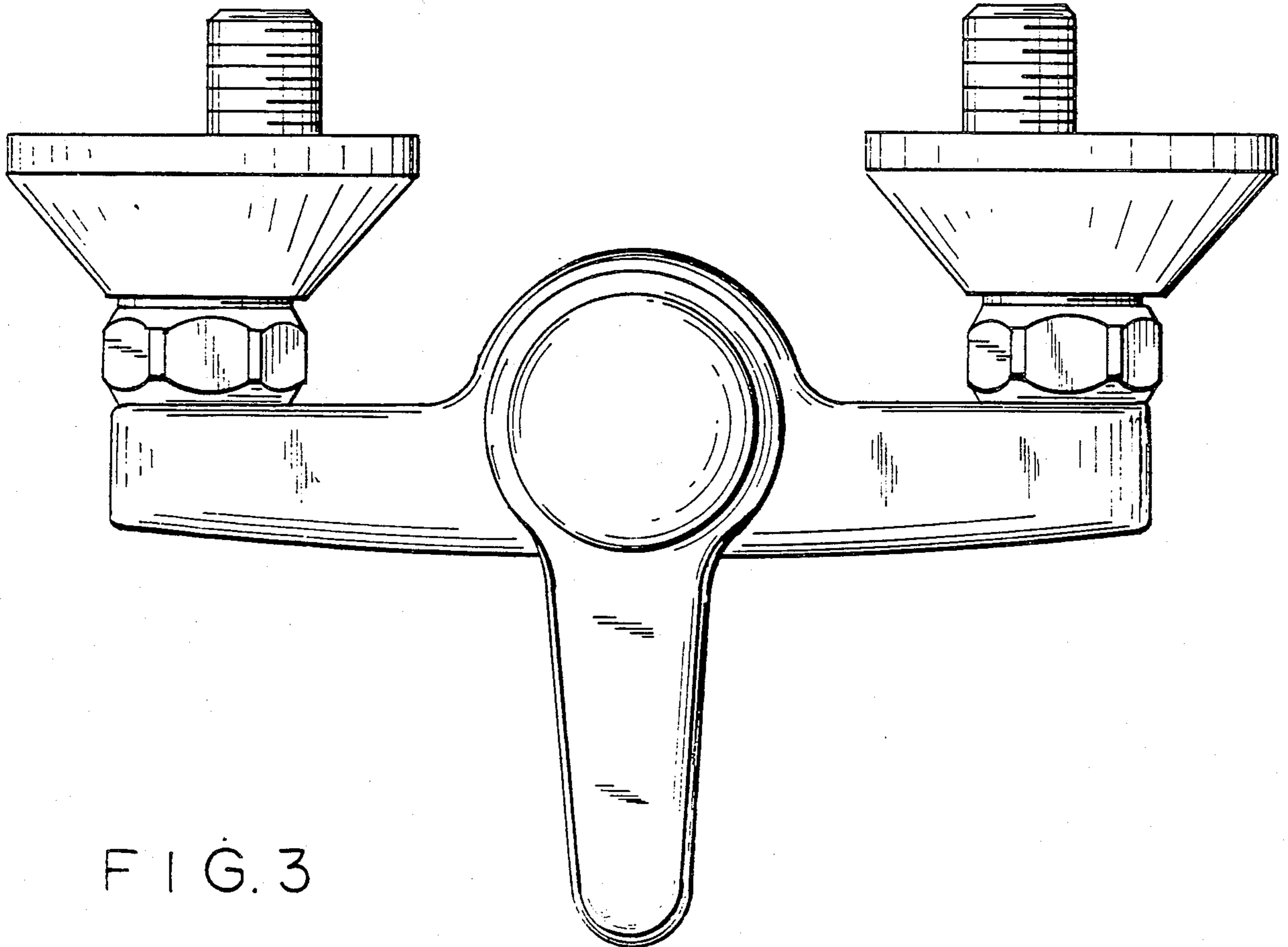
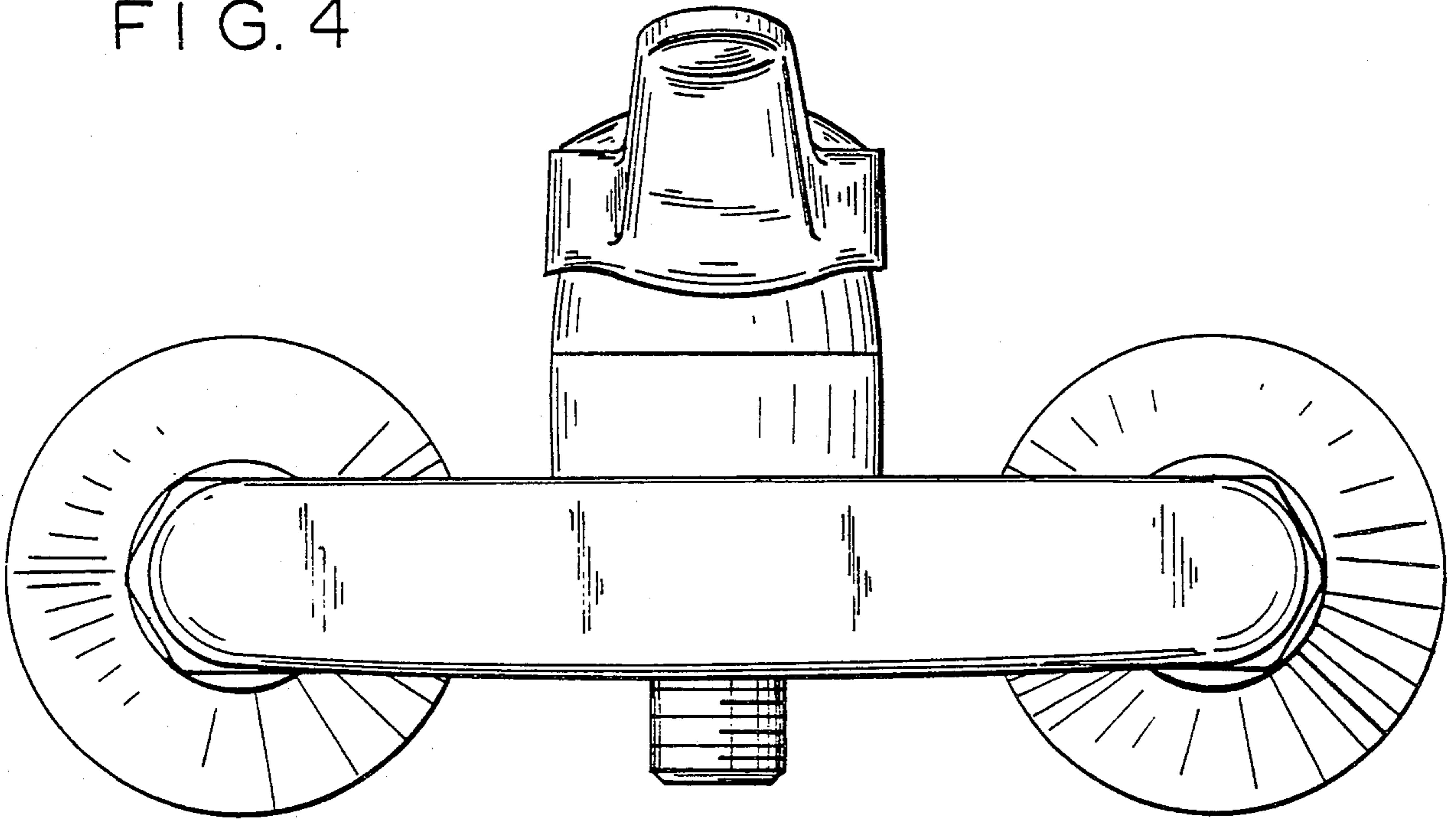


FIG. 3