

[54] BICYCLE ERGOMETER

[75] Inventor: Heikki Kiiski, Turku, Finland

[73] Assignee: Tunturipyörä Oy, Turku, Finland

[\*\*] Term: 14 Years

[21] Appl. No.: 756,719

[22] Filed: Jul. 19, 1985

[30] Foreign Application Priority Data

May 22, 1985 [FI] Finland ..... 402/85

[52] U.S. Cl. .... D21/194

[58] Field of Search ..... D21/191-,  
D21/199; 272/73, 70.3, 132, DIG. 6; 73/379;  
128/363, 364

[56] References Cited

U.S. PATENT DOCUMENTS

- D. 279,206 6/1985 Smith et al. .... D21/194
- D. 280,003 8/1985 Kiiski ..... D21/194

- D. 280,923 10/1985 Smith et al. .... D21/194
- D. 281,520 11/1985 Kiiski ..... D21/194
- D. 285,953 9/1986 Gustafsson ..... D21/194
- 4,533,136 8/1985 Smith et al. .... 272/73
- 4,592,544 6/1986 Smith et al. .... 272/73

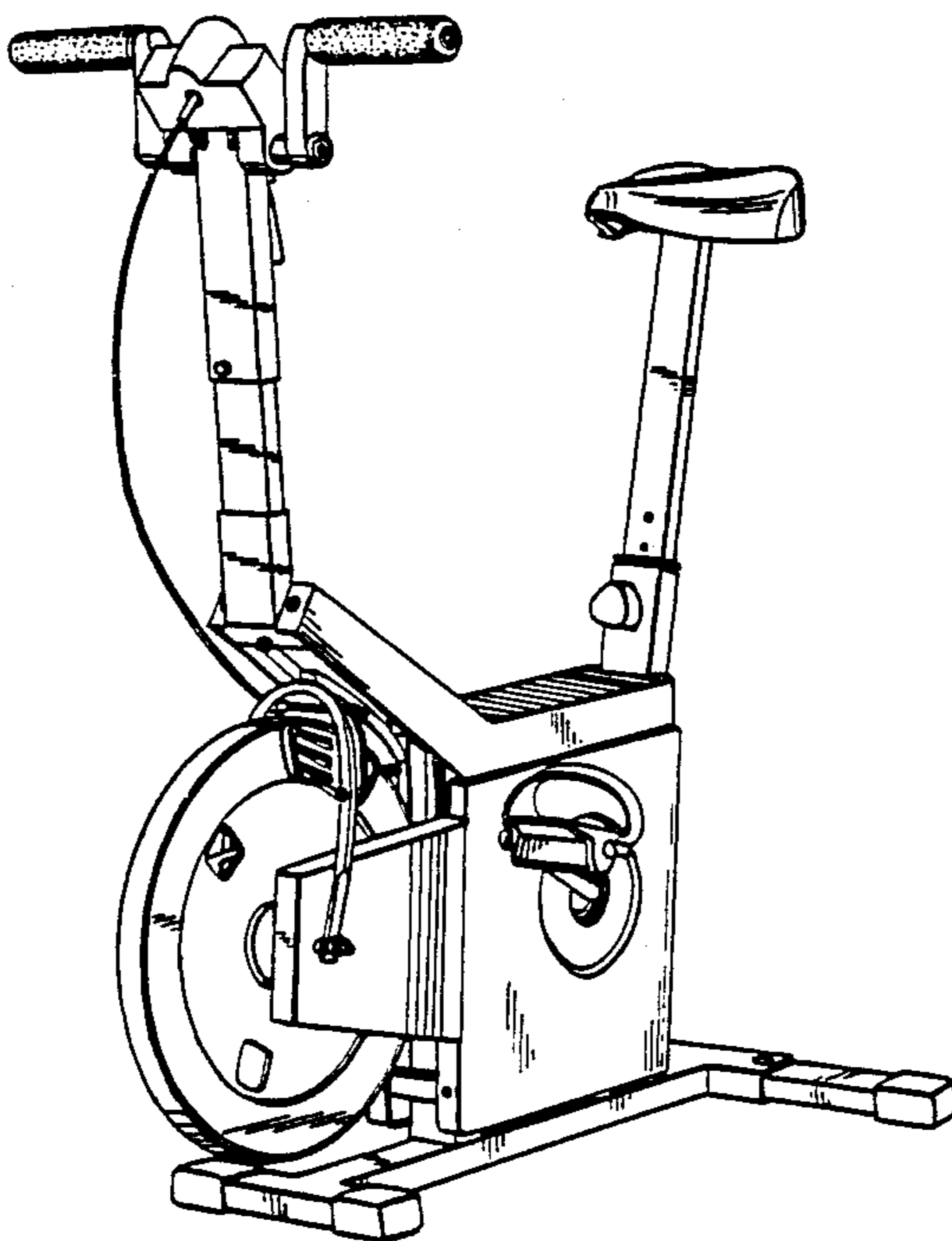
Primary Examiner—Charles A. Rademaker  
Attorney, Agent, or Firm—Fleit, Jacobson, Cohn & Price

[57] CLAIM

The ornamental design for a bicycle ergometer, as shown and described.

DESCRIPTION

FIG. 1 is a perspective view of a bicycle ergometer showing my new design;  
 FIG. 2 is a left side perspective view thereof;  
 FIG. 3 is a right side perspective view thereof;  
 FIG. 4 is a front perspective view thereof;  
 FIG. 5 is a rear perspective view thereof;  
 FIG. 6 is a top perspective view thereof; and  
 FIG. 7 is a bottom perspective view thereof.



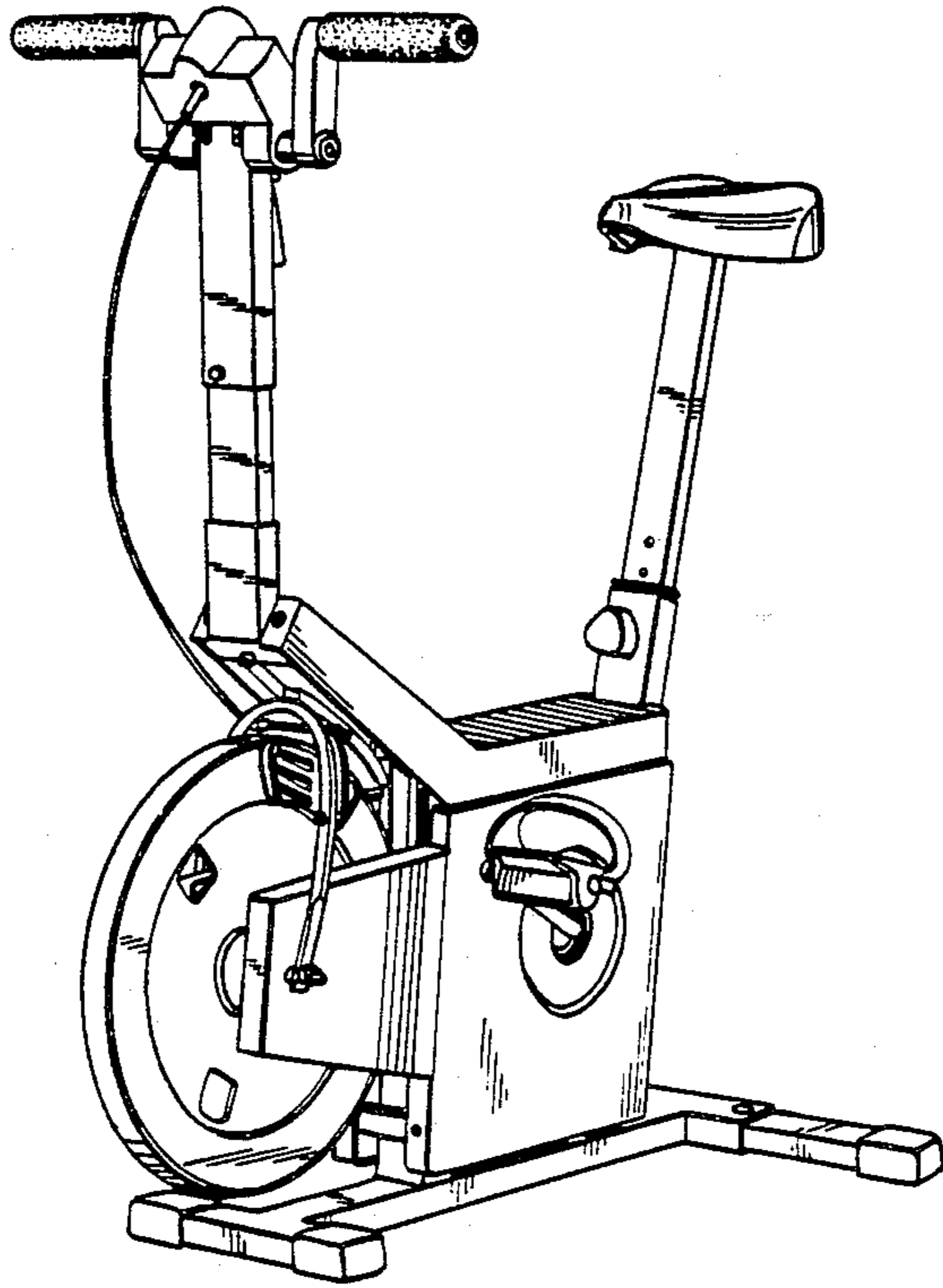


FIG. 1

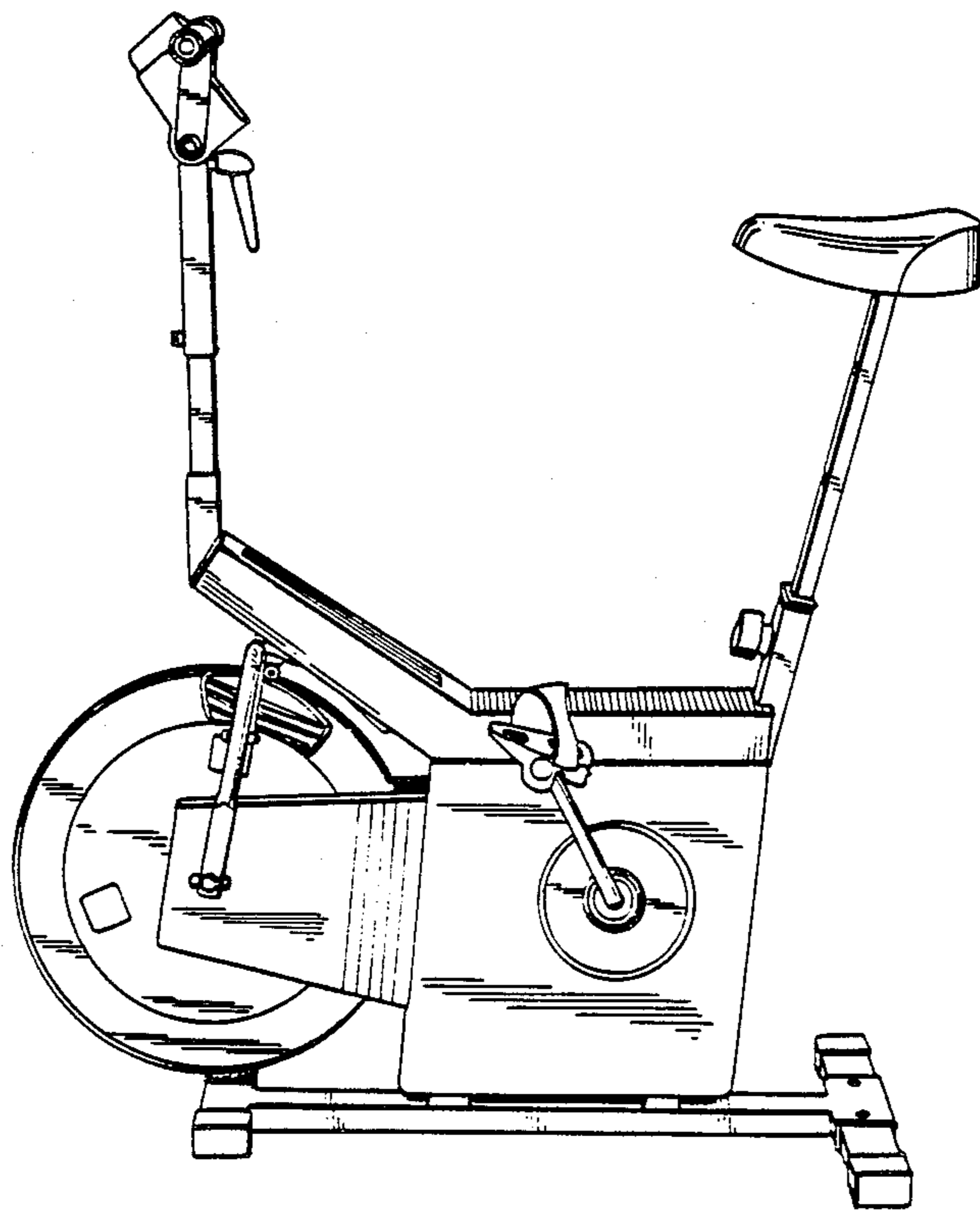


FIG. 2

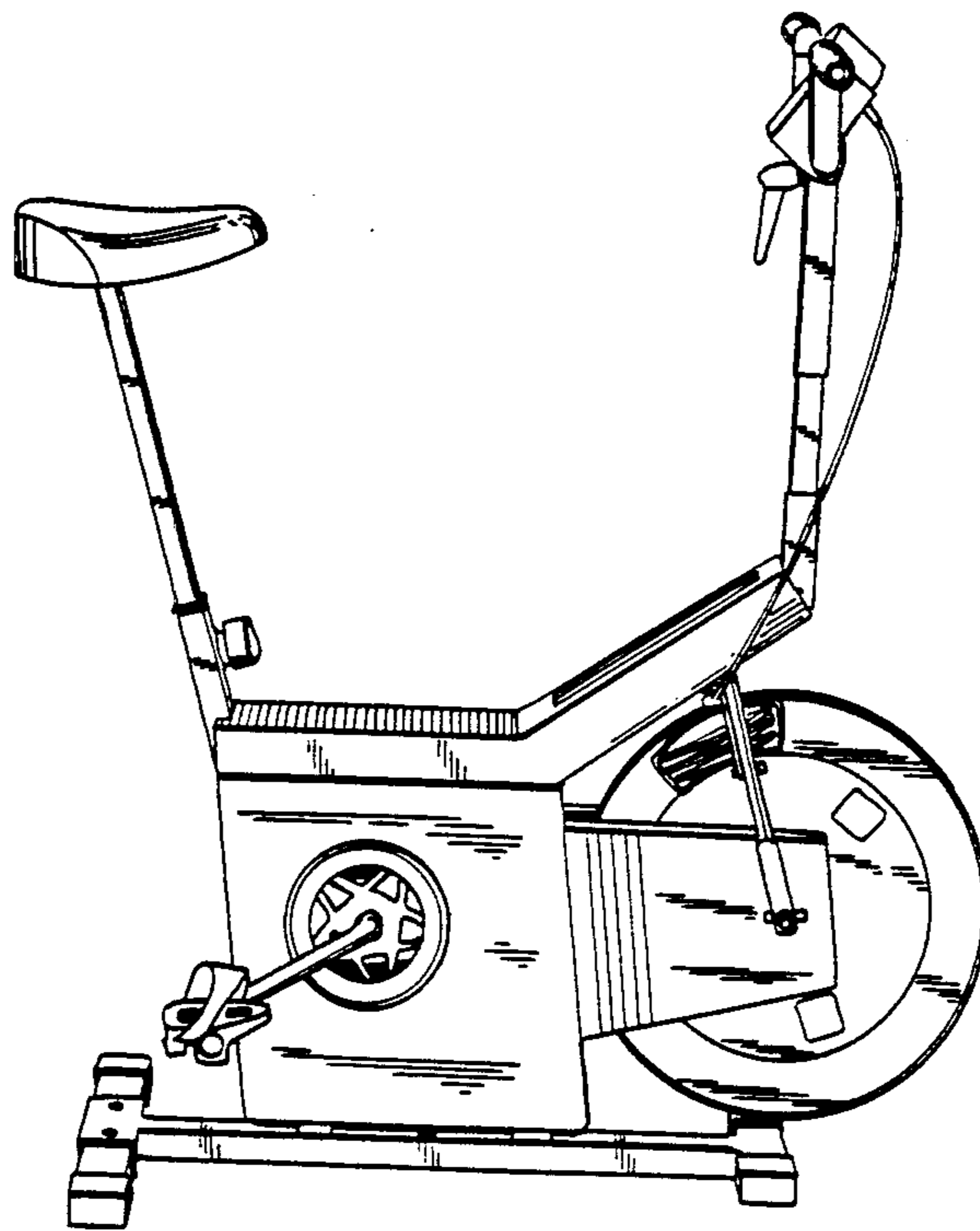


FIG. 3

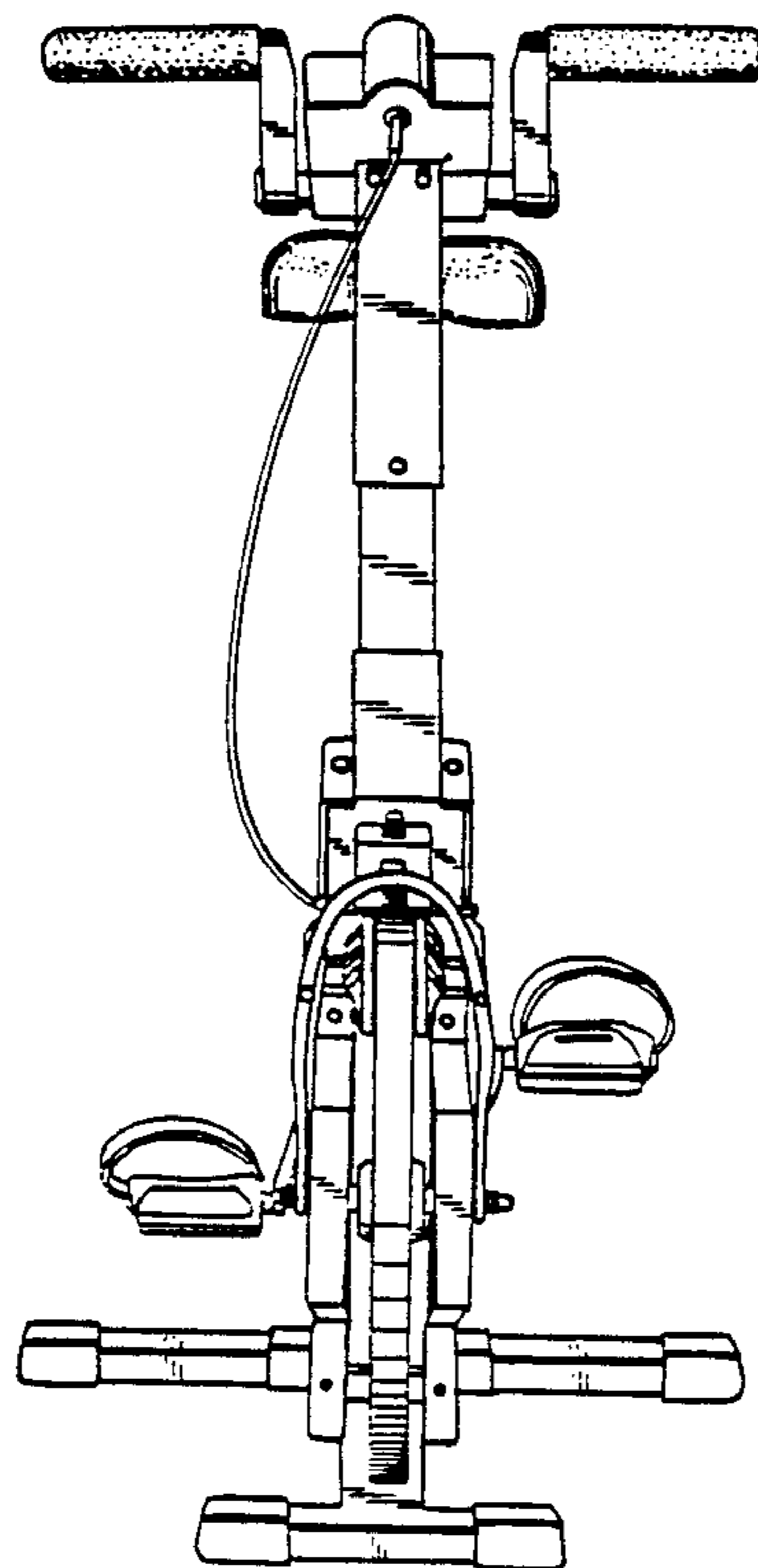


FIG. 4

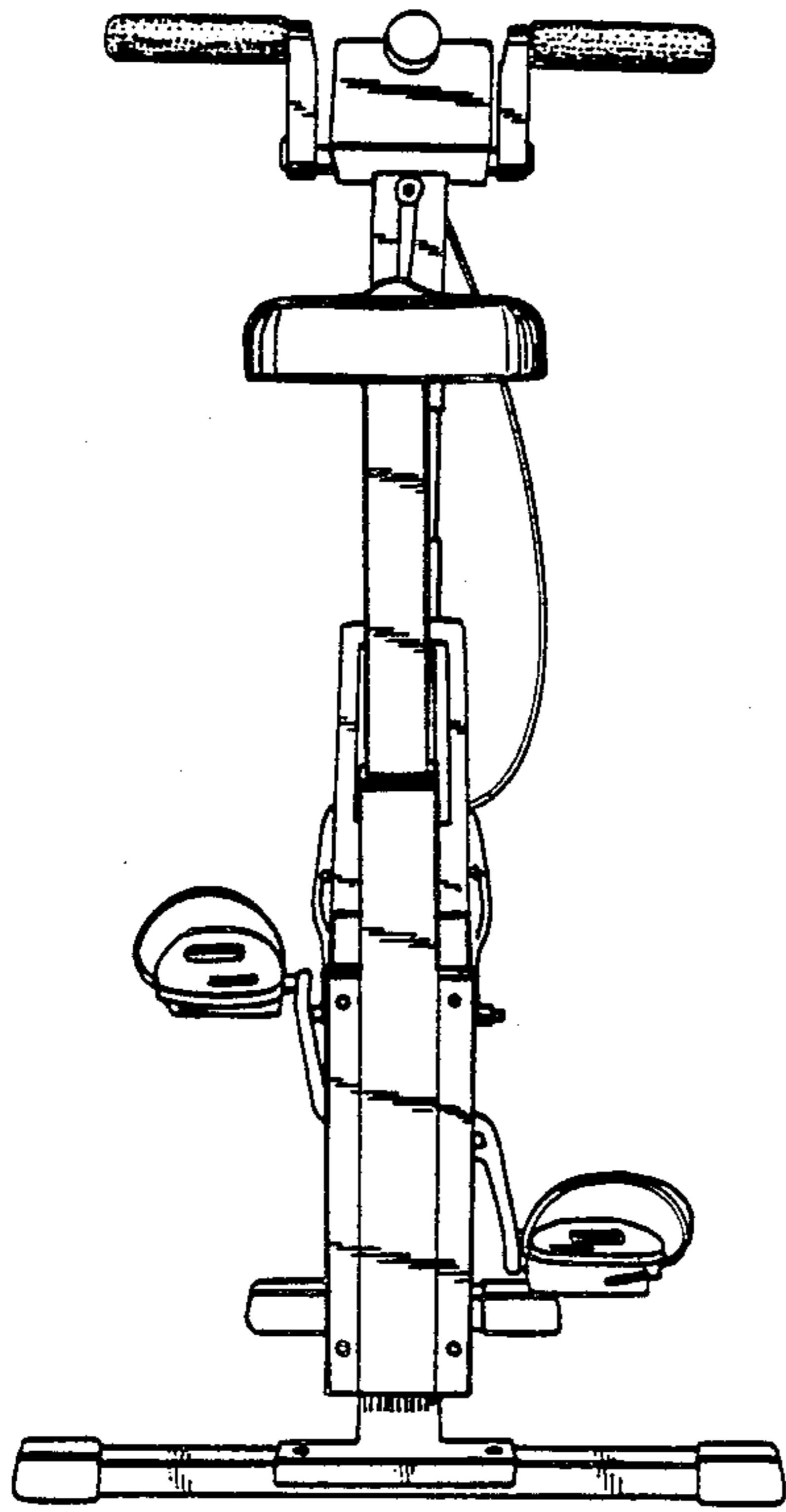


FIG. 5

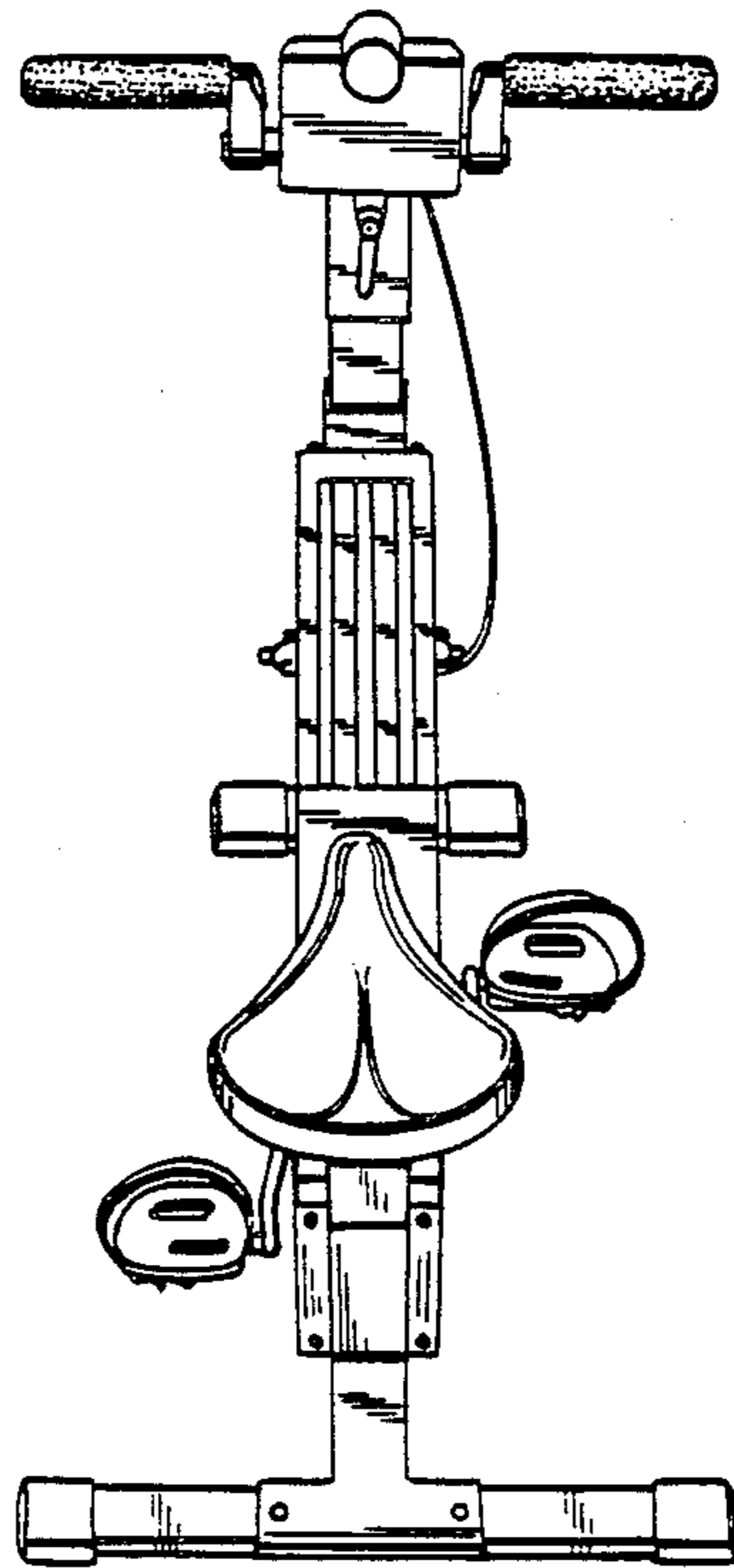


FIG. 6

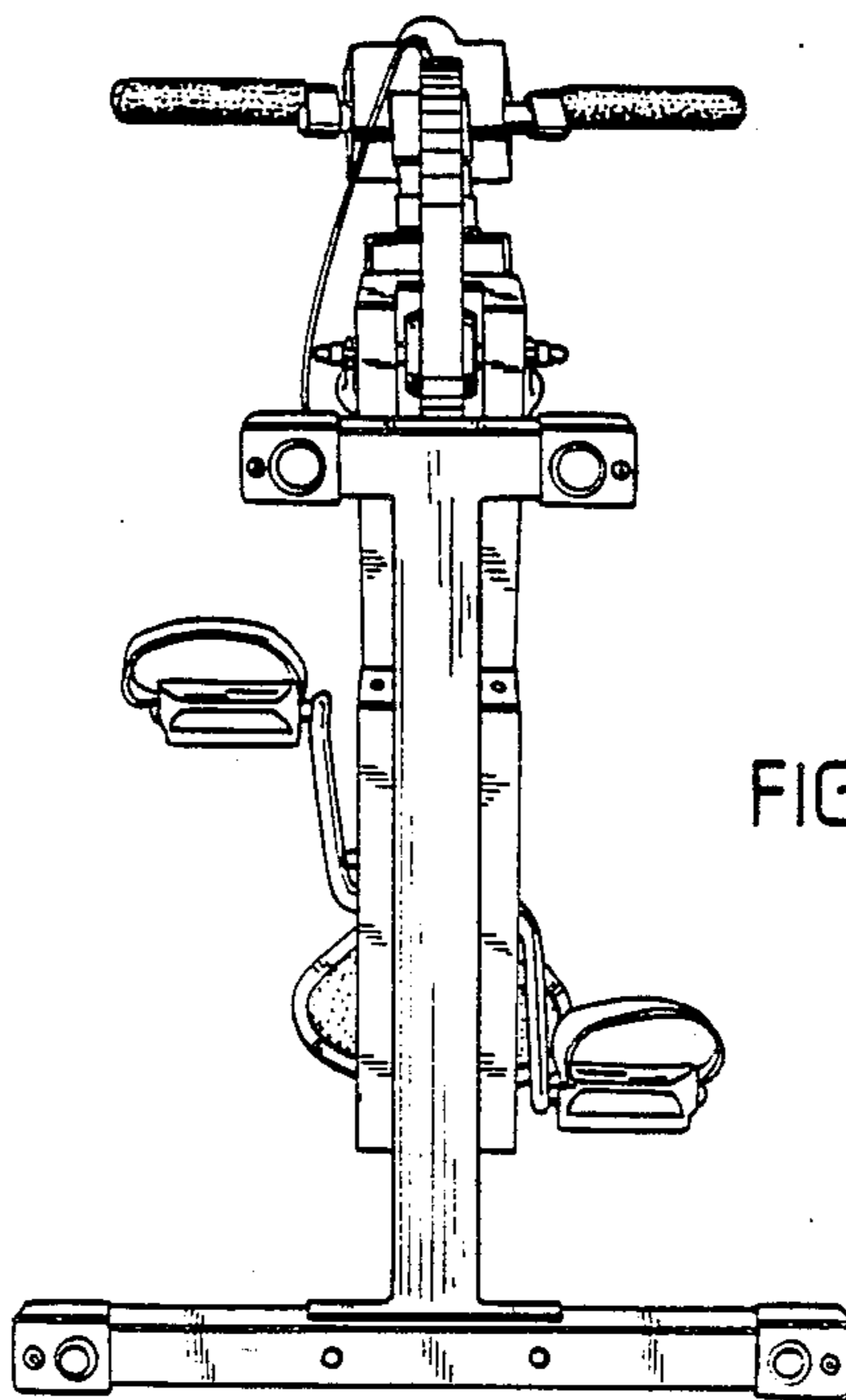


FIG. 7