

[54] TOY ROBOT

[75] Inventor: Mak C. Hang, Hong Kong, Hong Kong

[73] Assignee: F. J. Strauss Co., Inc., North Bergen, N.J.

[**] Term: 14 Years

[21] Appl. No.: 789,460

[22] Filed: Oct. 21, 1985

[52] U.S. Cl. D21/150; D21/155

[58] Field of Search D21/150, 155; 446/71-75, 290-292, 99, 97, 100

[56] References Cited

U.S. PATENT DOCUMENTS

D. 230,490 2/1974 Bass et al. D21/160

OTHER PUBLICATIONS

Playthings, Jun. 1984, p. 43, middle left, Playskool's Alphie II, robot.

Primary Examiner—Melvin B. Feifer
Attorney, Agent, or Firm—William T. Hough

[57] CLAIM

The ornamental design for a toy robot, as shown.

DESCRIPTION

FIG. 1 is a front view of a toy robot, showing my new design;

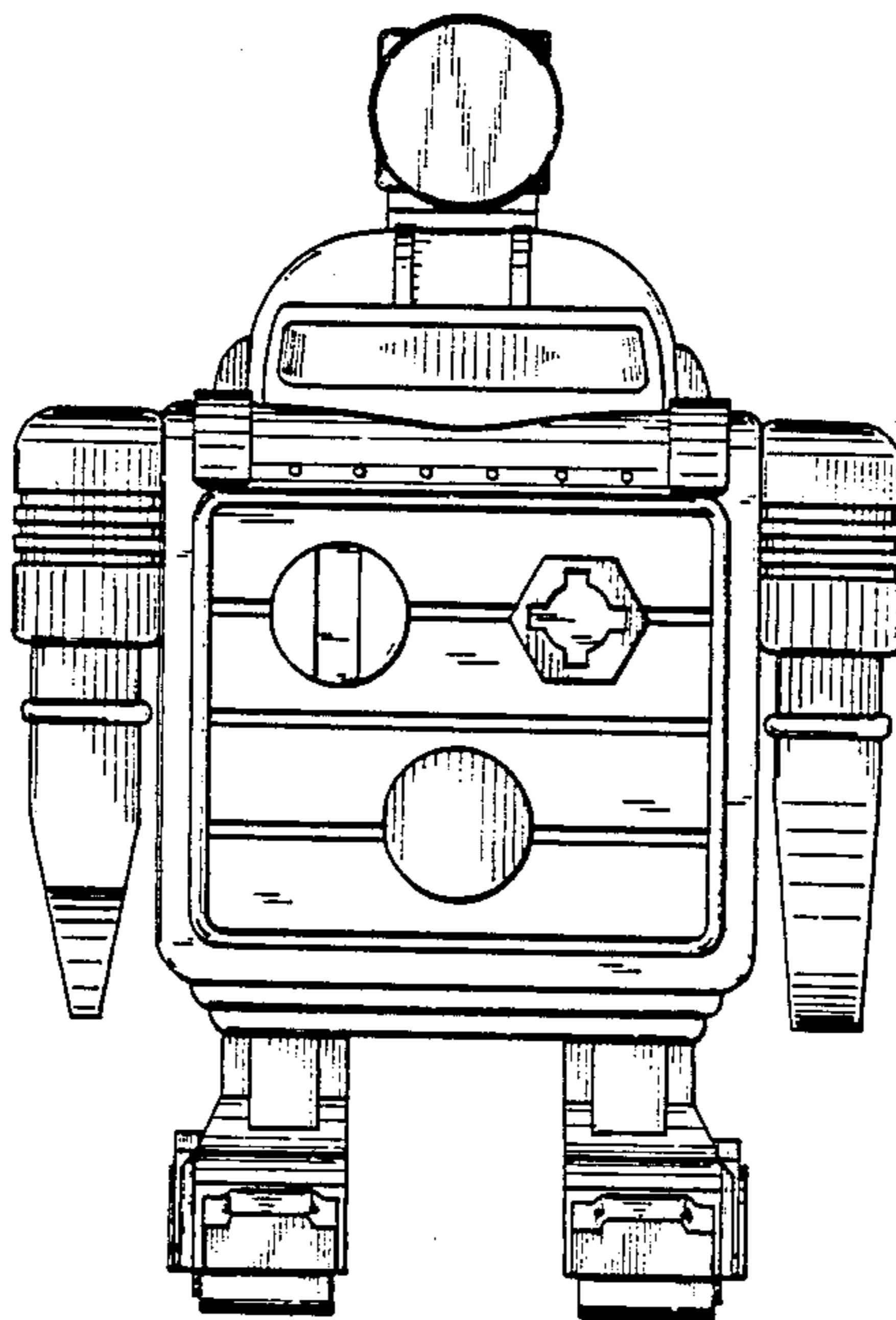
FIG. 2 is a rear view thereof;

FIG. 3 is a side view from the left of FIG. 1;

FIG. 4 is a side view from the right of FIG. 1;

FIG. 5 is a top plan view; and,

FIG. 6 is a bottom plan view.



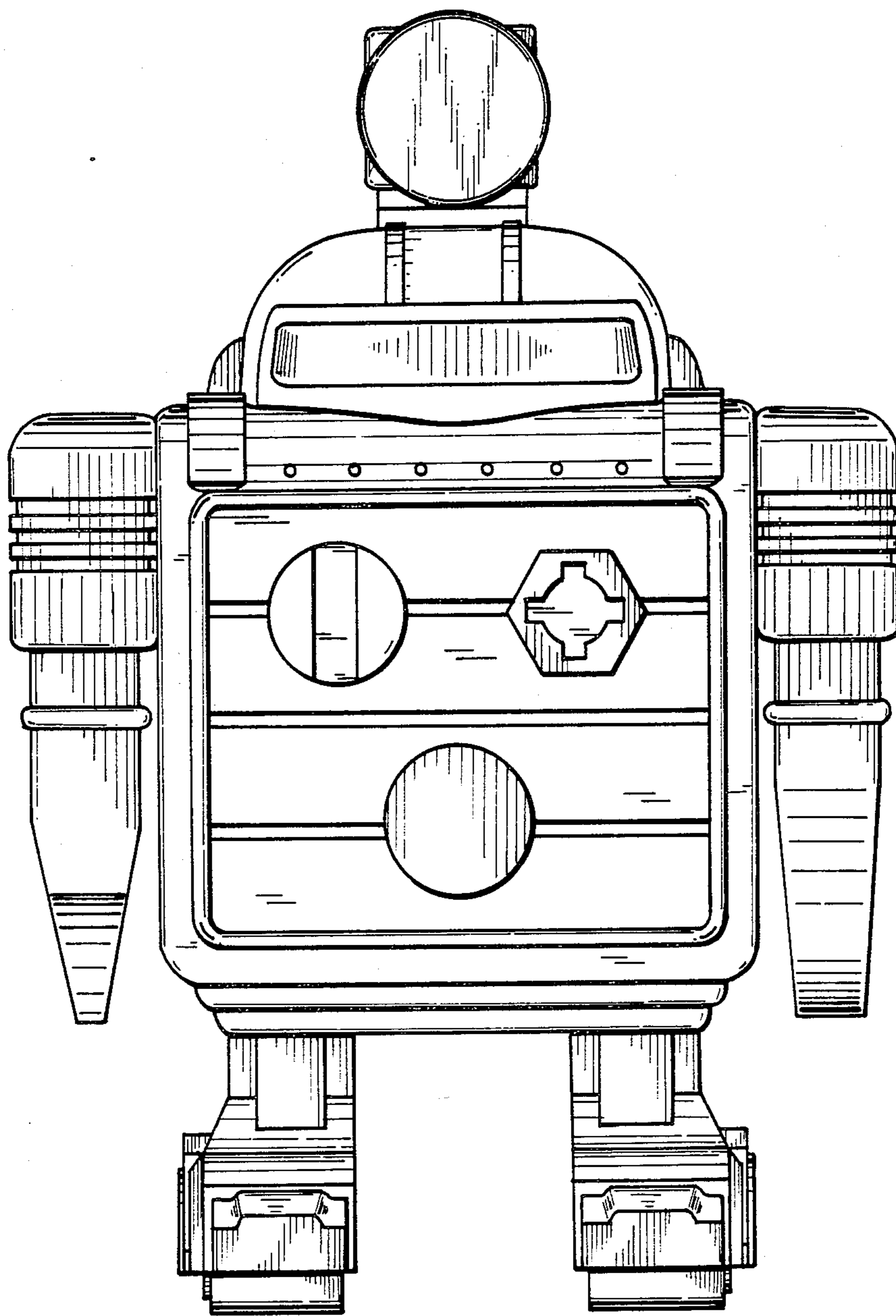


FIG. 1

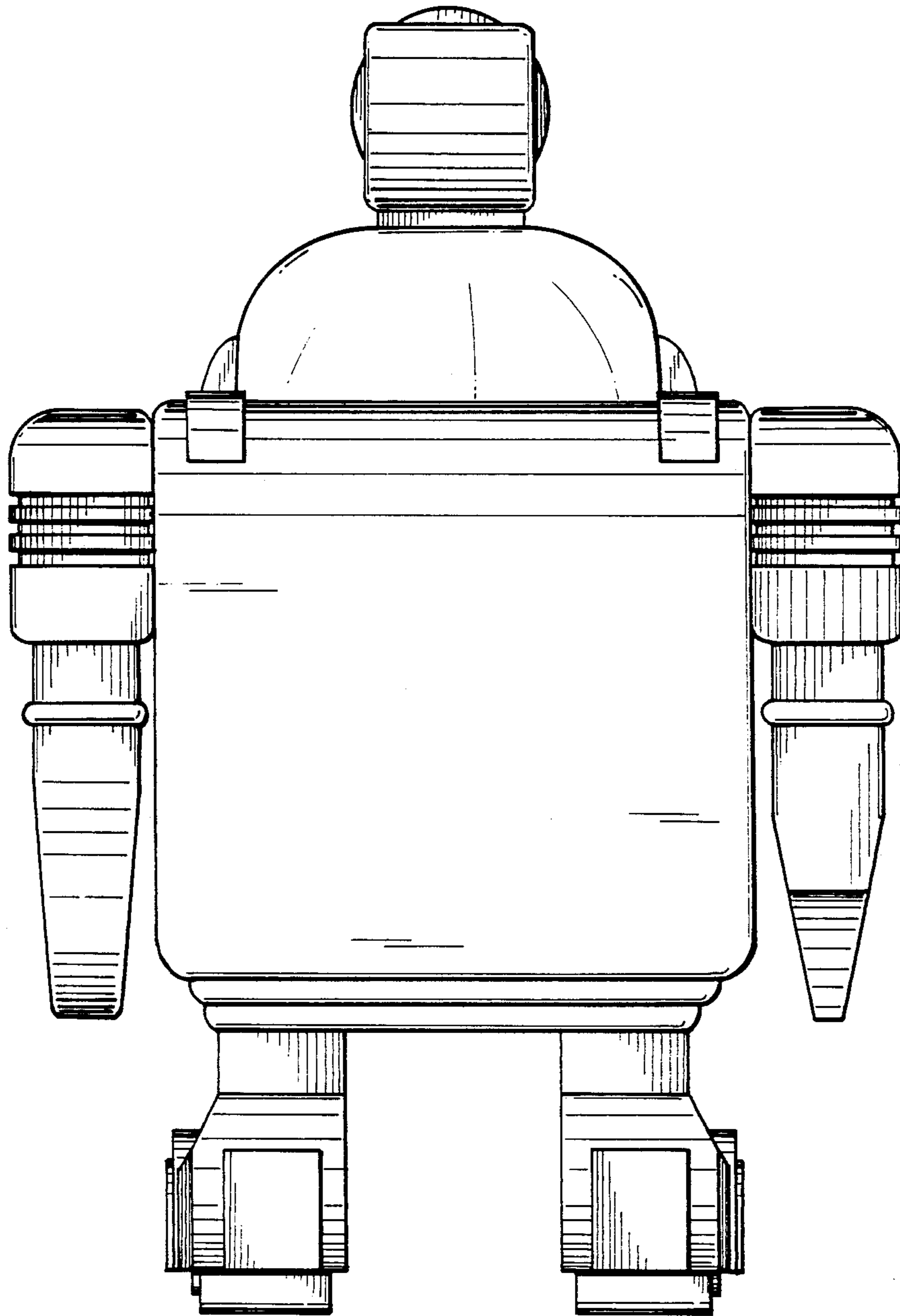


FIG. 2

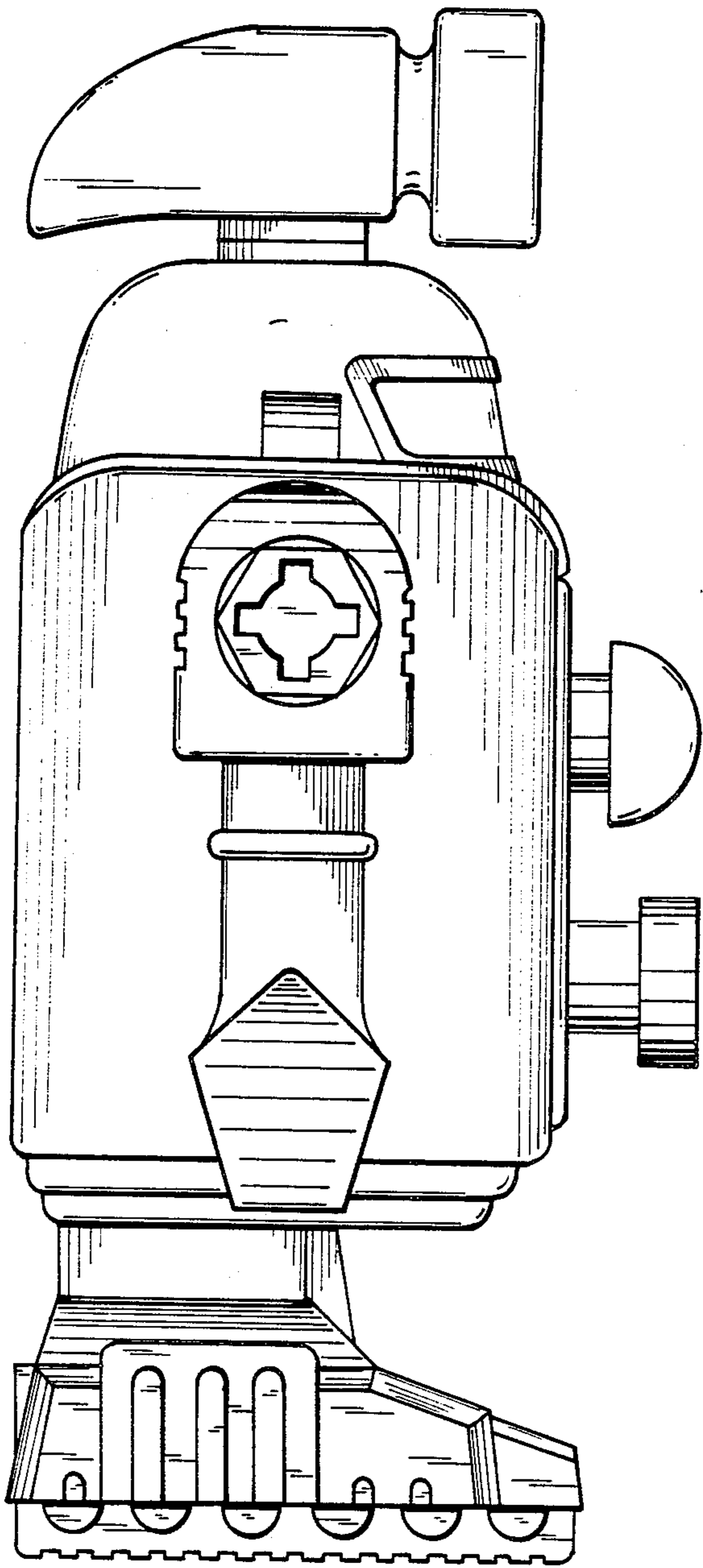


FIG. 3

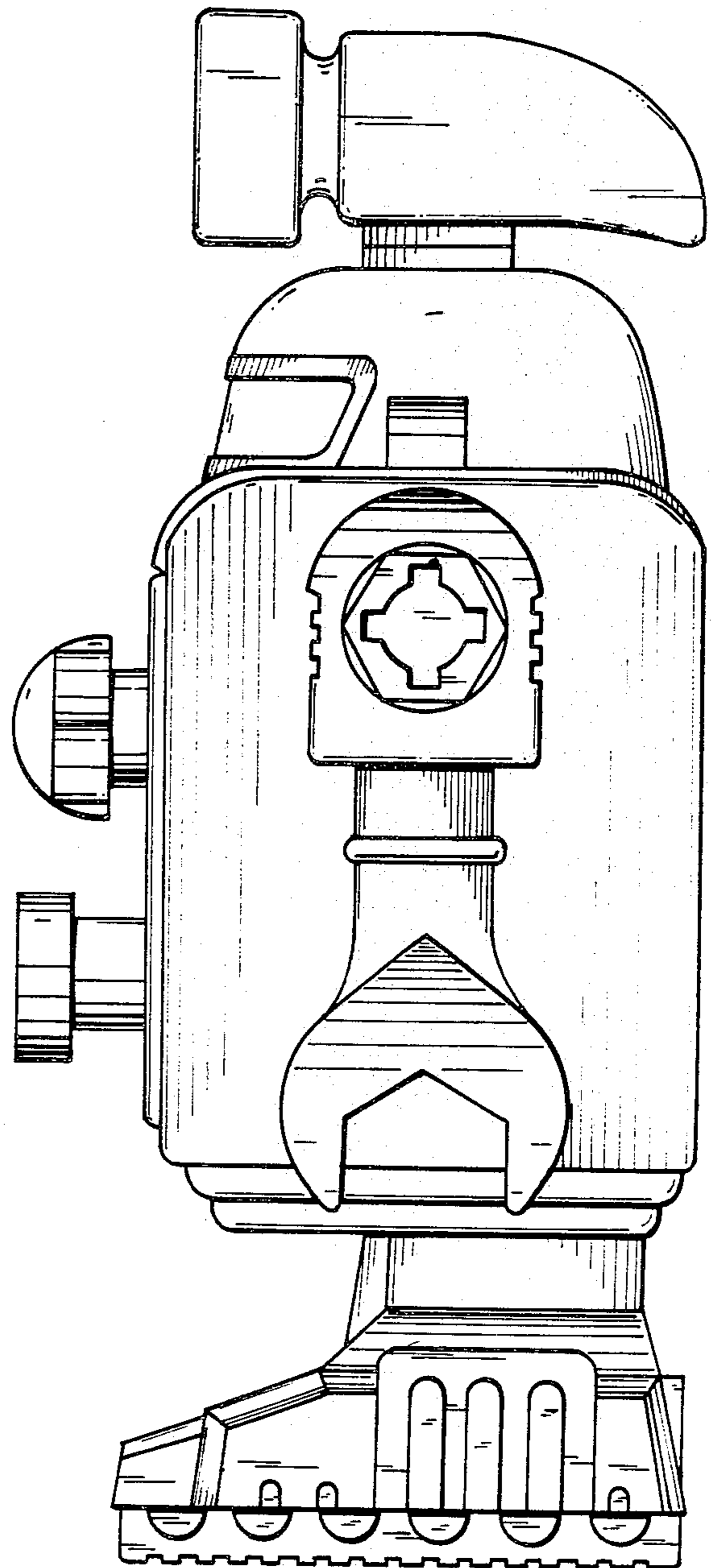


FIG. 4

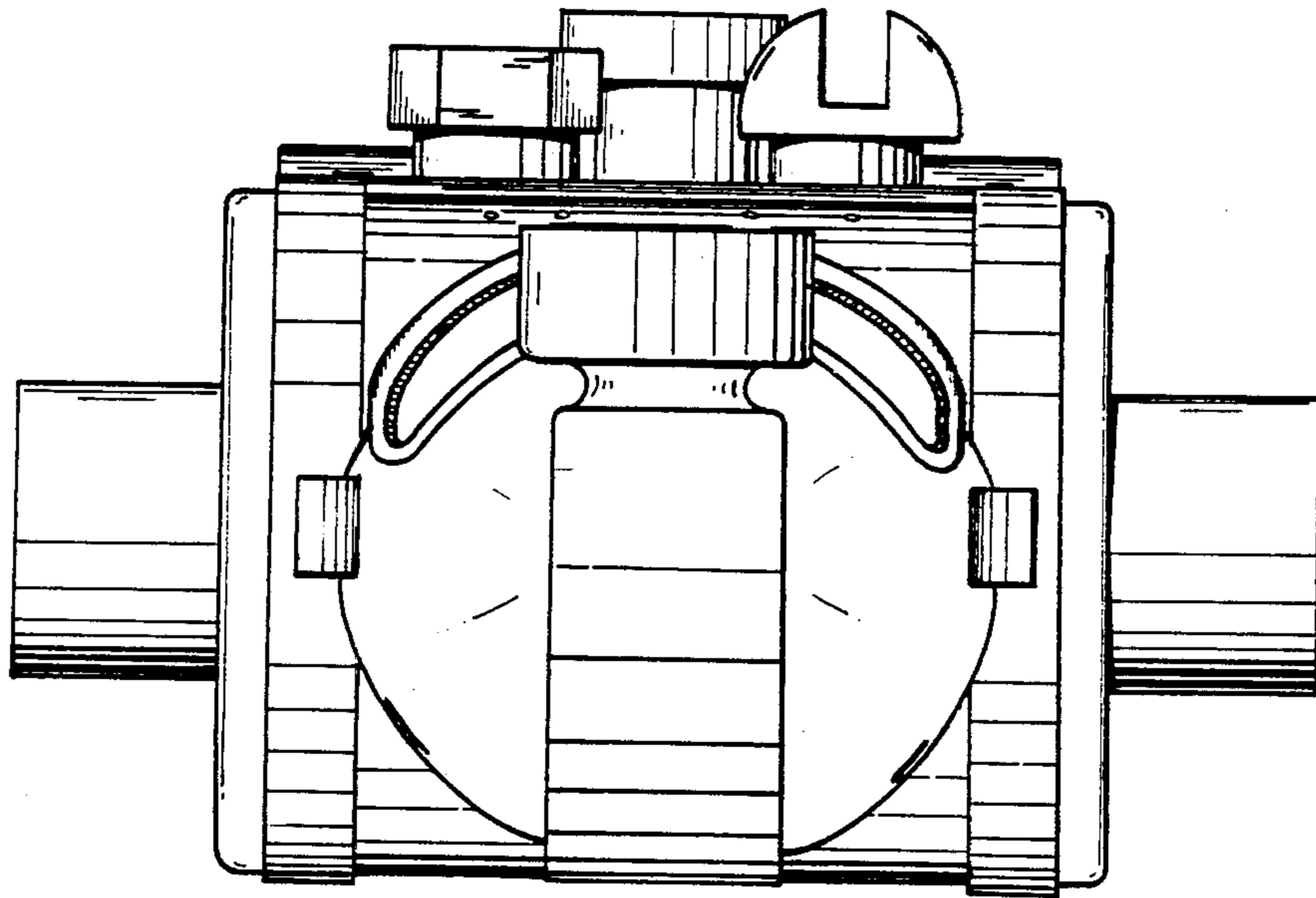


FIG. 5

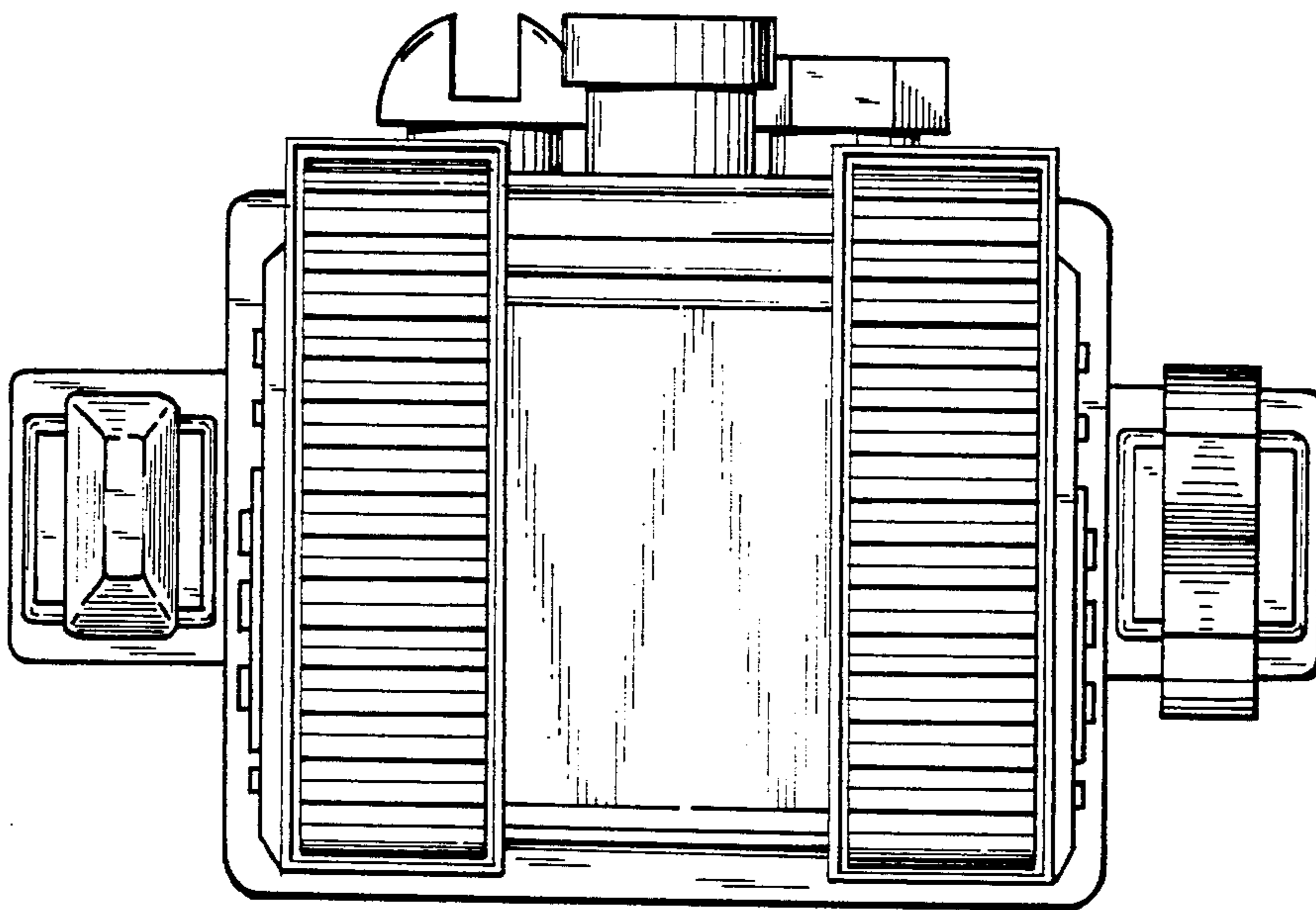


FIG. 6