

[54] TOY PIANO

[75] Inventor: Gary G. Lenihan, Orchard Park,  
N.Y.

[73] Assignee: The Quaker Oats Company, Chicago,  
Ill.

[\*\*] Term: 14 Years

[21] Appl. No.: 794,068

[22] Filed: Nov. 1, 1985

[52] U.S. Cl. .... D21/64; D17/1

[58] Field of Search ..... D21/59, 64, 109, 121;  
D17/1.5; 446/397, 408, 418, 419, 420, 421, 491

[56] References Cited

U.S. PATENT DOCUMENTS

D. 151,005 9/1948 Rhodes ..... D17/7  
D. 182,338 3/1958 Millington et al. .... D17/7  
D. 255,370 6/1980 Hayama et al. .... D21/64  
D. 258,899 4/1981 Hayama et al. .... D21/64

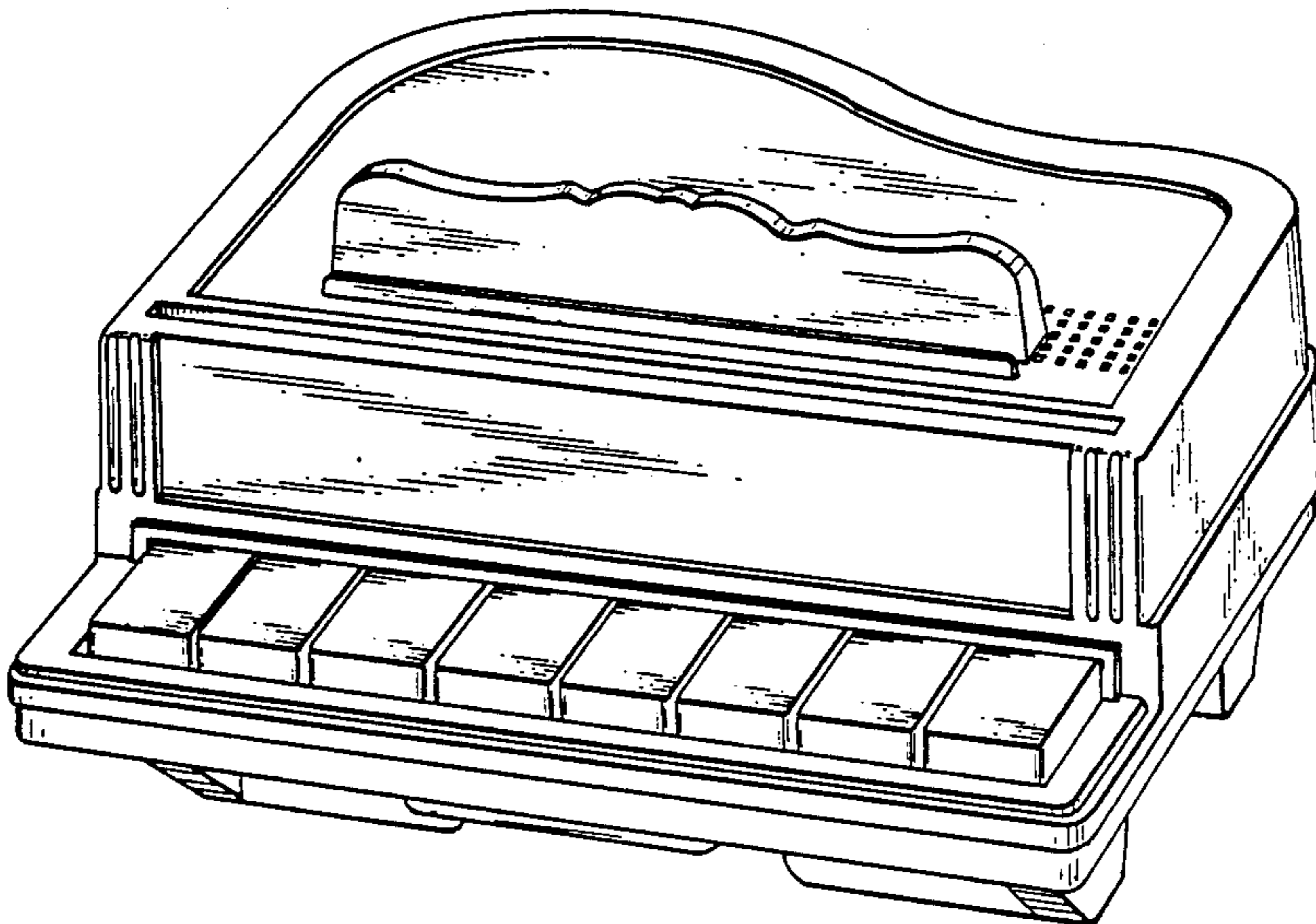
*Primary Examiner*—Charles A. Rademaker  
*Attorney, Agent, or Firm*—Cumpston & Shaw

[57] CLAIM

The ornamental design for a toy piano, substantially as shown and described.

DESCRIPTION

FIG. 1 is a perspective view of a toy piano showing my new design;  
FIG. 2 is a left-side elevational view thereof, the right side being substantially a mirror image;  
FIG. 3 is a rear elevational view thereof; and  
FIG. 4 is a bottom plan view thereof.



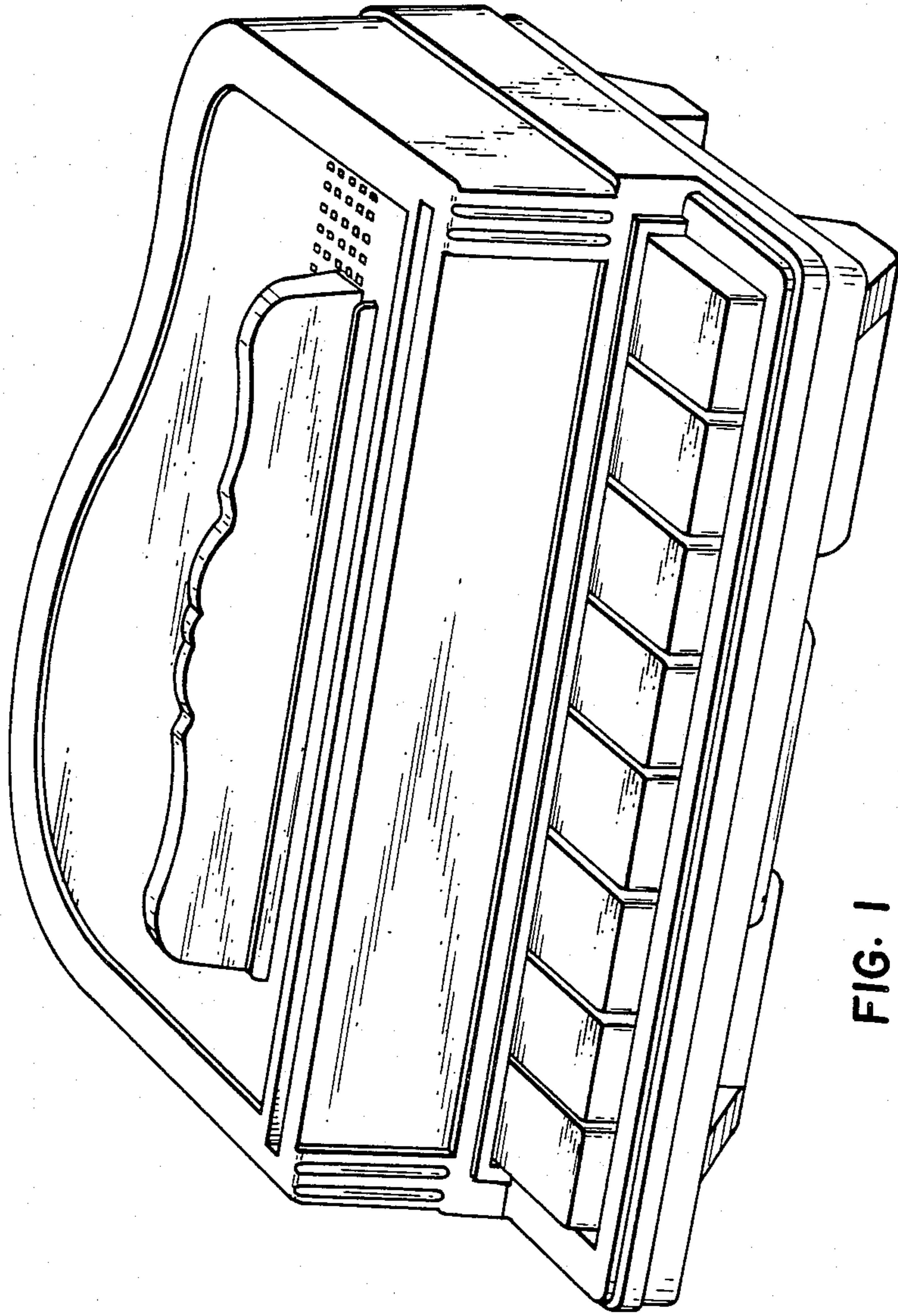


FIG. 1

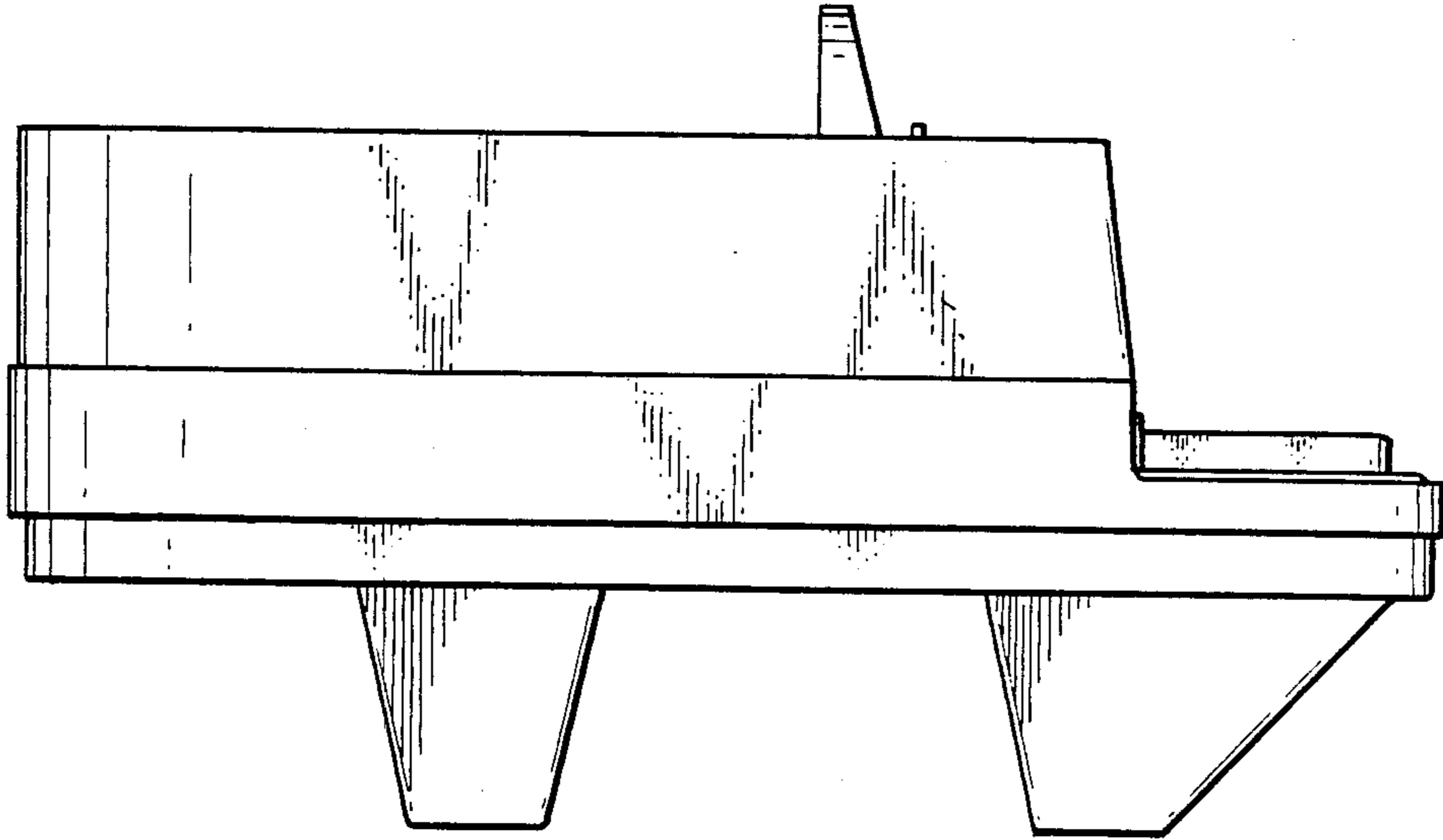


FIG. 2

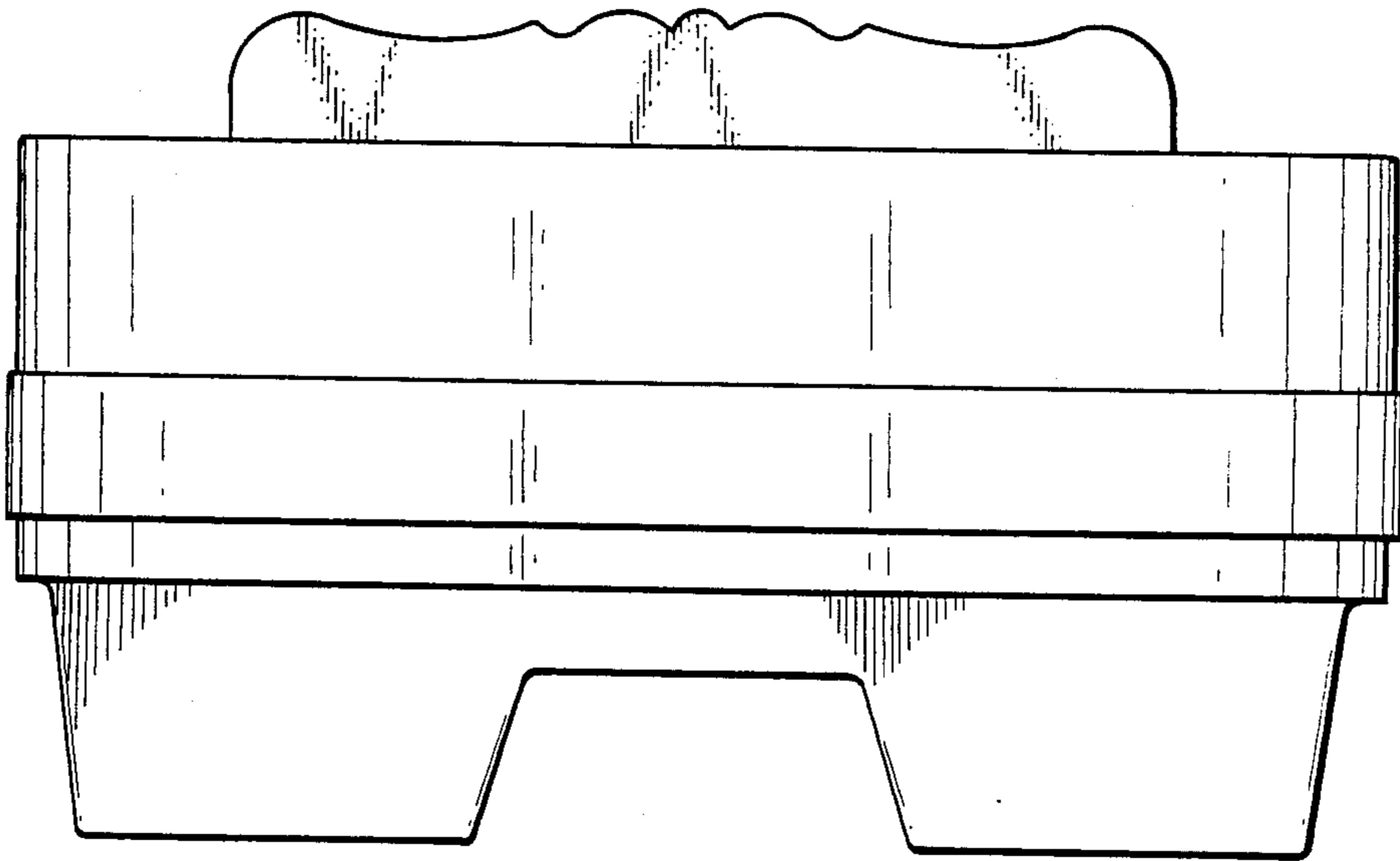


FIG. 3

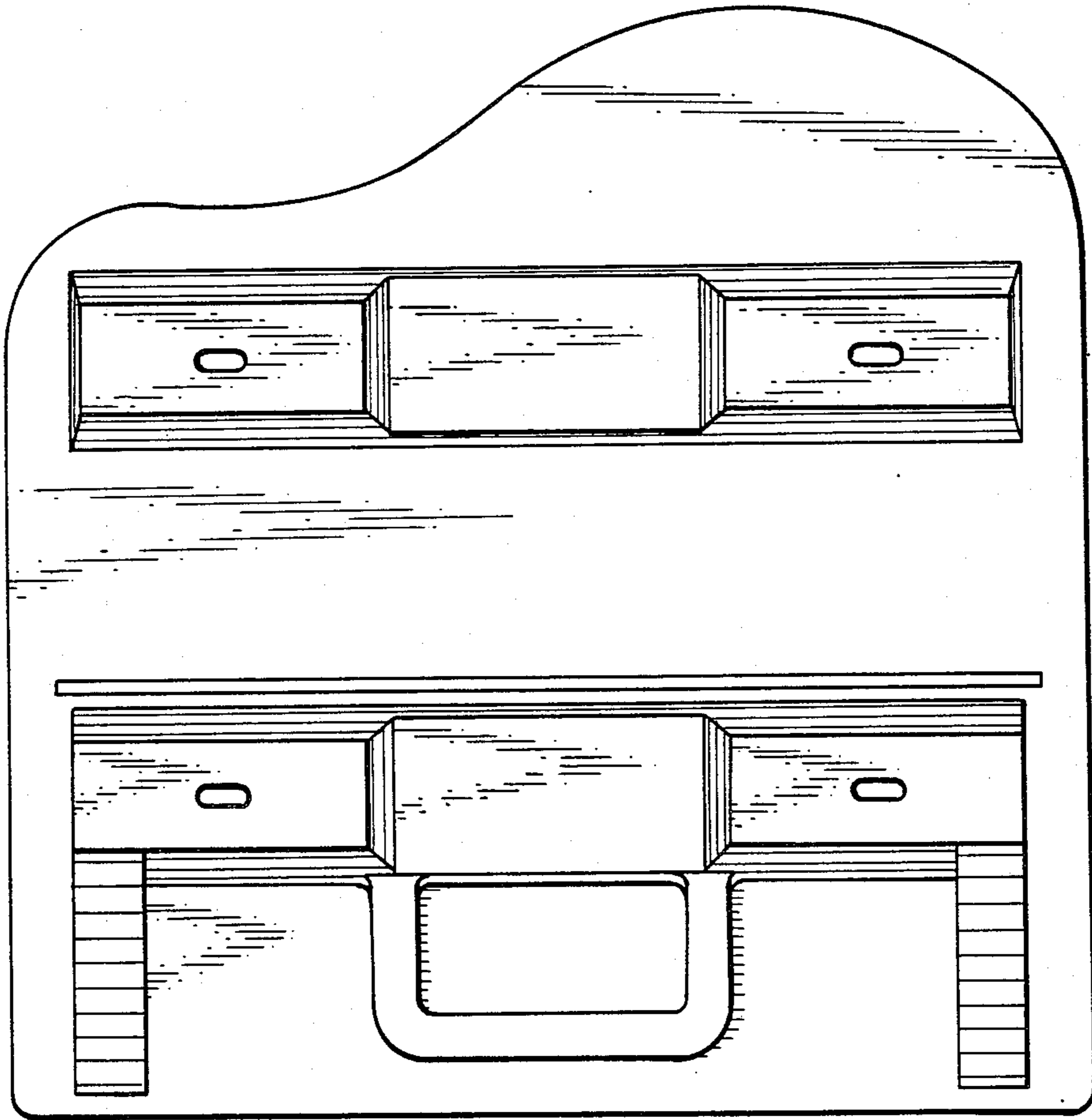


FIG. 4