

[54] SINGLE PEN DESK SET

[75] Inventor: Akira Mimaki, Tokyo, Japan

[73] Assignee: Parker Pen Ltd., East Sussex, England

[**] Term: 14 Years

[21] Appl. No.: 708,724

[22] Filed: Mar. 6, 1985

[30] Foreign Application Priority Data

Sep. 19, 1984 [JP] Japan 59-39014

[52] U.S. Cl. D19/75; D19/49; D19/84

[58] Field of Search D19/23, 75, 77-85, D19/49; 211/69.5-69.7

[56] References Cited

U.S. PATENT DOCUMENTS

D. 205,022 6/1966 Boss D19/49

D. 219,758	1/1971	Fauth	D19/84
D. 263,154	2/1982	Laughlin	D19/85
D. 273,017	3/1984	Bertrac	D19/49
D. 287,736	1/1987	Henkels	D19/49

OTHER PUBLICATIONS

Sheaffers Decorator Design Desk Sets, ©1961, p. 7.

Primary Examiner—George P. Word

Attorney, Agent, or Firm—Edmond T. Patnaude

[57] CLAIM

The ornamental design for a single pen desk set, substantially as shown and described.

DESCRIPTION

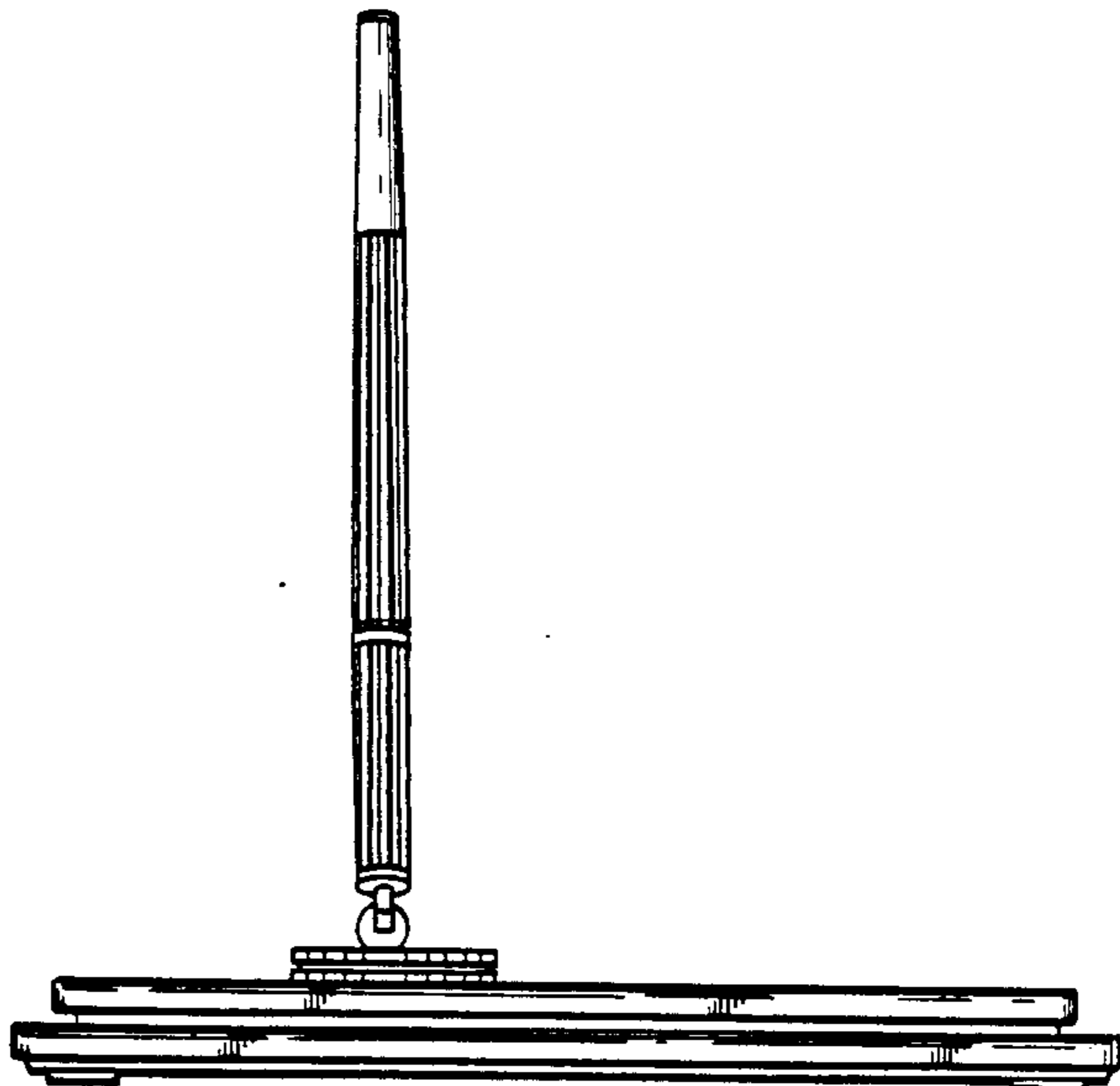
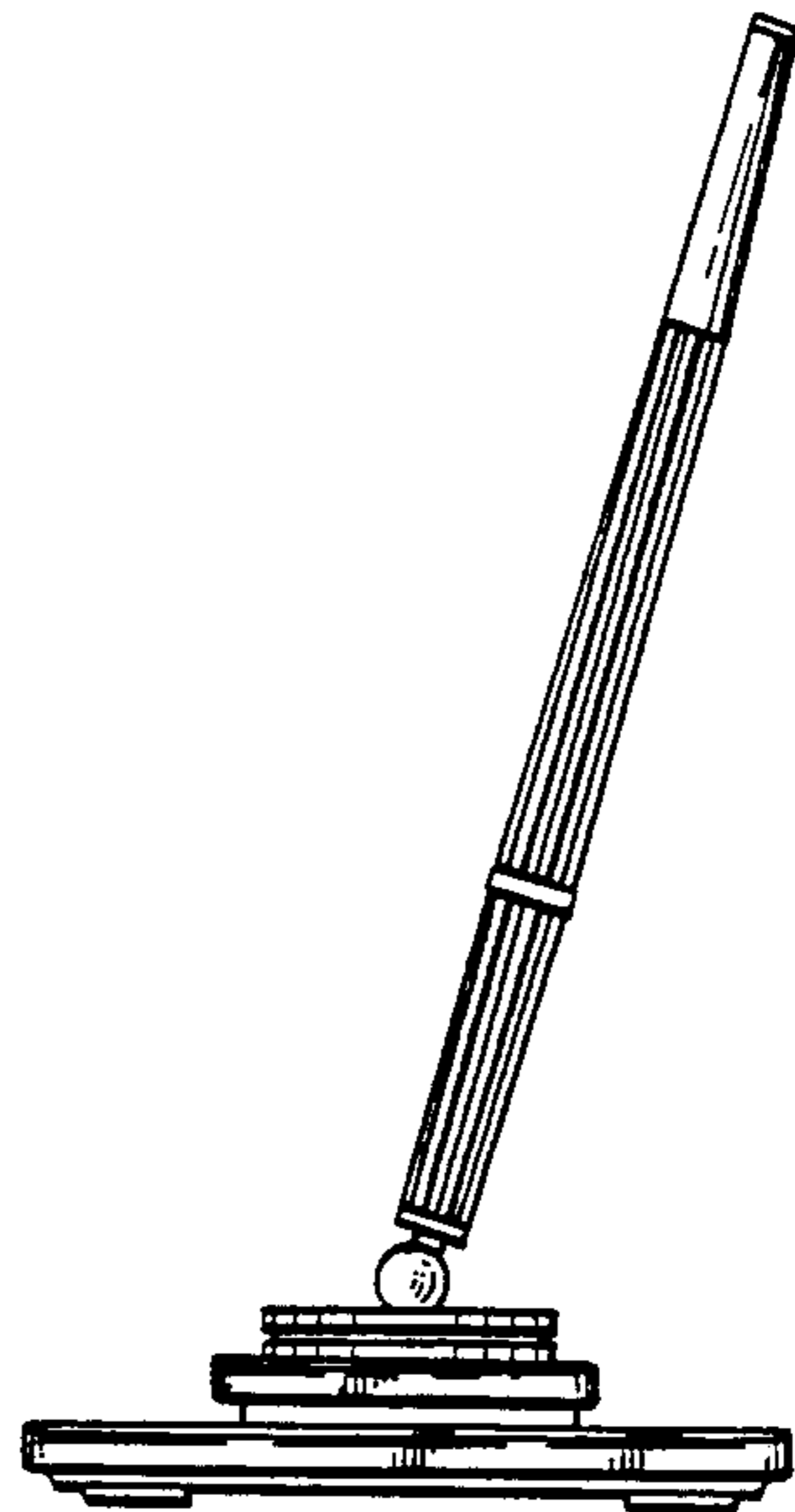
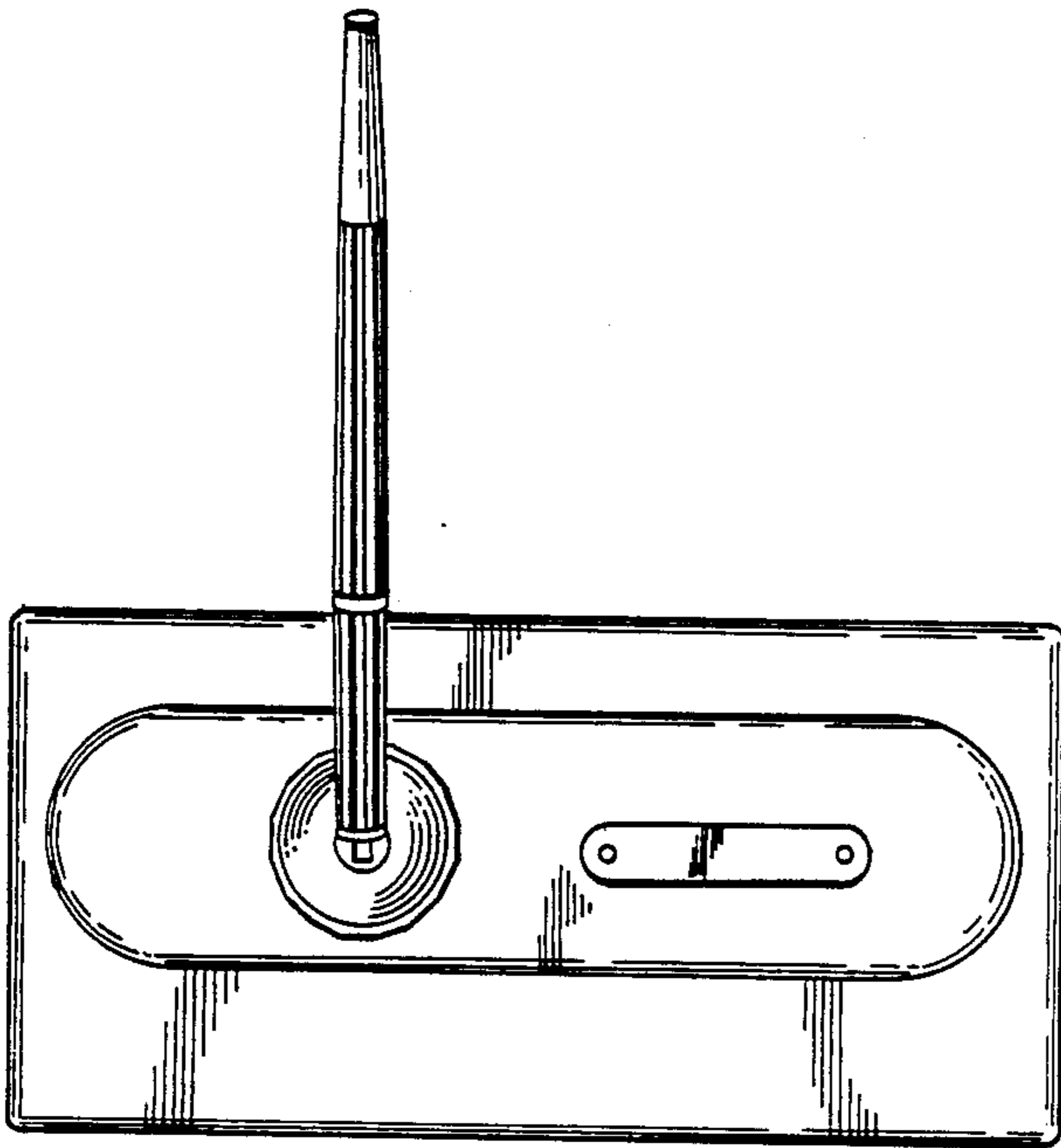
FIG. 1 is a perspective view of a single pen desk set showing my new design;

FIG. 2 is a top plan view thereof;

FIG. 3 is a front elevational view thereof;

FIG. 4 is a rear elevational view thereof; and

FIG. 5 is a right side elevational view thereof, the left side being a mirror image thereof.



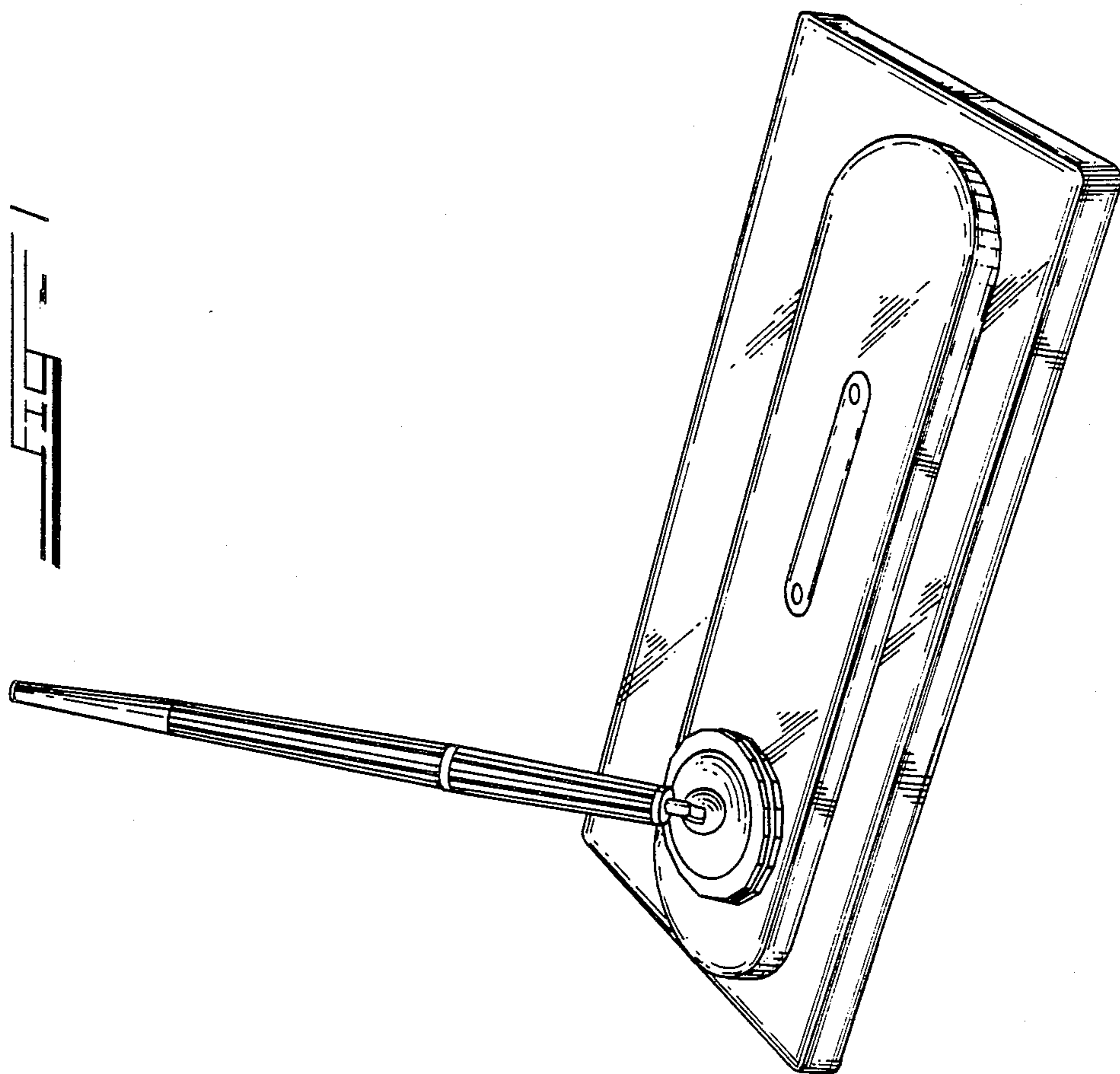
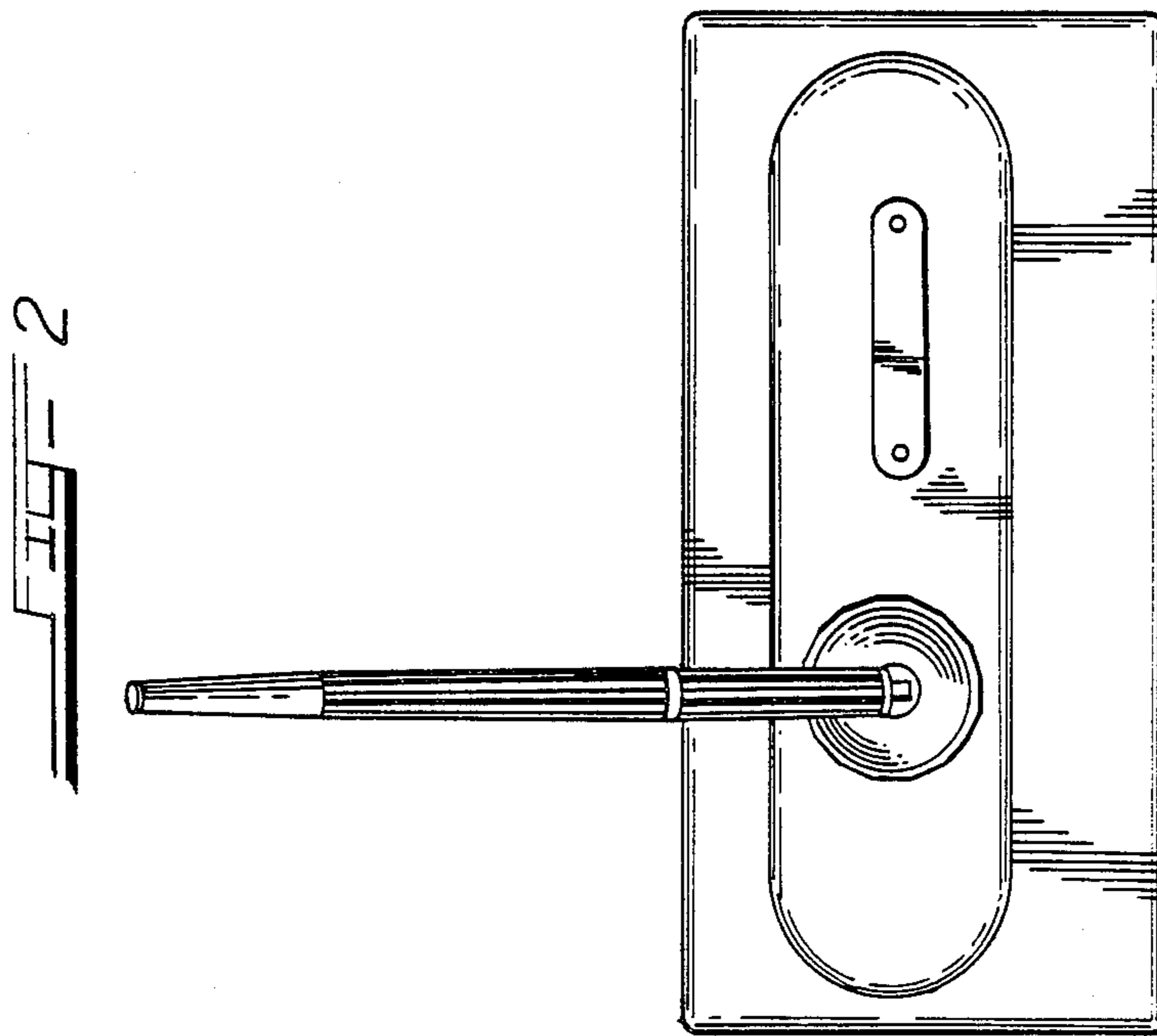


FIG - 5

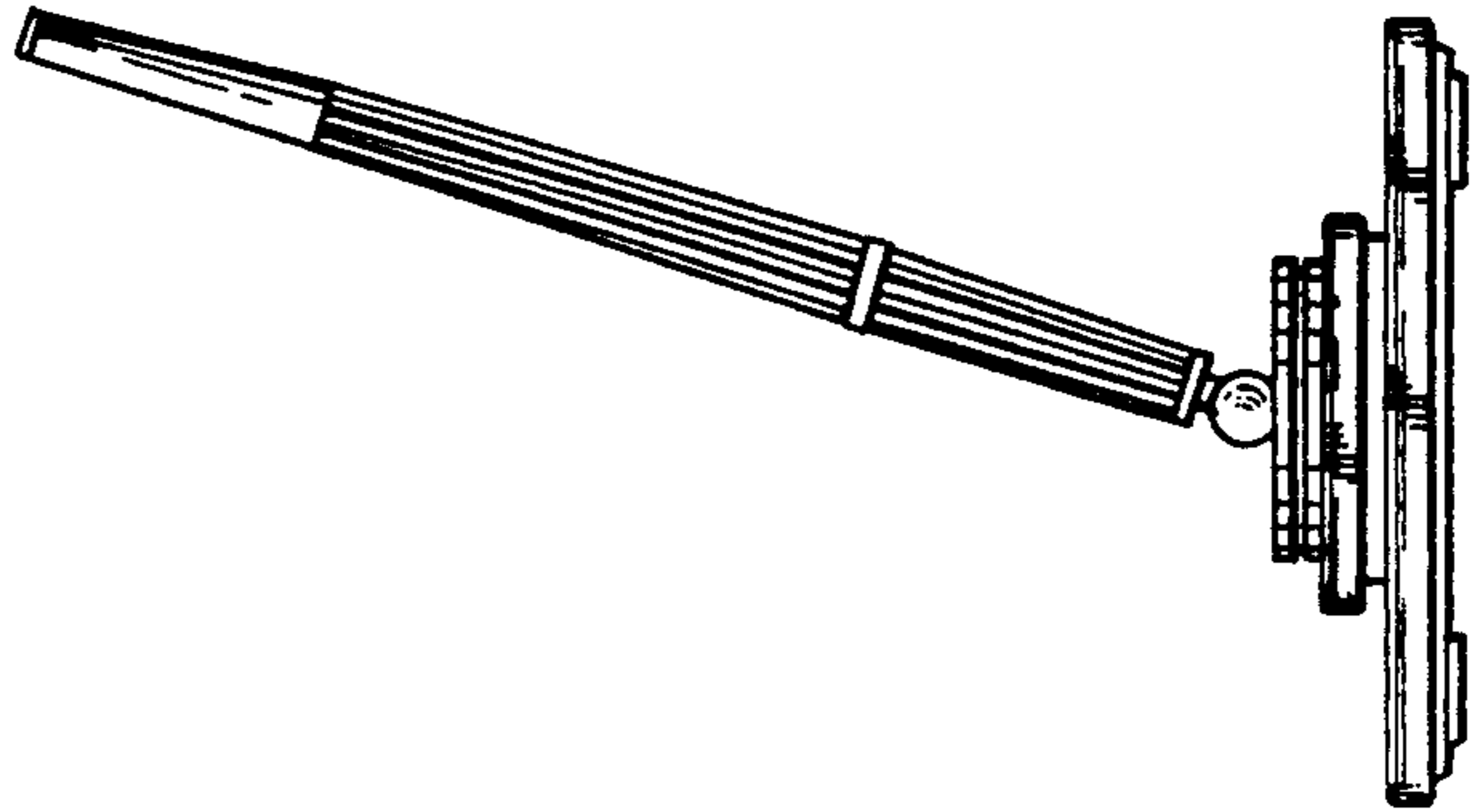


FIG - 4

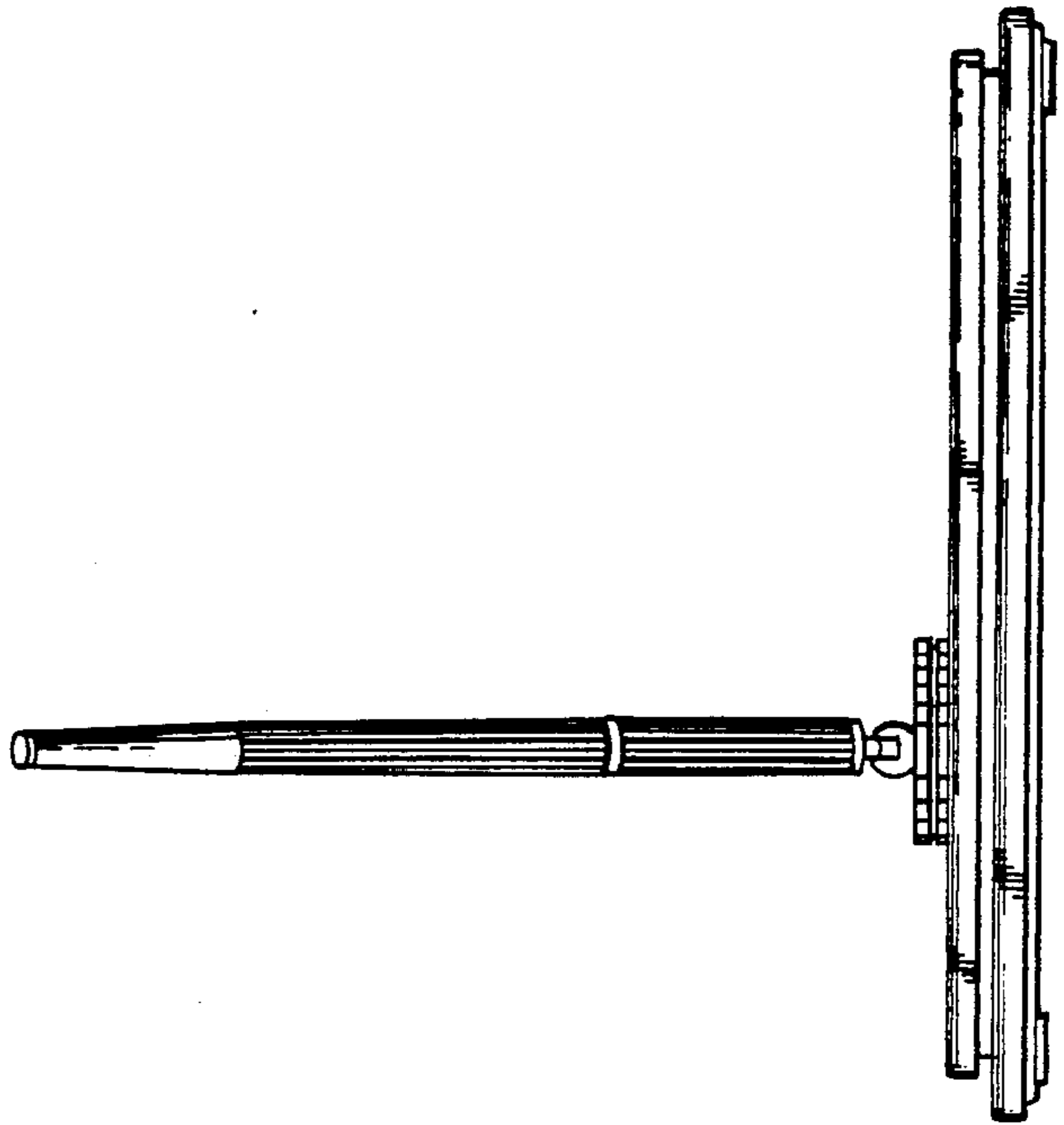


FIG - 3

