

[54] **BELT JOINTING DEVICE**

[75] **Inventor: Peter J. N. Harvey, Swanpool, England**

[73] **Assignee: J. H. Fenner & Co. Limited, Hull, England**

[**] **Term: 14 Years**

[21] **Appl. No.: 694,789**

[22] **Filed: Jan. 25, 1985**

[30] **Foreign Application Priority Data**
Jul. 28, 1984 [GB] United Kingdom 1021181
[52] **U.S. Cl. D15/138**
[58] **Field of Search D15/138-141;**
156/502, 137; 24/31 R, 31 B, 31 C, 31 F, 37;
160/382, 391

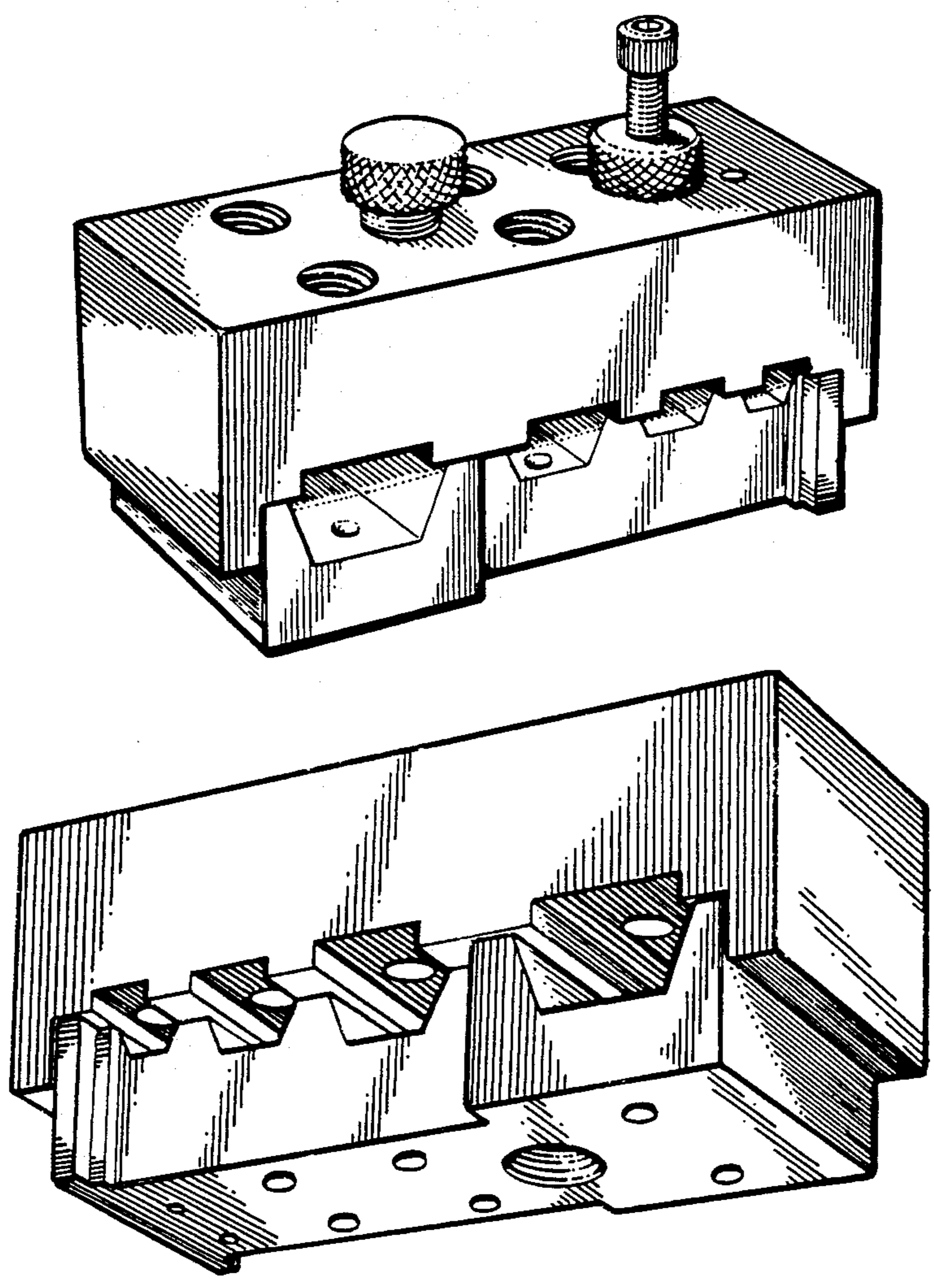
[56] **References Cited**
U.S. PATENT DOCUMENTS
307,490 11/1884 Norris 24/31 F
1,970,409 8/1934 Wiedemann D8/29
4,617,716 10/1986 Lay et al. 24/31 B

FOREIGN PATENT DOCUMENTS
58652 5/1983 Japan 24/31 R

Primary Examiner—Wallace R. Burke
Assistant Examiner—Ruth Takemoto
Attorney, Agent, or Firm—Gipple & Hale

[57] **CLAIM**
The ornamental design for a belt jointing device, as shown.

DESCRIPTION
FIG. 1 is a top, front and side perspective view of belt jointing device showing my new design;
FIG. 2 is a top, rear and side perspective view thereof;
FIG. 3 is a bottom, rear and side perspective view thereof; and
FIG. 4 is a side elevational view thereof, the opposite side being a mirror image.



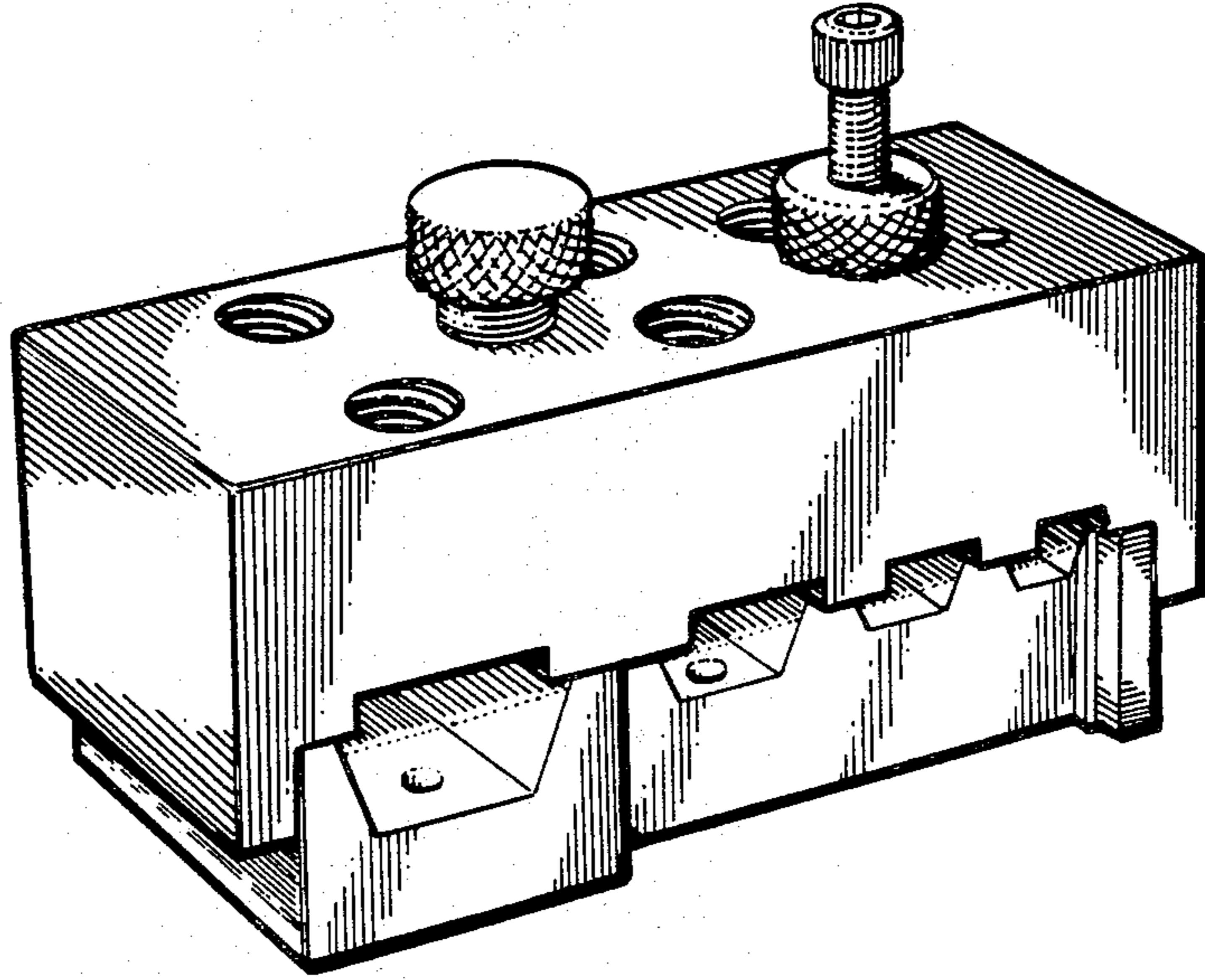


Fig 1

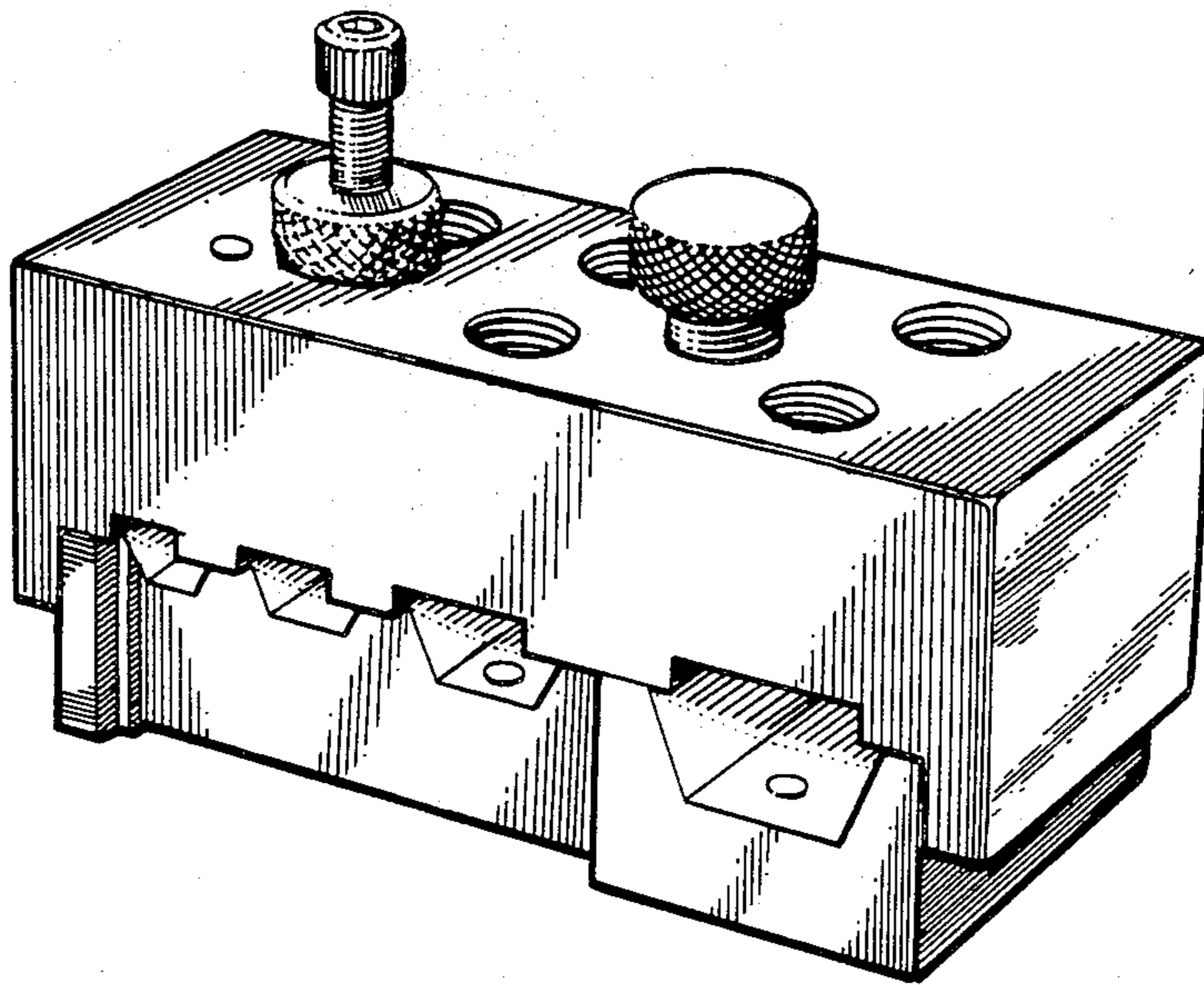


Fig 2

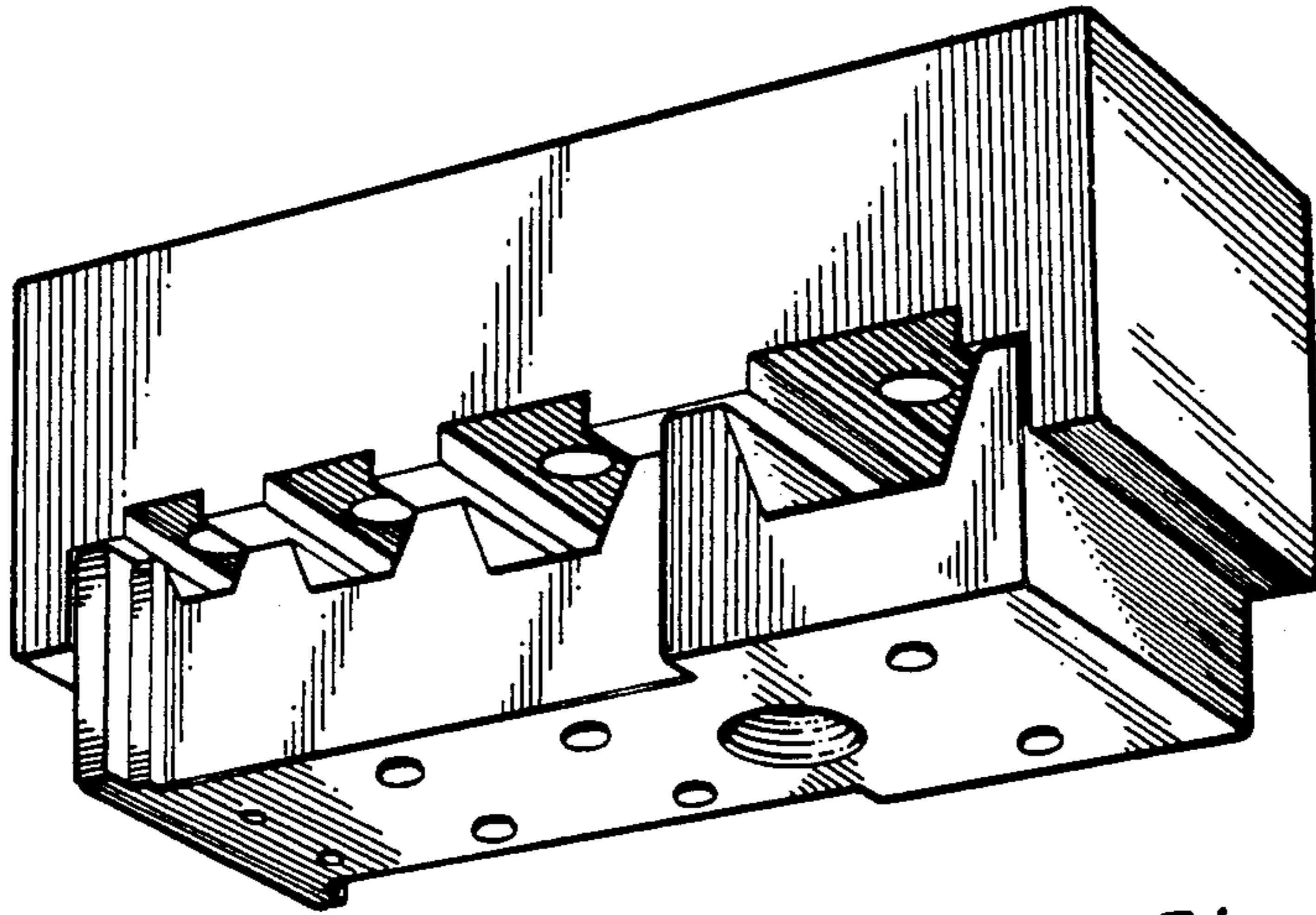


Fig 3.

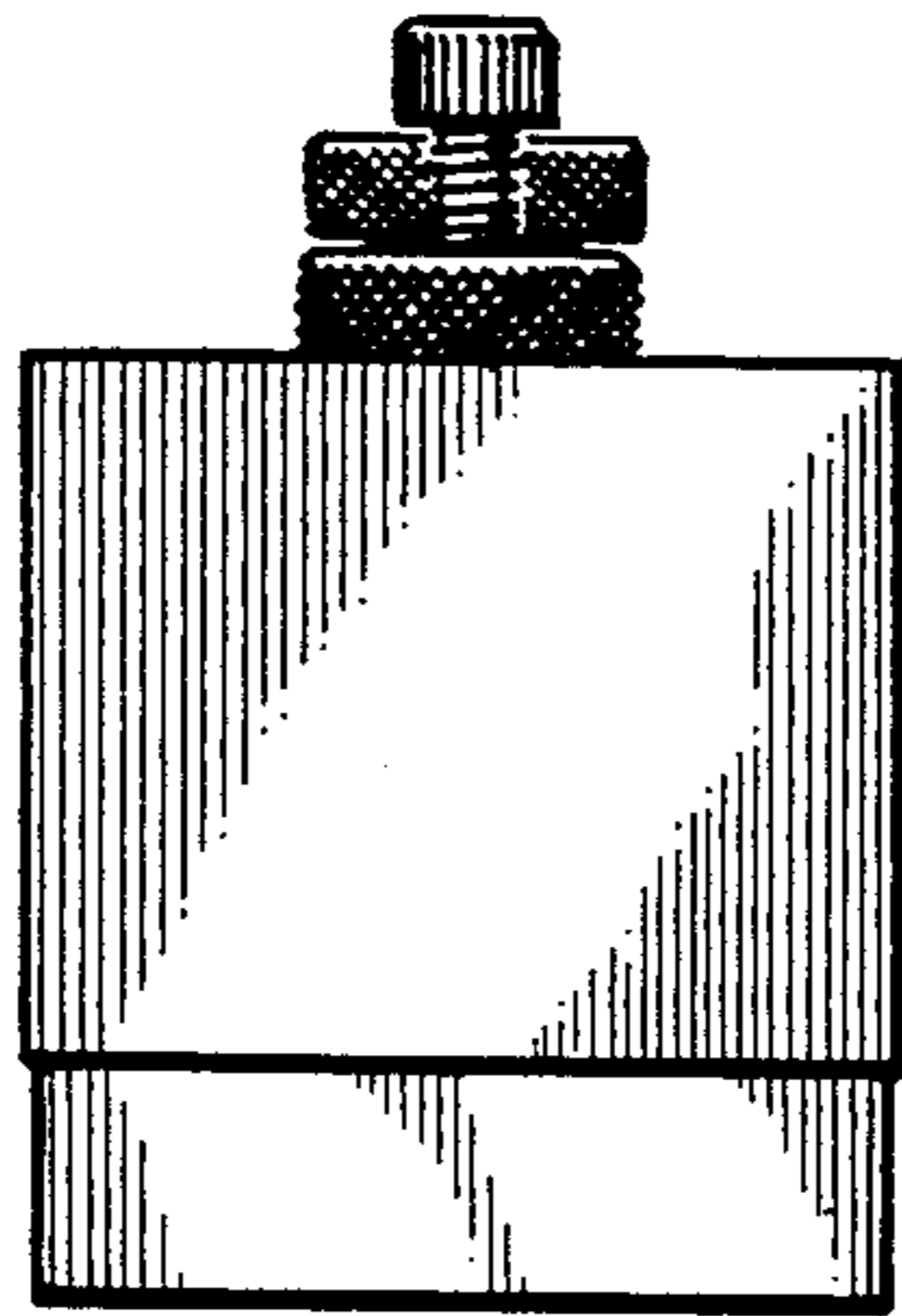


Fig 4.