

[54] AIR COMPRESSOR

[75] Inventor: Frederick M. Morgan, Toledo, Ohio

[73] Assignee: Champion Spark Plug Company, Toledo, Ohio

[**] Term: 14 Years

[21] Appl. No.: 922,450

[22] Filed: Oct. 22, 1986

[52] U.S. Cl. D15/9

[58] Field of Search D15/7, 9; D23/2; 417/231, 233, 234

[56] References Cited

U.S. PATENT DOCUMENTS

D. 231,226	4/1974	Monroe	D23/2
D. 273,011	3/1984	Dudley	D15/9
D. 273,493	4/1984	Vitaloni	D15/9
4,077,747	3/1978	Burenza	417/234

OTHER PUBLICATIONS

Grainger's Catalogue No. 338, Spring 1974, p. 353, 1 hp. Twin-Cylinder Vacuum Outfit.

Primary Examiner—Wallace R. Burke

Assistant Examiner—Brian N. Vinson

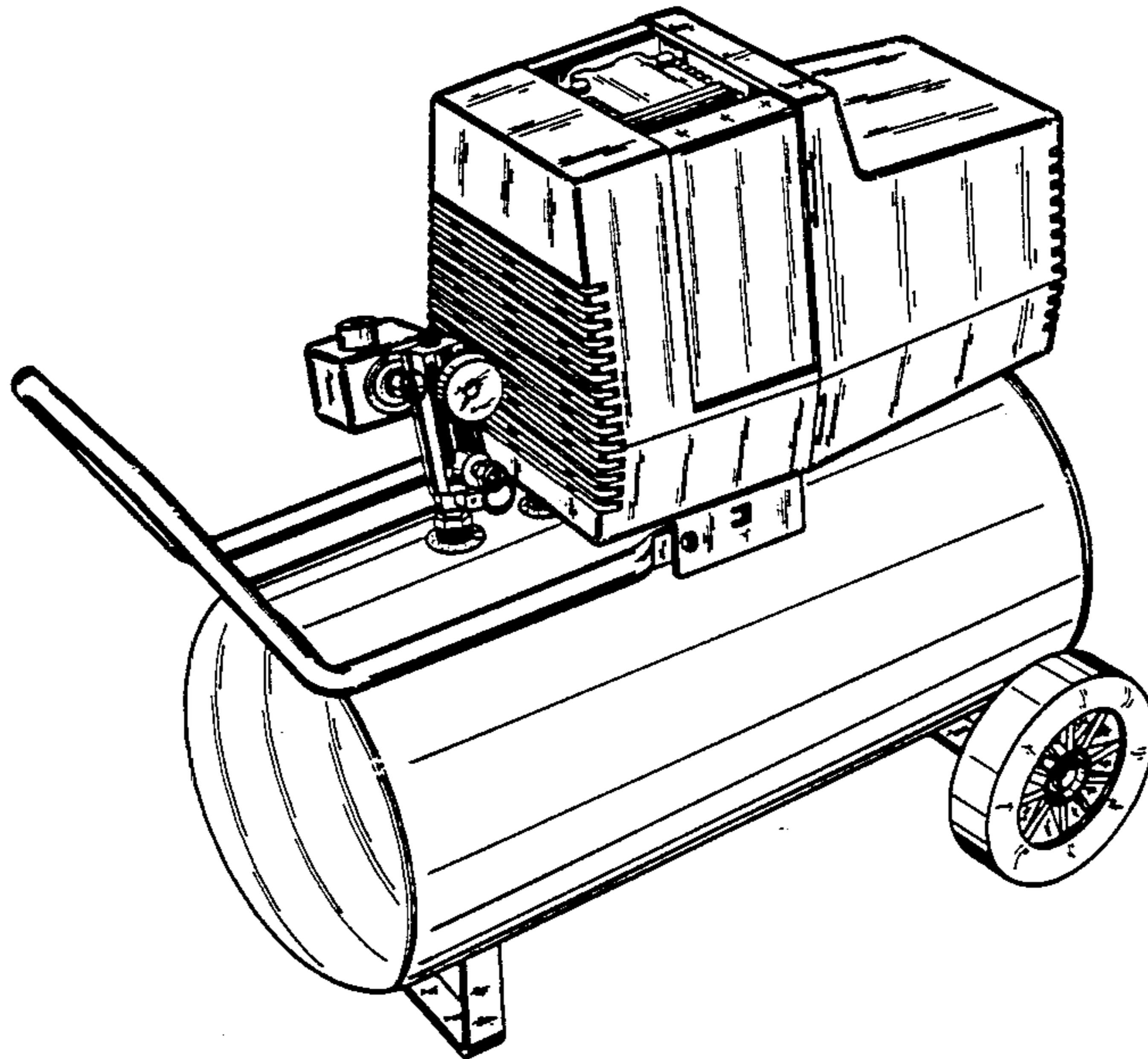
Attorney, Agent, or Firm—MacMillan, Sobanski & Todd

[57] CLAIM

The ornamental design for an air compressor, as shown and described.

DESCRIPTION

FIG. 1 is a left, front perspective view of an air compressor showing my new design;
 FIG. 2 is a right, front perspective view thereof;
 FIG. 3 is a lower rear perspective view of FIG. 1;
 FIG. 4 is a rear perspective view of FIG. 2;
 FIG. 5 is a rear perspective view of FIG. 1; and
 FIG. 6 is a lower right front perspective view of FIG. 1.



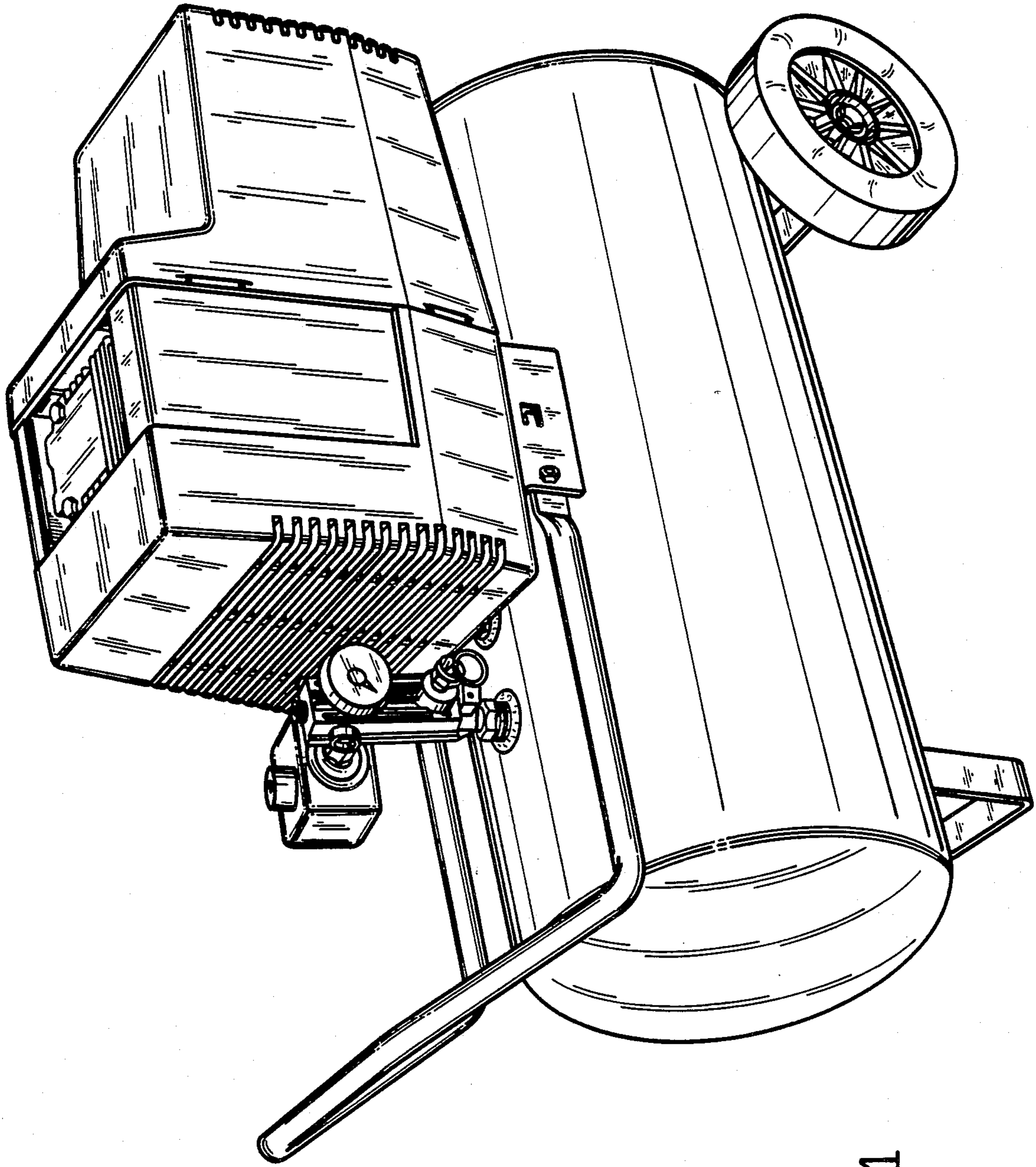
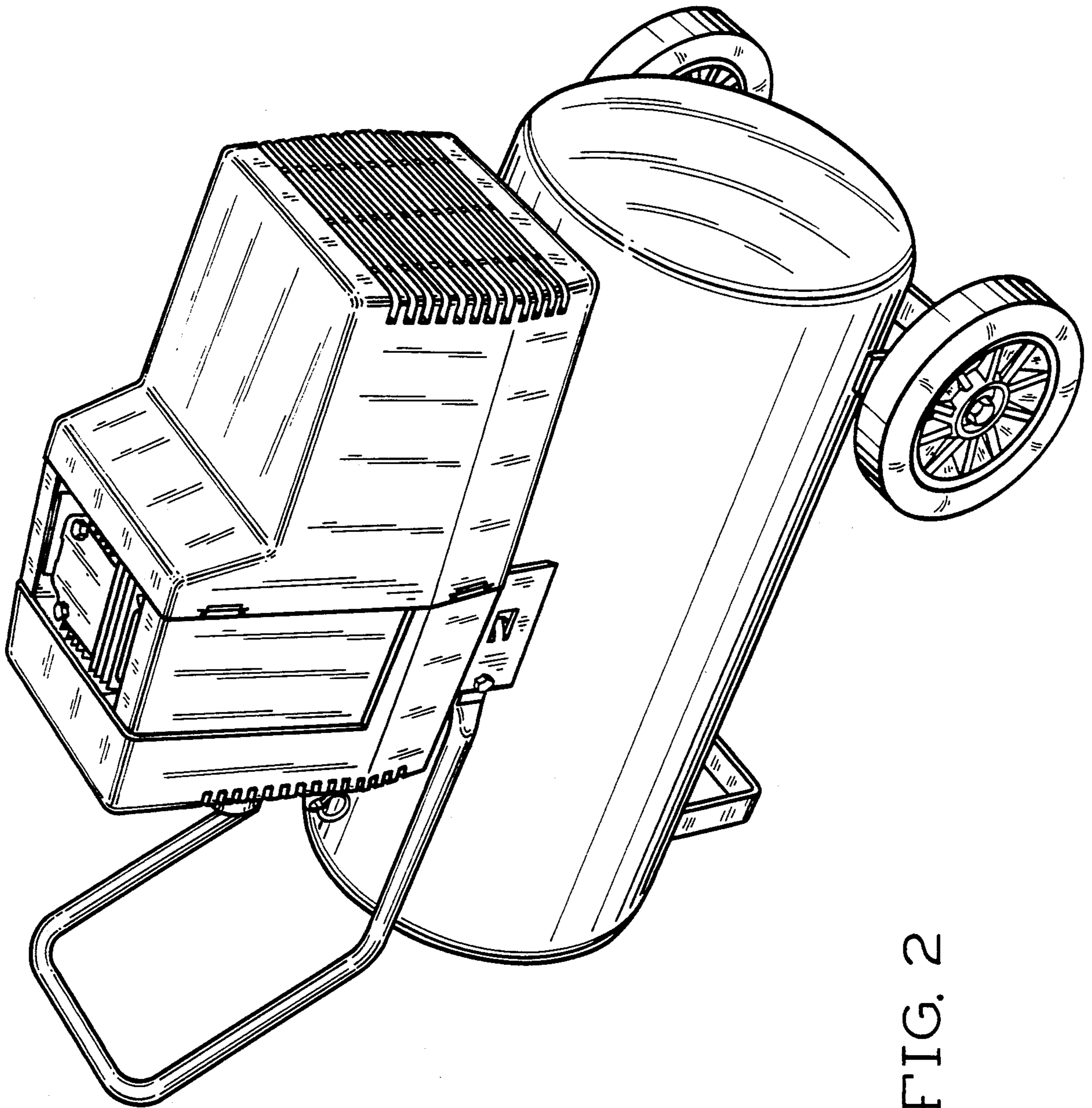


FIG. 1



—FIG. 2

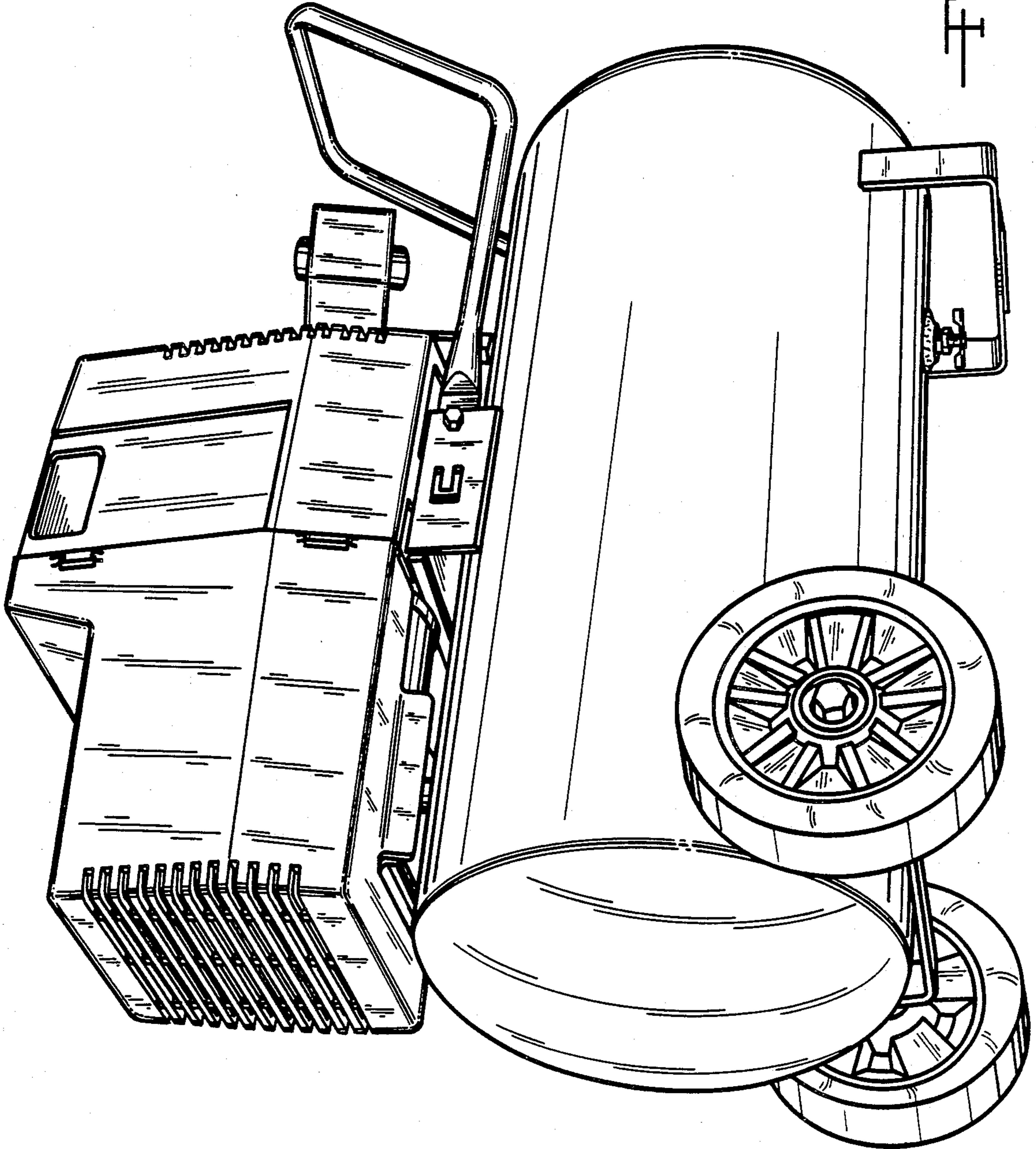


FIG. 3

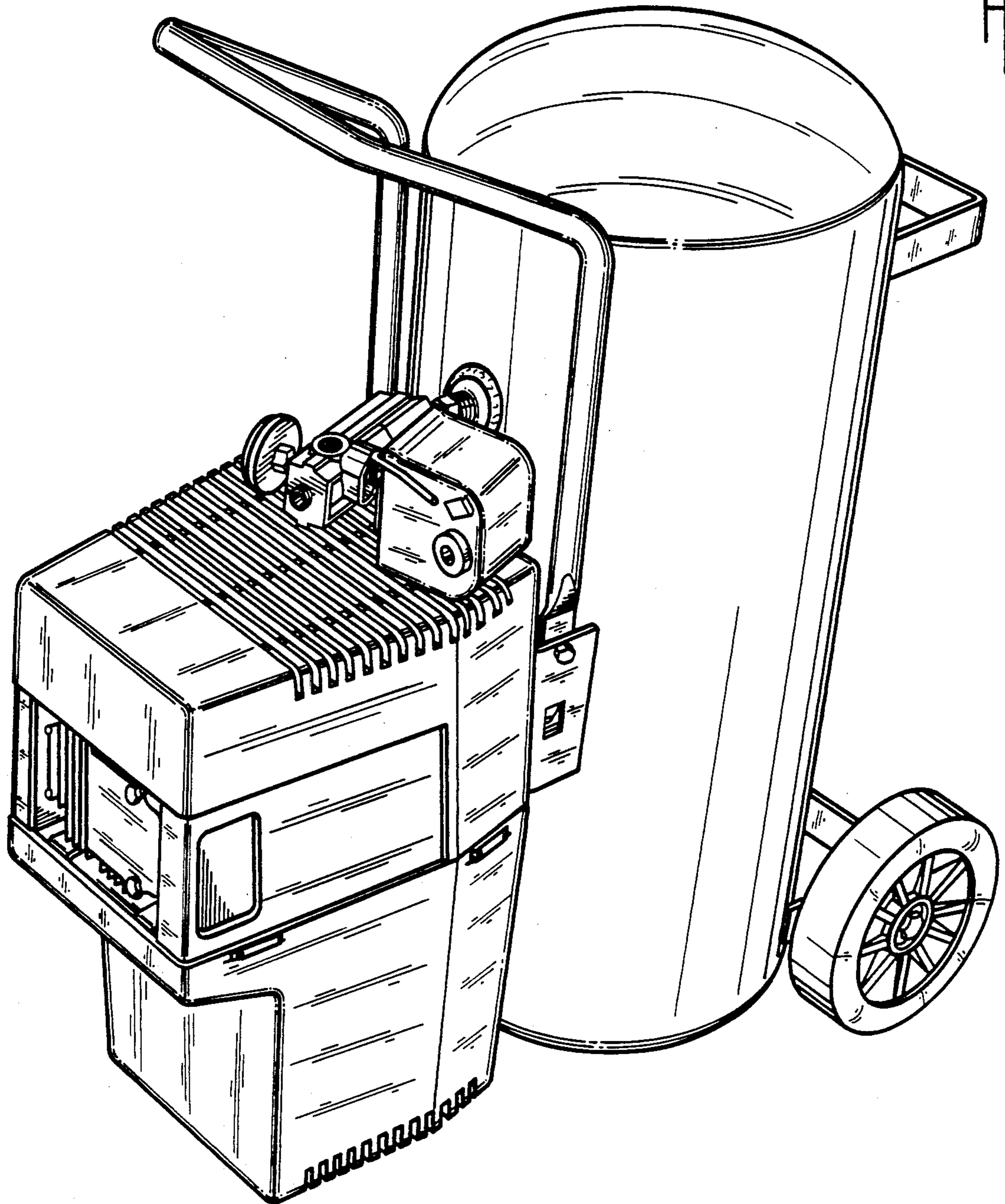
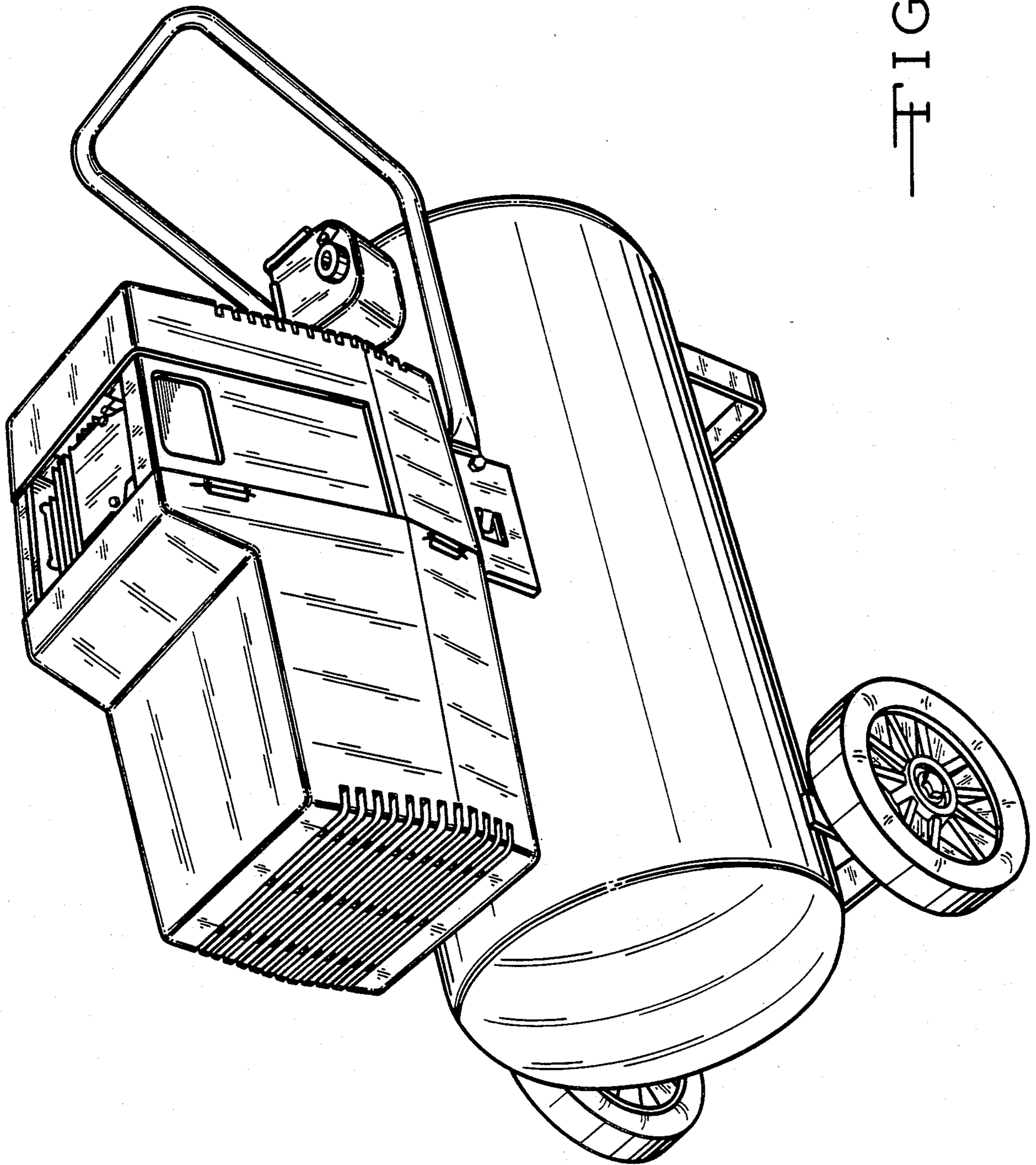
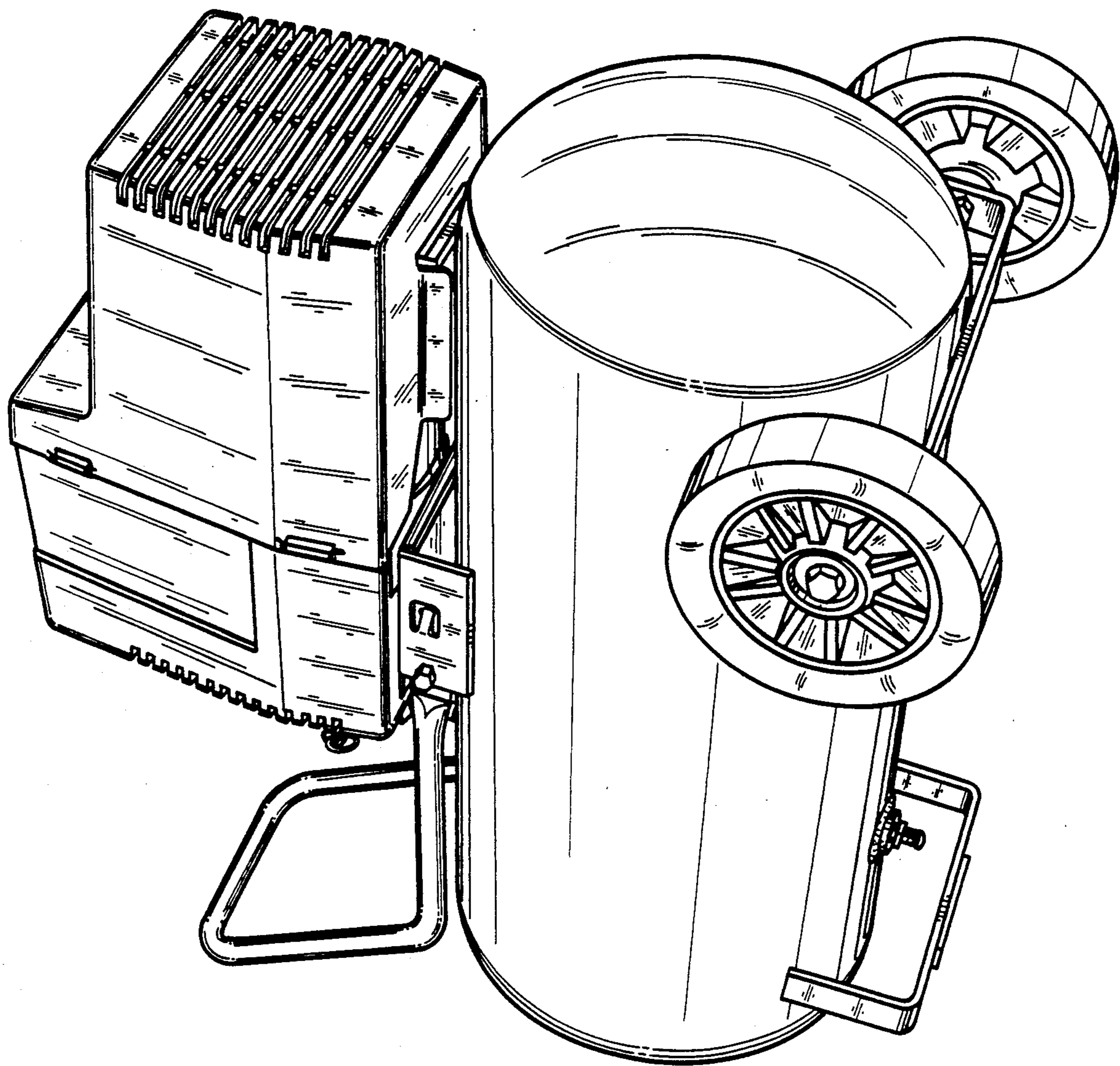


FIG. 4



—FIG. 5



—FIG. 6