

[54] PACKAGED AIR INFLATOR SET

4,257,415 3/1981 Rubin D3/74 X

[75] Inventor: Jerald V. Dunlap, Pacific Palisades, Calif.

Primary Examiner—Robert C. Spangler
Attorney, Agent, or Firm—Bogucki, Scherlacher, Mok & Roth

[73] Assignee: M-D & Co., Mammoth Lakes, Calif.

[**] Term: 14 Years

[57] CLAIM

[21] Appl. No.: 698,092

The ornamental design for a packaged air inflator set, substantially as shown and described.

[22] Filed: Feb. 4, 1985

DESCRIPTION

[52] U.S. Cl. D15/7; D3/30.1; D3/74; D9/345; D9/347; D9/337

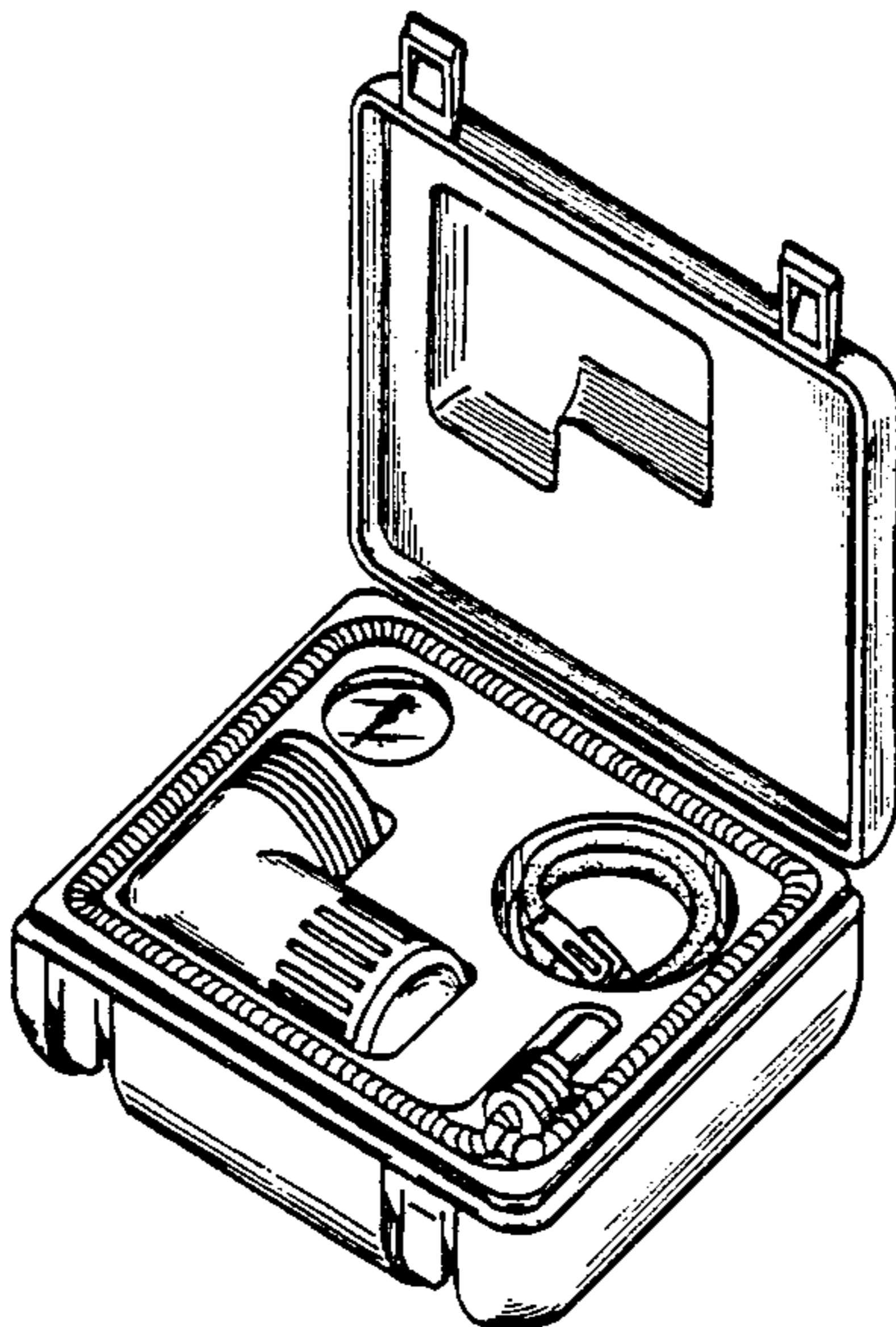
[58] Field of Search D9/337, 420, 423, 341, D9/345, 347; D3/30.1, 74; D15/7

FIG. 1 is a front perspective view of a packaged air inflator set showing my new design; FIG. 2 is the rear perspective view; FIG. 3 is another rear perspective view showing the bottom and side not seen in FIG. 2; FIG. 4 is a top plan view with the lid at a lowered position; FIG. 5 is a front elevational view; FIG. 6 is a rear elevational view; FIG. 7 is a side elevational view; and FIG. 8 is an elevational view thereof showing the side opposite that seen in FIG. 7.

[56] References Cited

U.S. PATENT DOCUMENTS

- D. 205,579 8/1966 Schurman D3/74
- D. 264,396 5/1982 Harvey et al. D3/30.1
- D. 273,178 3/1984 Dunlap D3/74 X
- D. 281,033 10/1985 Mohri D3/74 X
- 3,612,335 10/1971 Schurman D3/74 X



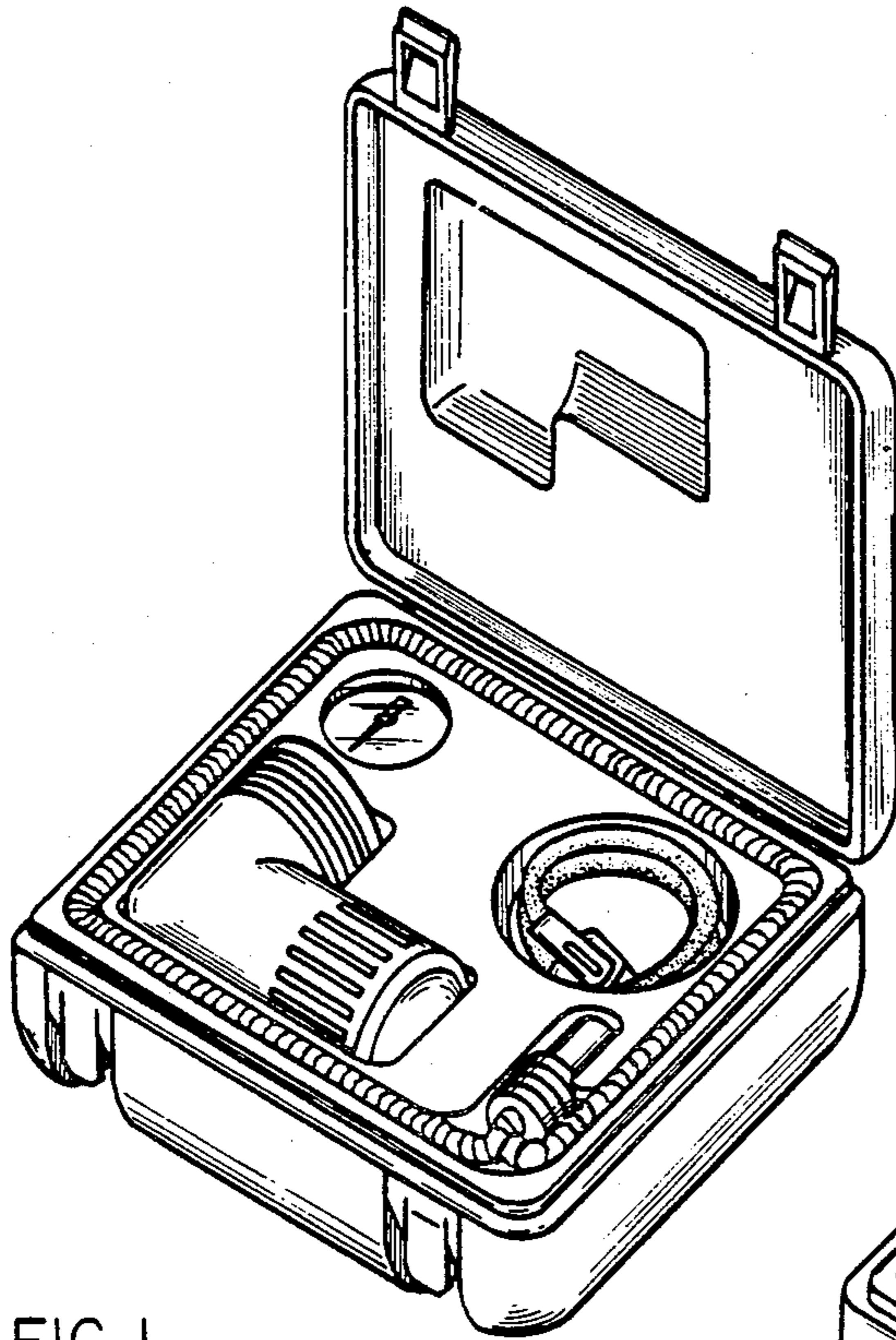


FIG. 1

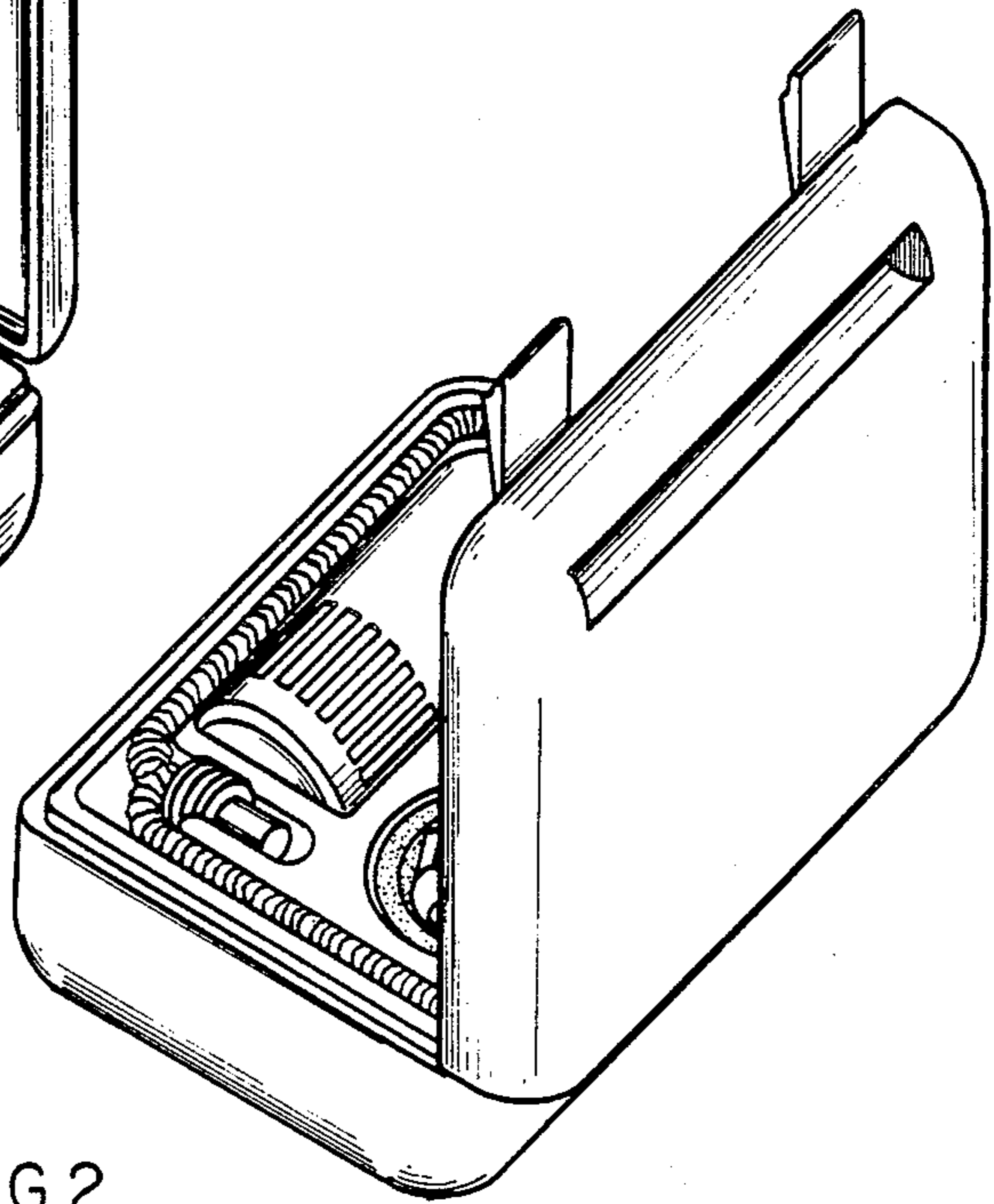


FIG. 2

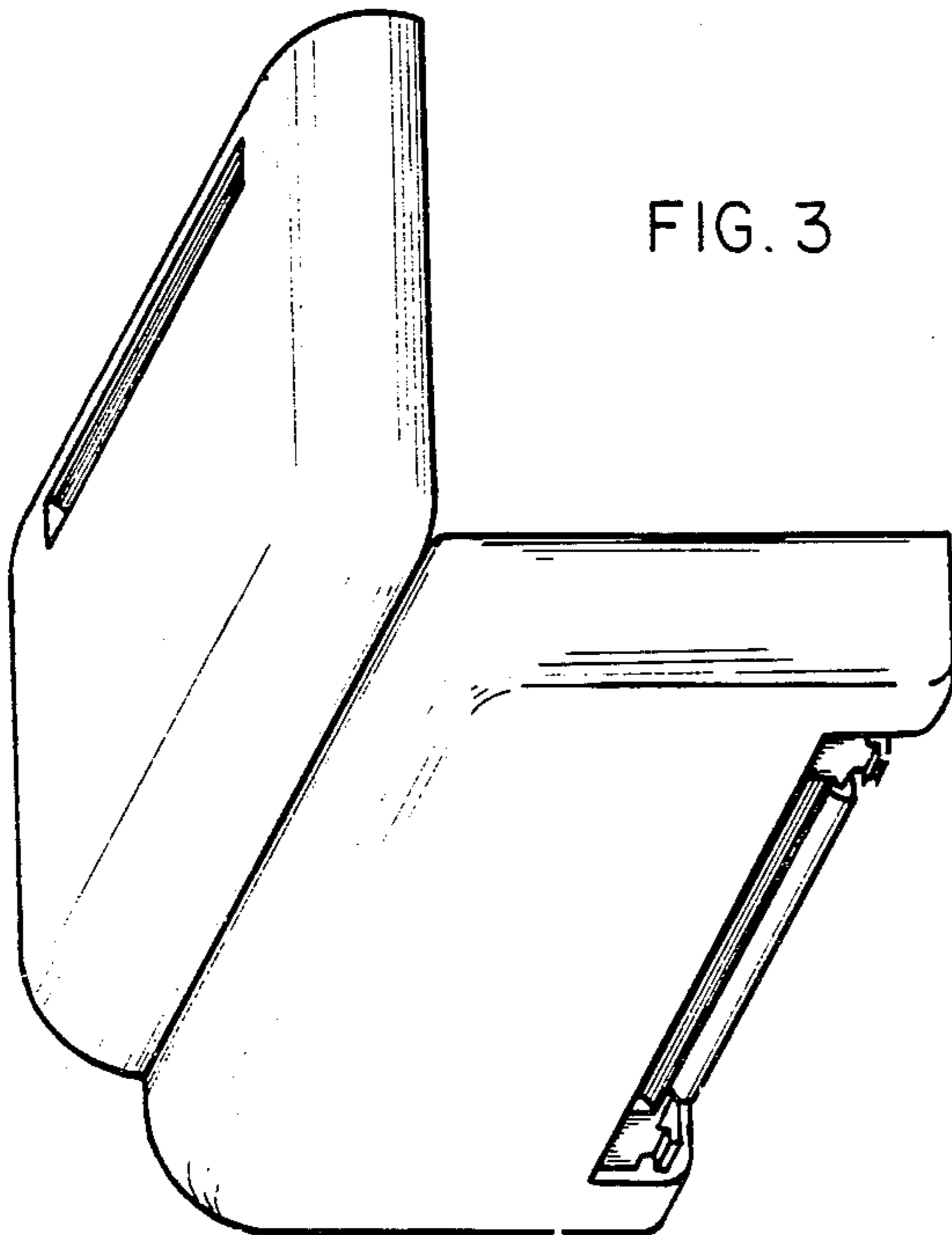


FIG. 3

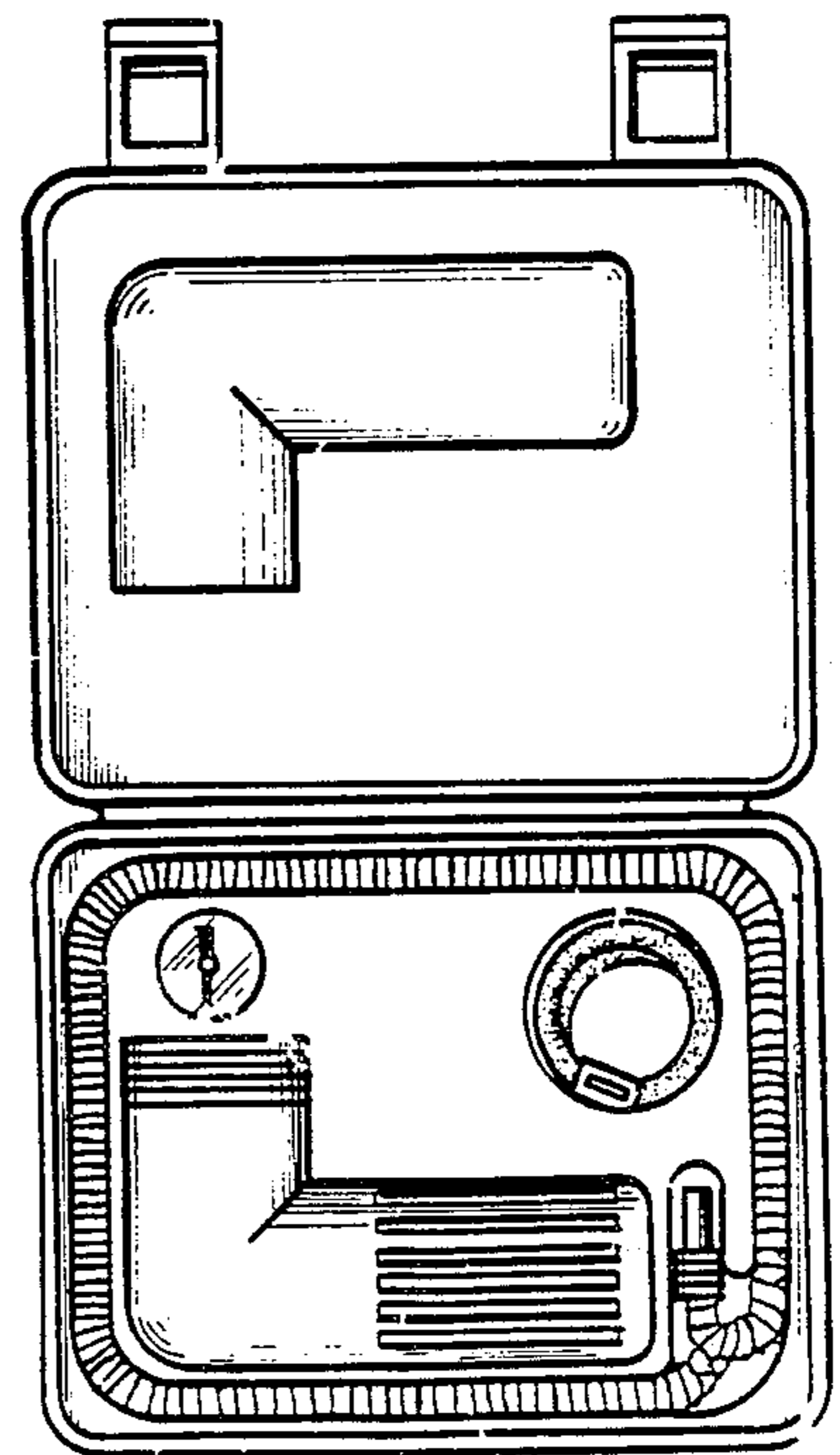


FIG. 4

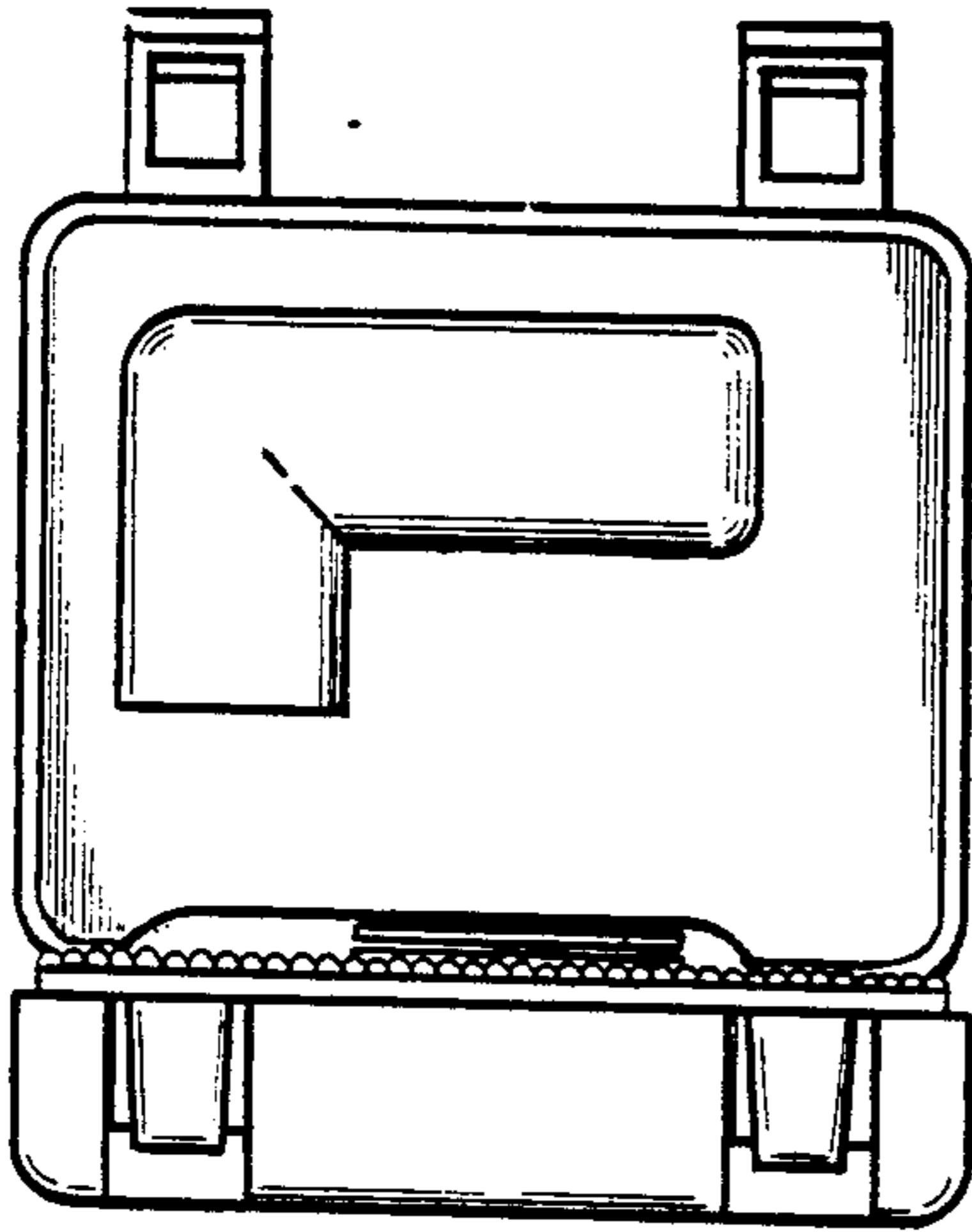


FIG. 5

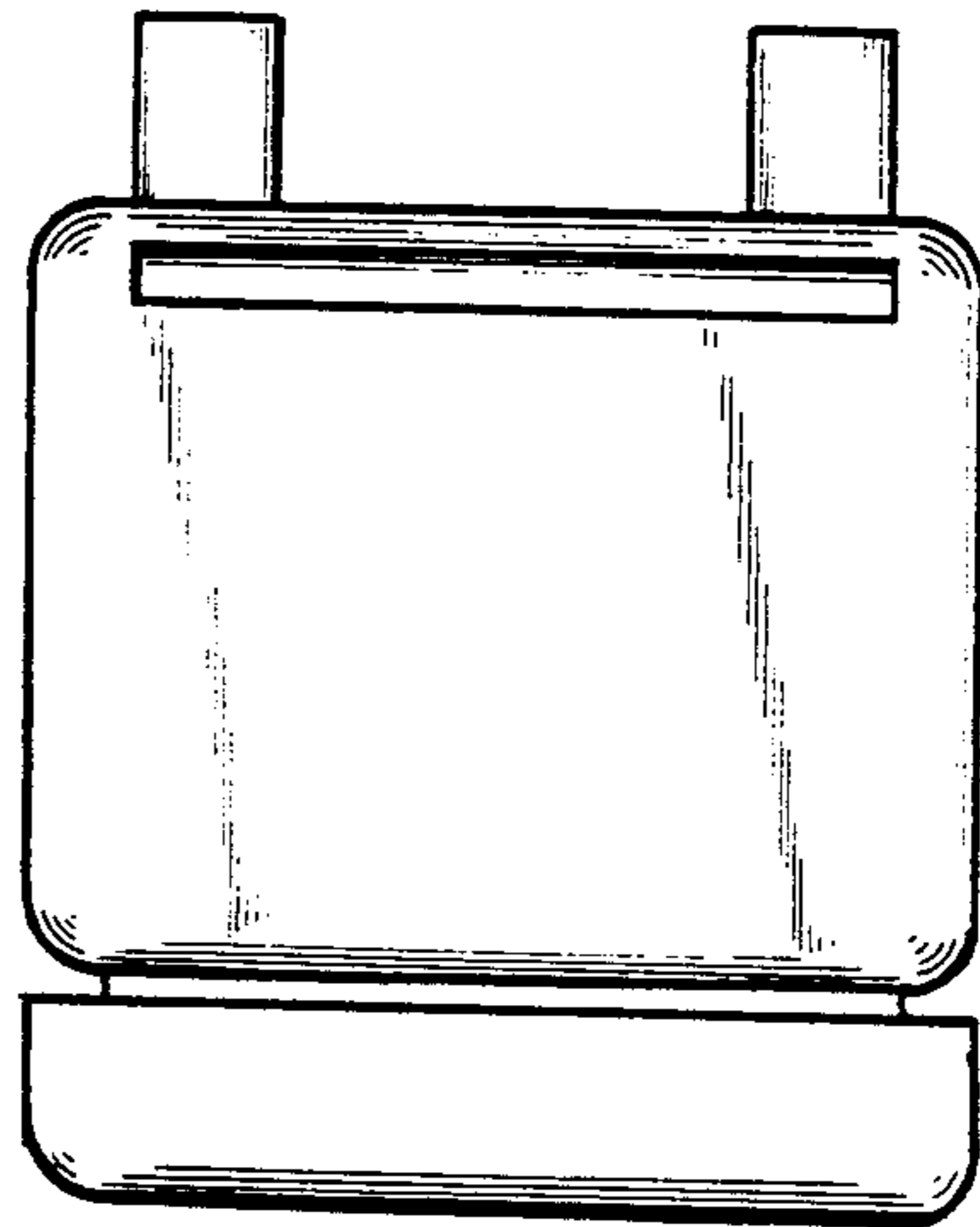


FIG. 6

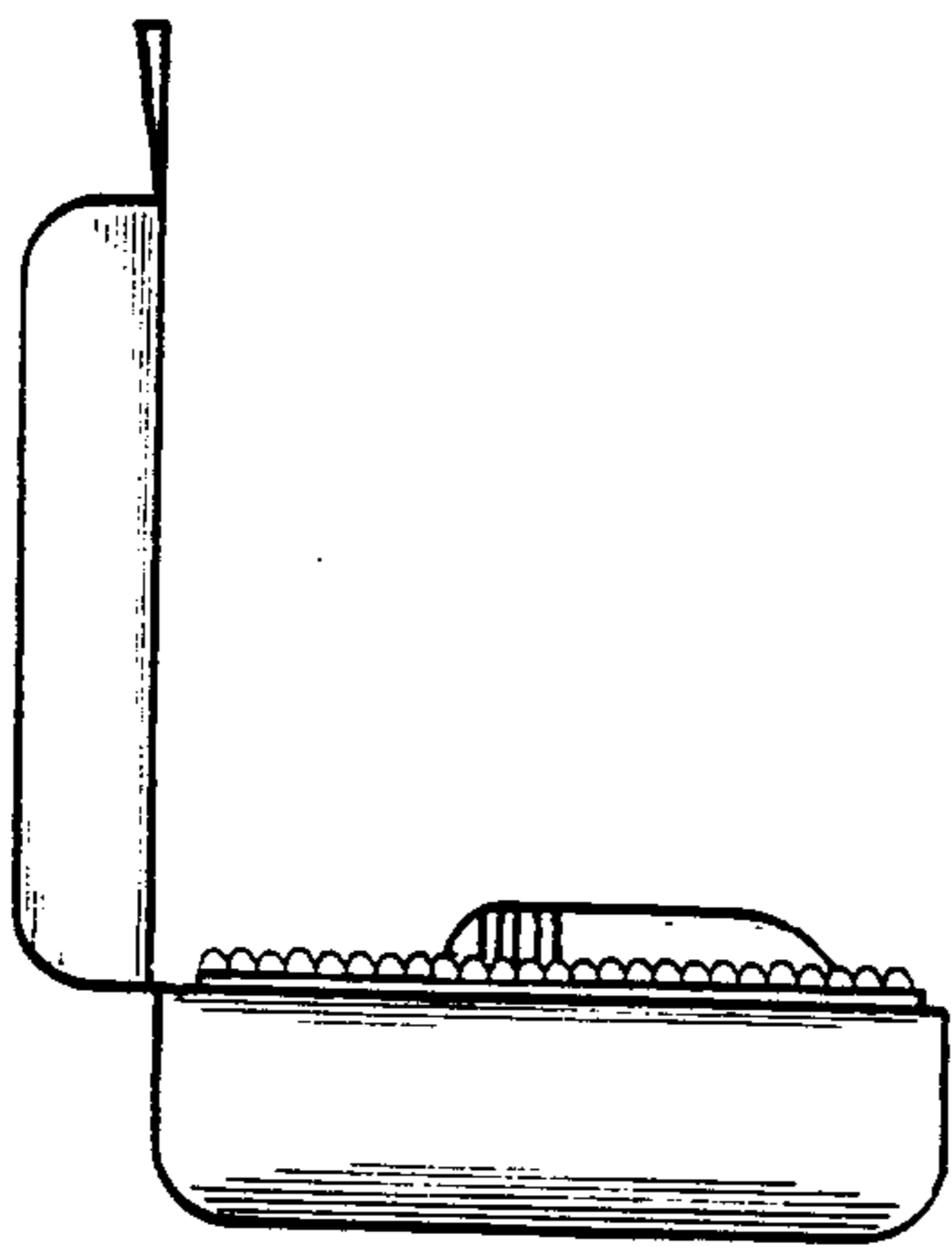


FIG. 7

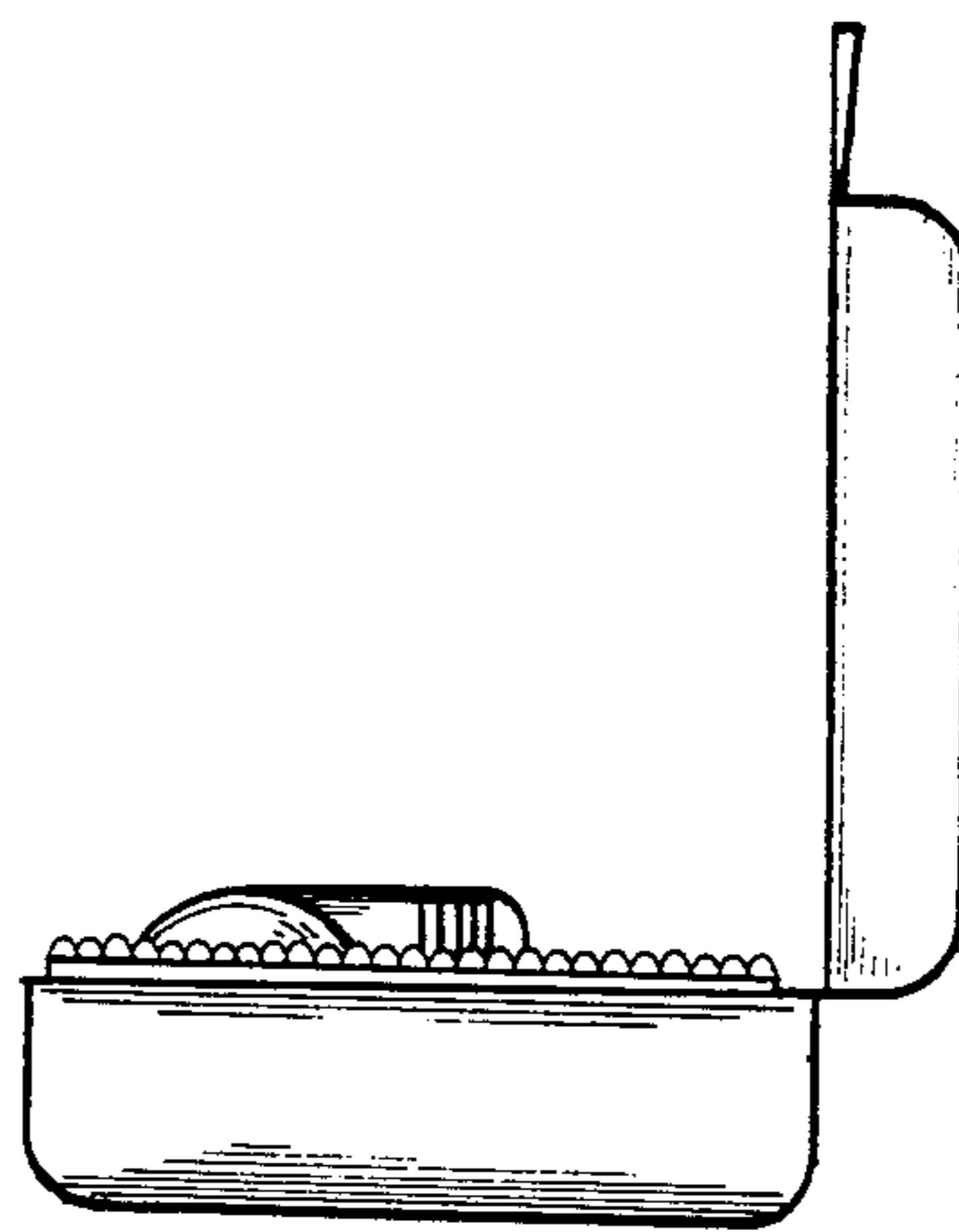


FIG. 8