

[54] COMBINED MIXER AND PUMP FOR HOG FEED SLURRY

[76] Inventor: Peter J. Christianson, P.O. Box 2005, Elbow Lake,, Minn. 56531

[**] Term: 14 Years

[21] Appl. No.: 715,376

[22] Filed: Mar. 25, 1985

[52] U.S. Cl. D15/7; D30/121

[58] Field of Search D15/7, 9; 417/65, 85, 417/237, 321, 349, 405, 572, 900; 415/5, 219 R; 414/14, 17

[56] References Cited

U.S. PATENT DOCUMENTS

D. 164,762 10/1951 Colbert D15/7

D. 262,113 12/1981 Durrum D15/7
D. 265,005 6/1982 Reinhorn D15/7 X
1,505,114 8/1924 Weber D15/9 X

Primary Examiner—Wallace R. Burke
Assistant Examiner—Brian N. Vinson
Attorney, Agent, or Firm—Schroeder & Siegfried

[57] CLAIM

The ornamental design for a combined mixer and pump for hog feed slurry, as shown and described.

DESCRIPTION

FIG. 1 is a top plan view of a combined mixer and pump for hog feed slurry showing my new design; FIG. 2 is a bottom plan view thereof; FIG. 3 is a rear elevational view thereof; FIG. 4 is a front elevational view thereof; FIG. 5 is a right side elevational view thereof; and FIG. 6 is a left side elevational view thereof.

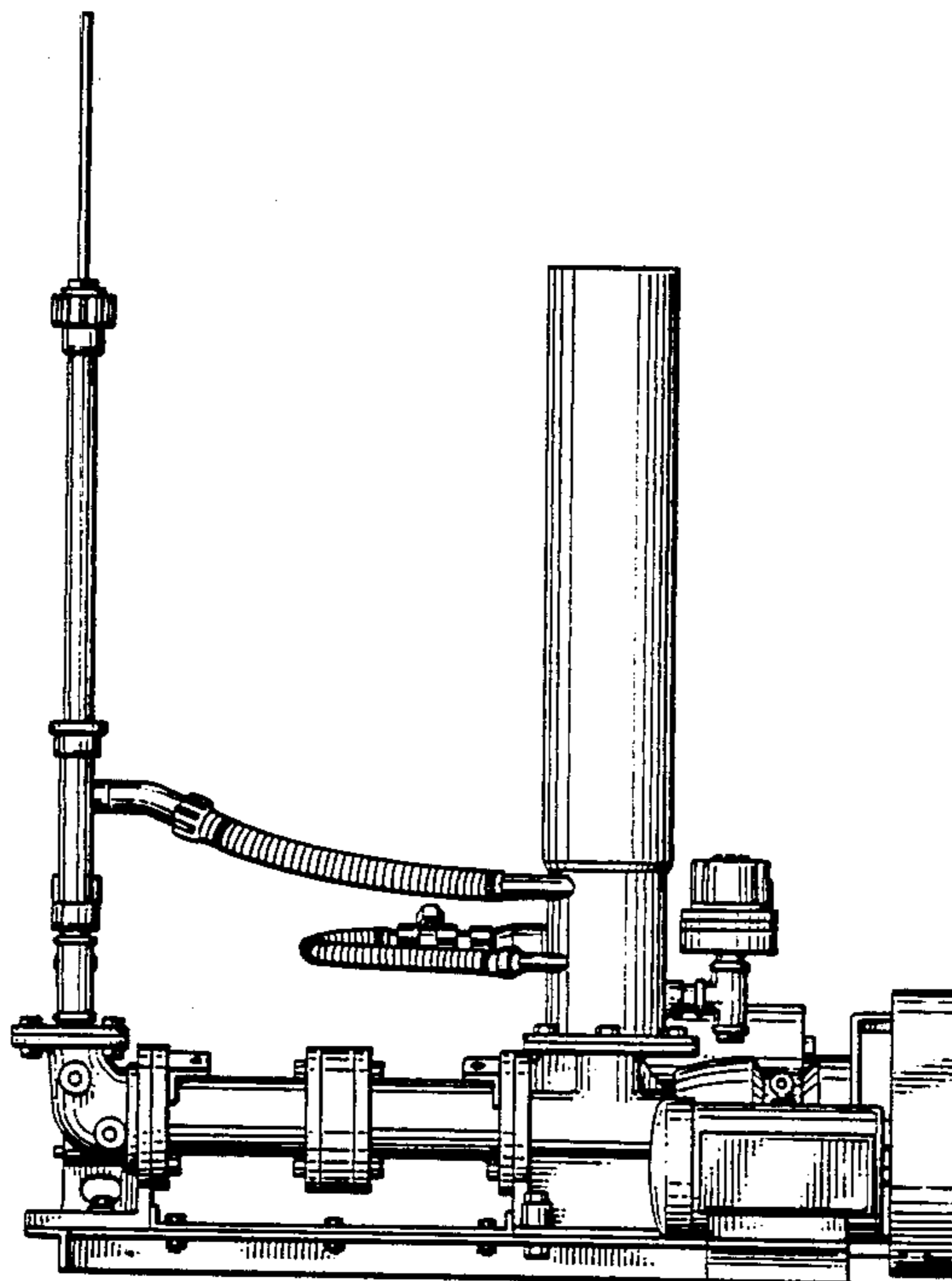


Fig. 1

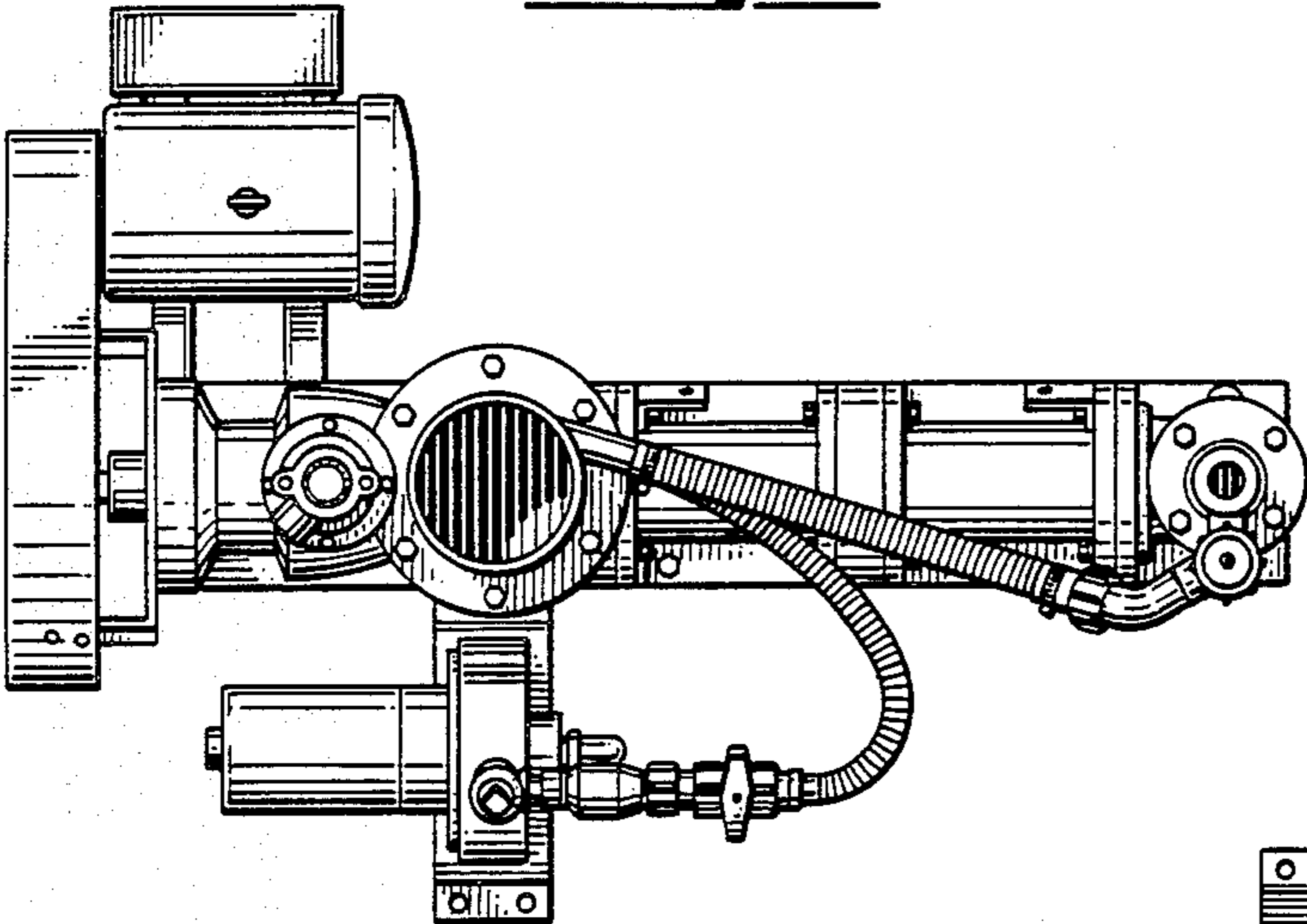


Fig. 2

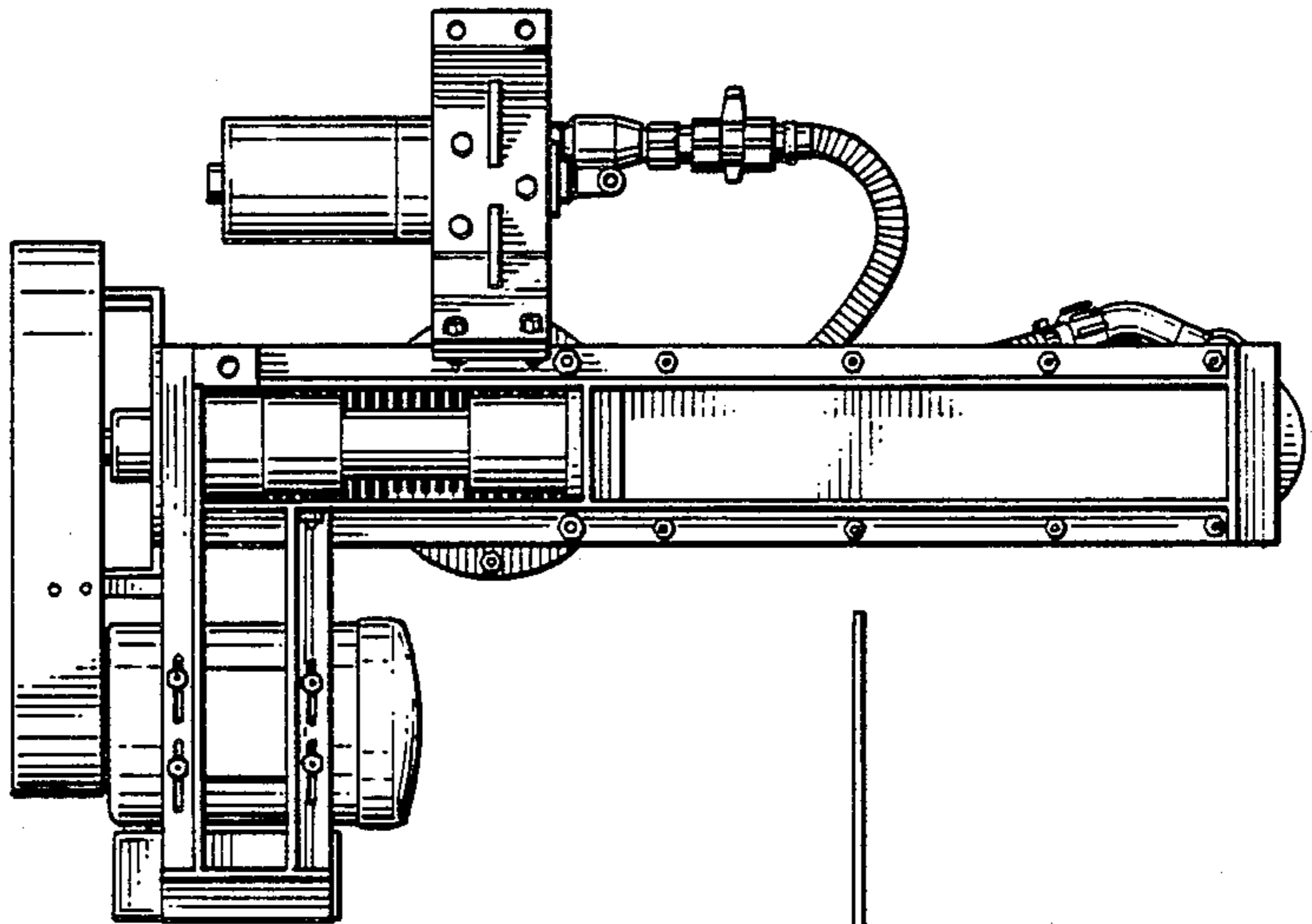


Fig. 3

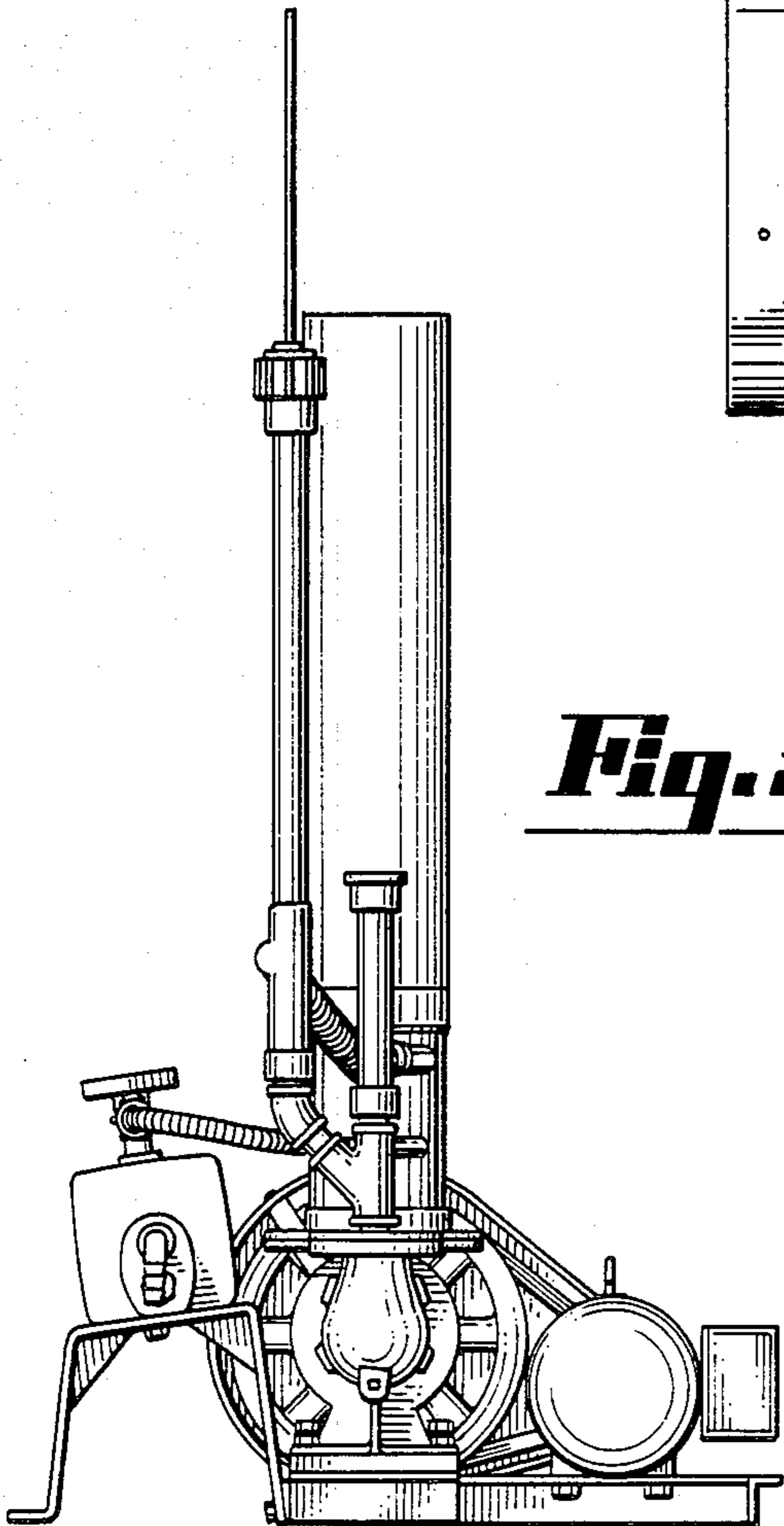


Fig. 4

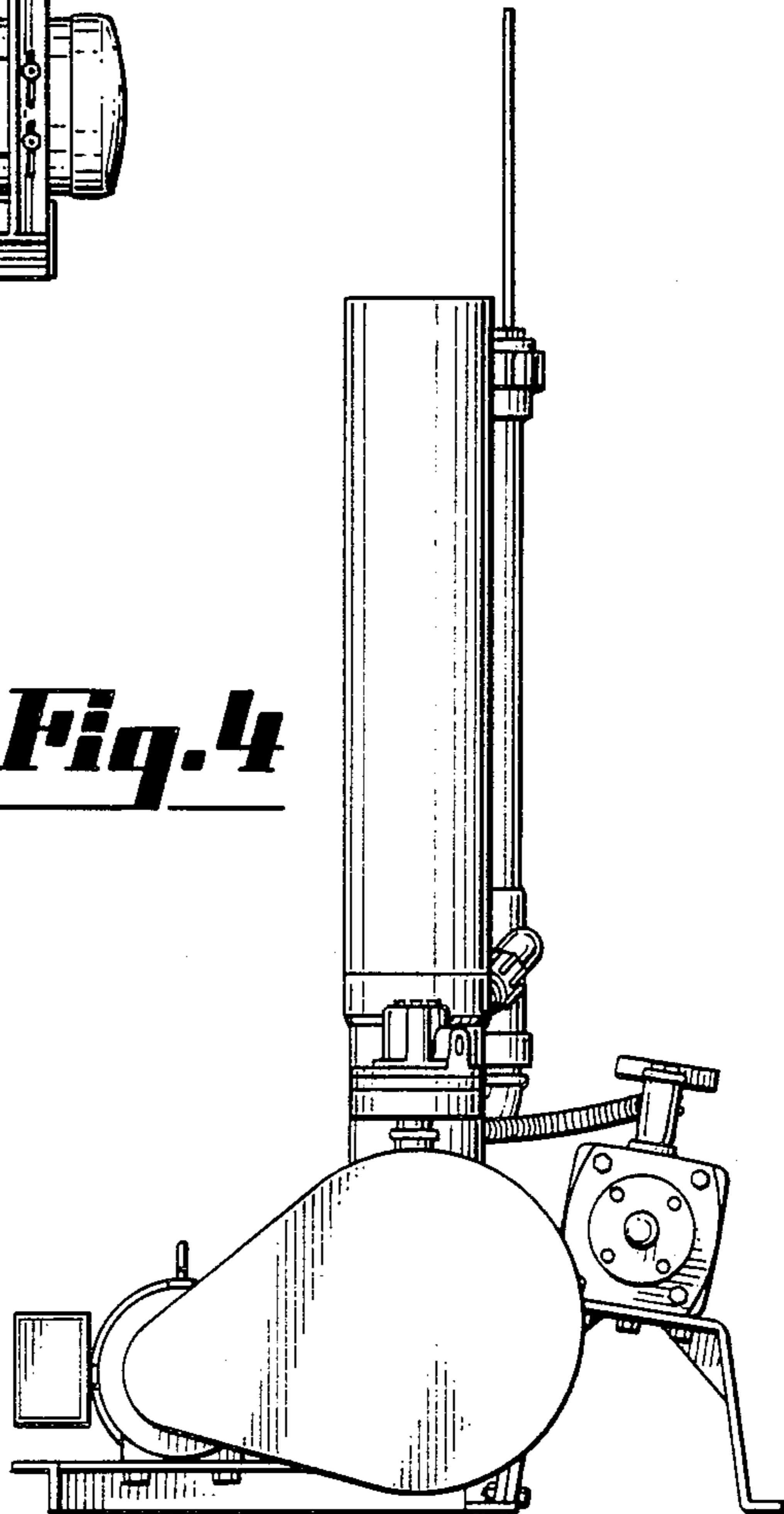


Fig. 6

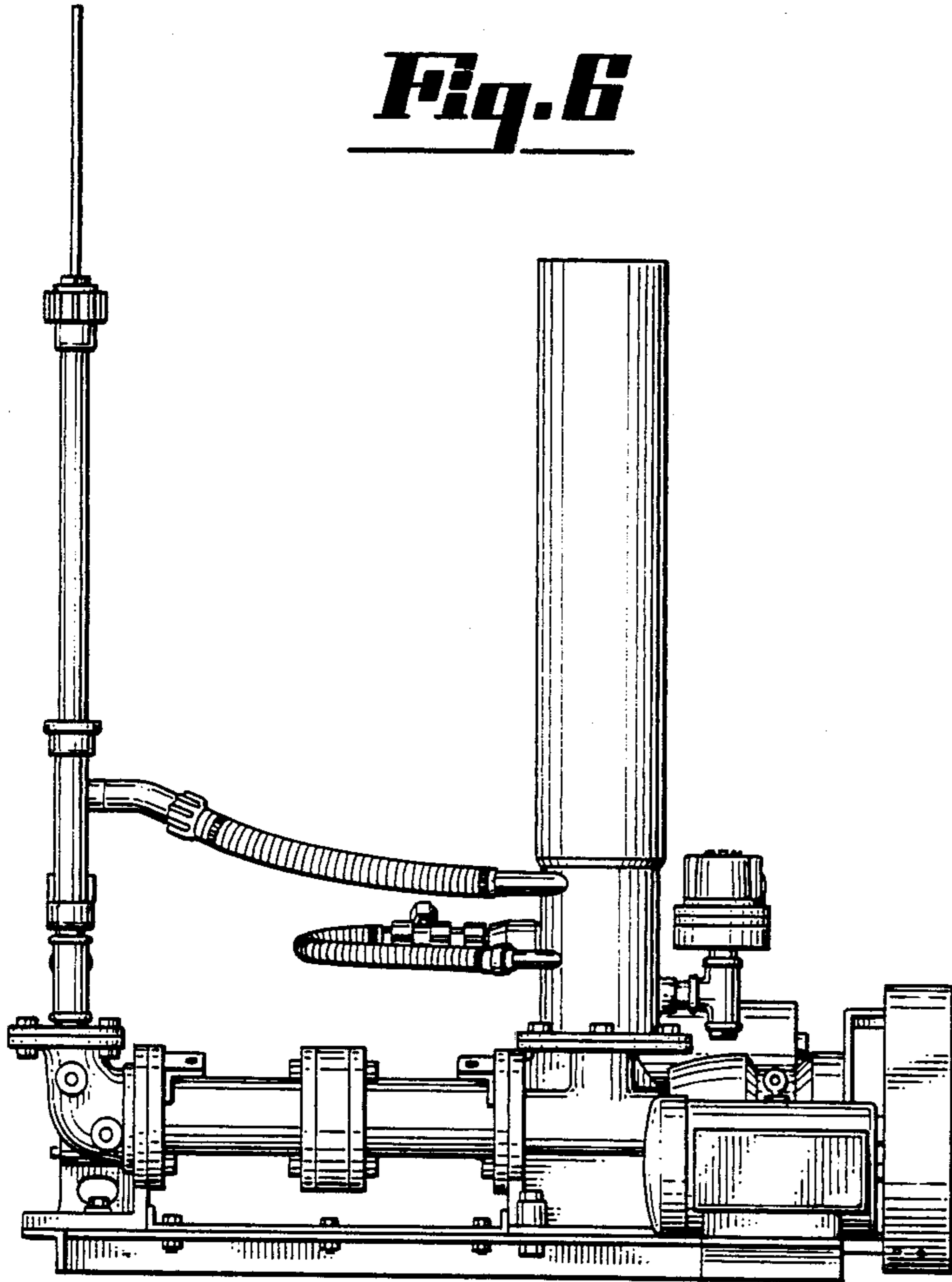


Fig. 5

