

[54] CONNECTING ADAPTER FOR A GASEOUS FUEL CARBURETOR

[75] Inventor: Alan G. Brown, Hamilton, New Zealand

[73] Assignee: Impco Carburetion, Inc., Cerritos, Calif.

[**] Term: 14 Years

[21] Appl. No.: 754,469

[22] Filed: Jul. 15, 1985

[52] U.S. Cl. D15/6; D15/5; D6/535; D6/556

[58] Field of Search D15/1, 3, 5, 6; 123/26; 261/DIG. 1, 22, 28, 16; D6/535, 556; D7/70; D8/373

[56] References Cited

U.S. PATENT DOCUMENTS

- D. 244,302 5/1977 Bradley D7/70 X
- D. 258,188 2/1981 Wilson D7/70 X
- 3,282,664 11/1966 Baverstock 261/69.1 X

OTHER PUBLICATIONS

Whitney Catalogue 431-C, p. 175—Carburetor Adapter/Spacers.

Whitney Catalogue 451-D, p. 172—Single to Dual Carburetor Adapter.

Primary Examiner—Wallace R. Burke

Assistant Examiner—Brian N. Vinson

Attorney, Agent, or Firm—Thomas A. Seeman

[57] CLAIM

The ornamental design for a connecting adapter for a gaseous fuel carburetor, as shown and described.

DESCRIPTION

FIG. 1 is a front elevational view of a connecting adapter for a gaseous fuel carburetor showing my new design;

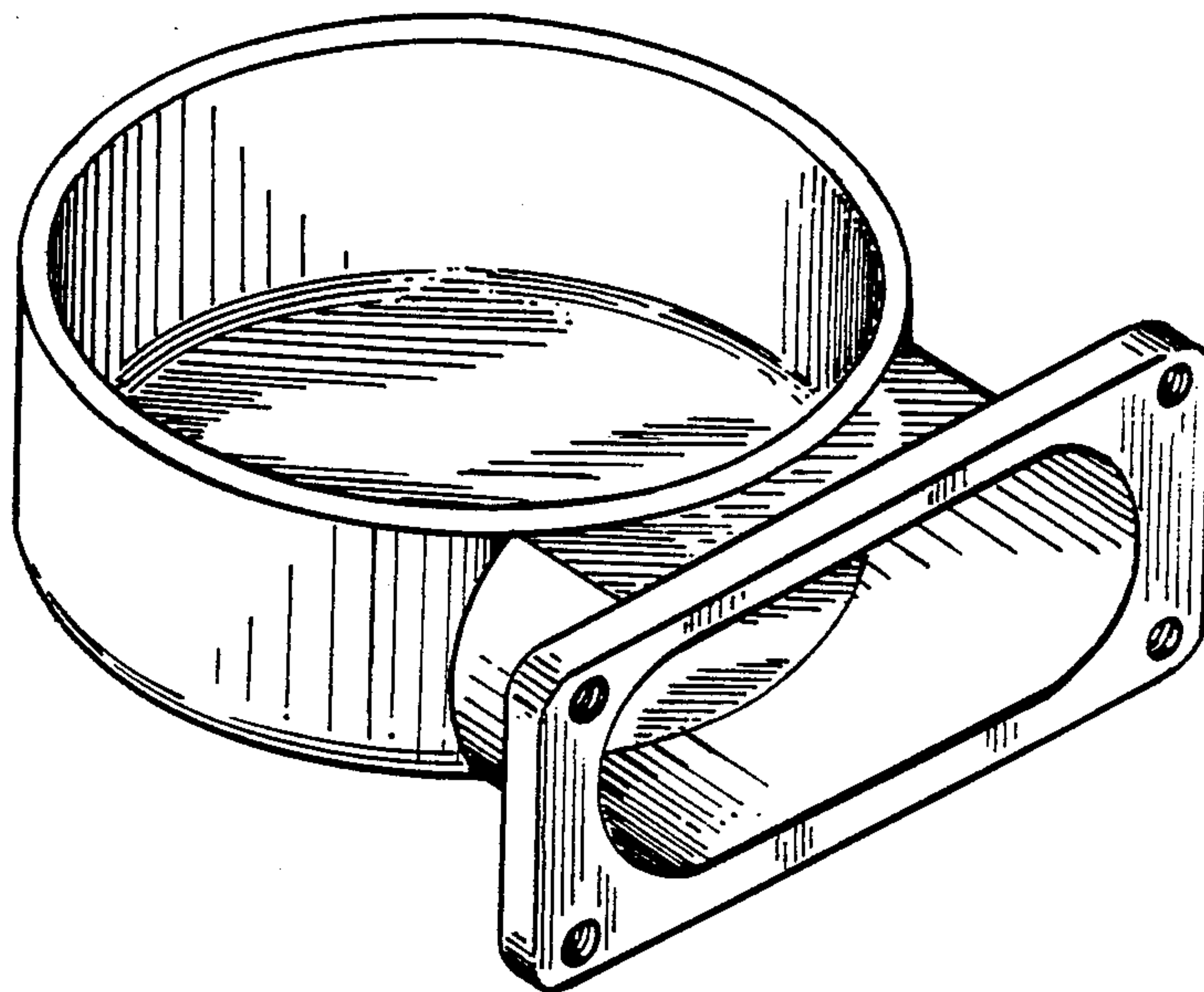
FIG. 2 is a top plan view thereof.

FIG. 3 is a rear elevational view thereof;

FIG. 4 is a bottom plan view thereof;

FIG. 5 is a side elevational view thereof, the side opposite being a mirror image; and,

FIG. 6 is a bottom and front perspective view thereof.



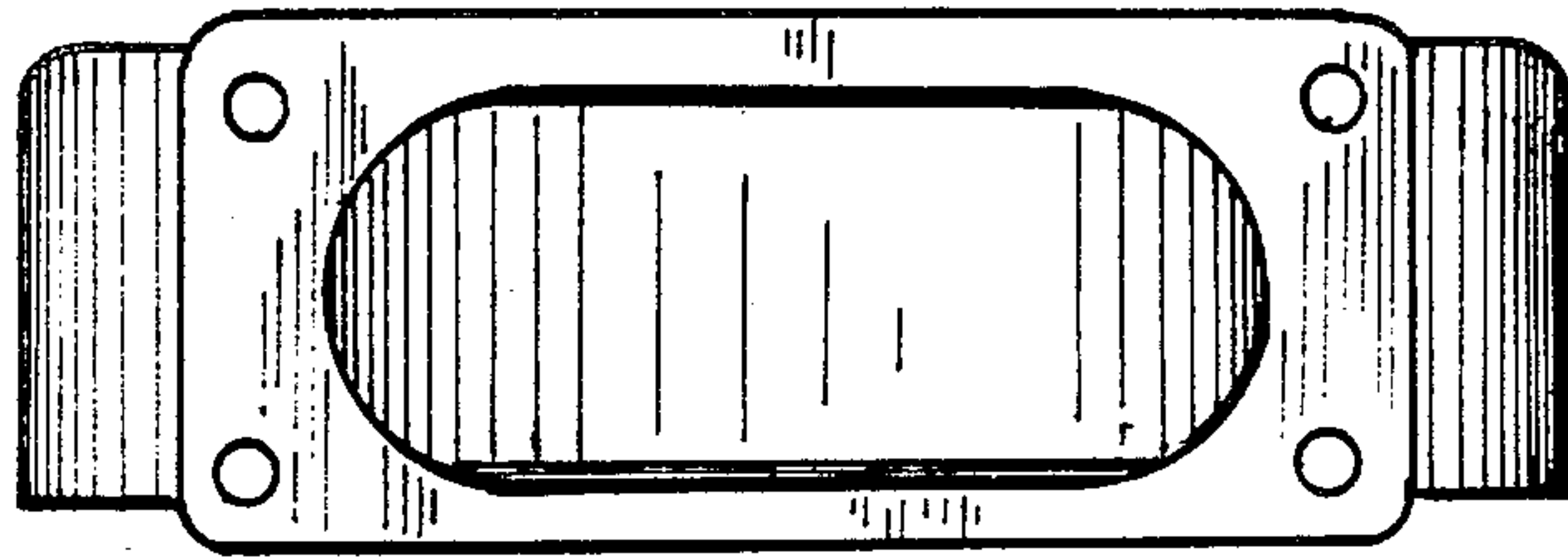


FIG. 1

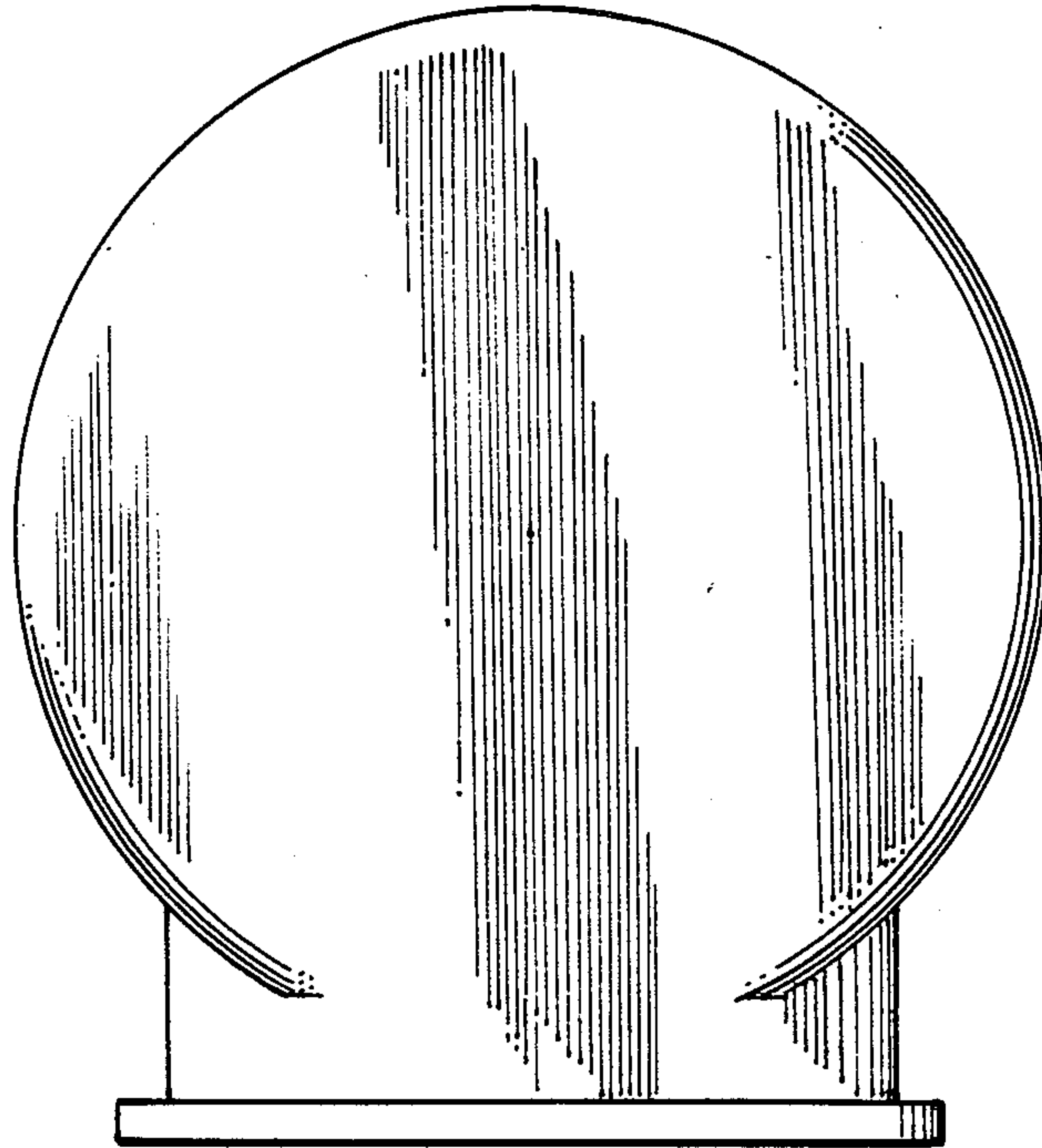


FIG. 2

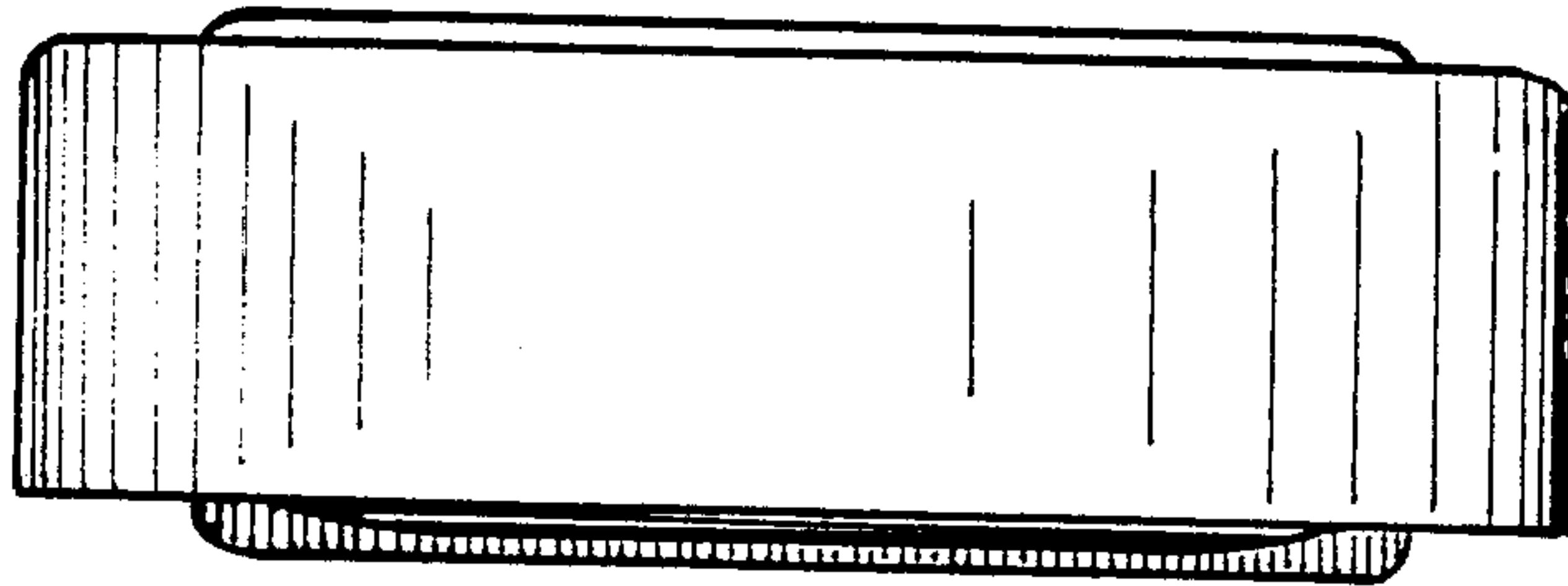


FIG. 3

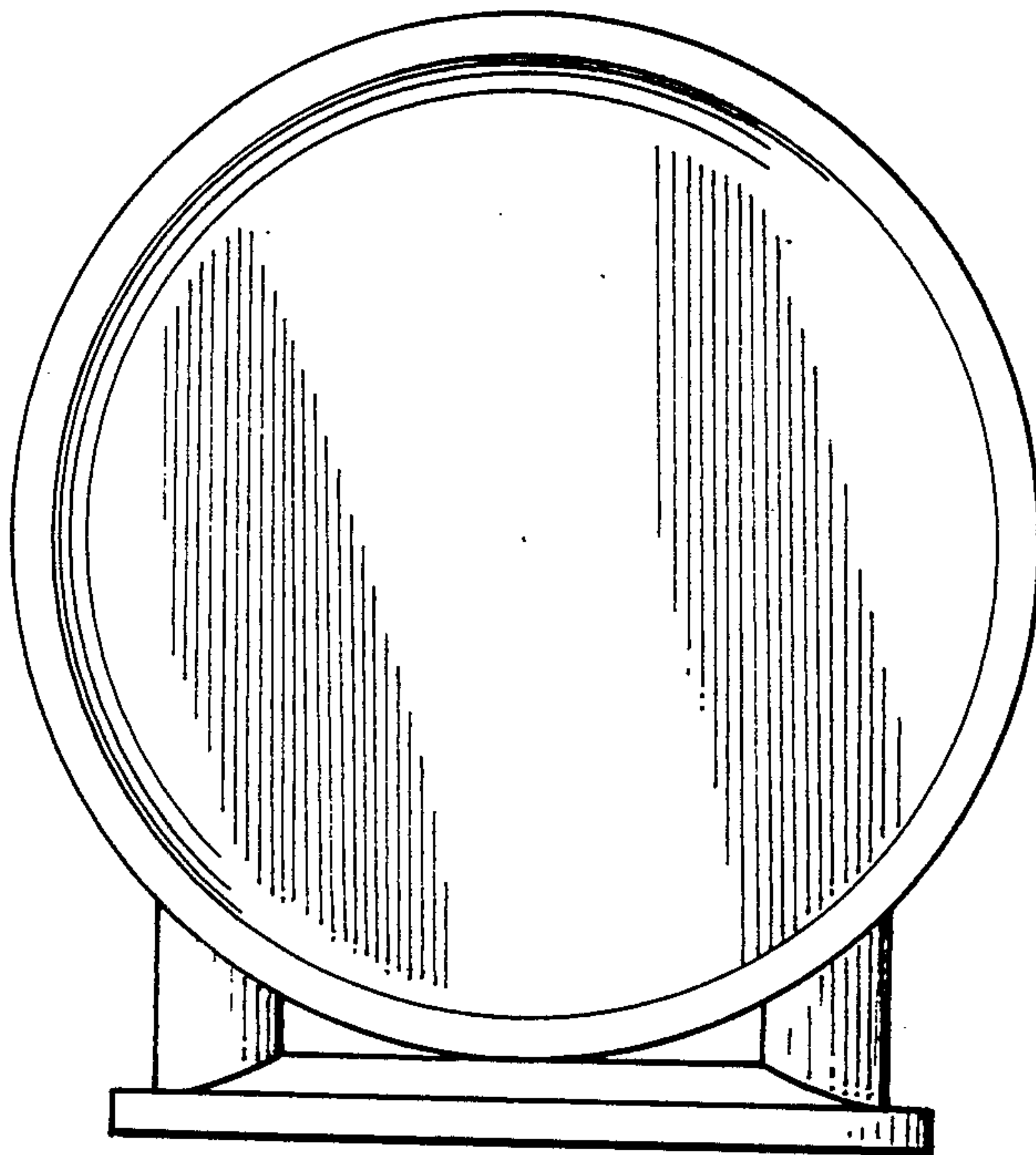


FIG. 4

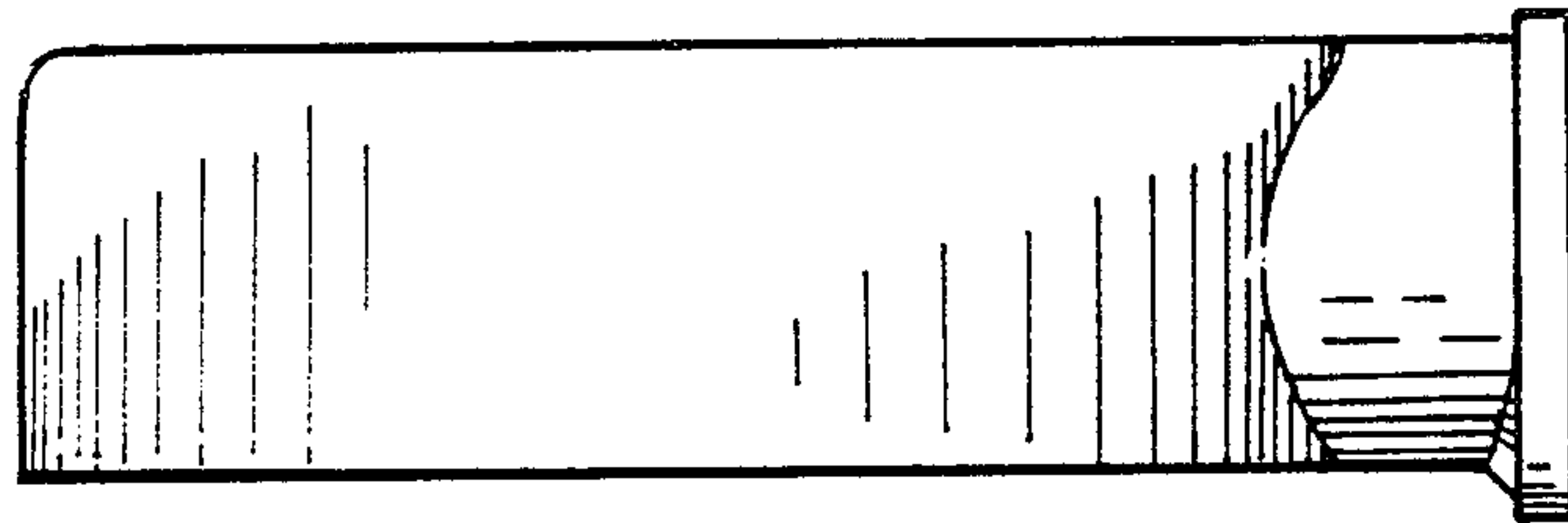


FIG. 5

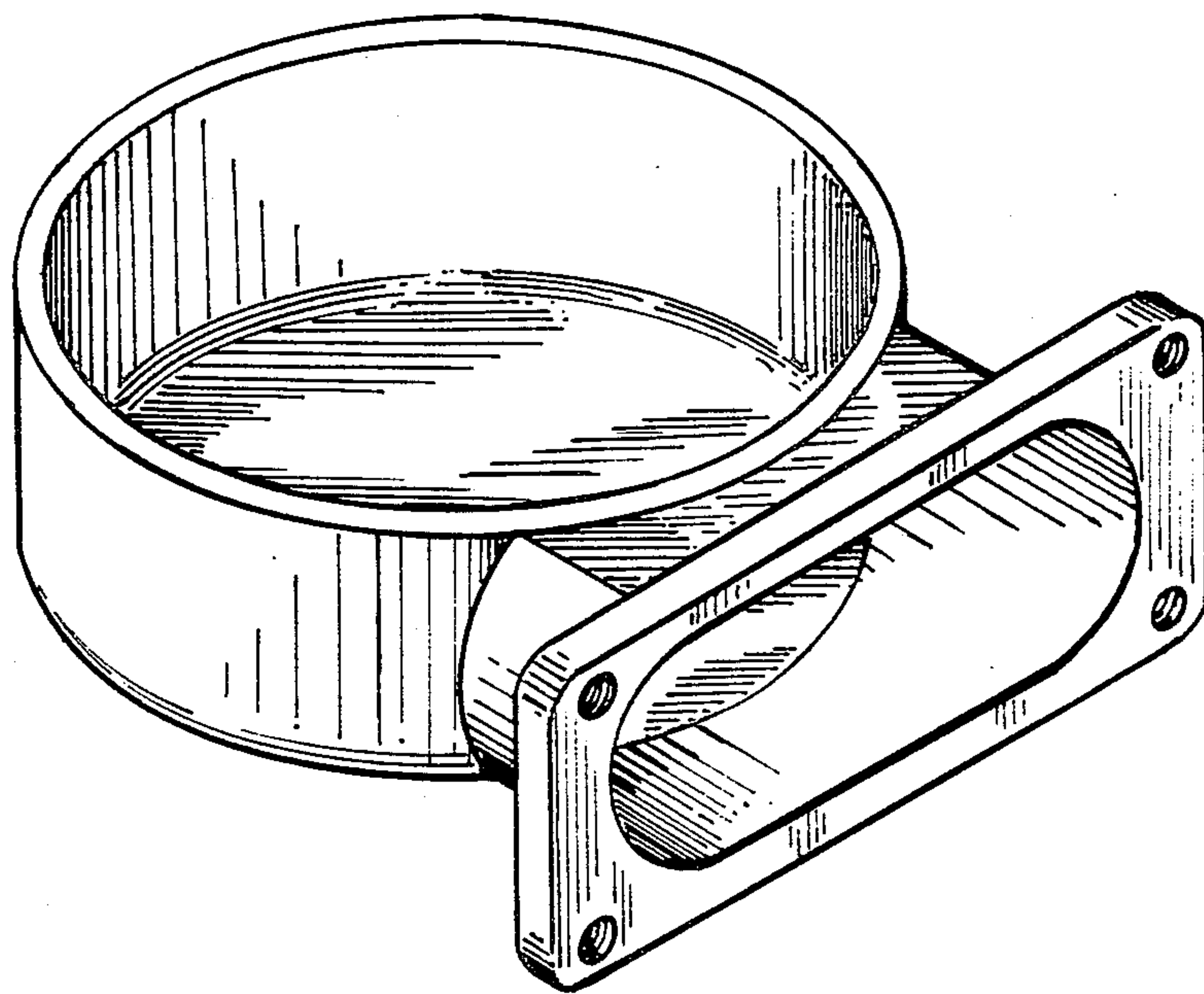


FIG. 6