

[54] DISPLAY TERMINAL FOR DATA PROCESSING APPARATUS

[75] Inventor: Arnold M. Davis, Bloomington, N.Y.

[73] Assignee: International Business Machines Corporation, Armonk, N.Y.

[\*\*] Term: 14 Years

[21] Appl. No.: 663,802

[22] Filed: Oct. 23, 1984

[52] U.S. Cl. .... D14/113

[58] Field of Search ..... D14/100, 106, 113, 77, D14/80, 81, 82, 84; D18/1, 12; 340/700, 711, 720; 358/248, 249, 254; 312/7.2

[56] References Cited

U.S. PATENT DOCUMENTS

D. 266,762	11/1982	Gibson	.....	D14/113 X
D. 274,728	7/1984	Shibata	.....	D14/113
D. 278,149	3/1985	Naito	.....	D14/113
4,438,458	3/1984	Münscher	.....	340/700 X

OTHER PUBLICATIONS

IBM Technical Disclosure Bulletin, vol. 23, No. 6, 11-1980, p. 2339, Variable Tilt Gas Panel, Schaum, Display Terminal.

Primary Examiner—Susan J. Lucas  
Attorney, Agent, or Firm—George E. Clark; Joseph J. Connerton

[57] CLAIM

The ornamental design for display terminal for data processing apparatus, substantially as shown and described.

DESCRIPTION

FIG. 1 is front, left side perspective view of a display terminal for data processing apparatus showing my new design;

FIG. 2 is a front, right side perspective view thereof;

FIG. 3 is a left side elevational view thereof;

FIG. 4 is a rear, left side perspective view thereof;

FIG. 5 is a rear, right side perspective view thereof;

FIG. 6 is a bottom plan view thereof, the adjustable support being moved to its storage position.

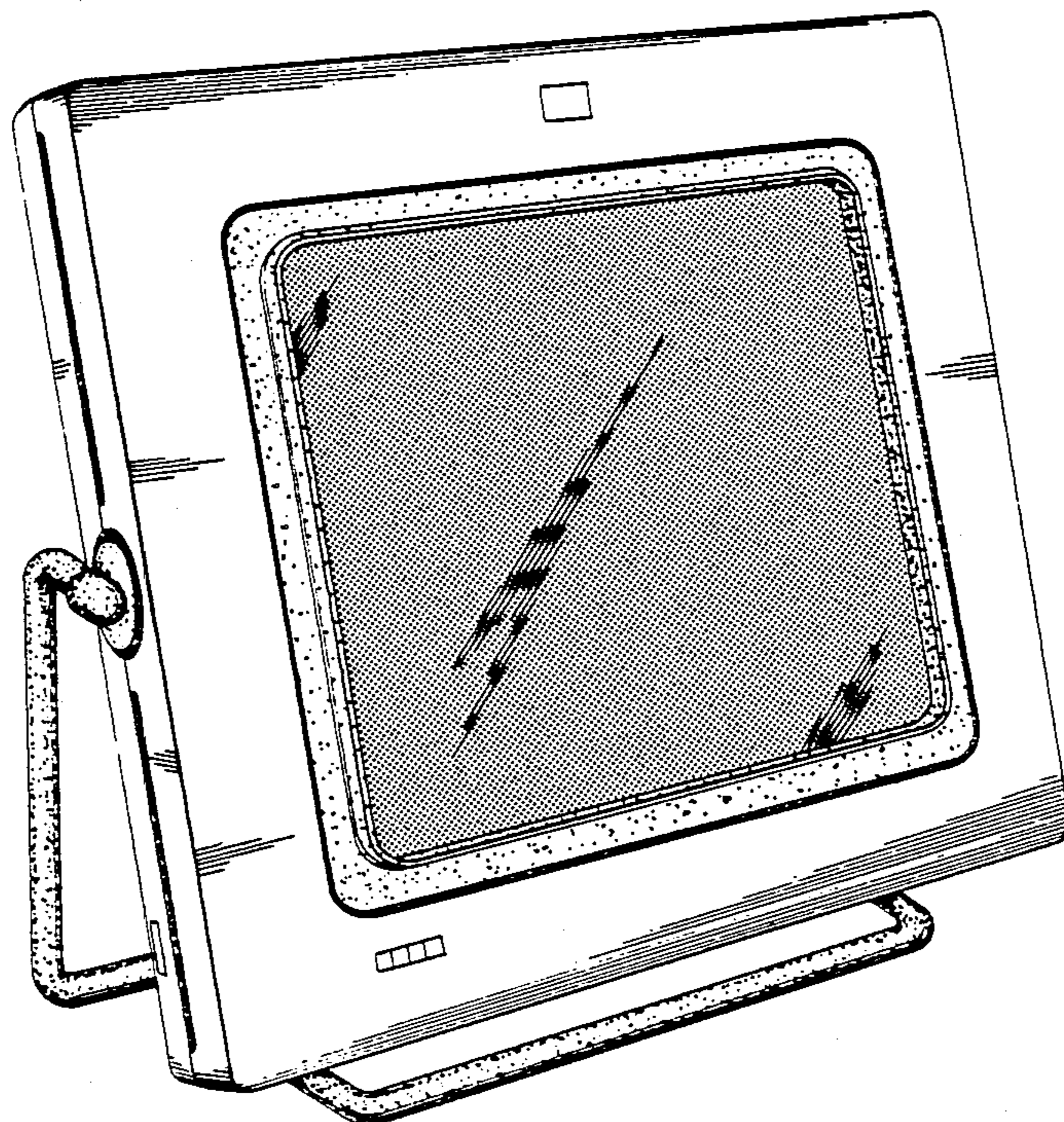


FIG. 1

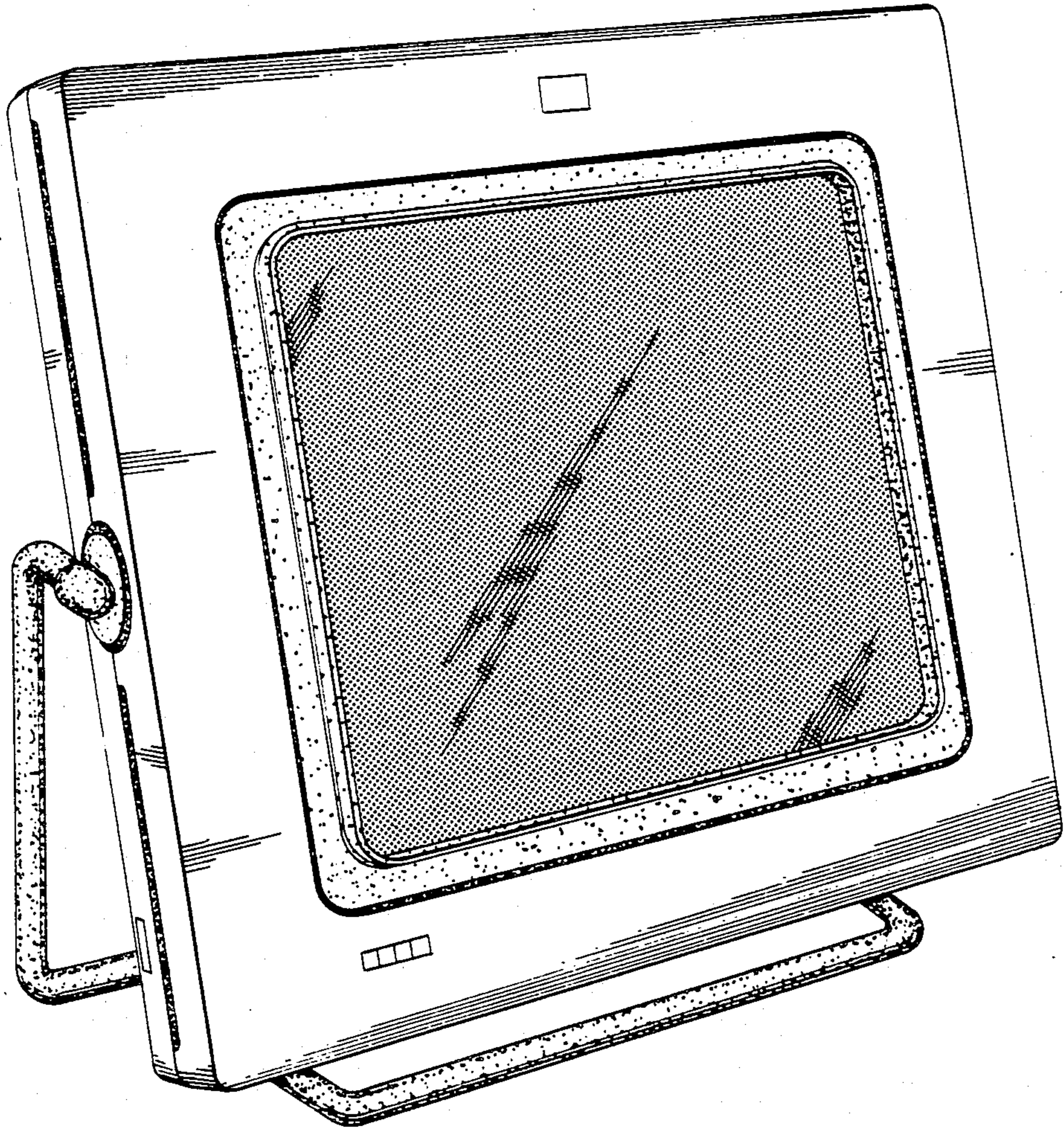


FIG. 2

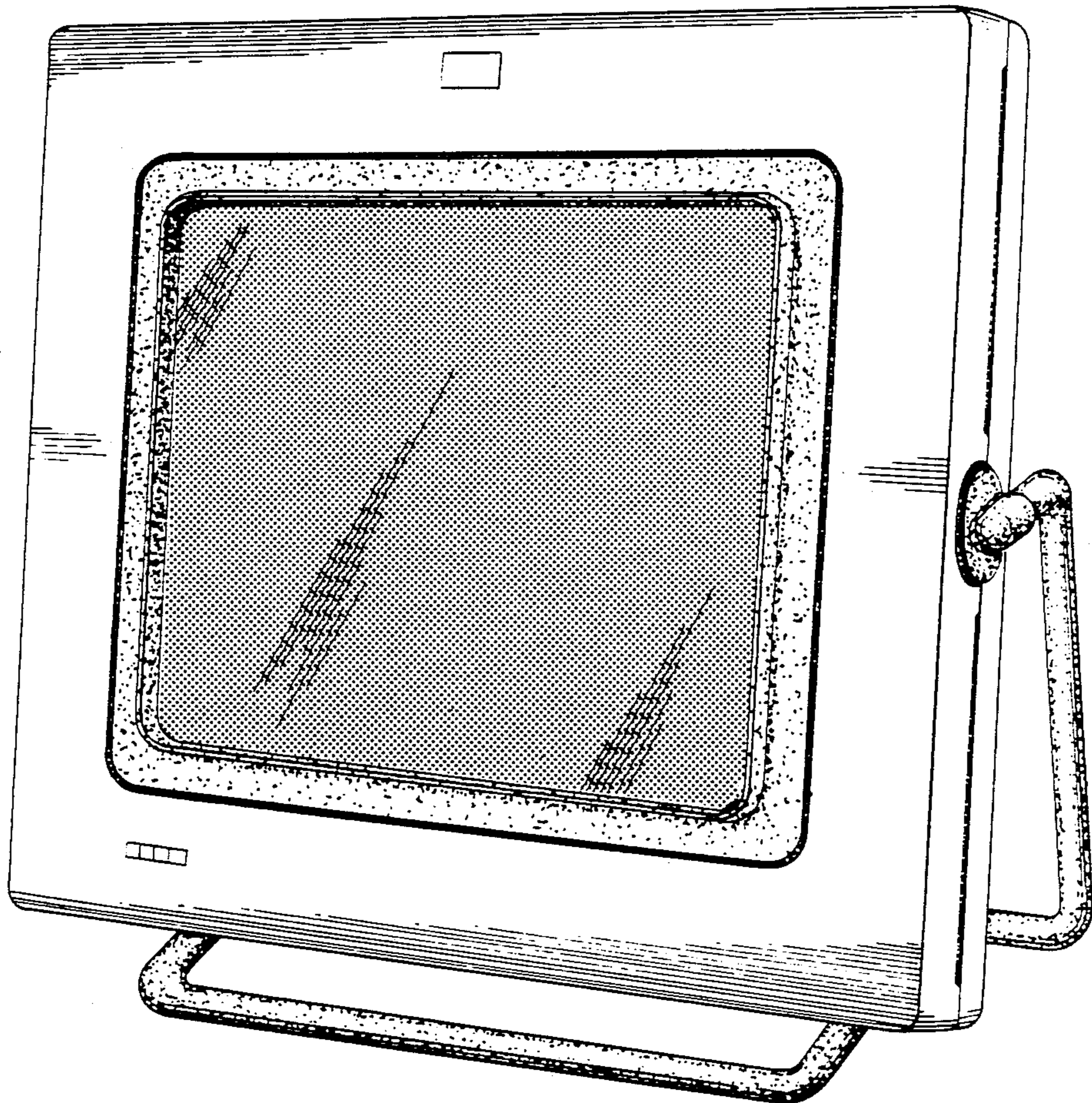


FIG. 3

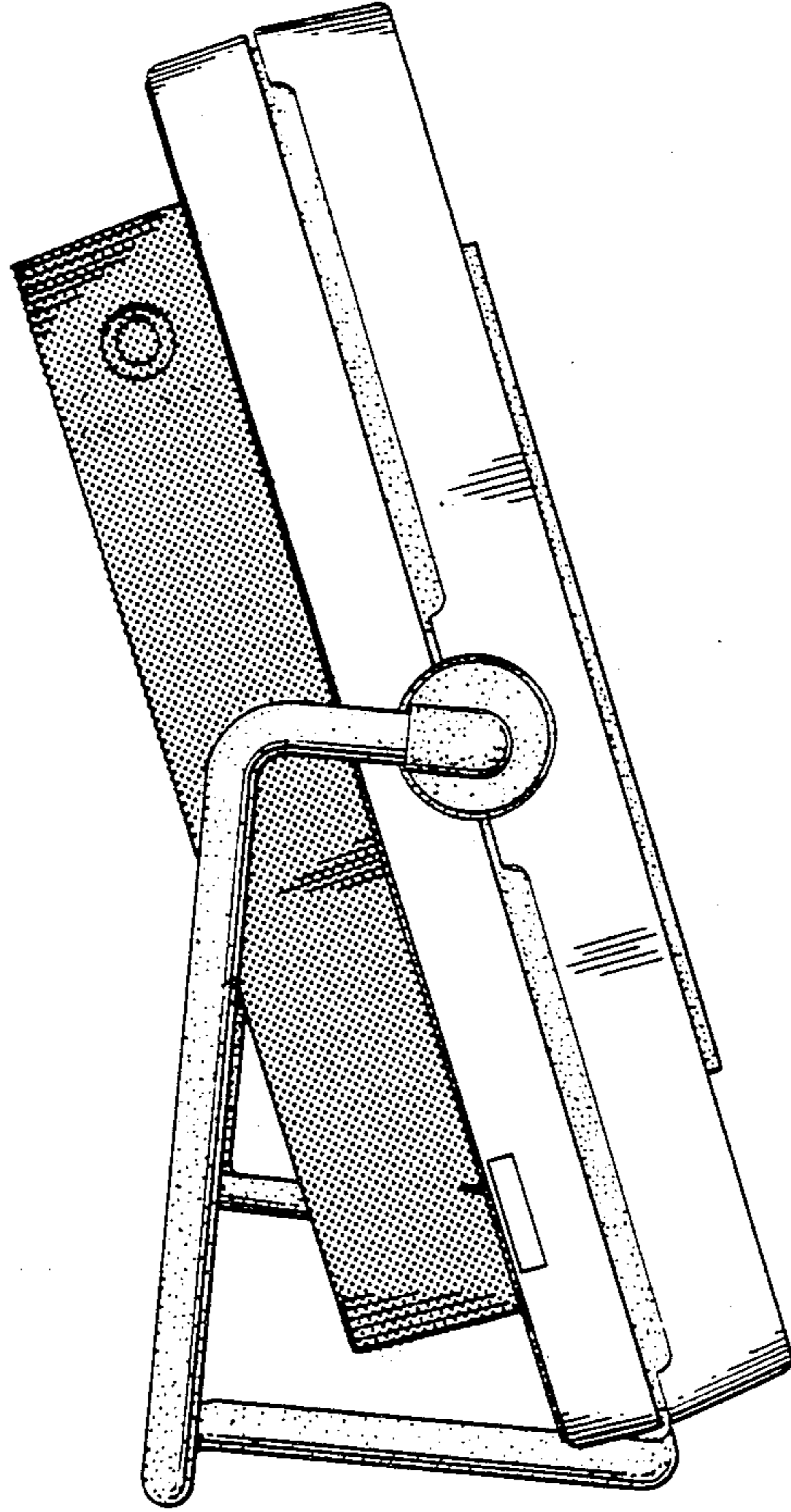


FIG. 4

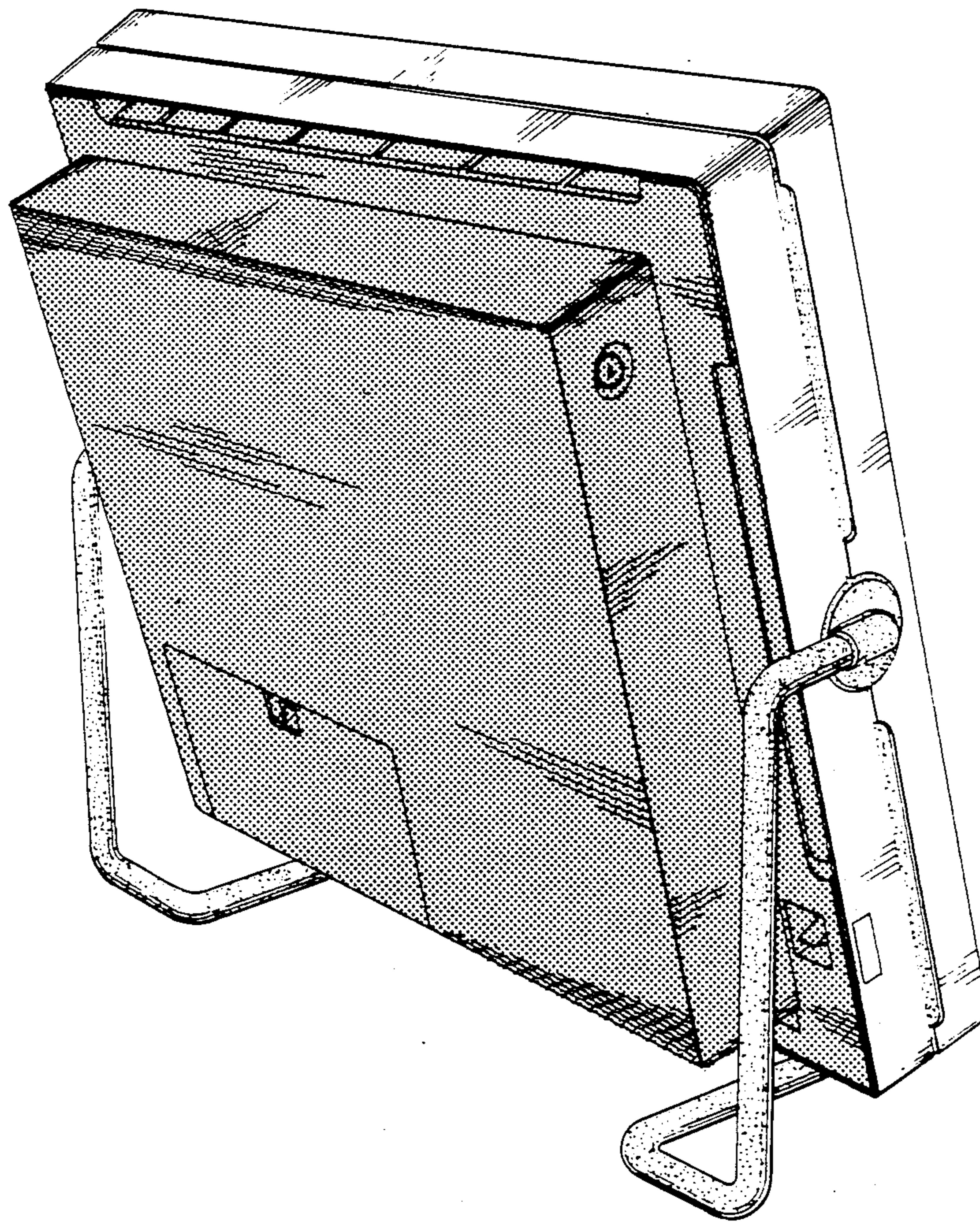


FIG. 5

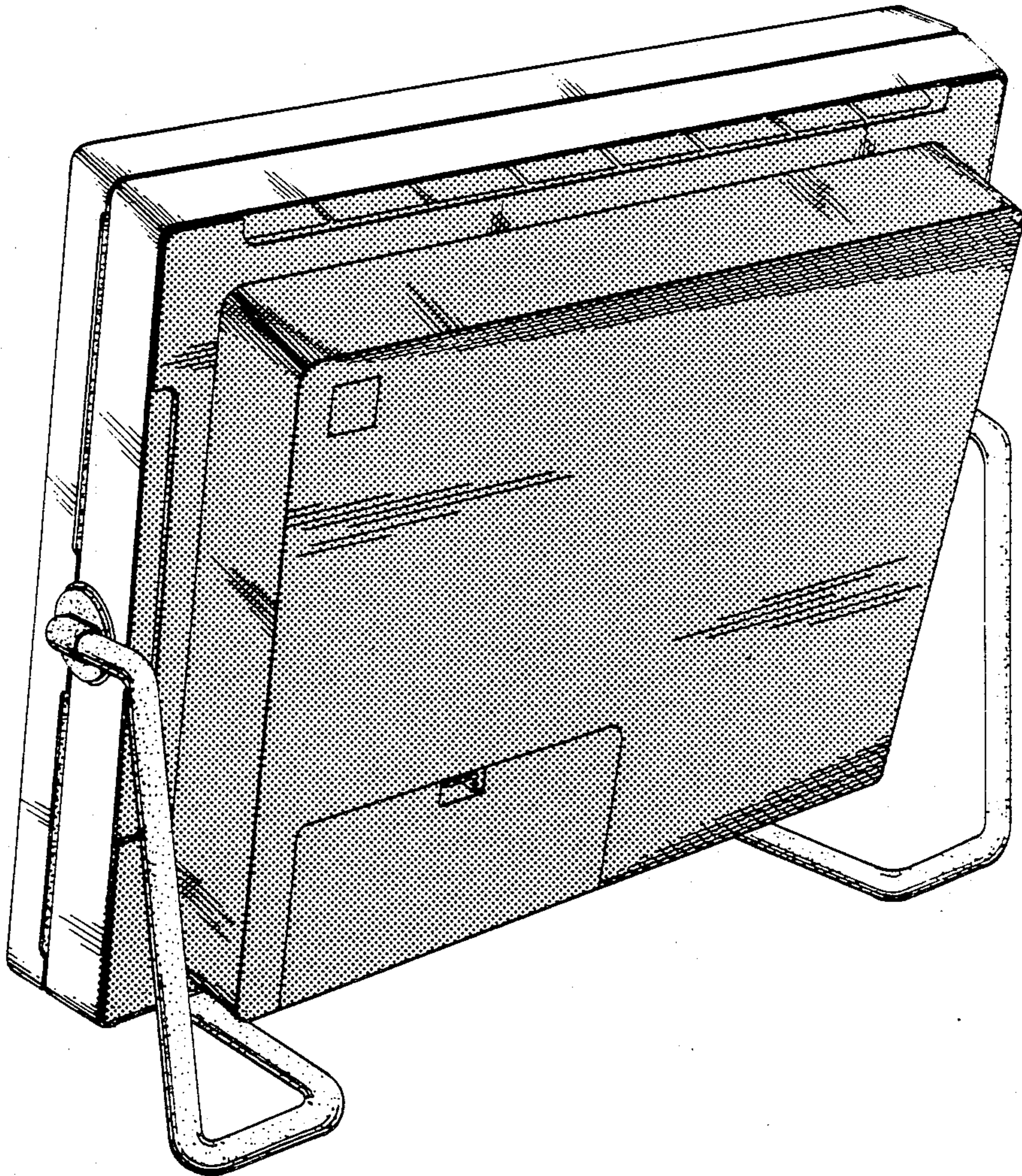
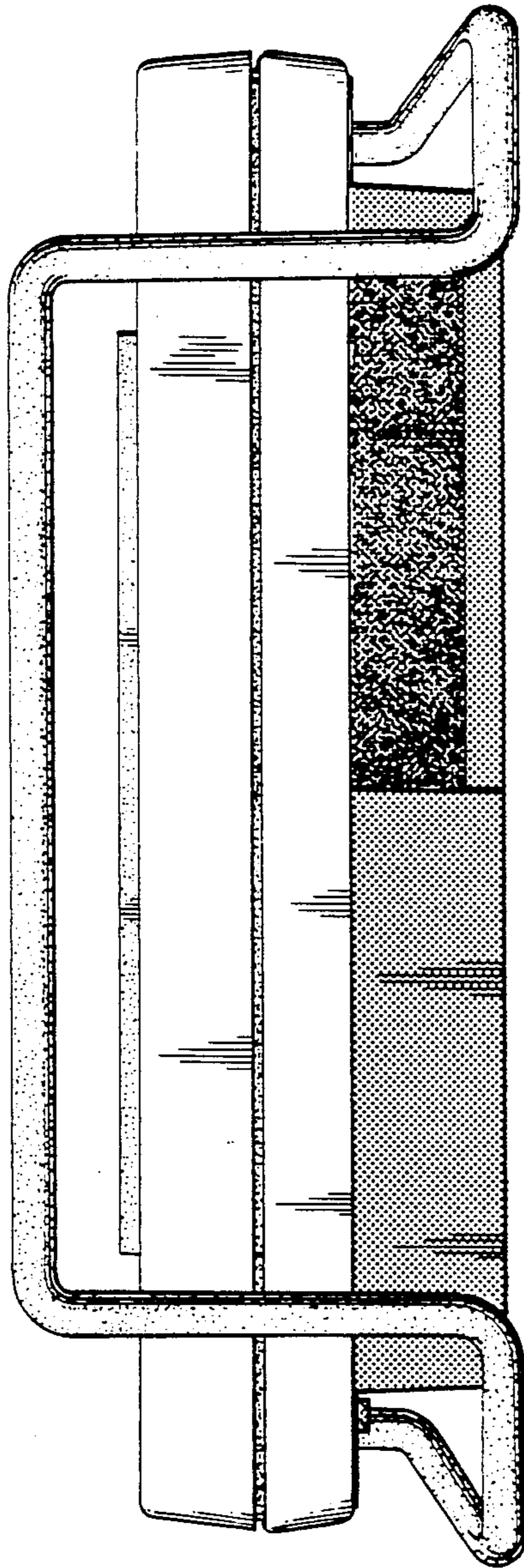


FIG. 6



UNITED STATES PATENT AND TRADEMARK OFFICE

Certificate

Patent No. D. 293,579

Patented January 5, 1988

On petition requesting issuance of a certificate for correction of inventorship pursuant to 35 USC 256, it has been found that the above-identified patent, through error and without any deceptive intent, improperly sets forth the inventorship. Accordingly, it is hereby certified that the correct inventorship of this patent is Duane V. Allen and Arnold M. Davis.

Signed and Sealed this Twenty-First Day of March 1989.

Jeffrey V. Nase,  
*Supervisory Petitions Examiner,*  
*Office of the Deputy Assistant*  
*Commissioner for Patents.*