

[54] PRINTER

[75] Inventors: Nobuki Matsumoto, Kanagawa; Kozo Sakino, Tokyo, both of Japan

[73] Assignee: Ricoh Company Ltd., Japan

[**] Term: 14 Years

[21] Appl. No.: 711,274

[22] Filed: Mar. 13, 1985

[30] Foreign Application Priority Data

Sep. 13, 1984 [JP] Japan 59-38100

[52] U.S. Cl. D14/111

[58] Field of Search D14/100, 107, 111, 114; D18/13, 22; 400/689-694

[56] References Cited

U.S. PATENT DOCUMENTS

D. 284,006 5/1986 Freijd D14/111

D. 287,730 1/1987 Kojima et al. D14/111

OTHER PUBLICATIONS

Computer Products, 10-1981, p. 44, Matrix Printer.

Primary Examiner—Susan J. Lucas

Attorney, Agent, or Firm—Guy W. Shoup

[57] CLAIM

The ornamental design for a printer, as shown and described.

DESCRIPTION

FIG. 1 is a top, front, and left side perspective view of a printer showing our new design;

FIG. 2 is a front elevational view thereof;

FIG. 3 is a right side elevational view thereof;

FIG. 4 is a rear elevational view thereof;

FIG. 5 is a bottom plan view thereof;

FIG. 6 is a top, front, and left side elevational view thereof with the front paper tray in an extended position.

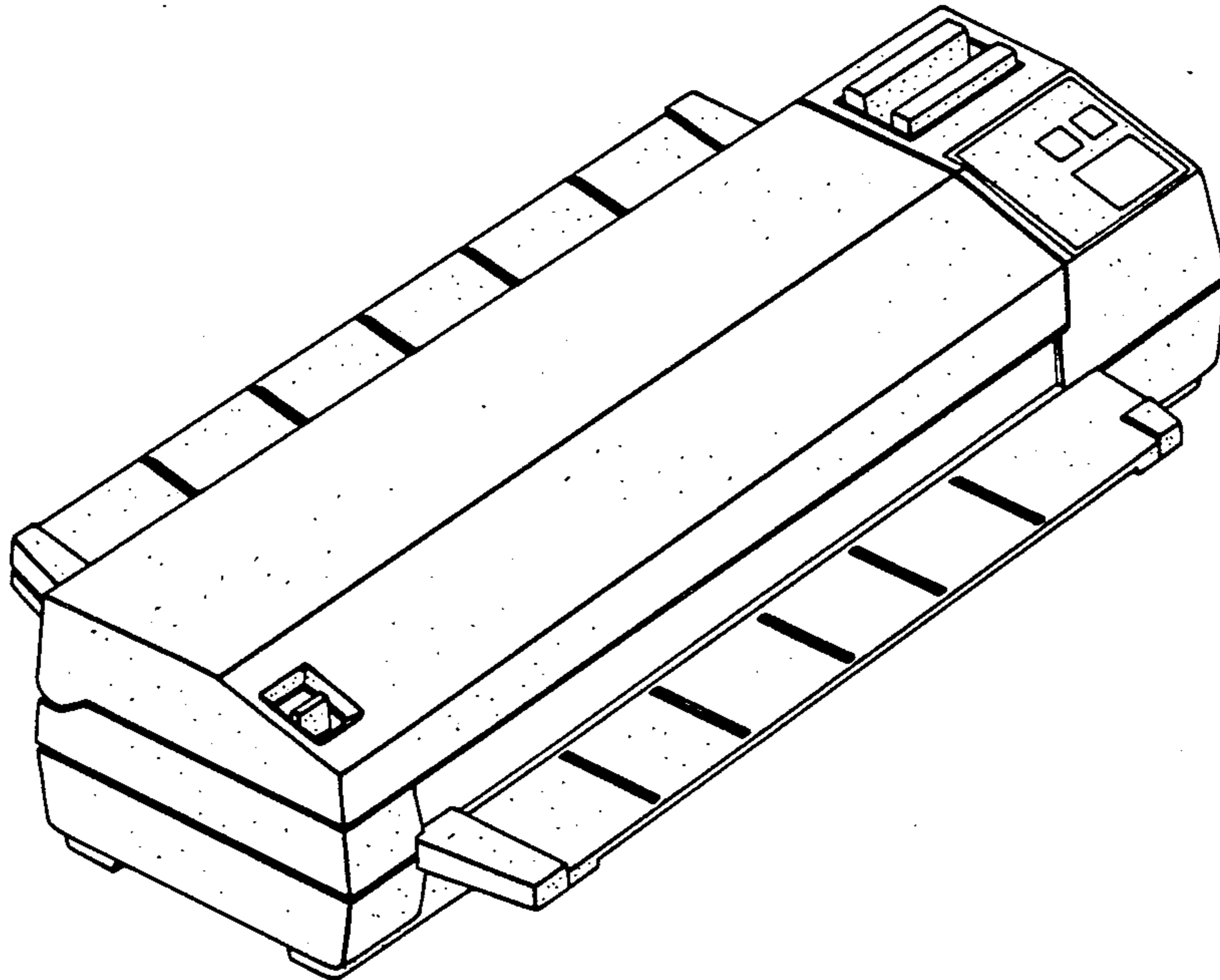


FIG. 1

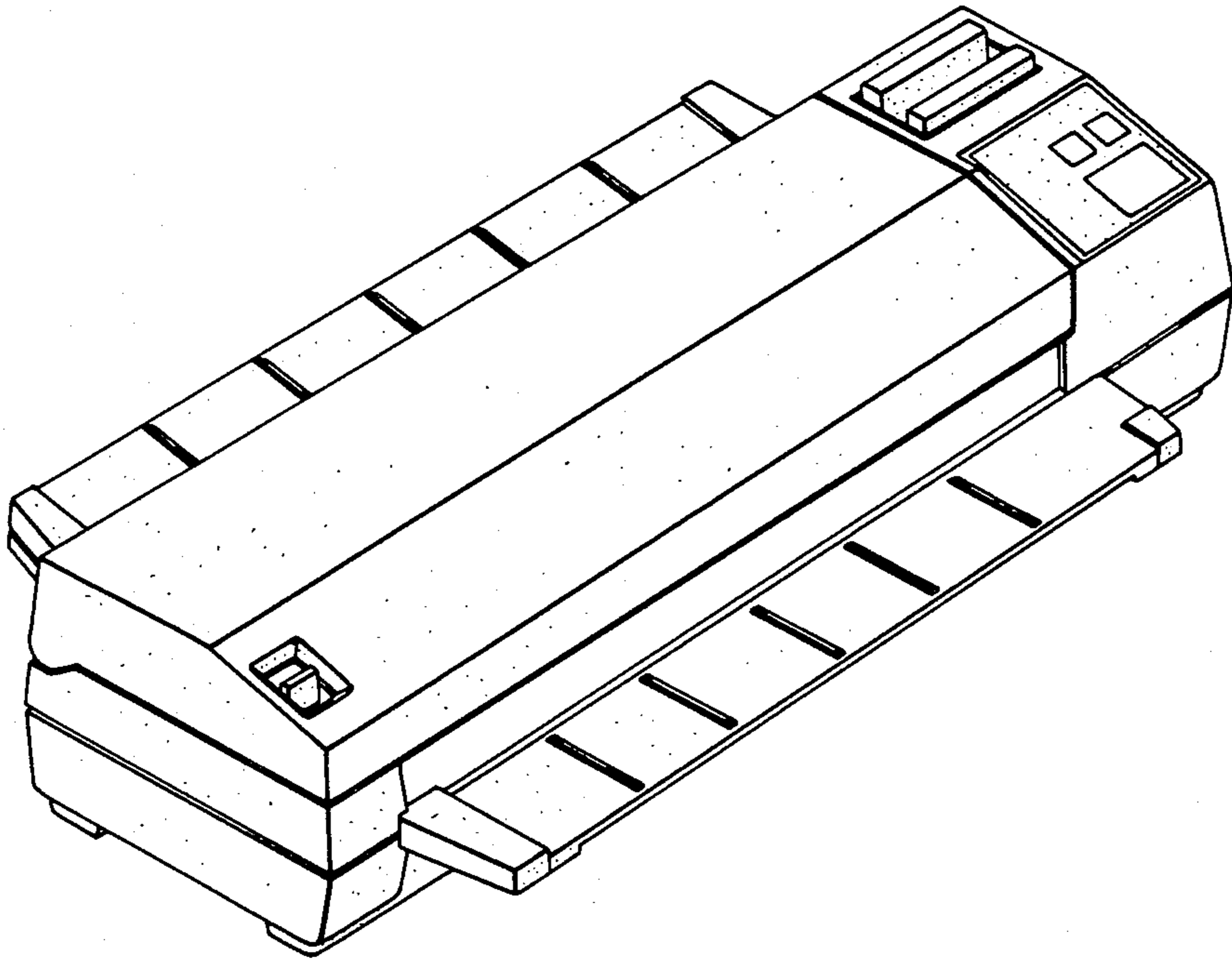


FIG. 2

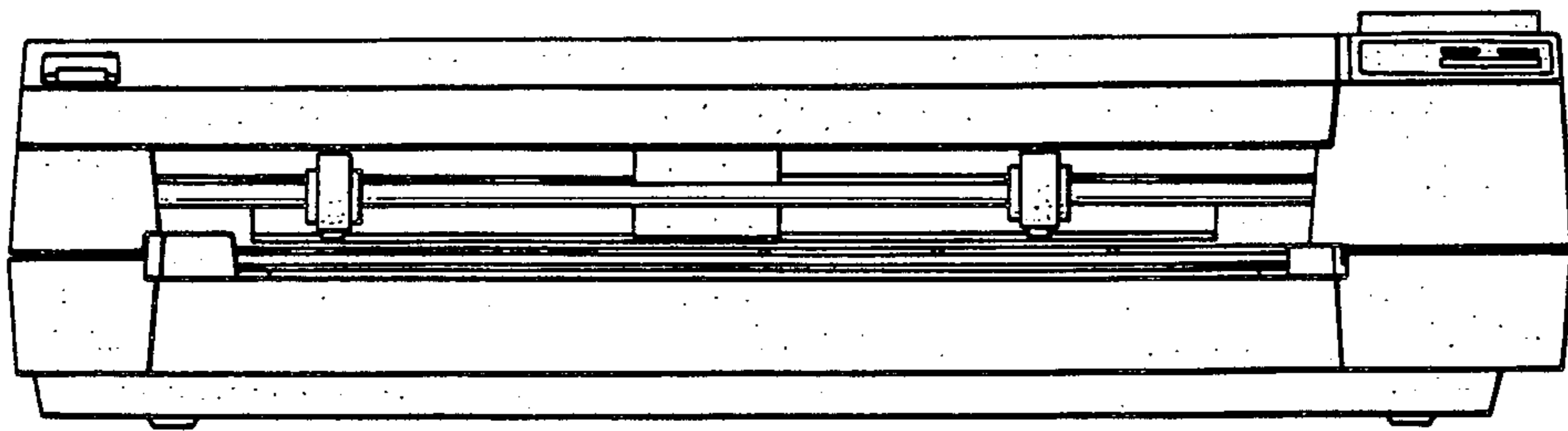


FIG. 3

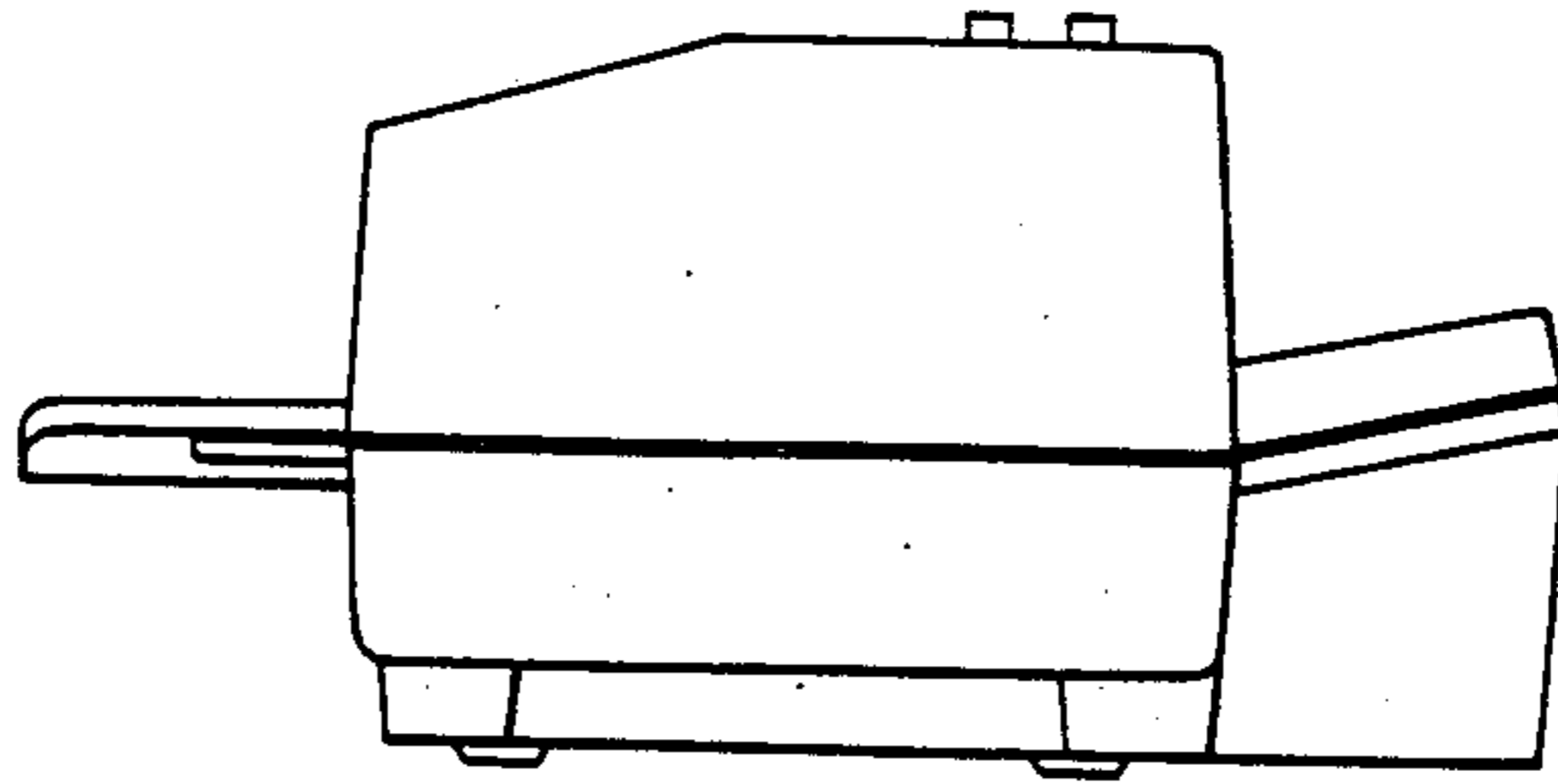


FIG. 4

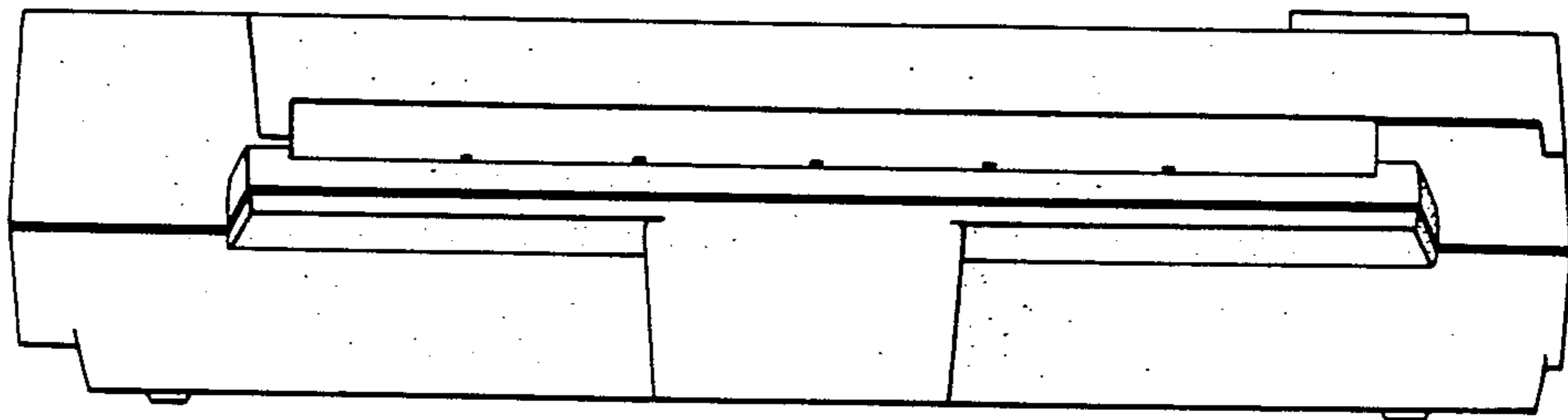


FIG. 5

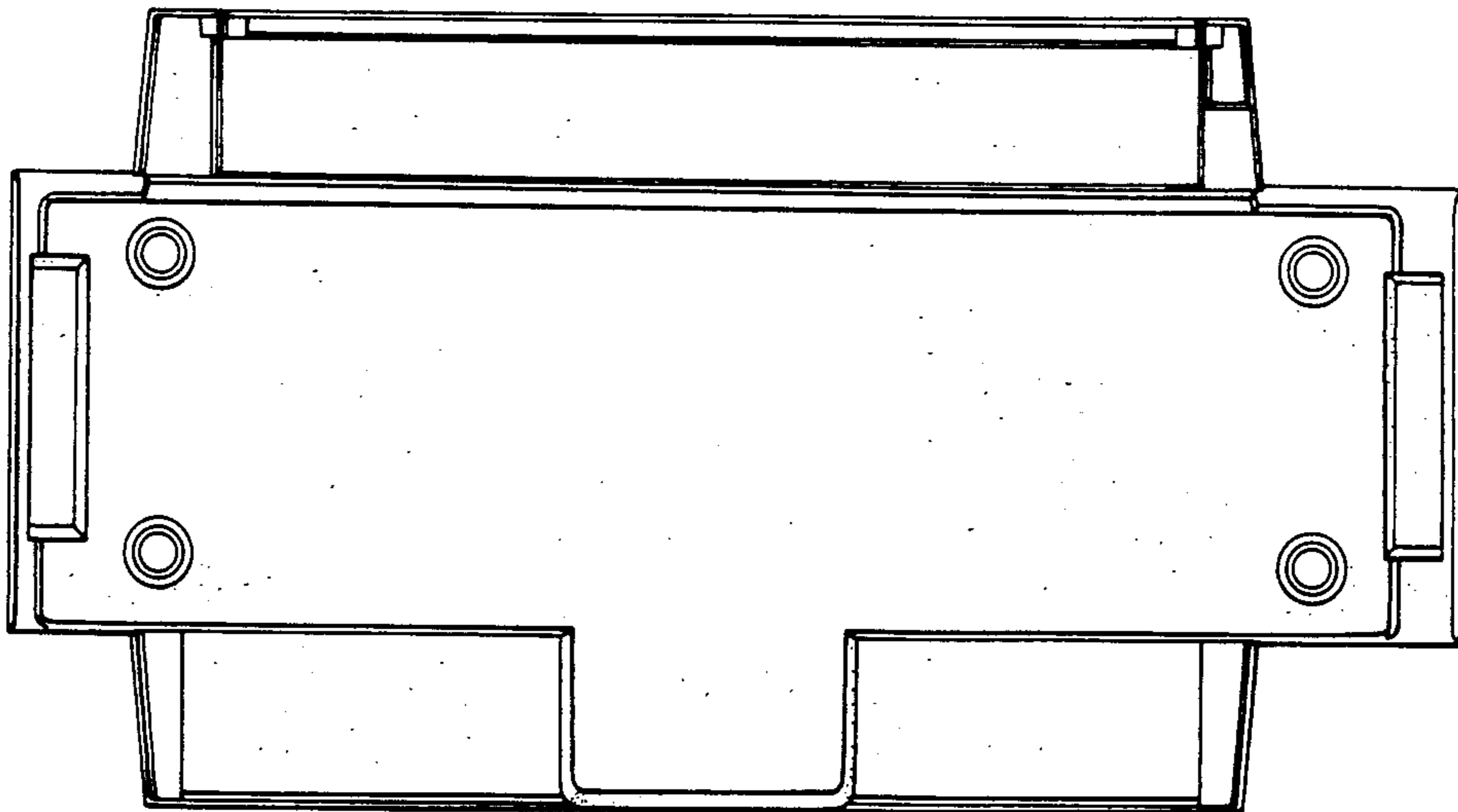


FIG. 6

