

United States Patent [19]
Gauffin

[11] **Patent Number: Des. 293,577**
[45] **Date of Patent: ** Jan. 5, 1988**

[54] **PRINTER FOR DATA TERMINALS**

[75] **Inventor: Stig Gauffin, Stockholm, Sweden**

[73] **Assignee: Telefonaktiebolaget LM Ericsson,
Stockholm, Sweden**

[**] **Term: 14 Years**

[21] **Appl. No.: 732,859**

[22] **Filed: May 10, 1985**

[30] **Foreign Application Priority Data**

Nov. 22, 1984 [SE] Sweden 84-3107

[52] **U.S. Cl. D14/111; D18/13**

[58] **Field of Search D14/100, 111, 107, 114;
D18/13, 22; 400/689-694**

[56] **References Cited**

U.S. PATENT DOCUMENTS

D. 284,007 5/1986 Freijd D14/111
D. 286,639 11/1986 Strand D14/111

OTHER PUBLICATIONS

Jade Computer Products Catalog, 1981, p. 17, Vista
Computer Co. V300.Printer.

Primary Examiner—Susan J. Lucas

Attorney, Agent, or Firm—Roberts, Spiezens & Cohen

[57] **CLAIM**

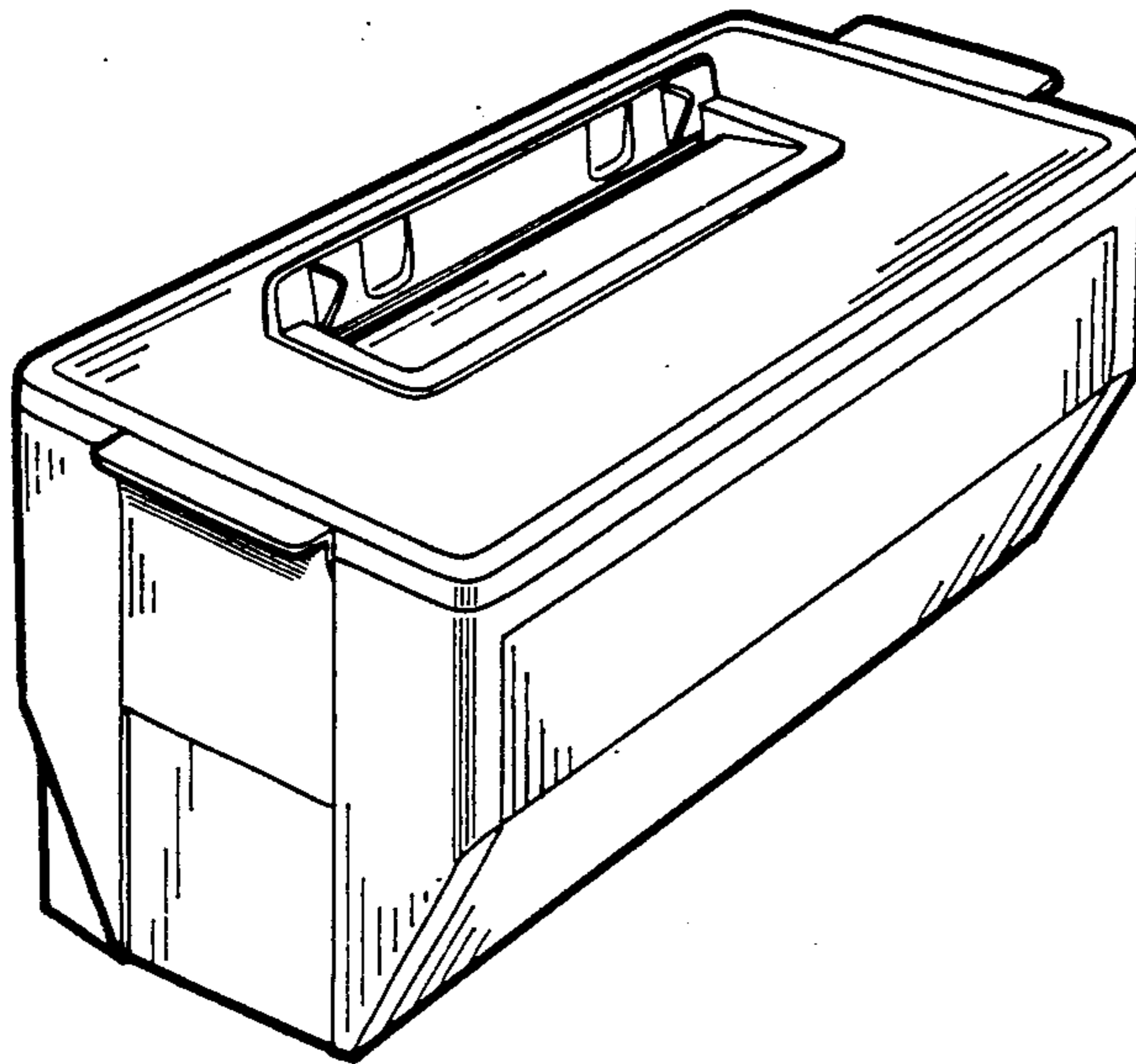
The ornamental design for a printer for data terminals,
as shown.

DESCRIPTION

FIG. 1 is a front perspective view of a printer for data
terminals showing my new design;

FIG. 2 is a rear perspective view thereof;

FIG. 3 is a bottom perspective view thereof.



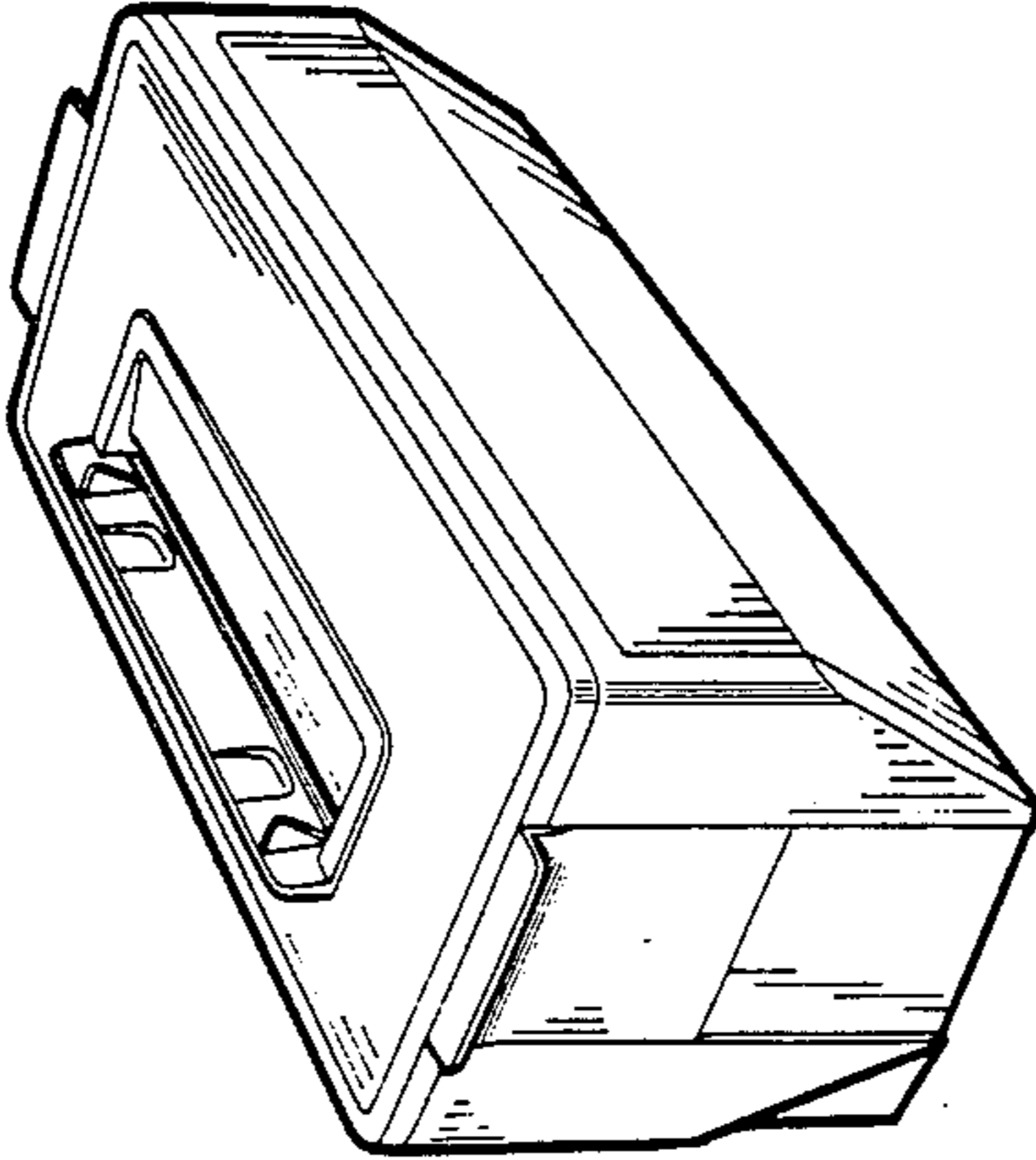


FIG. 1

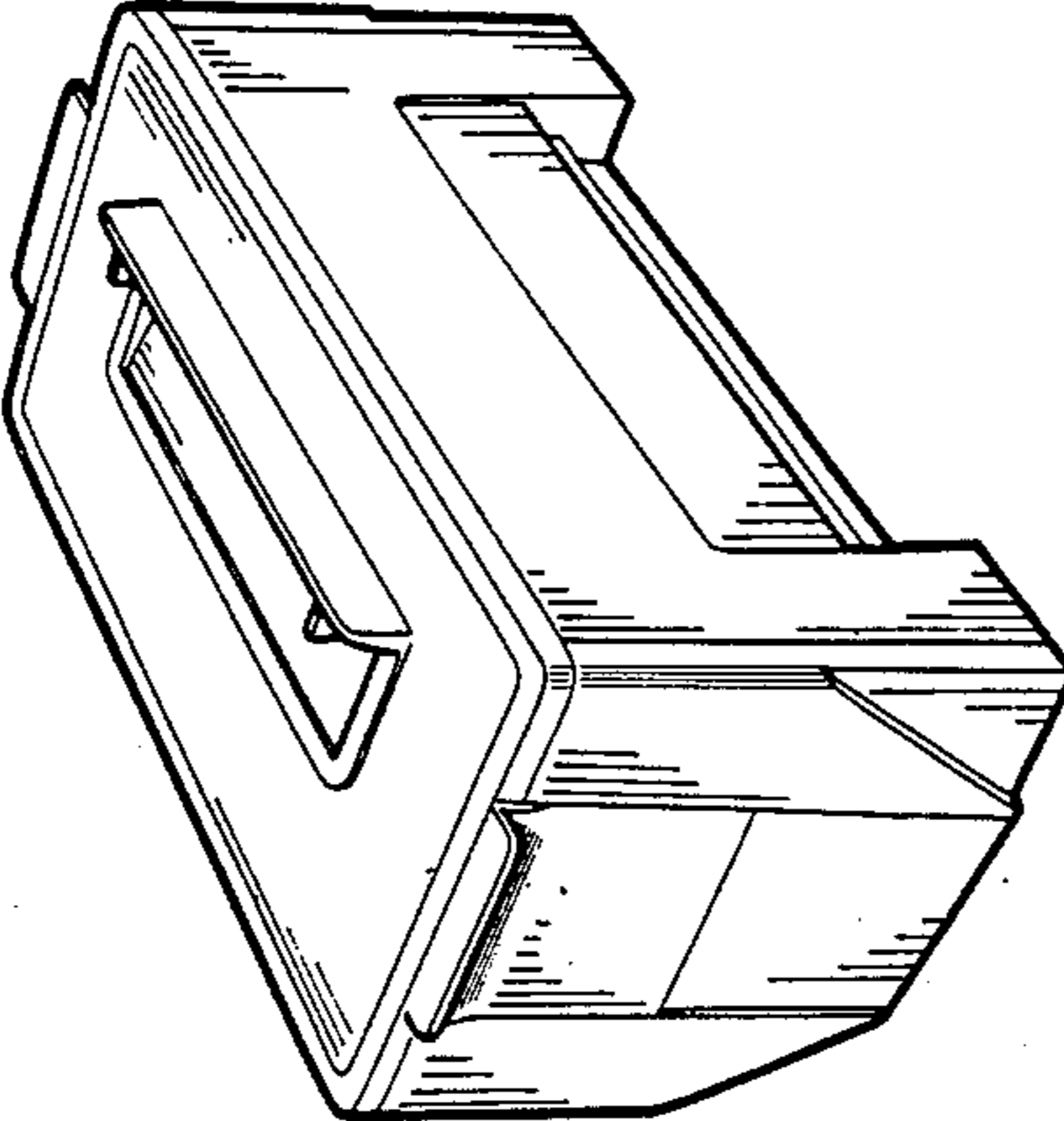


FIG. 2

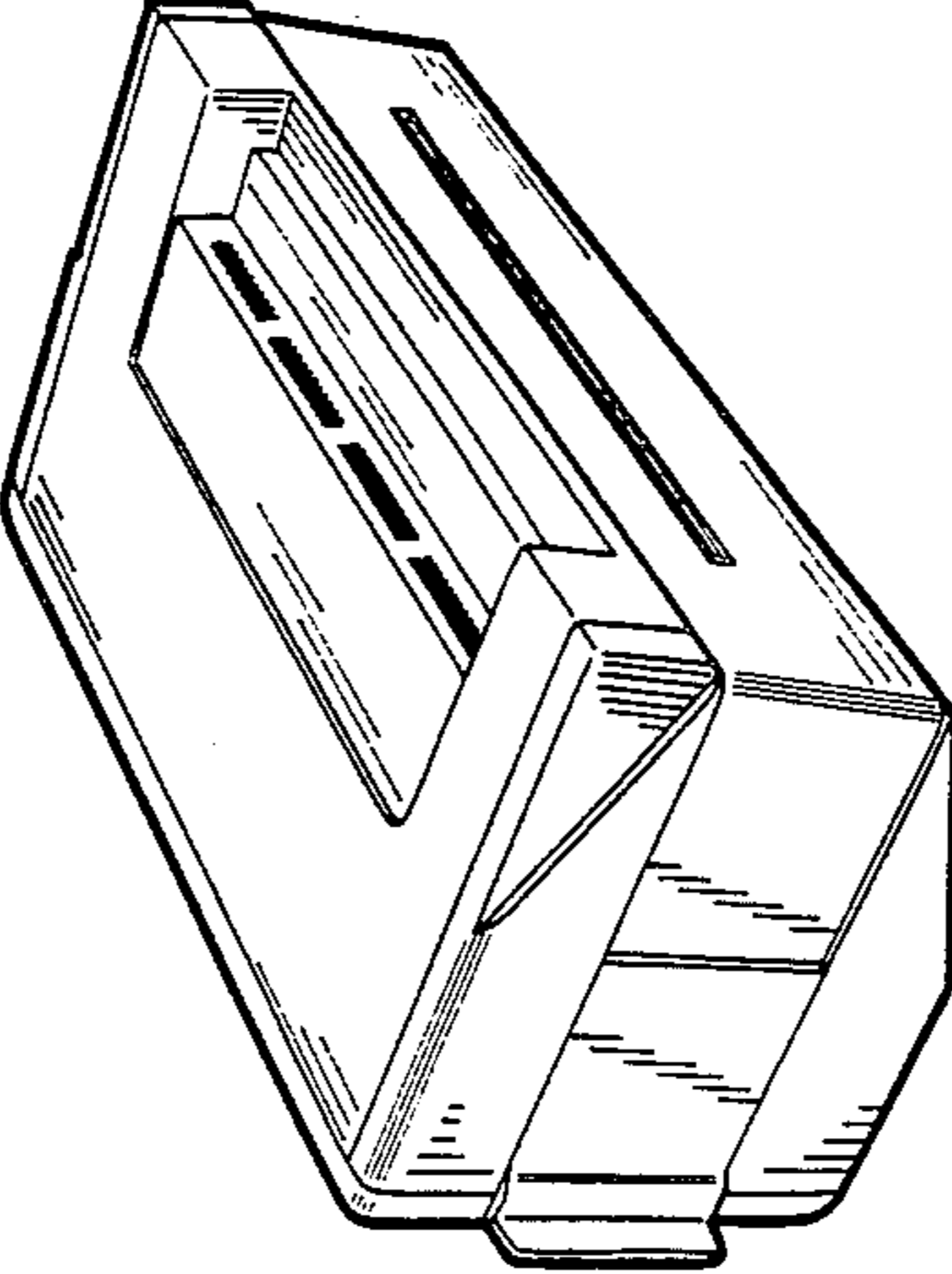


FIG. 3