

[54] IMAGE SCANNER FOR ELECTRONIC COPYING MACHINE

[75] Inventor: Kunio Hara, Chiba, Japan

[73] Assignee: Kabushiki Kaisha Toshiba, Kawasaki, Japan

[\*\*] Term: 14 Years

[21] Appl. No.: 793,299

[22] Filed: Oct. 31, 1985

[30] Foreign Application Priority Data

May 2, 1985 [JP] Japan ..... 60-17878

[52] U.S. Cl. .... D14/107; D14/94; D16/32

[58] Field of Search ..... D14/94, 99, 107, 114; D16/27, 30, 31, 32; 358/256, 285, 286; 235/454, 470; 250/566

[56] References Cited

U.S. PATENT DOCUMENTS

- D. 284,475 7/1986 Manabe ..... D14/107
- D. 286,296 10/1986 Hara et al. .... D14/94 X
- 3,600,557 8/1971 Zappia ..... 235/470

OTHER PUBLICATIONS

The Dempa Sinbun Showing Cannon's New Copying Machine, 5/25/84 Japan.

Canon's Laser Copier No-9030 Catalogue, Japan.

Hitachi Kiko's Image Scanner SC01 Catalogue obtained 9/26/84 Japan.

Ricoh's Image Scanner IS20 Catalogue obtained 3/28/85 Japan.

Primary Examiner—Bernard Ansher

Assistant Examiner—Theodore M. Shooman

Attorney, Agent, or Firm—Banner, Birch, McKie and Beckett

[57] CLAIM

The ornamental design for an image scanner for electronic copying machine, as shown.

DESCRIPTION

FIG. 1 is a top, front and left side perspective view of an image scanner for electronic copying machine showing my new design,

FIG. 2 is a front elevational view thereof,

FIG. 3 is a top plan view thereof,

FIG. 4 is a rear elevational view thereof,

FIG. 5 is a bottom plan view thereof,

FIG. 6 is a right side elevational view thereof, and

FIG. 7 is a left side elevational view thereof.

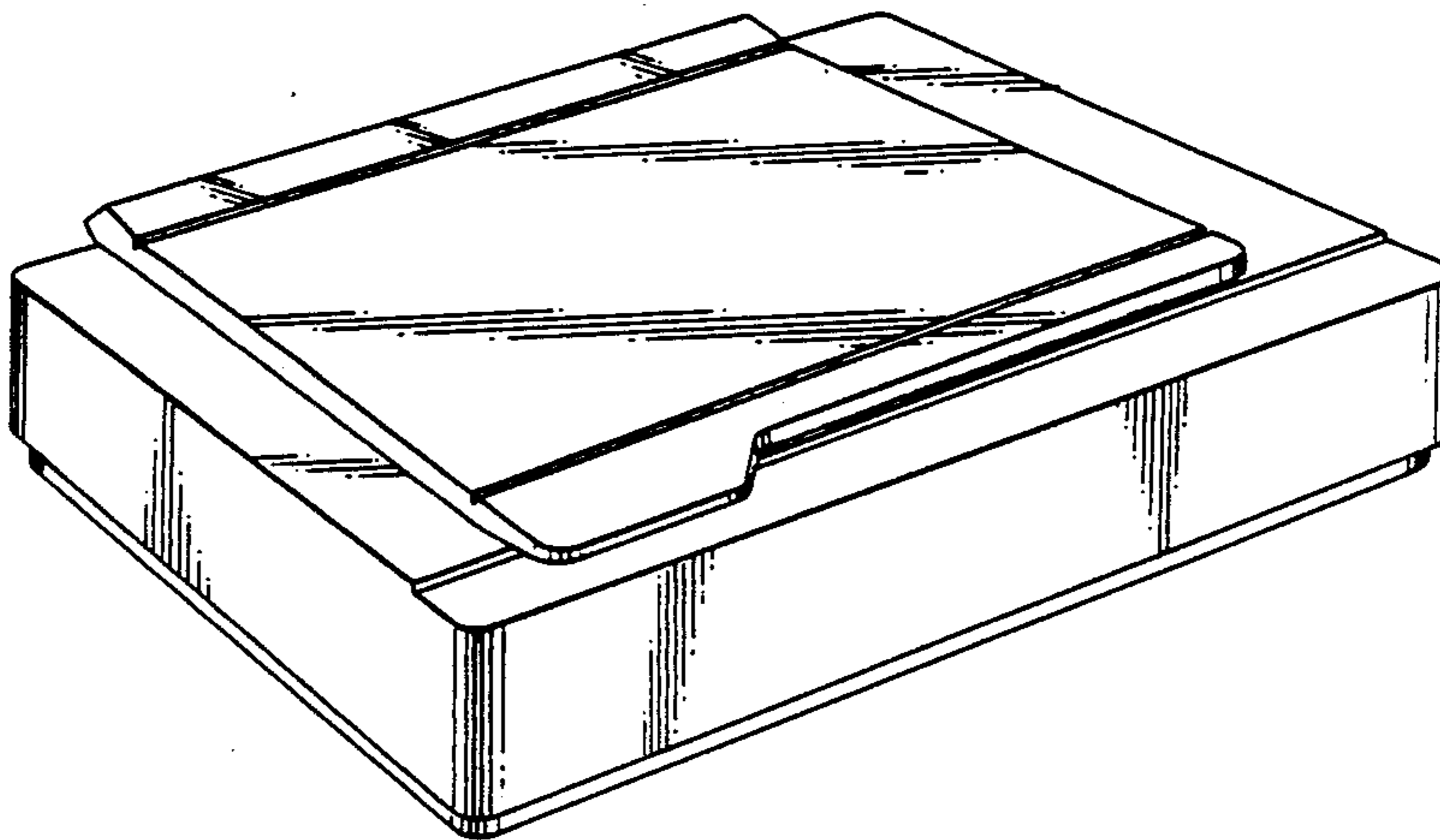


FIG. 1

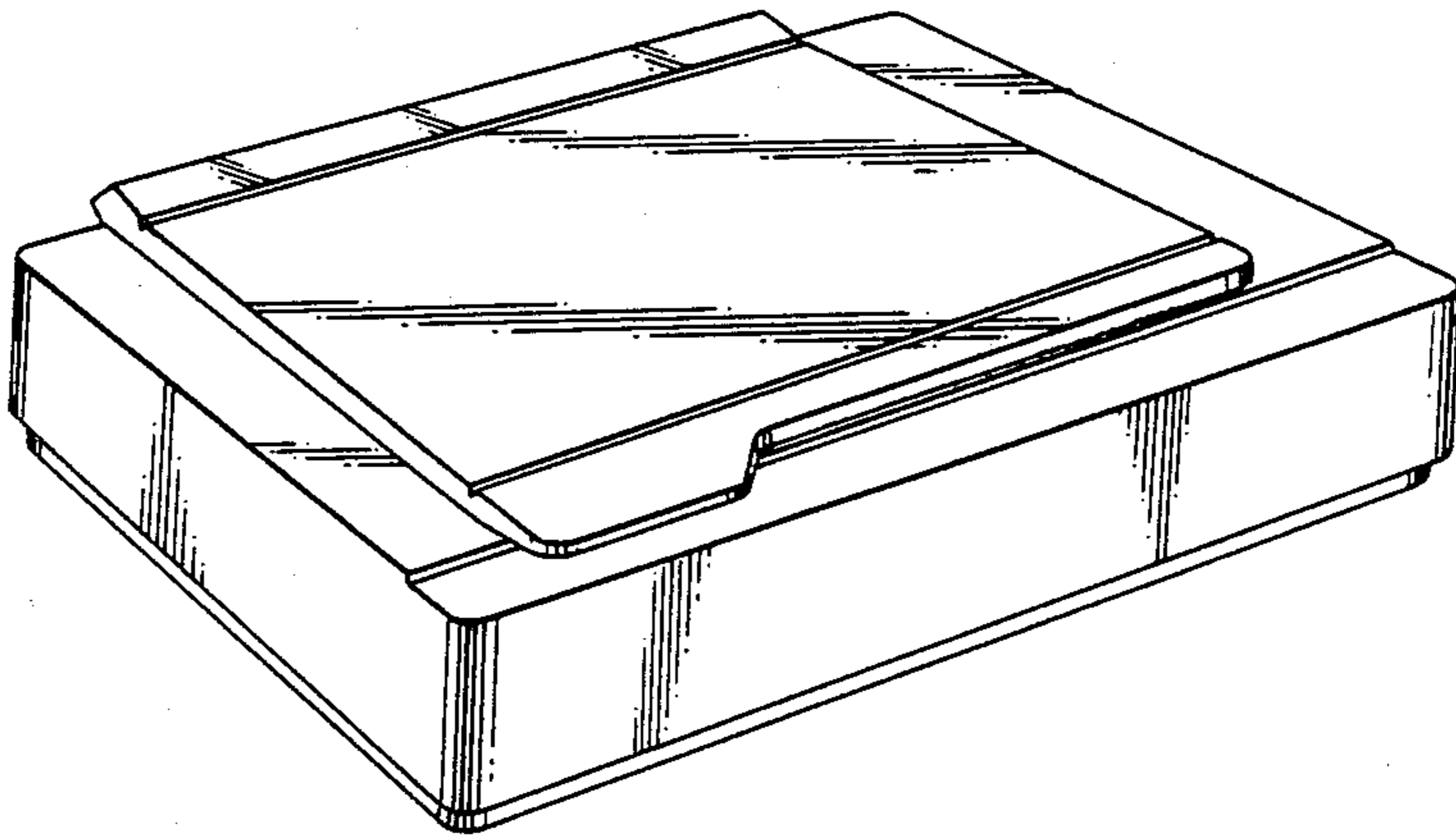


FIG. 2

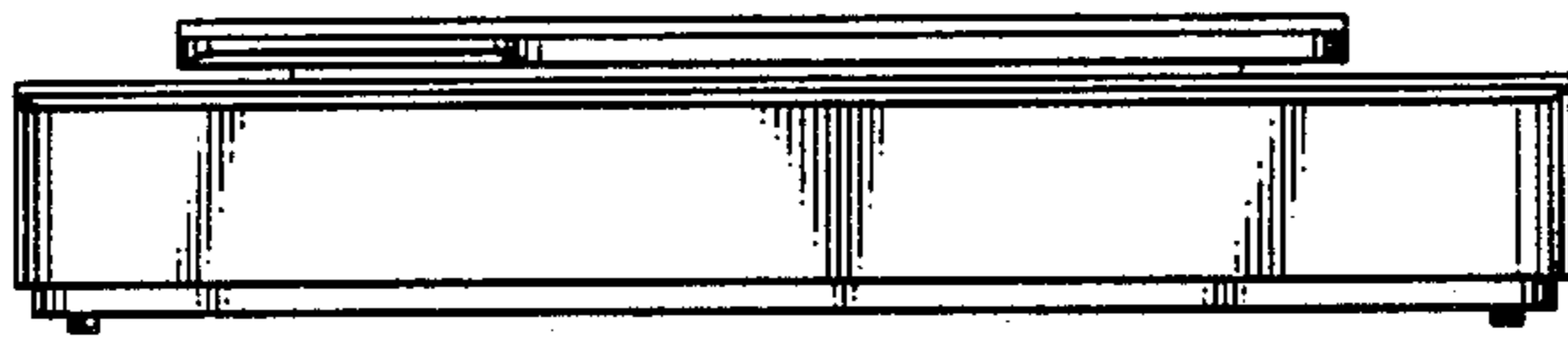


FIG. 3

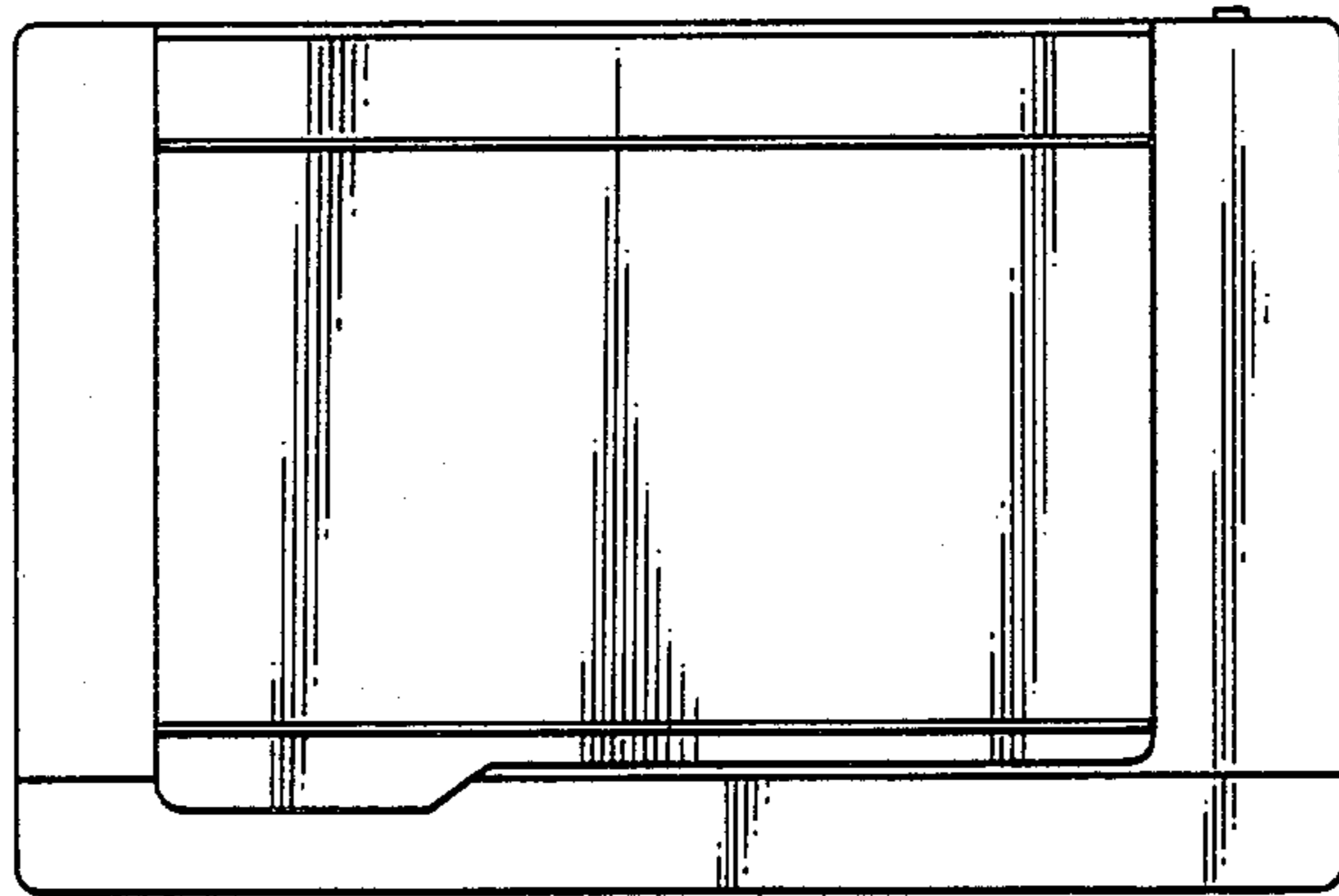


FIG. 4

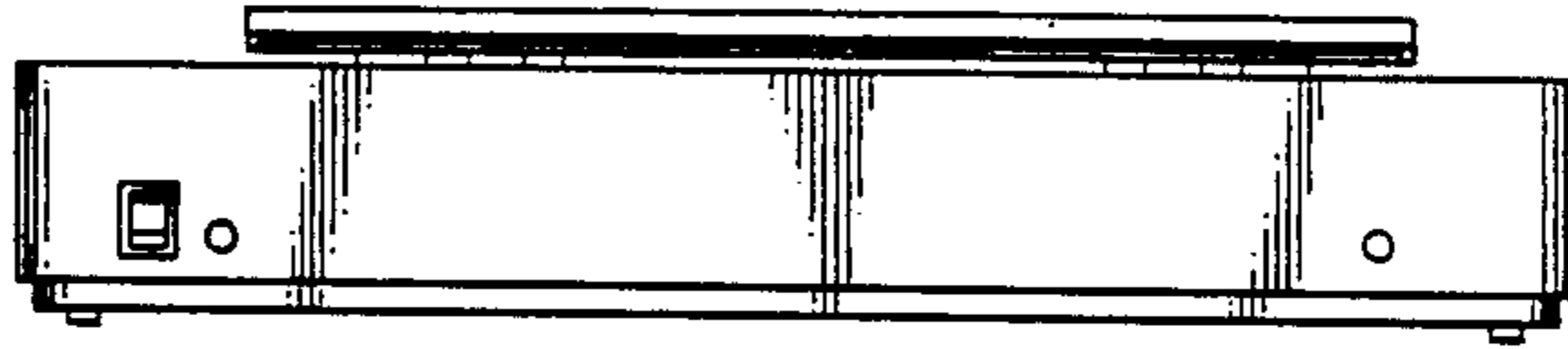


FIG. 5

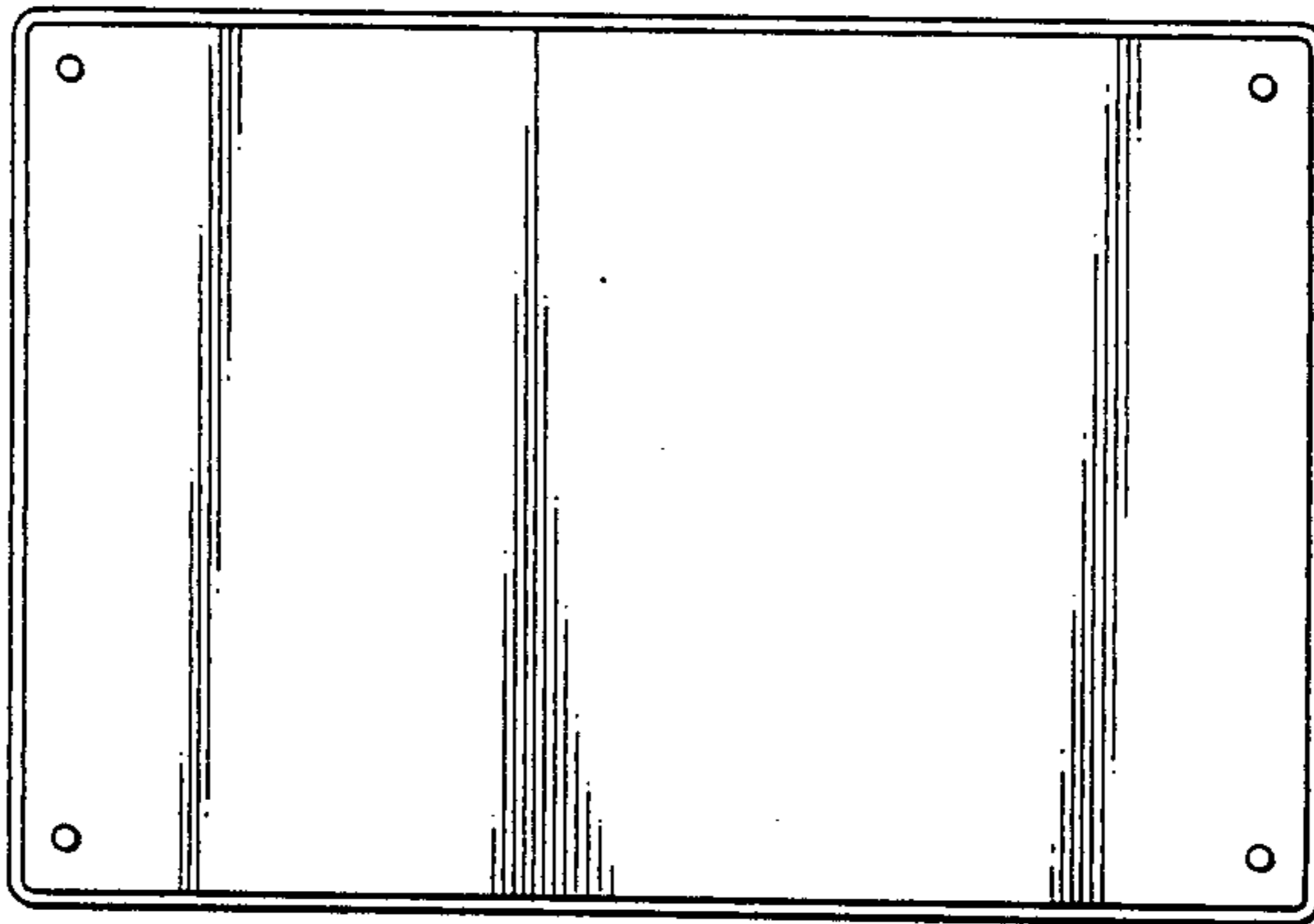


FIG. 6

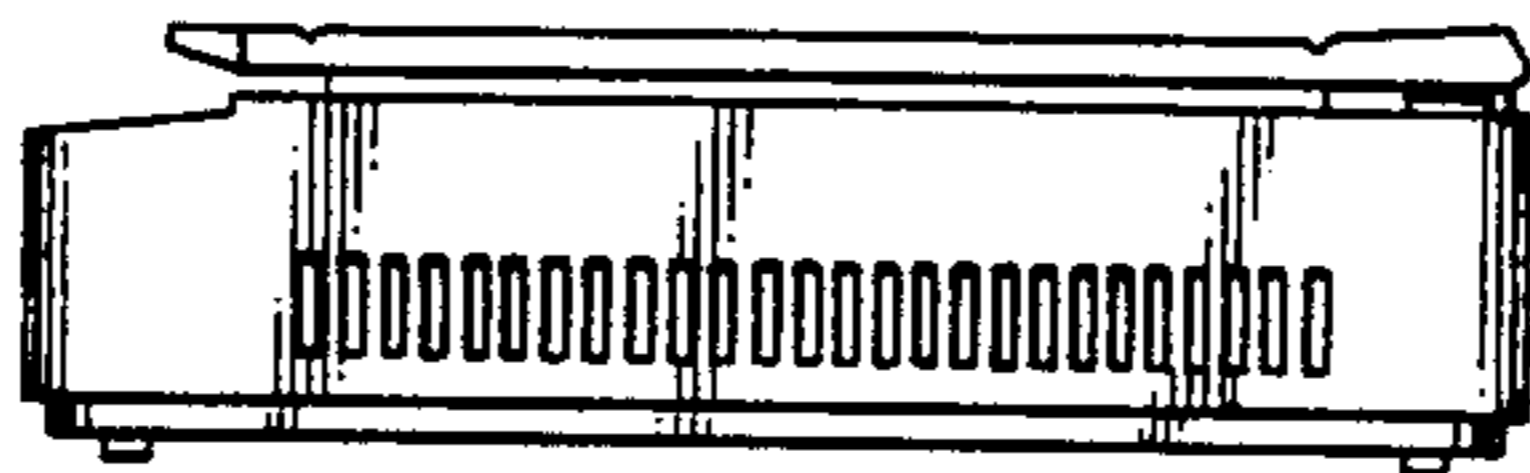


FIG. 7

