

[54] DOWN CONVERTER FOR A SATELLITE RECEIVER

[75] Inventor: Kazuyoshi Nakayama, Anagoya, Japan

[73] Assignee: Masprodenkoh Kabushikikaisha, Japan

[**] Term: 14 Years

[21] Appl. No.: 805,180

[22] Filed: Nov. 21, 1985

[30] Foreign Application Priority Data

Aug. 28, 1985 [JP] Japan 60-36316

[52] U.S. Cl. D14/90; D14/99

[58] Field of Search D14/86-91, D14/99; 343/840, 907, 786, 872, 912, 914, 915

[56] References Cited

U.S. PATENT DOCUMENTS

D. 288,322 2/1987 Goodman et al. D14/90
2,827,629 3/1958 Rounsefell 34/912 X

Primary Examiner—Bernard Ansher
Assistant Examiner—Theodore M. Shooman
Attorney, Agent, or Firm—William A. Drucker

[57] CLAIM

The ornamental design for a down converter for a satellite receiver, as shown and described.

DESCRIPTION

FIG. 1 is a top, front and left side perspective view of a down converter for a satellite receiver showing my new design;

FIG. 2 is a bottom, rear and right side perspective view thereof;

FIG. 3 is a front elevational view thereof;

FIG. 4 is a rear elevational view thereof;

FIG. 5 is a top plan view thereof, the bottom being a mirror image;

FIG. 6 is a left side elevational view thereof; and,

FIG. 7 is a right side elevational view thereof.

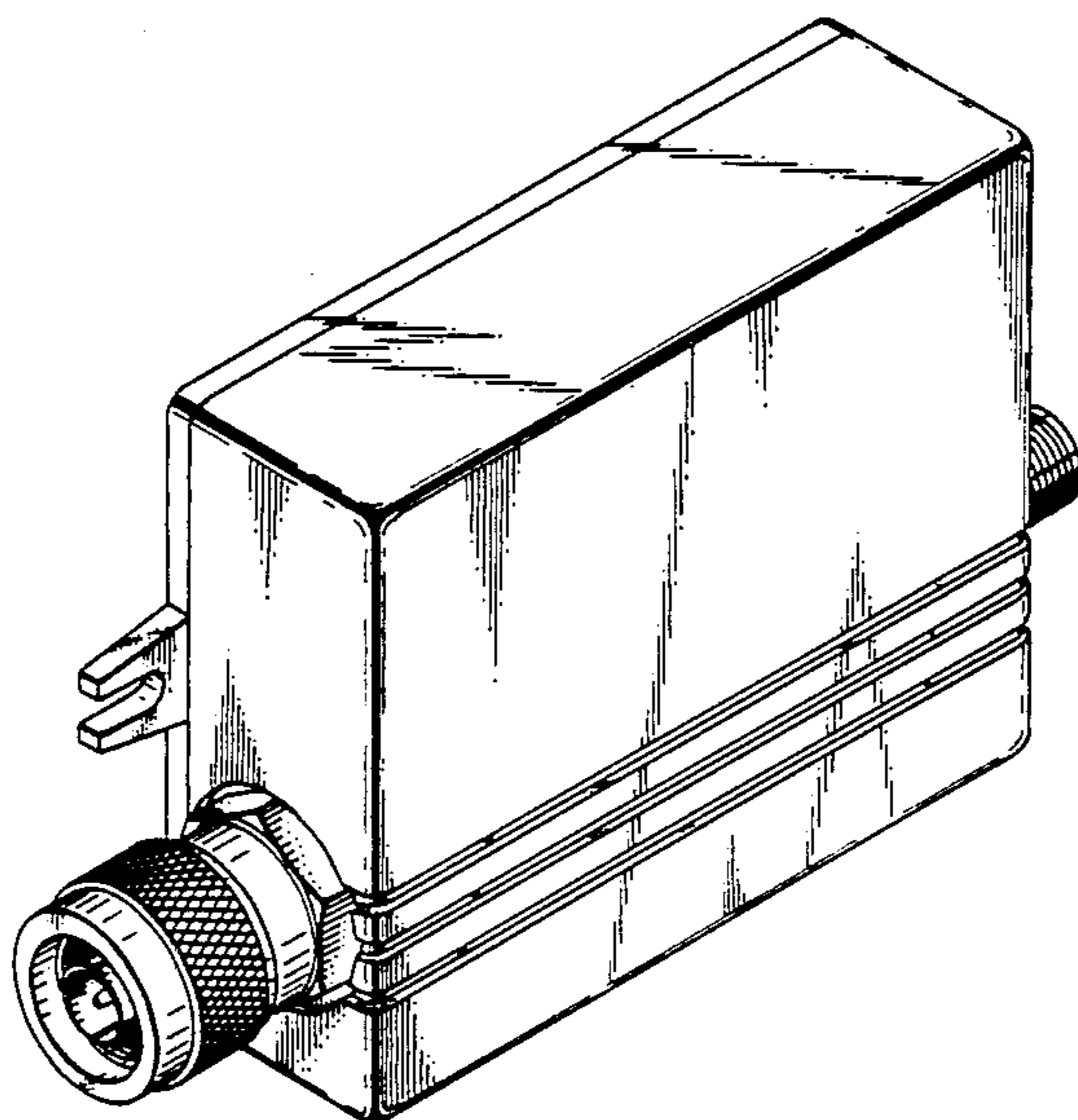


FIG. 1

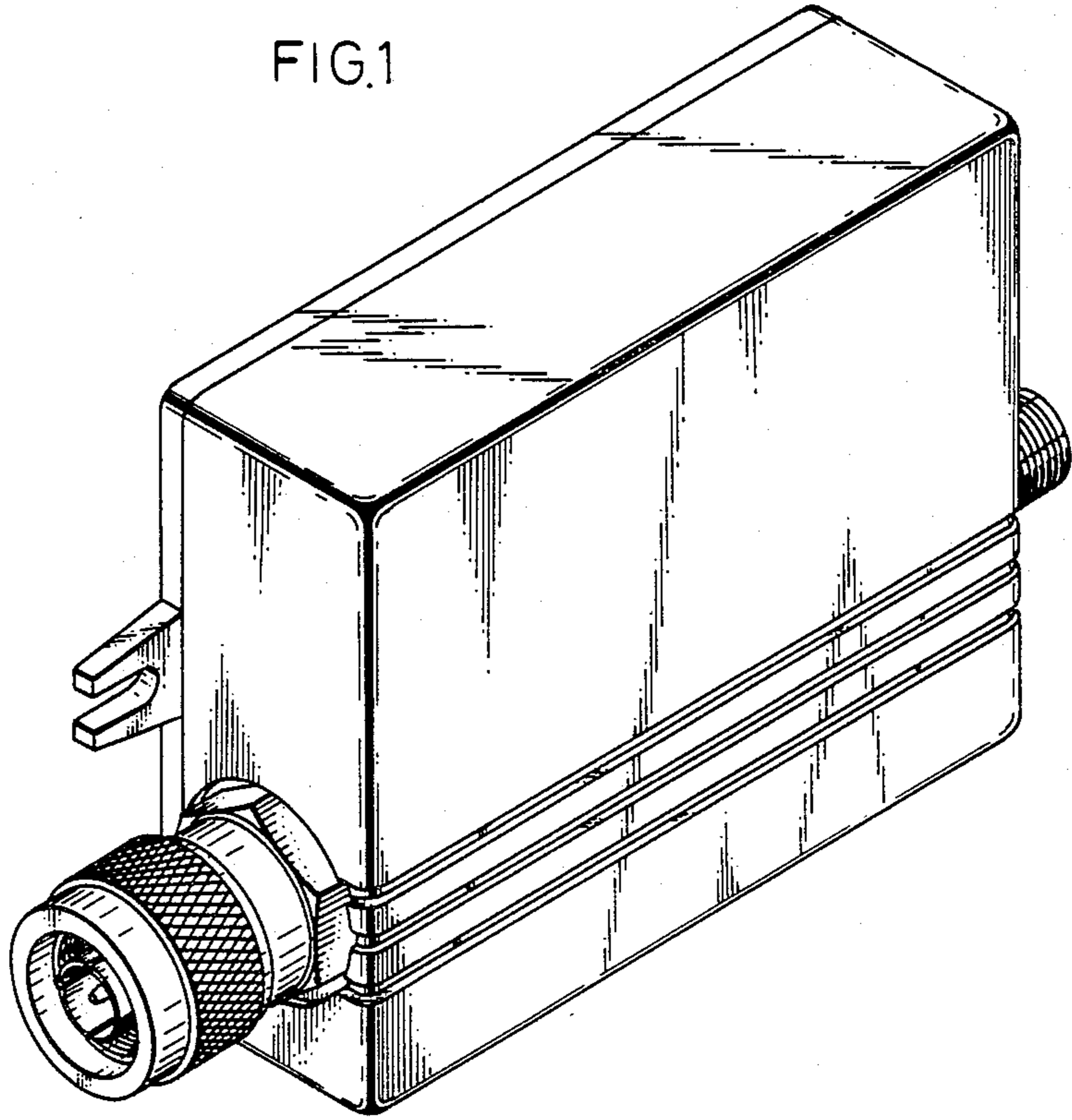


FIG. 2

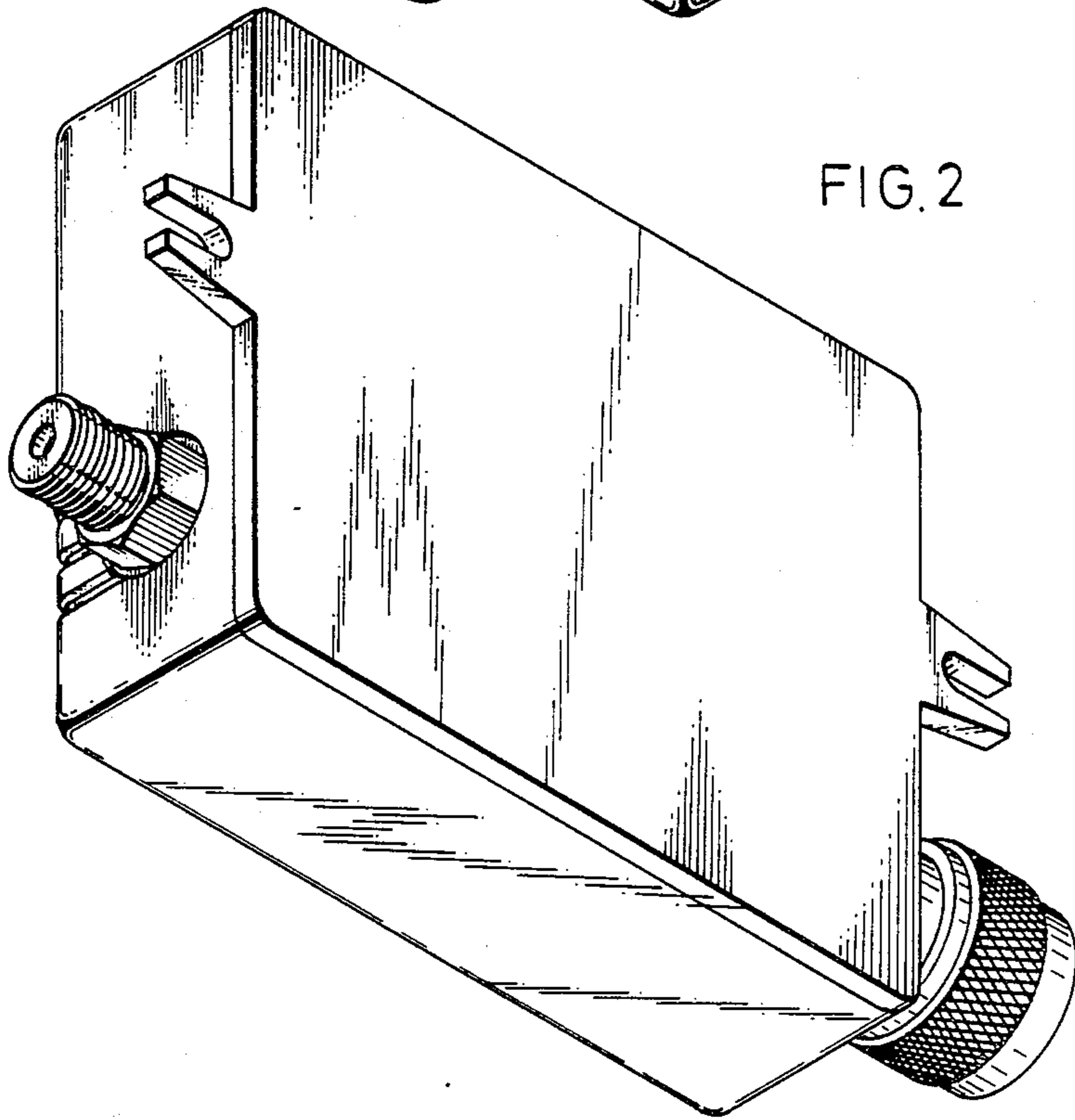


FIG. 3.

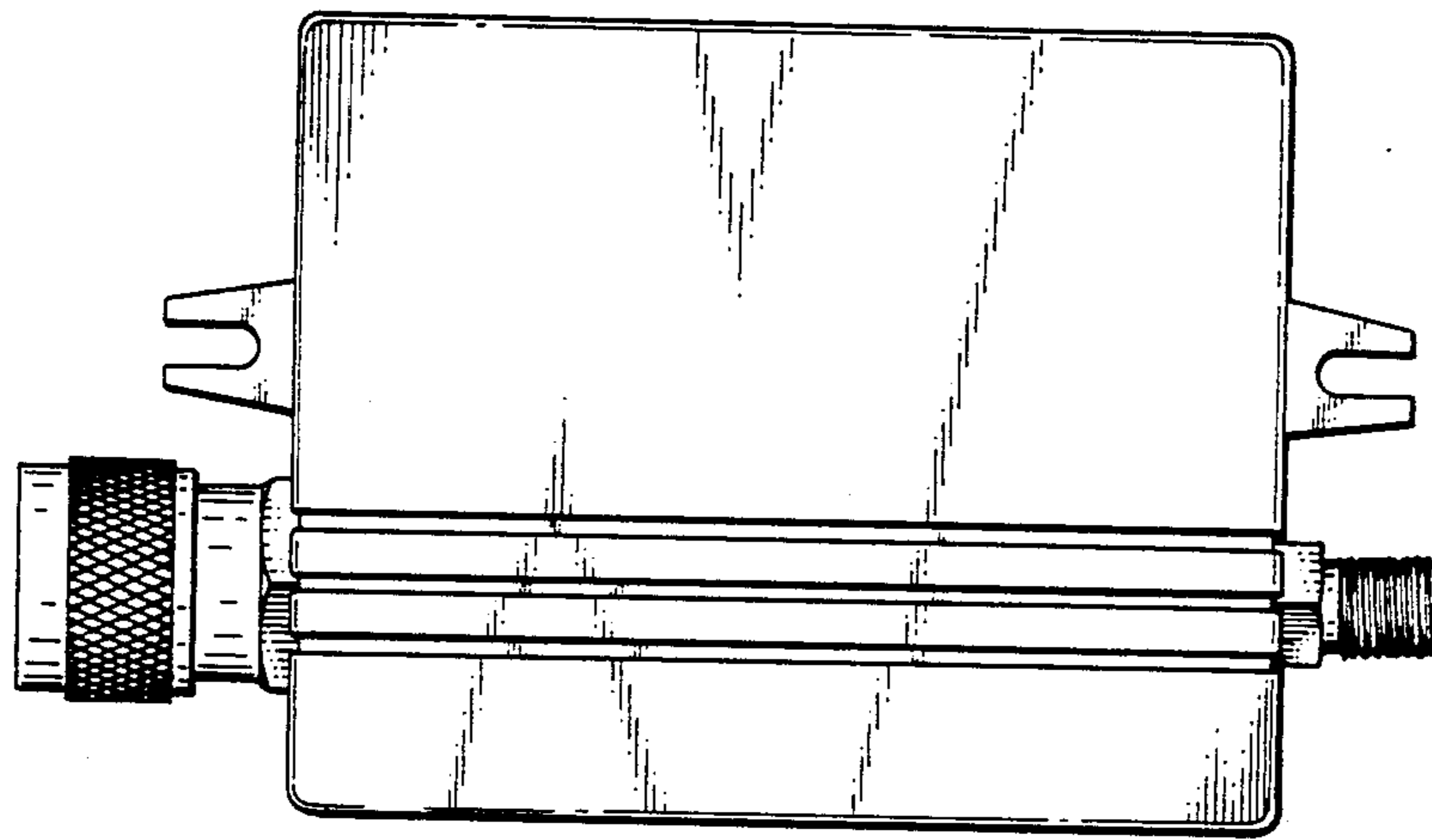


FIG. 4

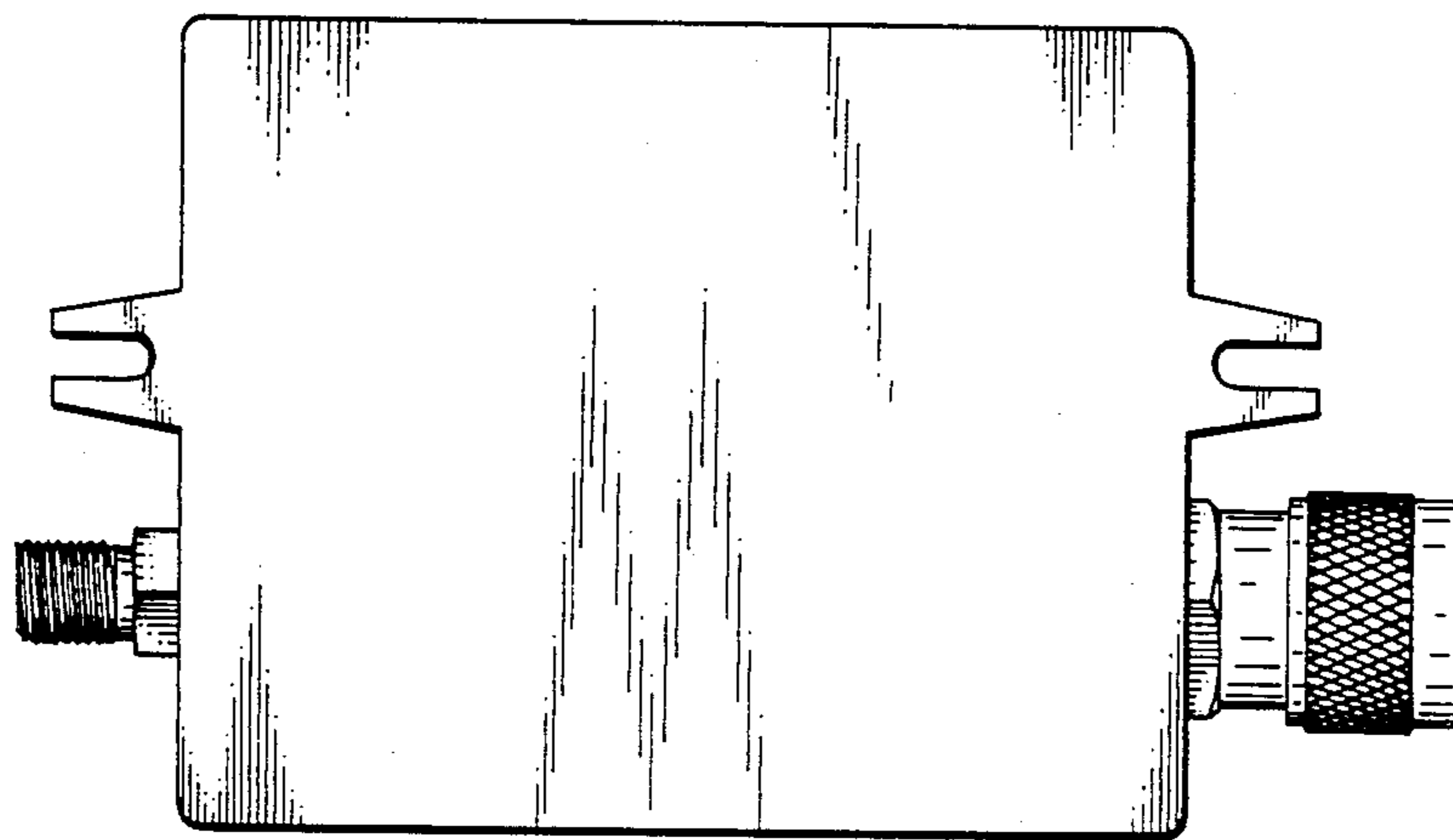


FIG. 5

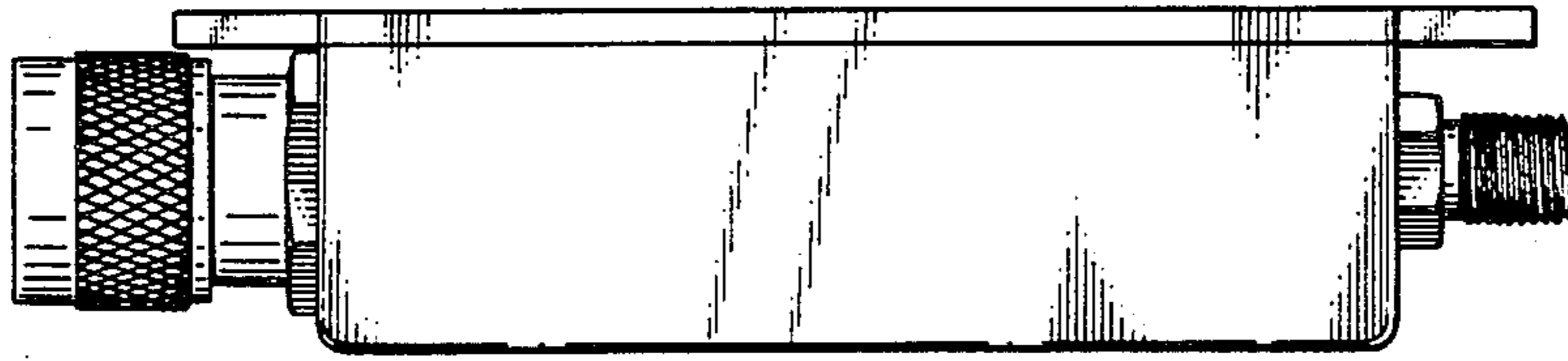


FIG. 6

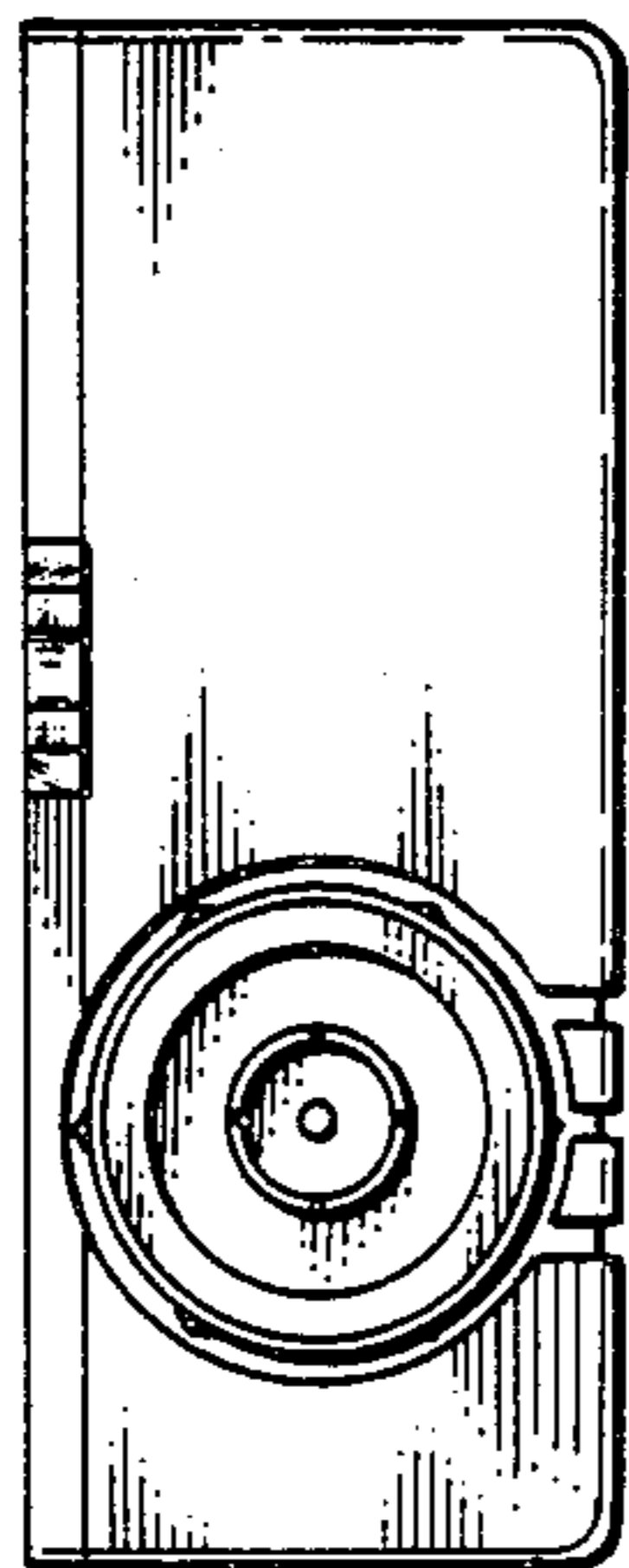


FIG. 7

