

[54] REEL FOR A VIDEO TAPE CASSETTE

[75] Inventor: Tadao Igarashi, Tagajo, Japan

[73] Assignee: Sony Corporation, Tokyo, Japan

[**] Term: 14 Years

[21] Appl. No.: 719,816

[22] Filed: Apr. 4, 1985

[30] Foreign Application Priority Data

Oct. 12, 1984 [JP] Japan 59-42205

[52] U.S. Cl. D14/11; 242/198

[58] Field of Search D14/1, 10, 11, 99;
360/132, 134; 242/71.8, 197, 198, 199

[56] References Cited

U.S. PATENT DOCUMENTS

4,358,071	11/1982	Okamura	242/199
4,420,128	12/1983	Okamura et al.	242/199
4,457,474	7/1984	Okamura et al.	242/199
4,512,534	4/1985	Coy, Jr. et al.	242/198
4,515,331	5/1985	Stumpfi et al.	242/199

FOREIGN PATENT DOCUMENTS

2852413 6/1979 Fed. Rep. of Germany 242/71.8
47968 4/1981 Japan 242/71.8

OTHER PUBLICATIONS

Hong Kong Enterprise, 1/84, p. 33, top center of page.

Primary Examiner—Bernard Ansher

Assistant Examiner—Theodore M. Shooman

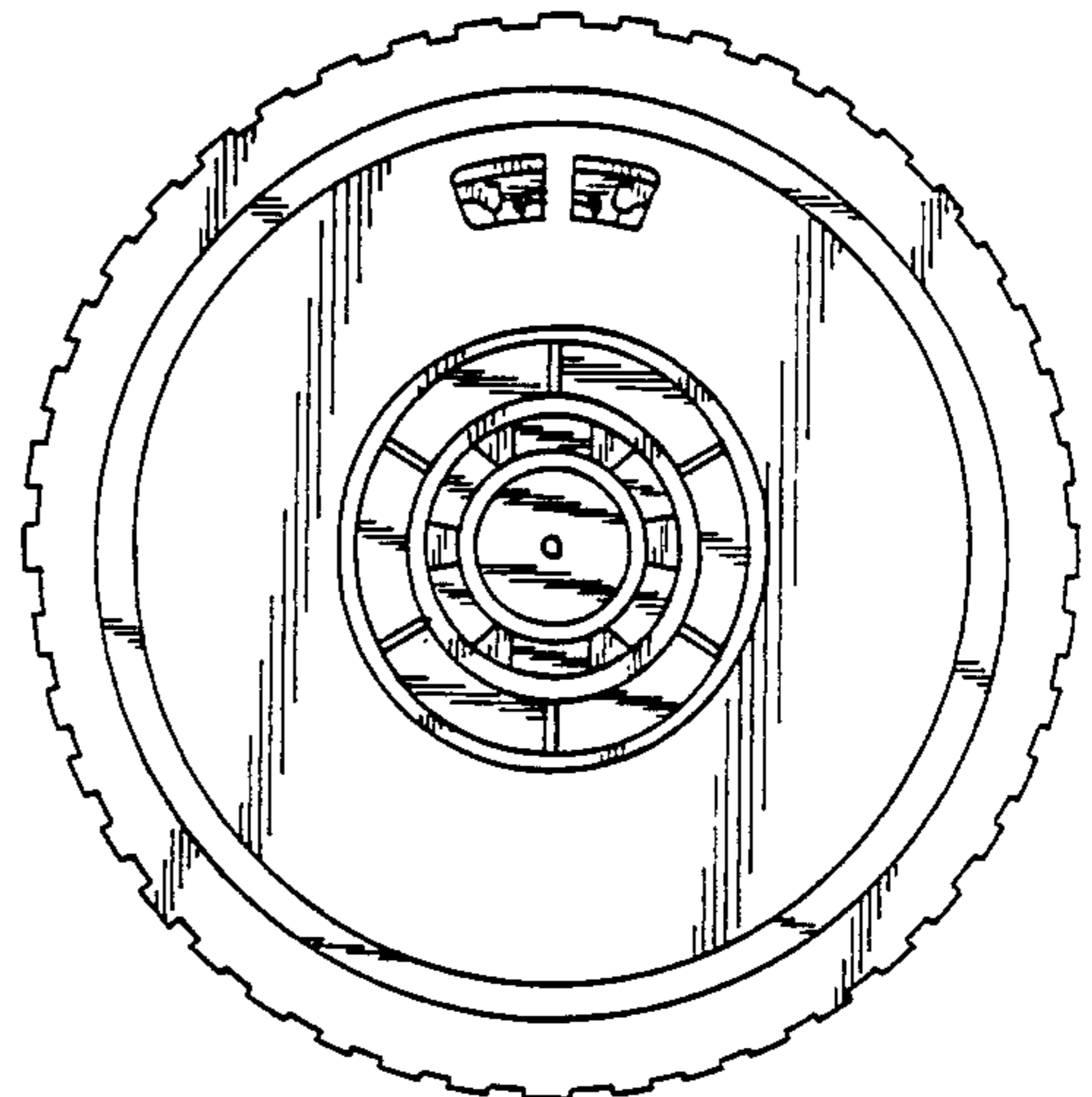
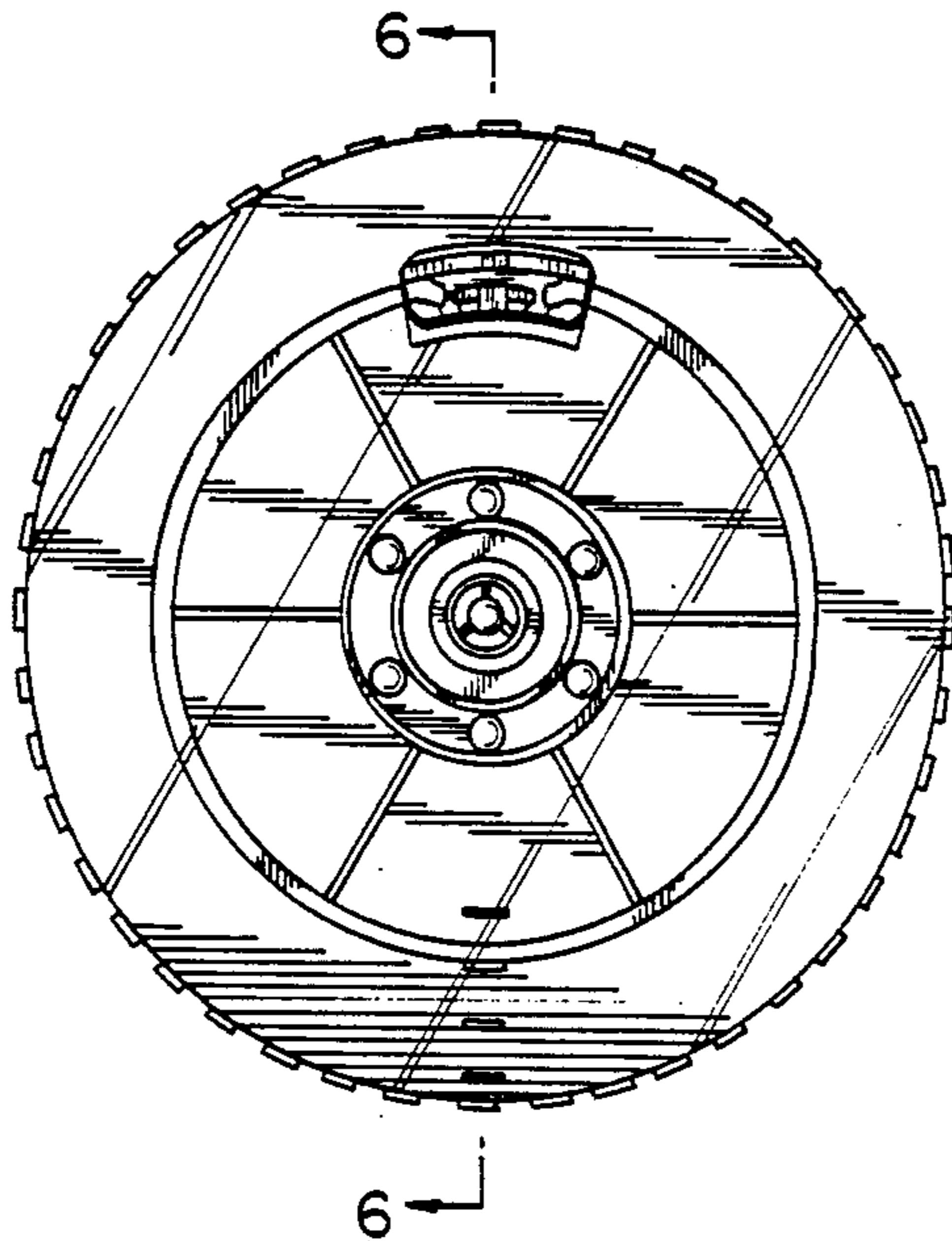
Attorney, Agent, or Firm—Lewis H. Eslinger; Alvin Sinderbrand

[57] CLAIM

The ornamental design for a reel for a video tape cassette, as shown and described.

DESCRIPTION

FIG. 1 is a front elevational view of a reel for a video tape cassette showing my new design; FIG. 2 is a rear elevational view thereof; FIG. 3 is a right-side elevational view thereof, the left-side being a mirror image thereof; FIG. 4 is a top plan view thereof; FIG. 5 is a bottom plan view thereof; and FIG. 6 is a cross-sectional view through section line A—A of FIG. 1, showing the ornamental design of the interior of the hub.



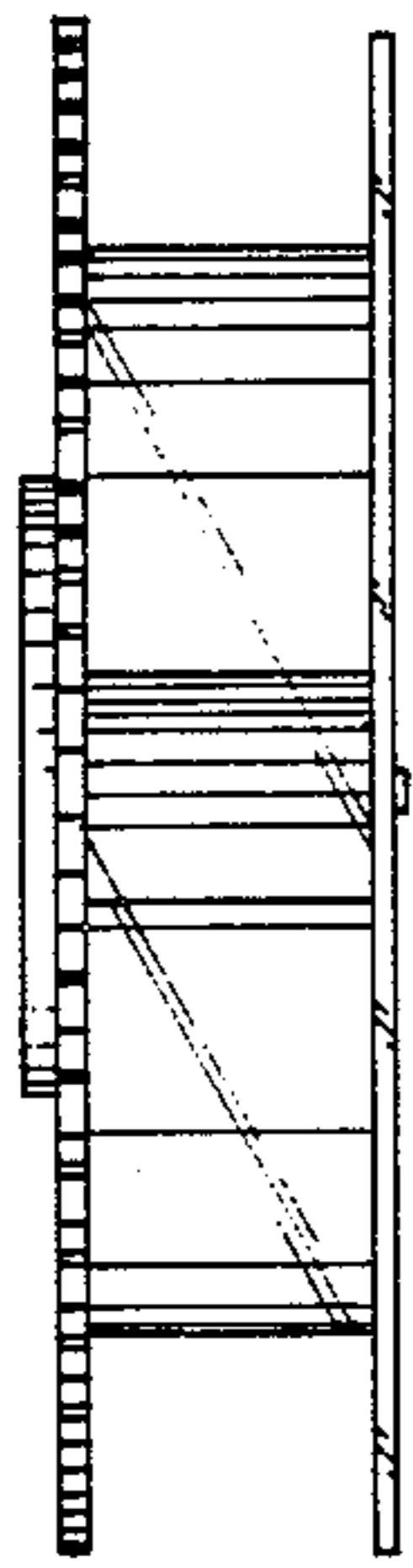


FIG. 4

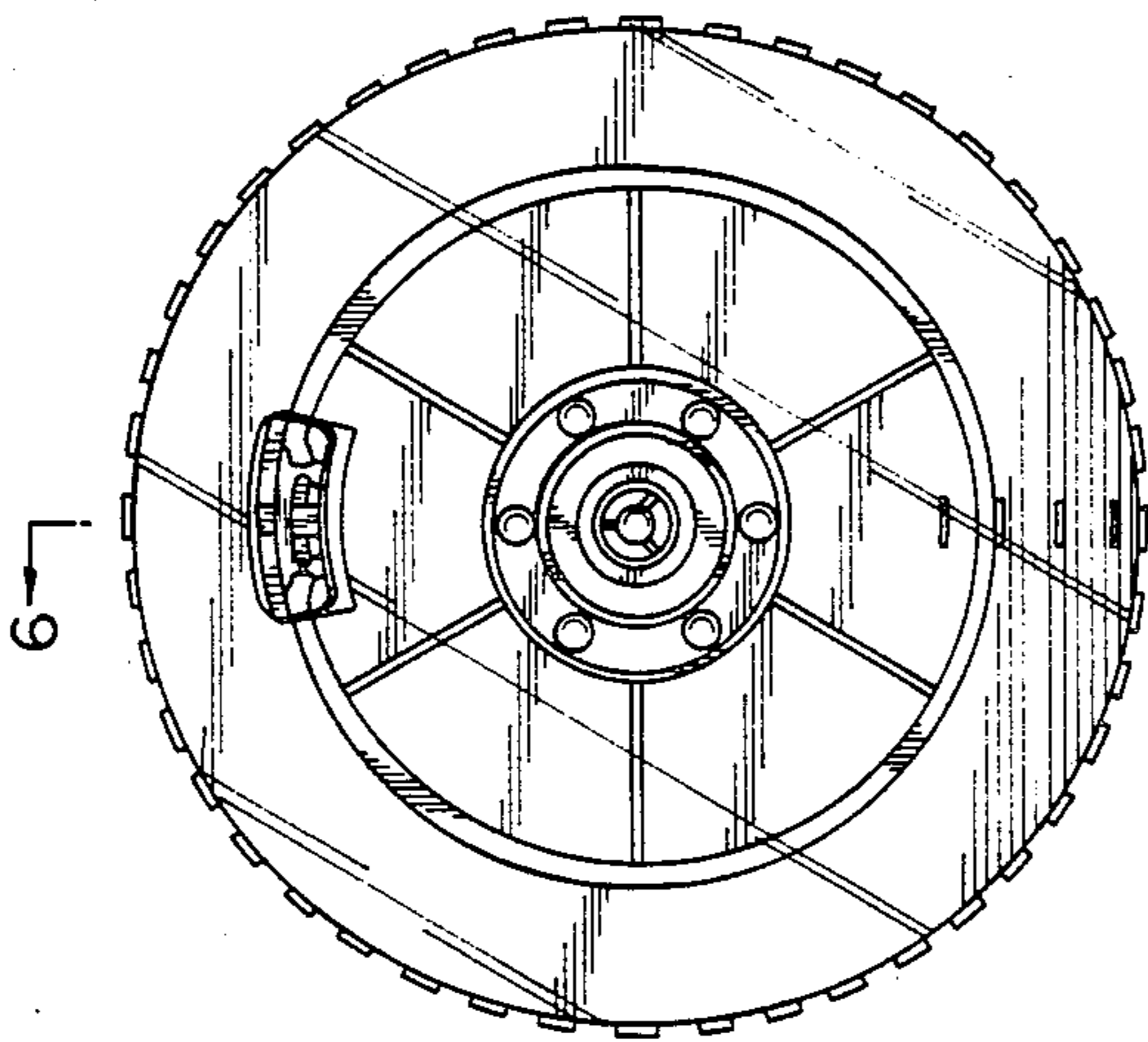


FIG. 1

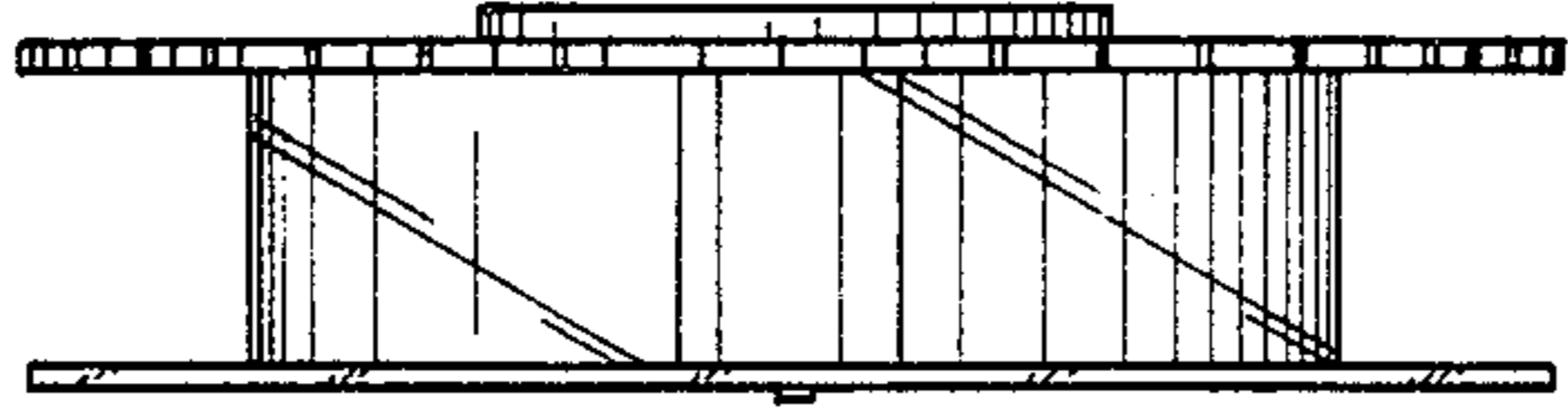


FIG. 3

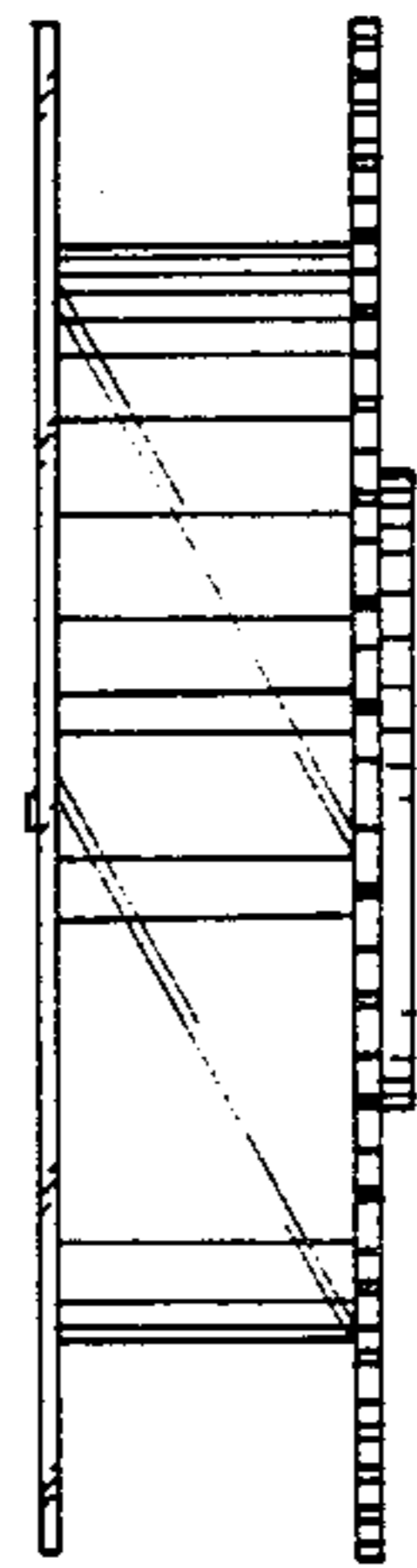


FIG. 5

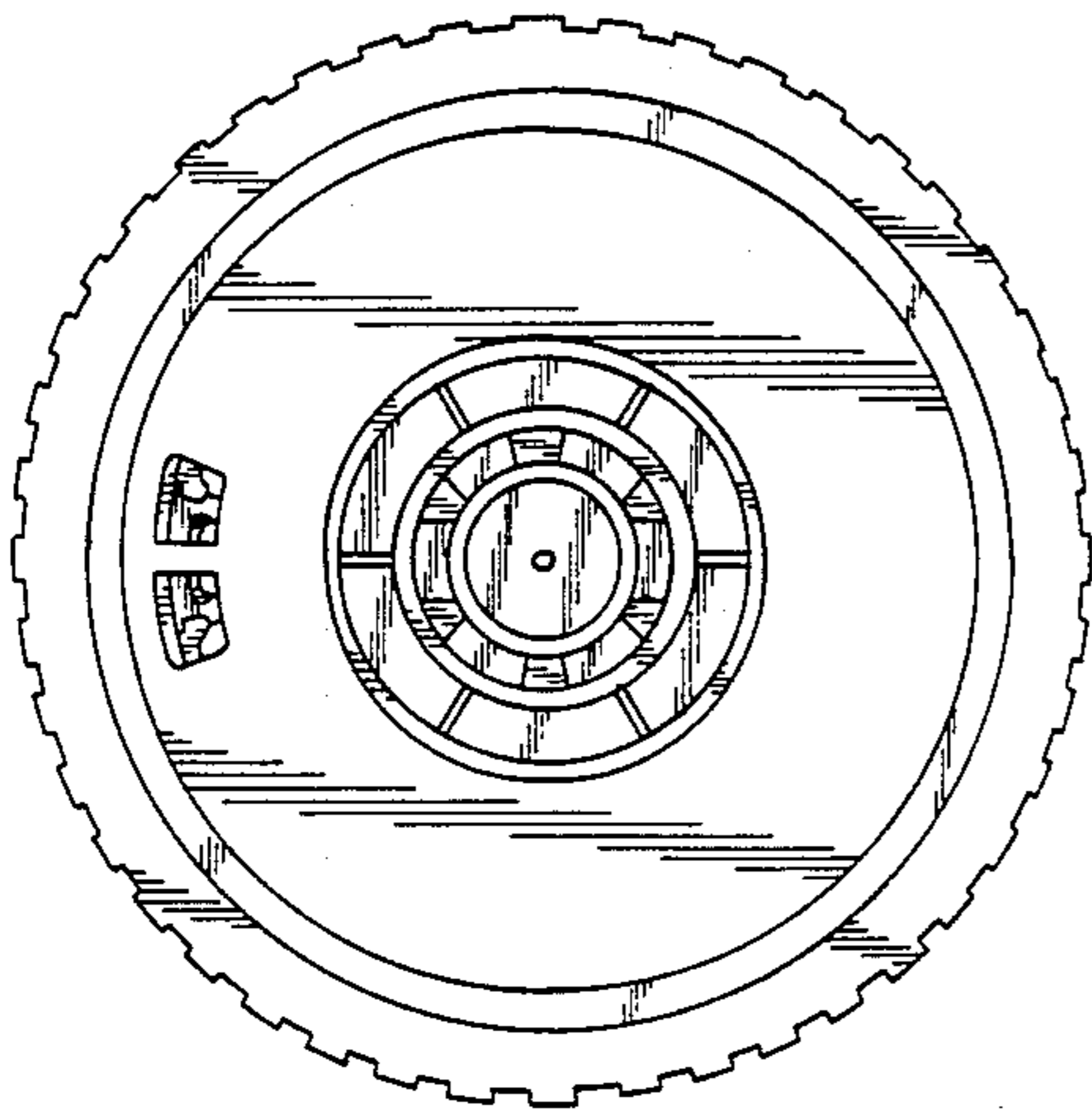


FIG. 2

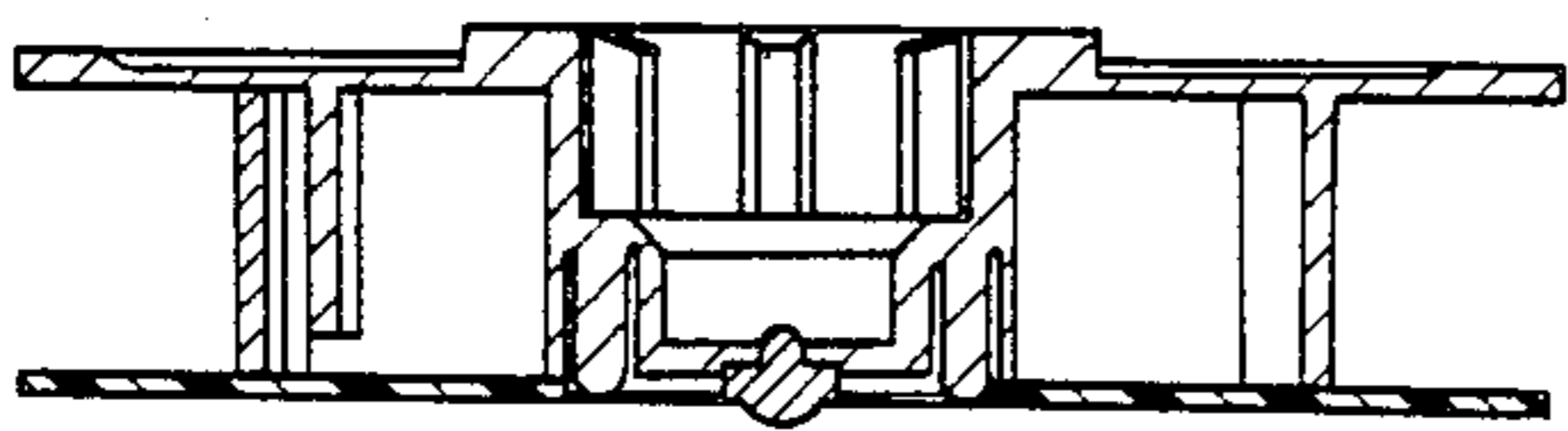


FIG. 6