

[54] AUTOMOBILE FRONT BUMPER

[75] Inventors: Fred C. Mayhew, Birmingham; David C. Turner; Frederick T. Finney, both of Dearborn, all of Mich.

[73] Assignee: Ford Motor Company, Dearborn, Ill.

[**] Term: 14 Years

[21] Appl. No.: 811,547

[22] Filed: Dec. 20, 1985

[52] U.S. Cl. D12/169

[58] Field of Search D12/169, 181; 296/1 S; 293/102, 113, 117, 120, 121

[56] References Cited
PUBLICATIONS

Car & Driver, 11/83, p. 130, Front Bumper of Ford Thunderbird, bottom left side of page.

Motor Trend, 7/83, p. 67, Front Bumper of Ford AFV concept car, lower right side of page.

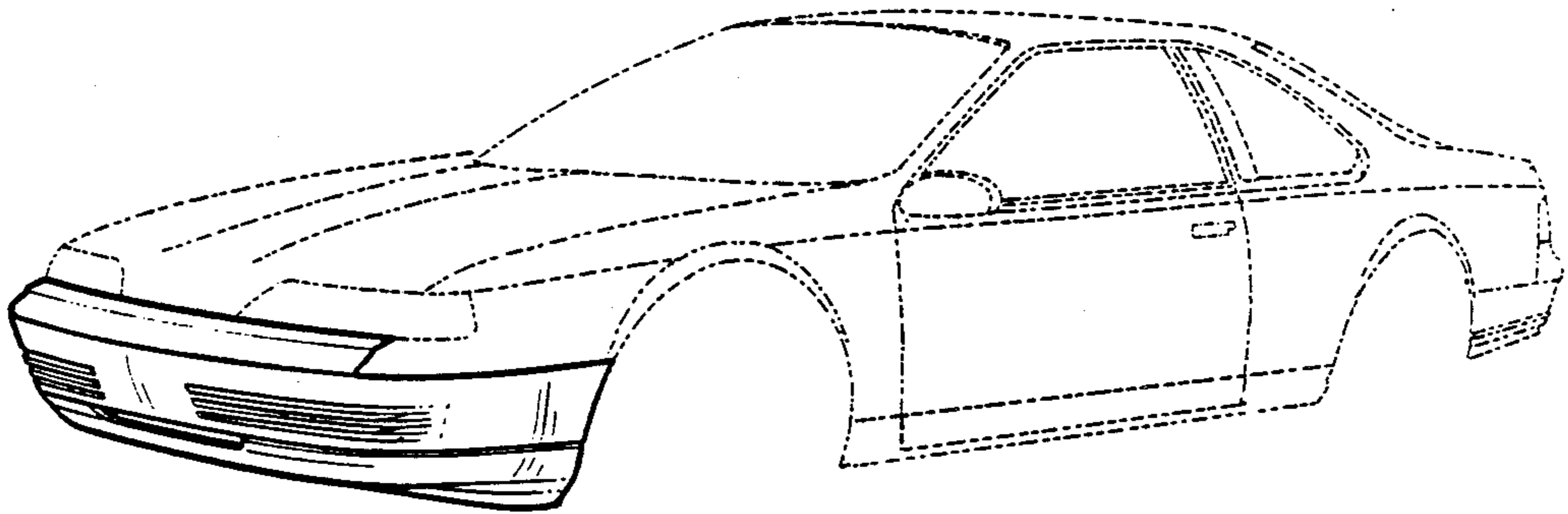
Primary Examiner—James M. Gandy
Attorney, Agent, or Firm—Daniel M. Stock; Clifford L. Sadler

[57] CLAIM

The ornamental design for an automobile front bumper, as shown and described.

DESCRIPTION

FIG. 1 is a perspective view of an automobile front bumper showing our new design, it being understood that the broken lines are for illustrative purposes only and form no part of the claimed design; FIG. 2 is a front elevational view thereof; FIG. 3 is a top plan view thereof; FIG. 4 is a side elevational view thereof; FIG. 5 is a cross-sectional thereof taken along line 5—5 in FIG. 3; and FIG. 6 is a cross-sectional view thereof taken along line 6—6 in FIG. 3.



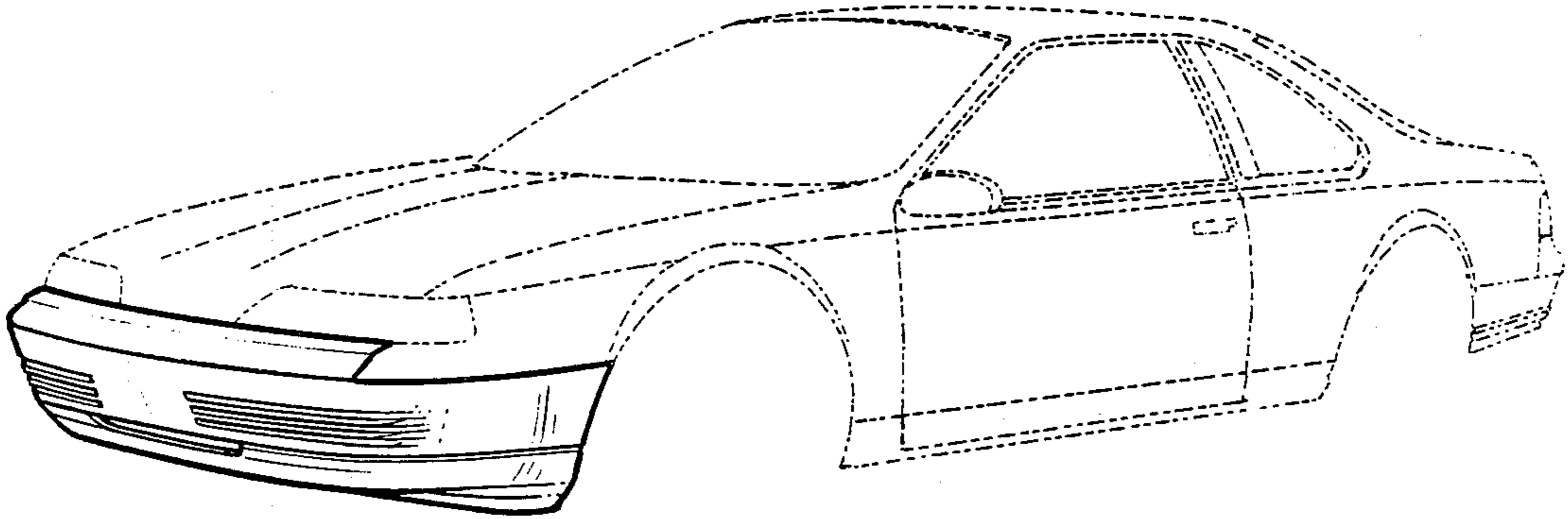


Fig-1

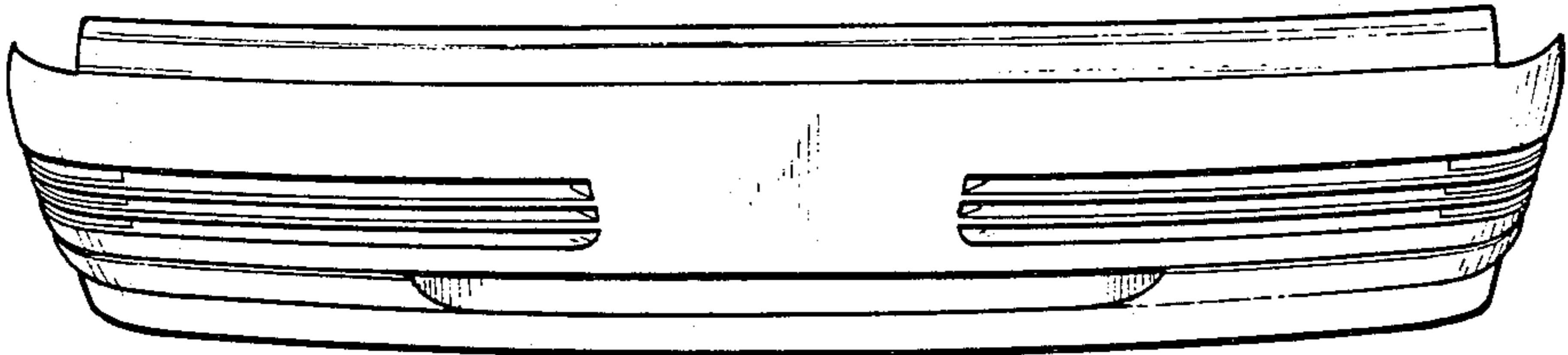


Fig-2

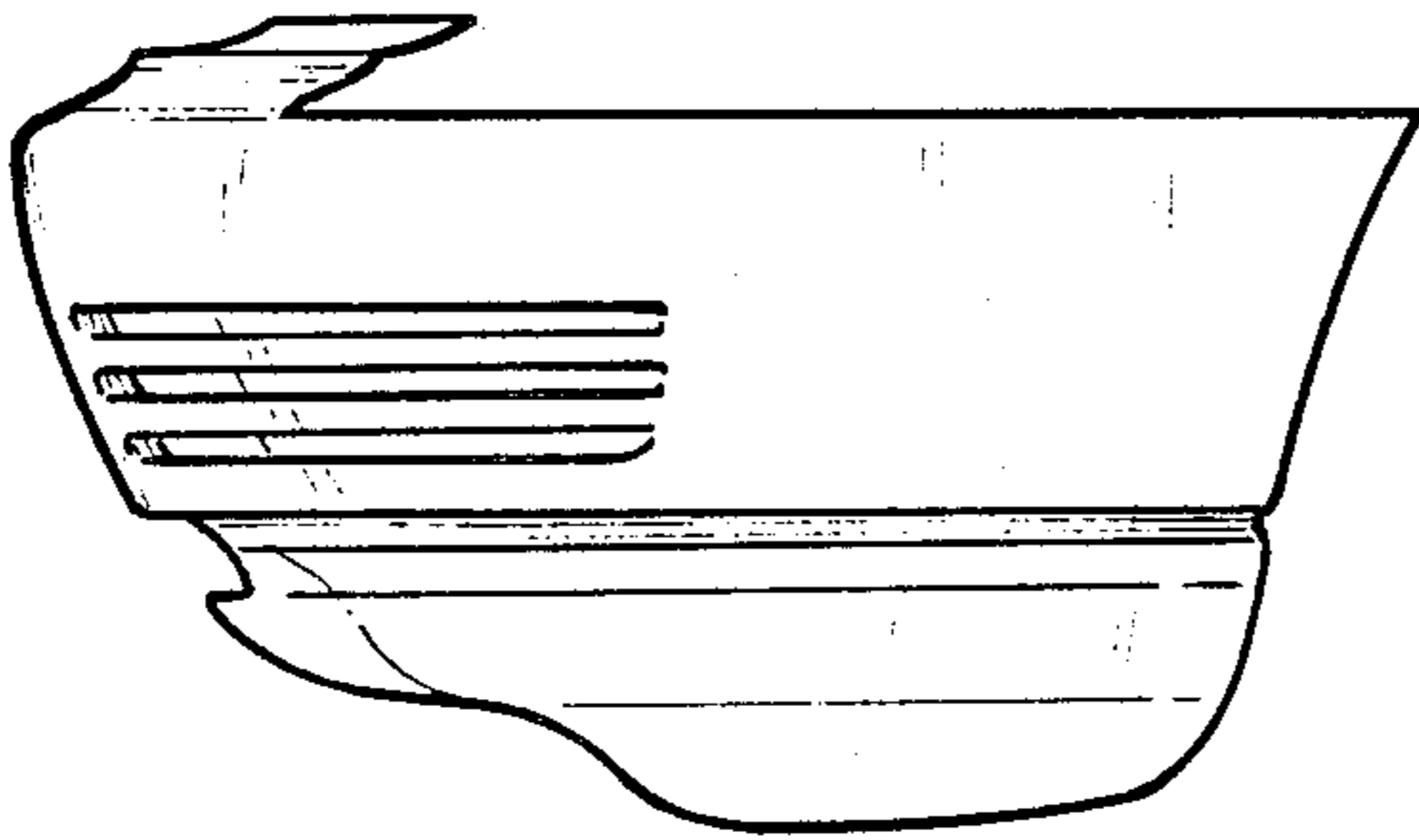


Fig-4

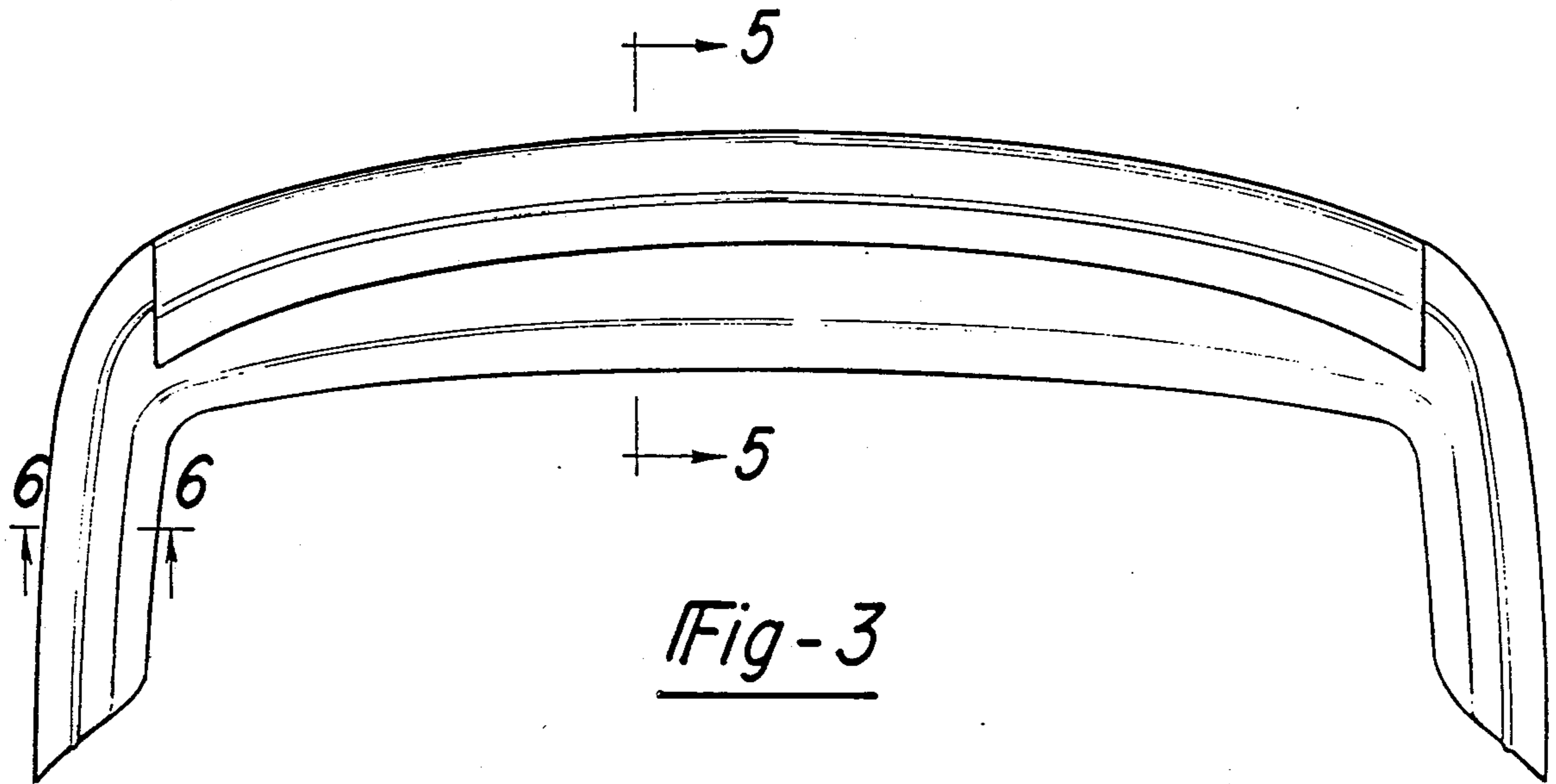


Fig-3



Fig-5



Fig-6