

[54] LIQUID LEVEL GAUGE  
[75] Inventor: Jan Andreasson, Mullsjo, Sweden  
[73] Assignee: Skandiafabriken, Mullsjo, Sweden  
[\*\*] Term: 14 Years  
[21] Appl. No.: 733,181  
[22] Filed: May 13, 1985

[30] Foreign Application Priority Data

Nov. 13, 1984 [SE] Sweden ..... 843020

[52] U.S. Cl. .... D10/101

[58] Field of Search ..... D10/46, 78, 101, 103;  
73/313

[56] References Cited

U.S. PATENT DOCUMENTS

- D. 129,259 9/1941 Johnson ..... D10/101
- D. 252,617 8/1979 McCloskey ..... D10/101 X
- 2,416,059 2/1947 Marchment ..... 73/313 X
- 2,484,690 10/1949 De Giers ..... 73/313 X
- 3,113,282 12/1963 Coleman ..... 73/313 X
- 3,555,904 1/1971 Lenker ..... 73/313
- 3,813,941 6/1974 Miguel ..... 73/313
- 4,342,224 8/1982 Hara ..... 73/313 X

- 4,384,184 5/1983 Alvarez ..... 73/313 X
- 4,589,282 5/1986 Dumery ..... 73/313
- 4,641,523 2/1987 Andreasson ..... 73/313

Primary Examiner—Nelson C. Holtje  
Attorney, Agent, or Firm—Dennison, Meserole, Pollack & Scheiner

[57] CLAIM

The ornamental design for a liquid level gauge, as shown and described.

DESCRIPTION

FIG. 1 is a top perspective view of a liquid level gauge showing my new design;  
FIG. 2 is a bottom perspective view of the opposite side thereof;  
FIG. 3 is a top perspective view thereof rotated 90° in a first direction;  
FIG. 4 is a bottom perspective view thereof rotated 90° in the second direction;  
FIG. 5 is a top perspective view of inner element, the housing having been omitted for ease of illustration;  
FIG. 6 is a top perspective view of the opposite side of FIG. 5;  
FIG. 7 is a bottom perspective view of FIG. 5 rotated 90°.

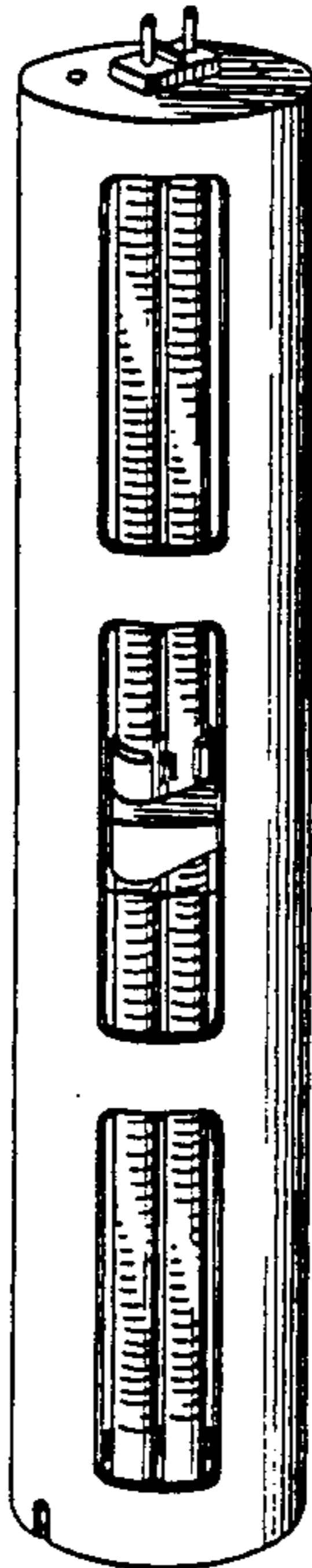


FIG. 1

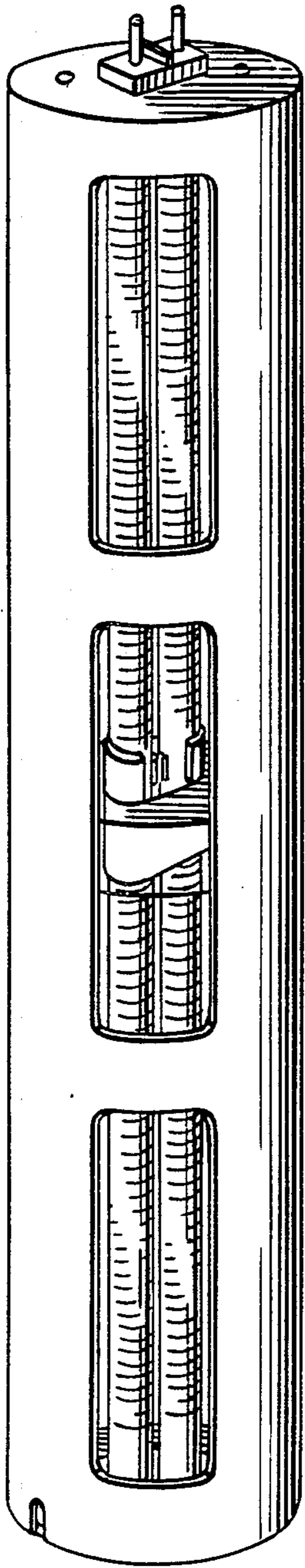


FIG. 2

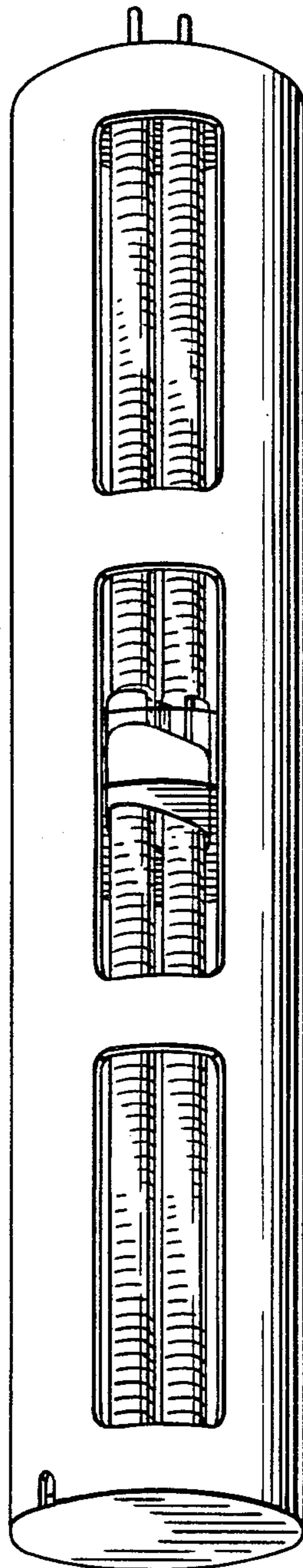


FIG. 3

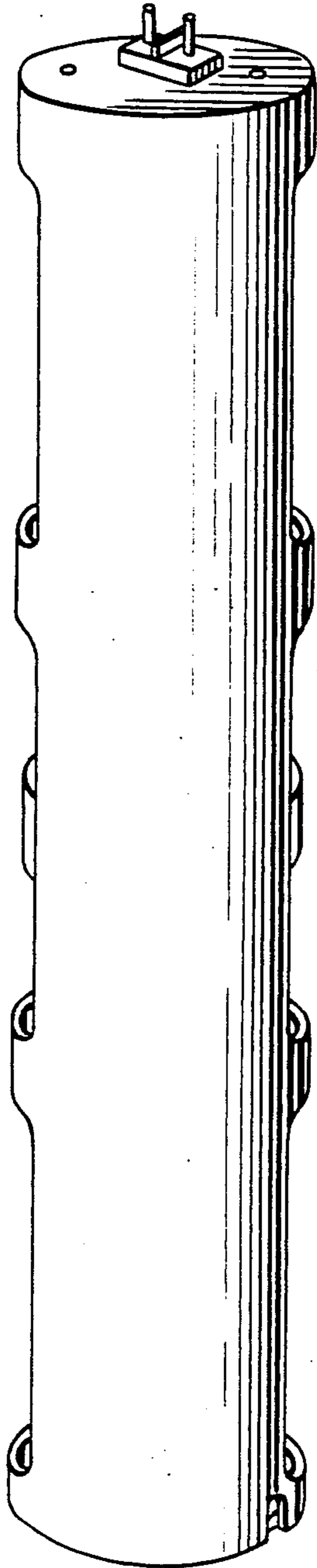


FIG. 4

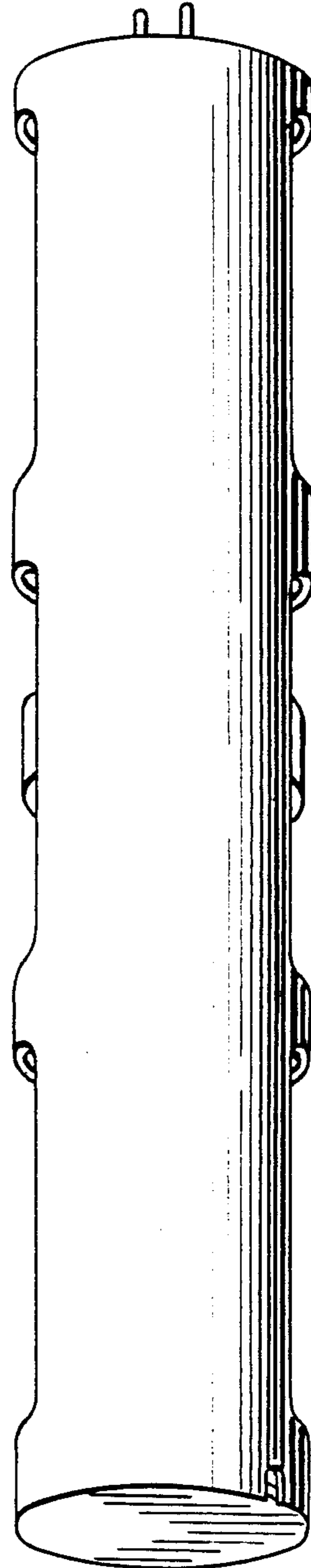


FIG. 5

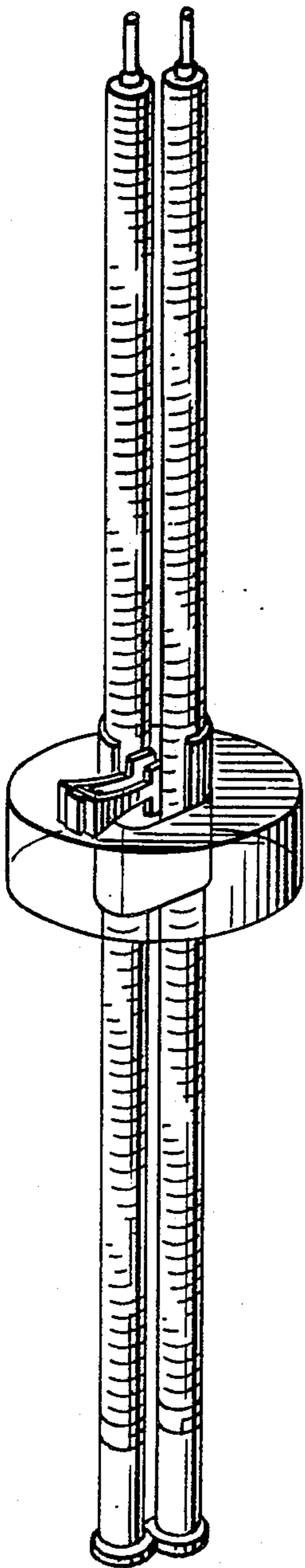


FIG. 6

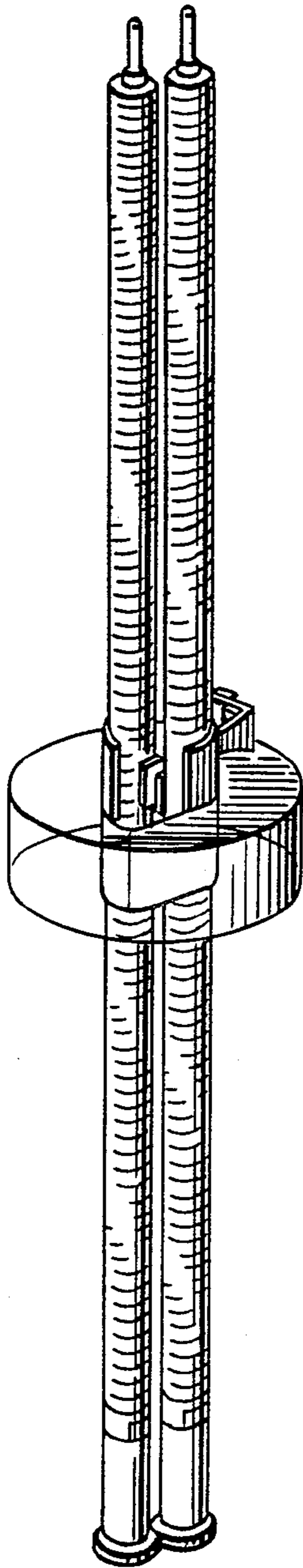


FIG. 7

