

[54] **WATCH CASE**  
[75] **Inventor: Yasuyuki Sakamaki, Kanagawa, Japan**  
[73] **Assignee: Citizen Watch Co., Ltd., Tokyo, Japan**  
[\*\*] **Term: 14 Years**  
[21] **Appl. No.: 735,804**  
[22] **Filed: May 17, 1985**  
[52] **U.S. Cl. .... D10/30; D10/38**  
[58] **Field of Search ..... D10/30-39; 368/276-285**

D. 290,234 6/1987 Komatsu ..... D10/38

**OTHER PUBLICATIONS**

*Swiss Watch & Jewelry Journal*-1/83-p. 7, Watch at left.  
*Swiss Watch & Jewelry Journal*-2/80-p. 258-Watches at left.  
*Swiss Watch & Jewelry Journal*-2/78-p. 262-Watch at 2nd from left.  
*Primary Examiner*-Nelson C. Holtje  
*Attorney, Agent, or Firm*-Koda and Androlia

[56] **References Cited**

**U.S. PATENT DOCUMENTS**

D. 83,721	3/1931	Cohn .....	D10/39
D. 155,403	10/1949	Dinhofer .....	D10/38
D. 278,605	4/1985	Didisheim .....	D10/39
D. 285,662	9/1986	Kano .....	D10/39
D. 286,382	10/1986	Matsuo .....	D10/39
D. 287,341	12/1986	Grimes .....	D10/30

[57] **CLAIM**

The ornamental design for a watch case, as substantially shown and described.

**DESCRIPTION**

FIG. 1 is a front elevational view of a watch case showing my new design;  
FIG. 2 is a rear elevational view thereof;  
FIG. 3 is a right side elevational view thereof and the left side view is identical;  
FIG. 4 is a top plan view thereof; and  
FIG. 5 is a bottom plan view thereof.

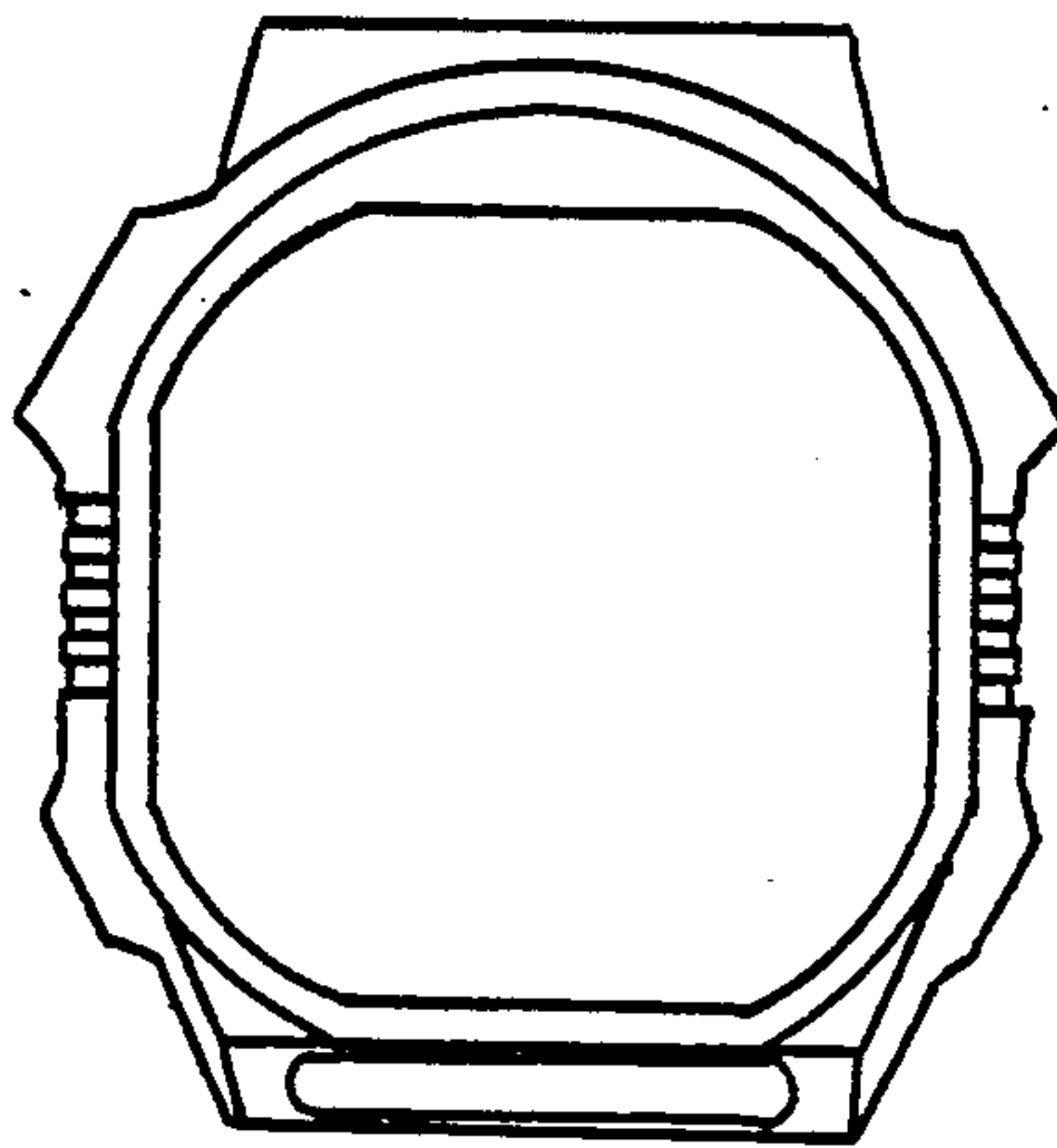


FIG. 1

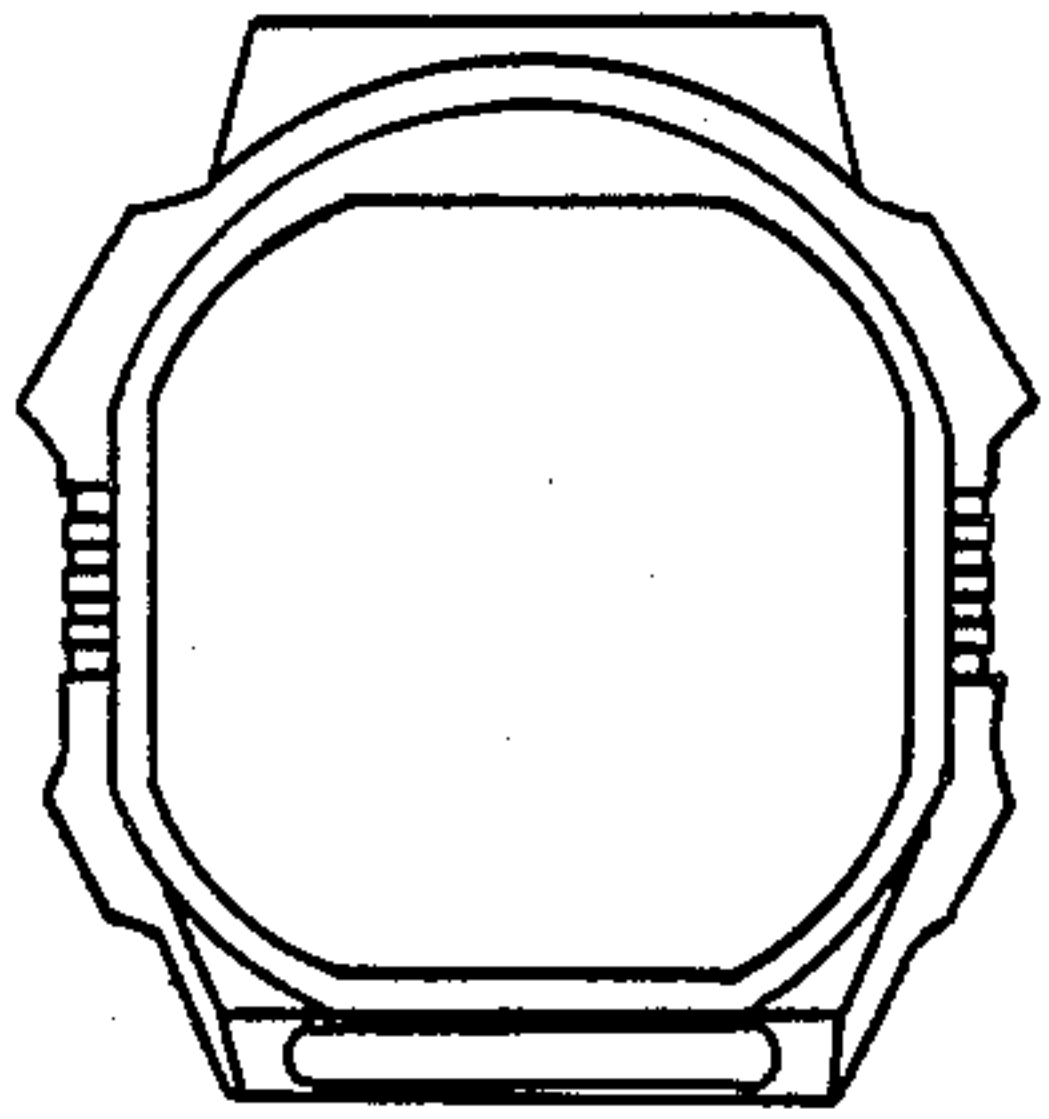


FIG. 2

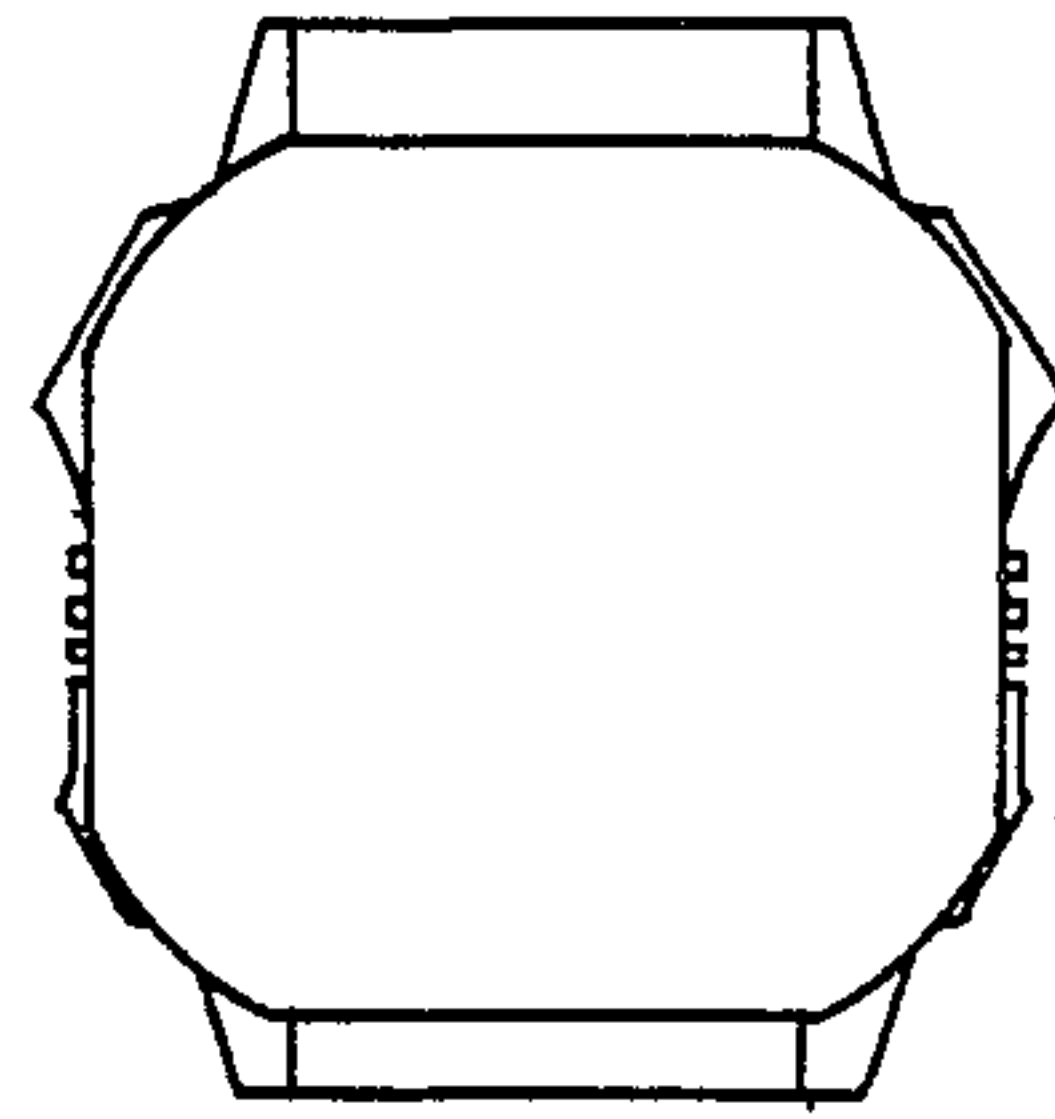


FIG. 3



FIG. 4

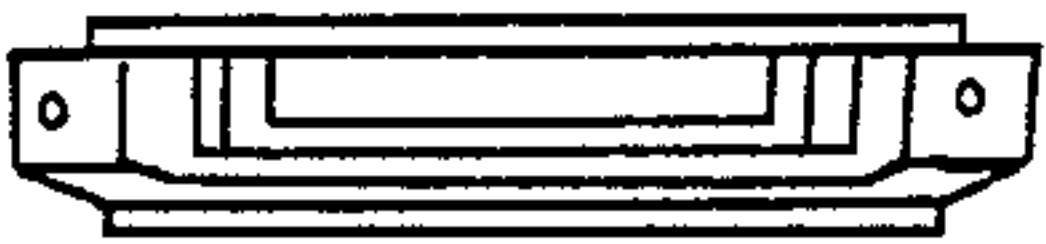


FIG. 5

