

[54] TORCH

[75] Inventors: Larry R. Turney, Denton; Roger D. Zwicker, Arlington, both of Tex.

[73] Assignee: Victor Equipment Company, Denton, Tex.

[**] Term: 14 Years

[21] Appl. No.: 597,184

[22] Filed: Apr. 5, 1984

[52] U.S. Cl. D8/30

[58] Field of Search D8/30; D15/144; 239/416.2, 416.3, 419.3, 424.5, 427.5, 407, 430

[56] References Cited

U.S. PATENT DOCUMENTS

969,875	9/1910	Johnson	239/424.5	X
1,703,750	2/1929	Rose	239/424.5	X
1,726,327	8/1929	Walker	239/424.5	
1,940,343	12/1933	Bennett et al.	239/430	X
3,891,195	6/1975	Mills, Jr. et al.	239/424.5	X
4,022,441	5/1977	Turney	266/48	
4,248,384	2/1981	Zwicker	239/419.3	
4,409,002	10/1983	Zwicker	48/180	
4,509,689	4/1985	Kuo	239/416.3	X

OTHER PUBLICATIONS

Victor Master Catalog, Welding & Cutting Division, 1974, p. 24.

Victor Gas Apparatus Catalog, 1982, pp. 8, 9, 14 and 15. *Smith's Heating Cutting Brazing Welding Equipment Catalog*, Catalog No. 850-82, p. 5.

Primary Examiner—Susan J. Lucas

Assistant Examiner—C. E. Heflin

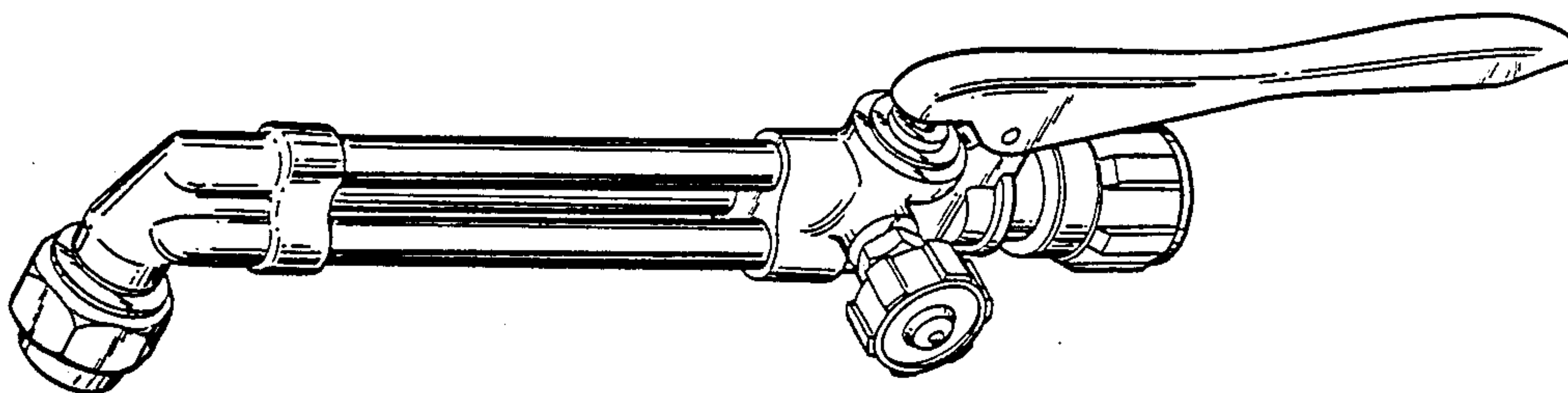
Attorney, Agent, or Firm—Majestic, Gallagher Parsons & Siebert

[57] CLAIM

The ornamental design for a torch, as shown and described.

DESCRIPTION

FIG. 1 is a top perspective view of the torch showing our new design; FIG. 2 is a front elevational view thereof; FIG. 3 is a top plan view thereof; FIG. 4 is a right end elevational view thereof; FIG. 5 is a left end elevational view thereof; FIG. 6 is a bottom plan view thereof; and FIG. 7 is a rear elevational view thereof.



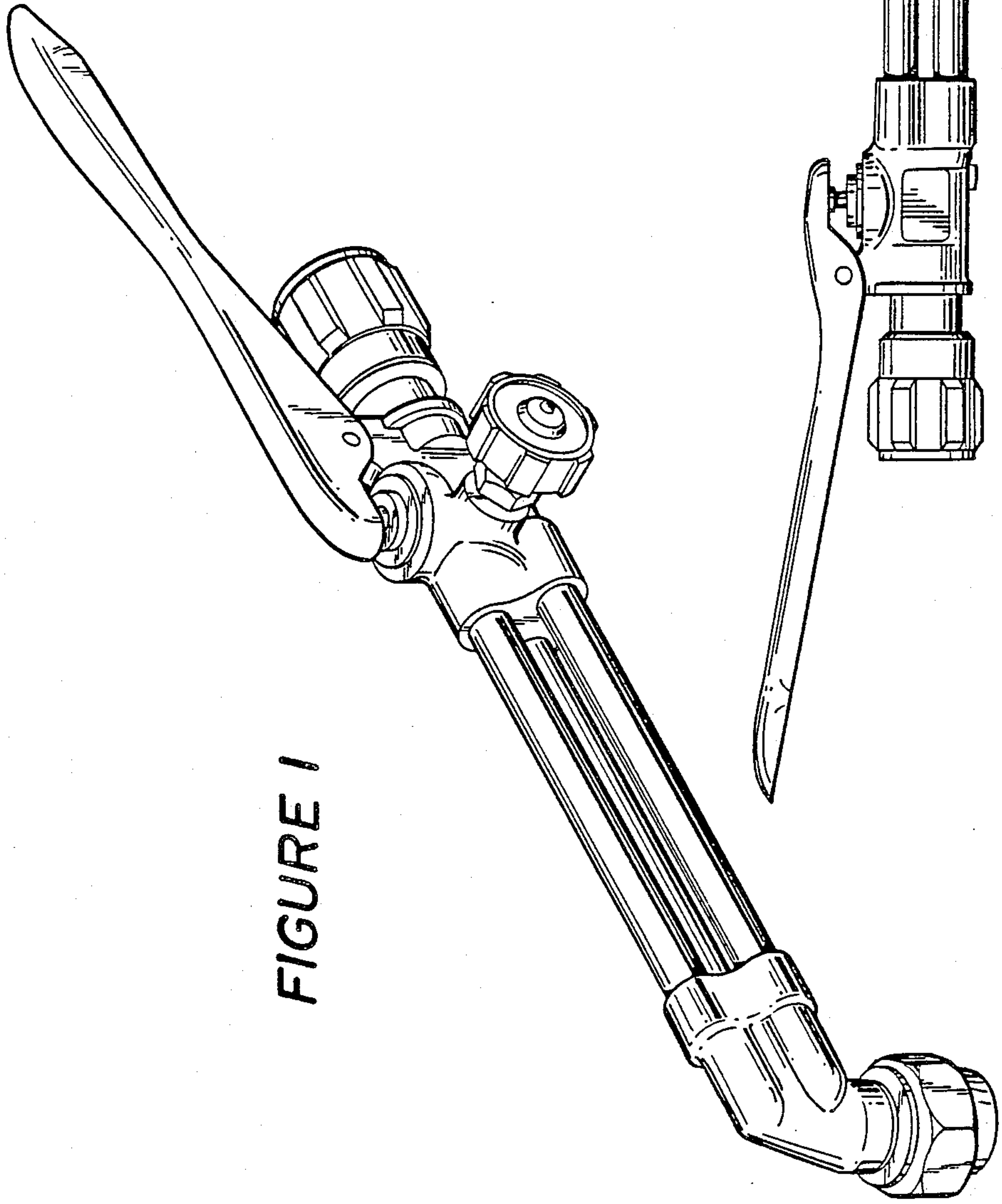


FIGURE 1

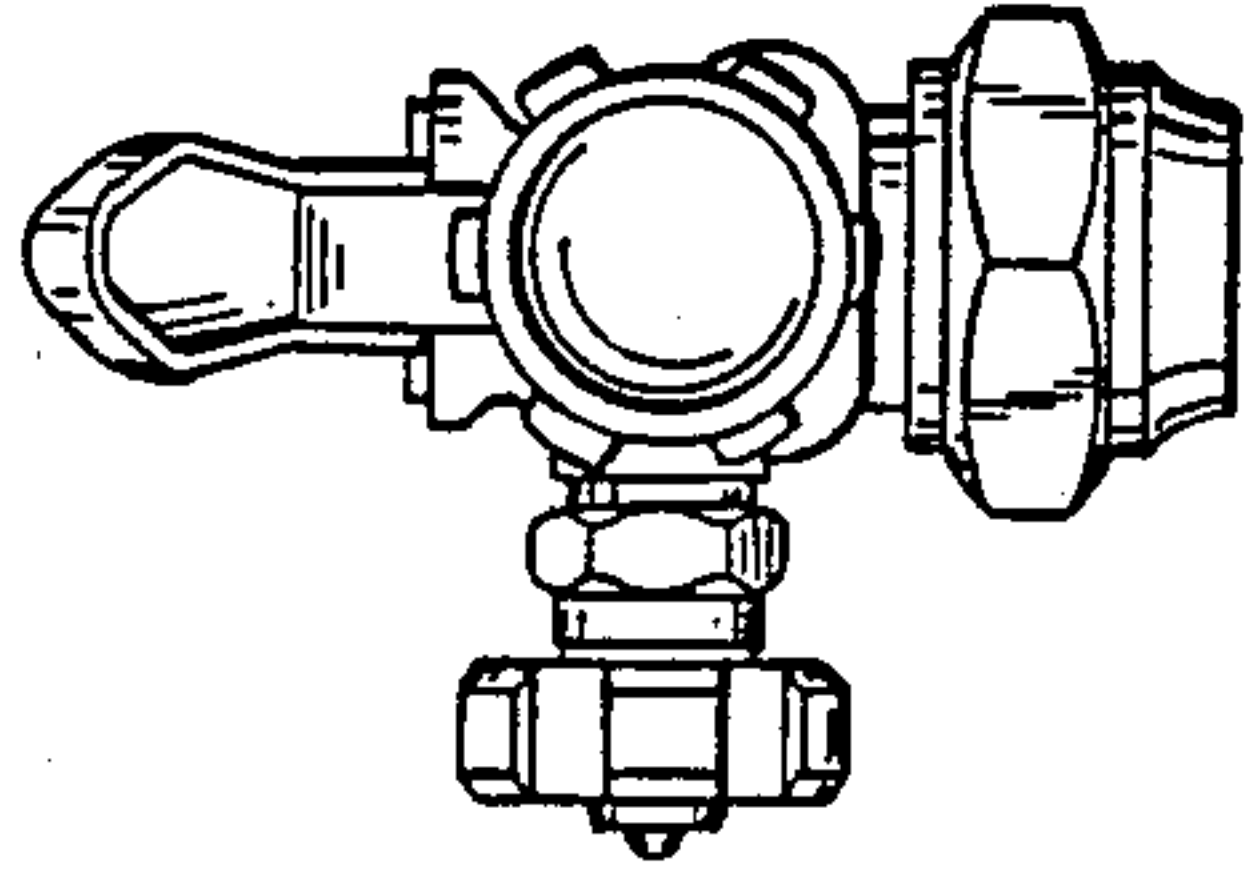


FIGURE 7

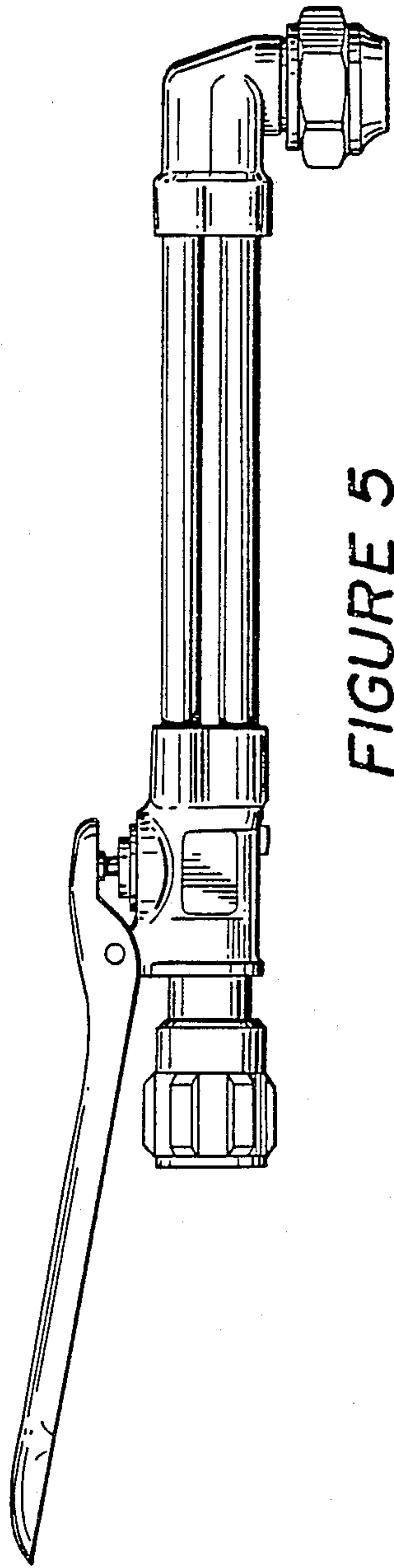


FIGURE 5

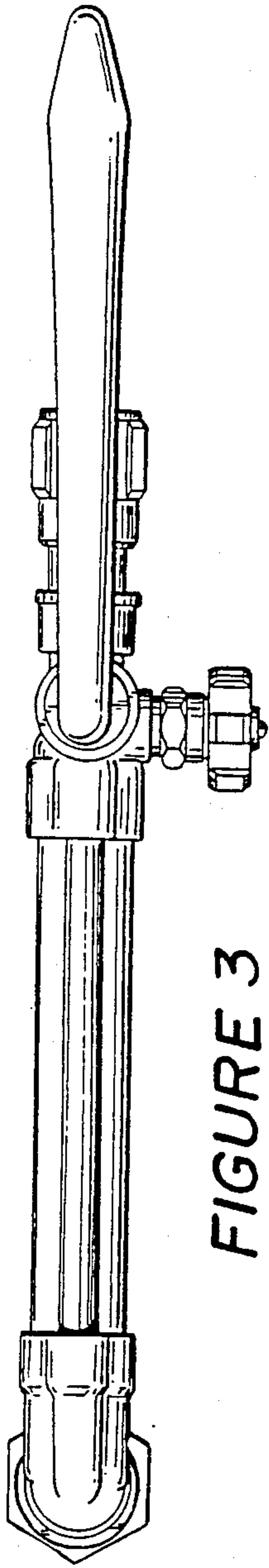


FIGURE 3

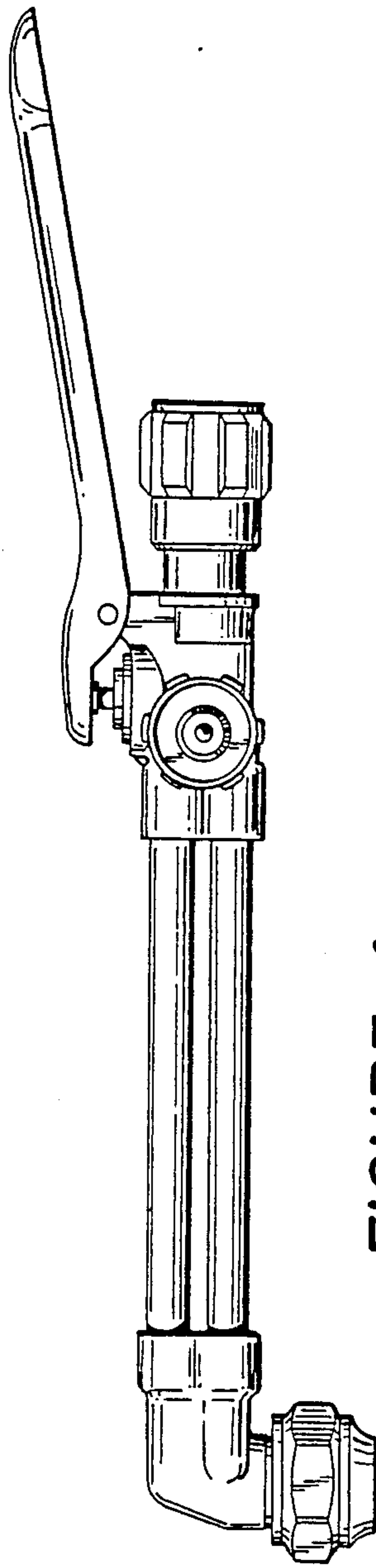


FIGURE 4

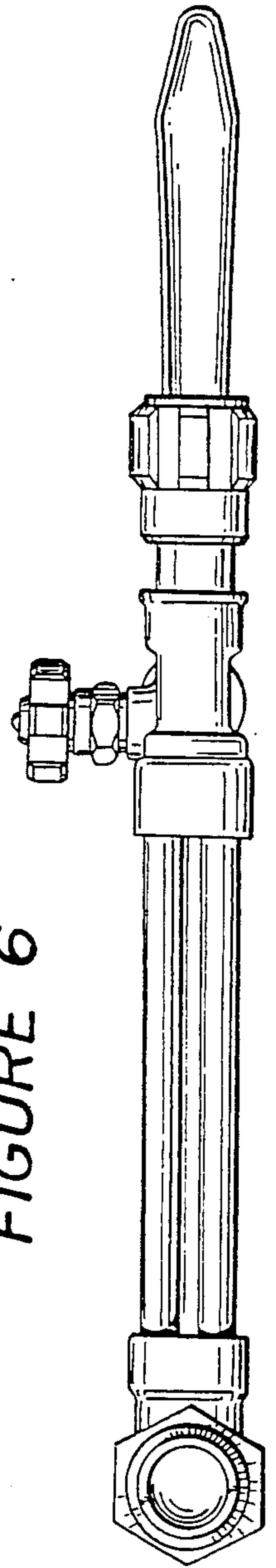


FIGURE 6

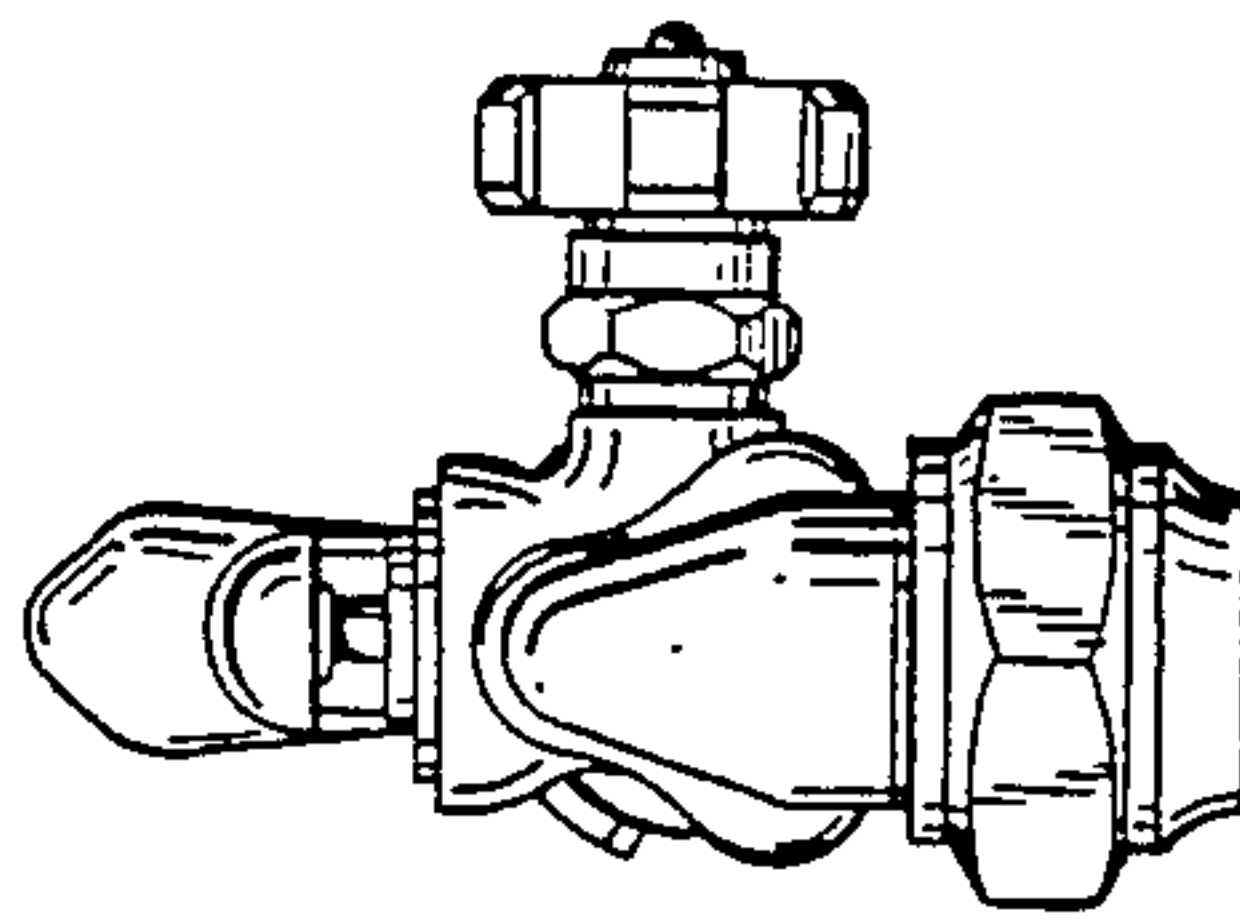


FIGURE 2