

[54] BROILER

[75] Inventor: Hideo Nishikawa, Higashi Osaka, Japan

[73] Assignee: Imanishi Kinzoku Kogyo Kabushiki Kaisha, Osaka, Japan

[\*\*] Term: 14 Years

[21] Appl. No.: 672,526

[22] Filed: Nov. 16, 1984

[52] U.S. Cl. .... D7/360

[58] Field of Search ..... D7/348-350, D7/355, 337, 332, 360; 99/341, 447

[56] References Cited

U.S. PATENT DOCUMENTS

- D. 104,394 5/1937 Coss ..... D7/360
- D. 275,643 9/1984 Petterson ..... D7/355
- D. 283,970 5/1986 Thevein ..... D7/360
- 2,502,685 4/1950 Warner ..... 99/341 X
- 3,081,694 3/1963 Lipsey ..... 99/341

- 3,556,078 1/1971 McGaughey ..... 99/341 X
- 4,002,113 1/1977 McLane ..... 99/447
- 4,455,479 6/1984 Itoh et al. .... 99/447 X
- 4,598,693 7/1986 Koziol ..... 99/341 X

Primary Examiner—Winifred E. Herrmann  
Attorney, Agent, or Firm—Armstrong, Nikaido, Marmelstein & Kubovcik

[57] CLAIM

The ornamental design for a broiler, as shown and described.

DESCRIPTION

FIG. 1 is a top, front, and left side perspective view of a broiler showing my new design;  
 FIG. 2 is a top, rear, and right side perspective view thereof;  
 FIG. 3 is a front elevational view thereof;  
 FIG. 4 is a rear elevational view thereof;  
 FIG. 5 is a top plan view thereof;  
 FIG. 6 is a bottom plan view thereof;  
 FIG. 7 is a right side elevational view thereof; and,  
 FIG. 8 is a left side elevational view thereof.

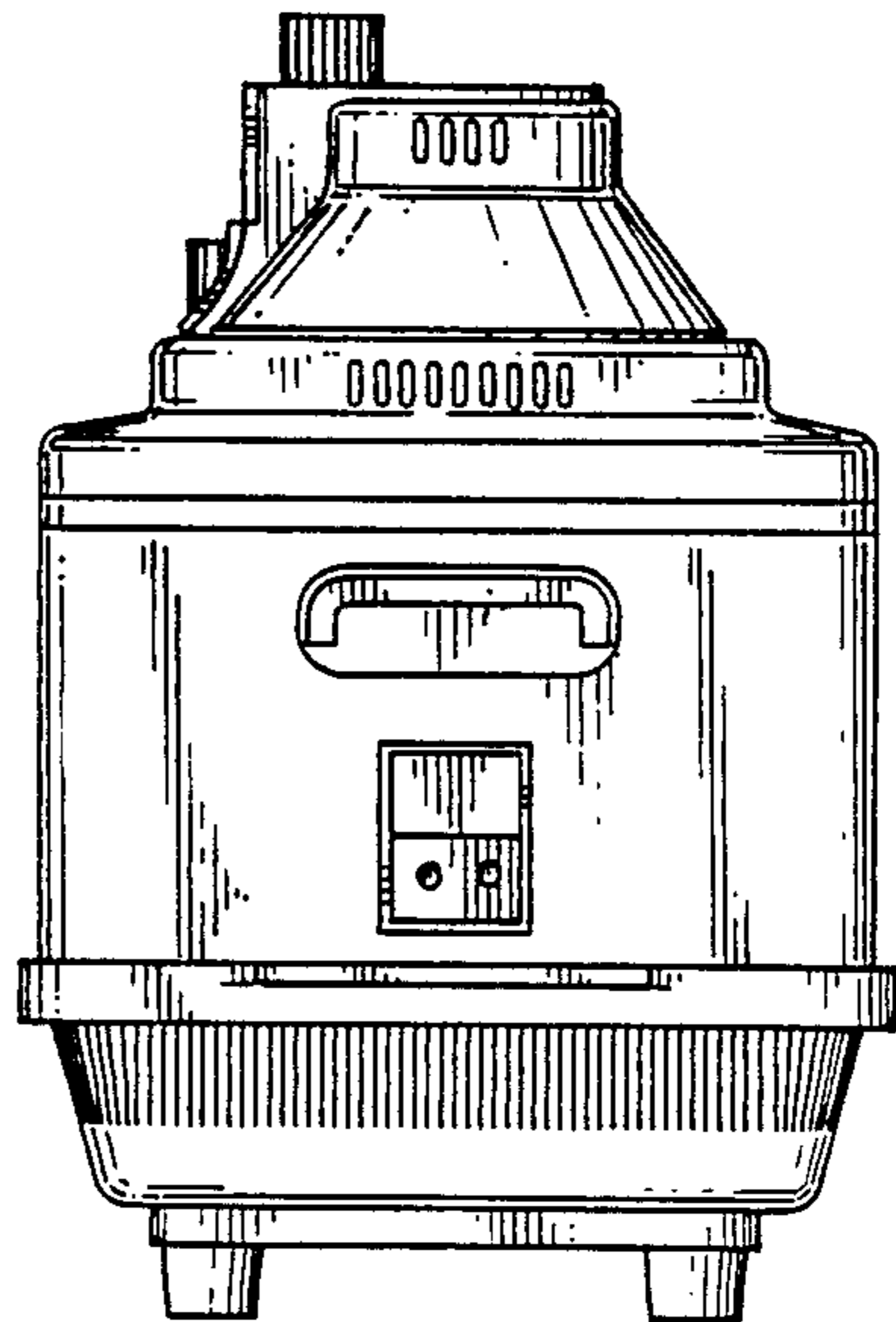
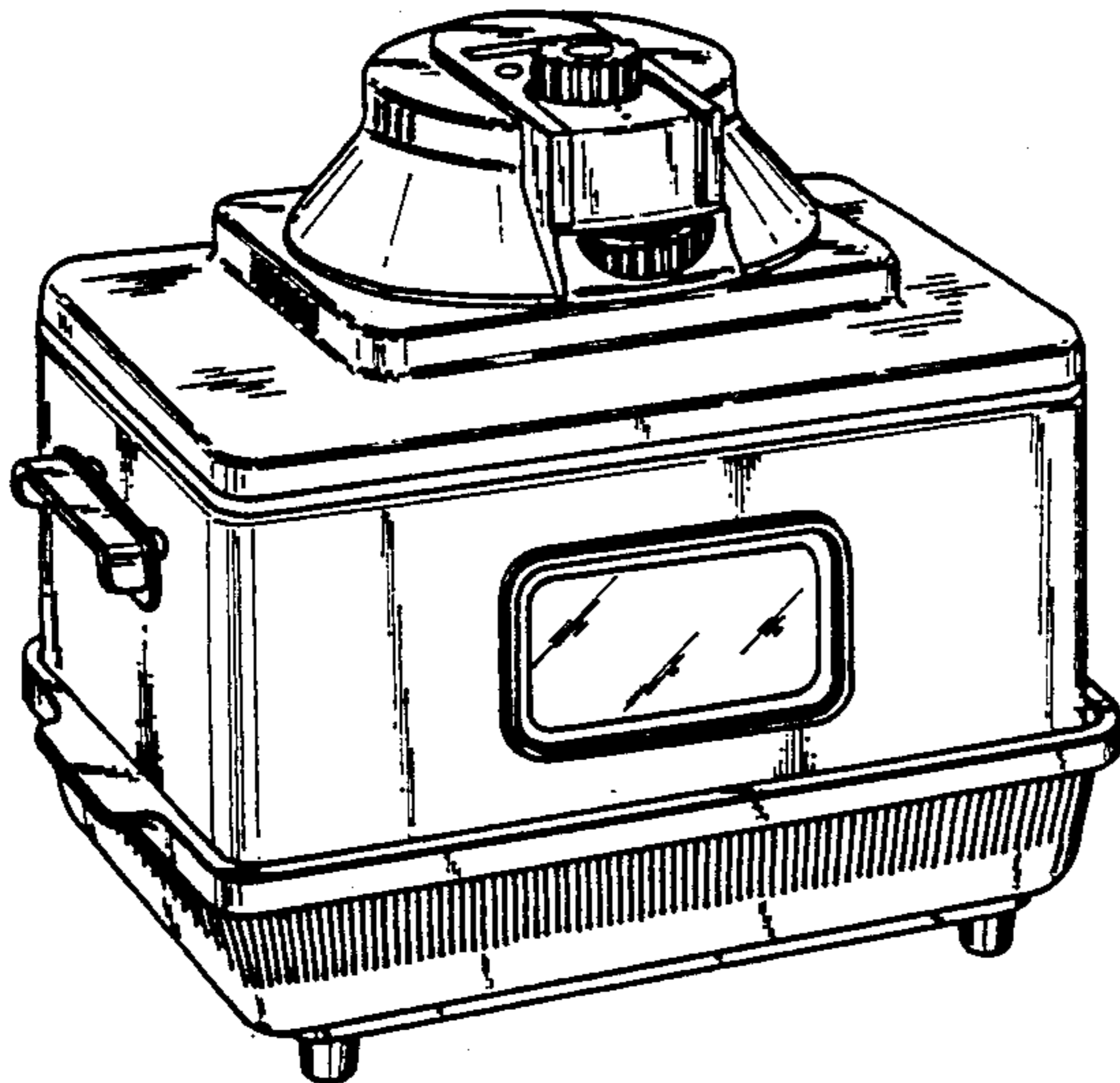


FIG. 1

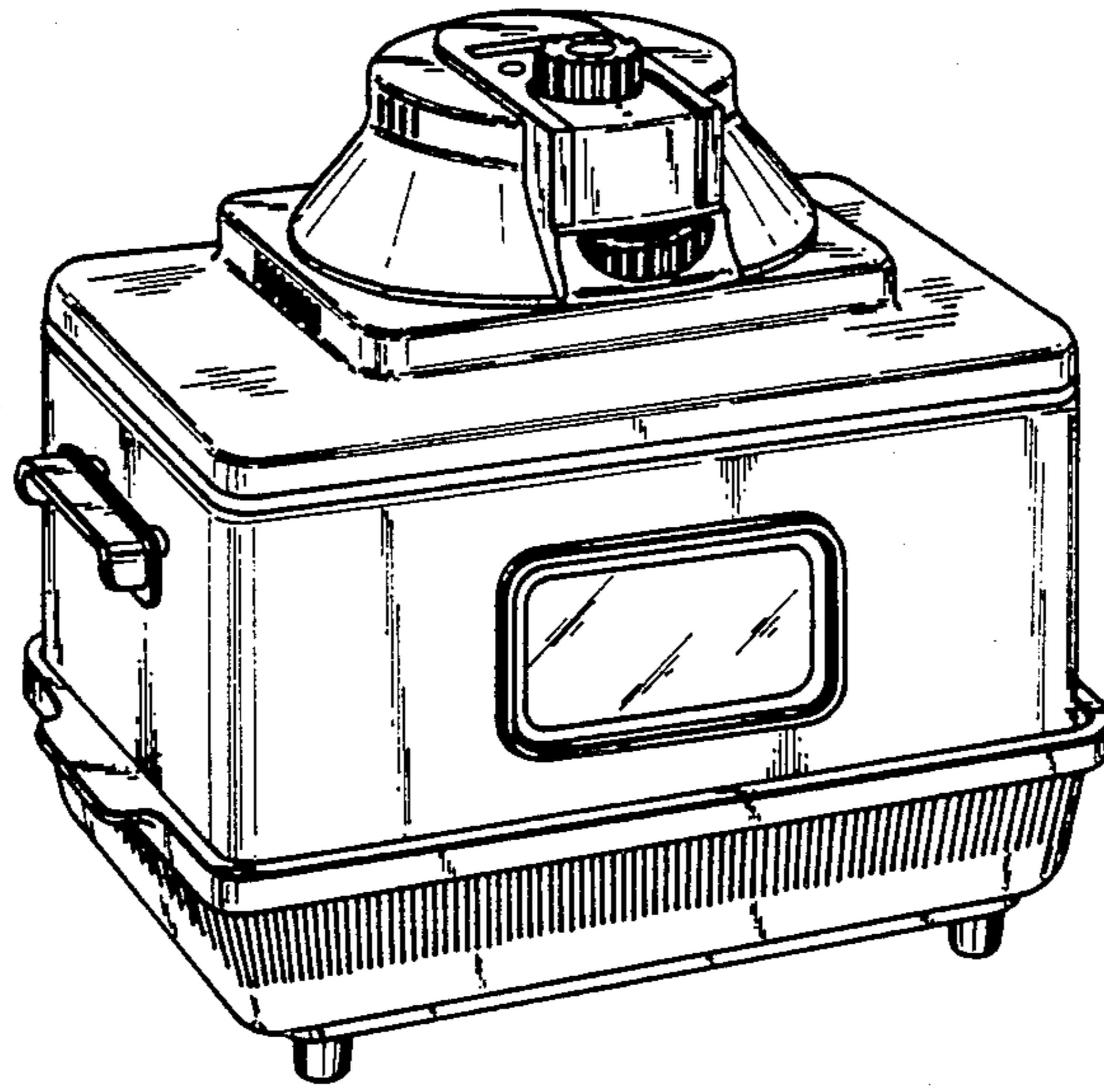


FIG. 2

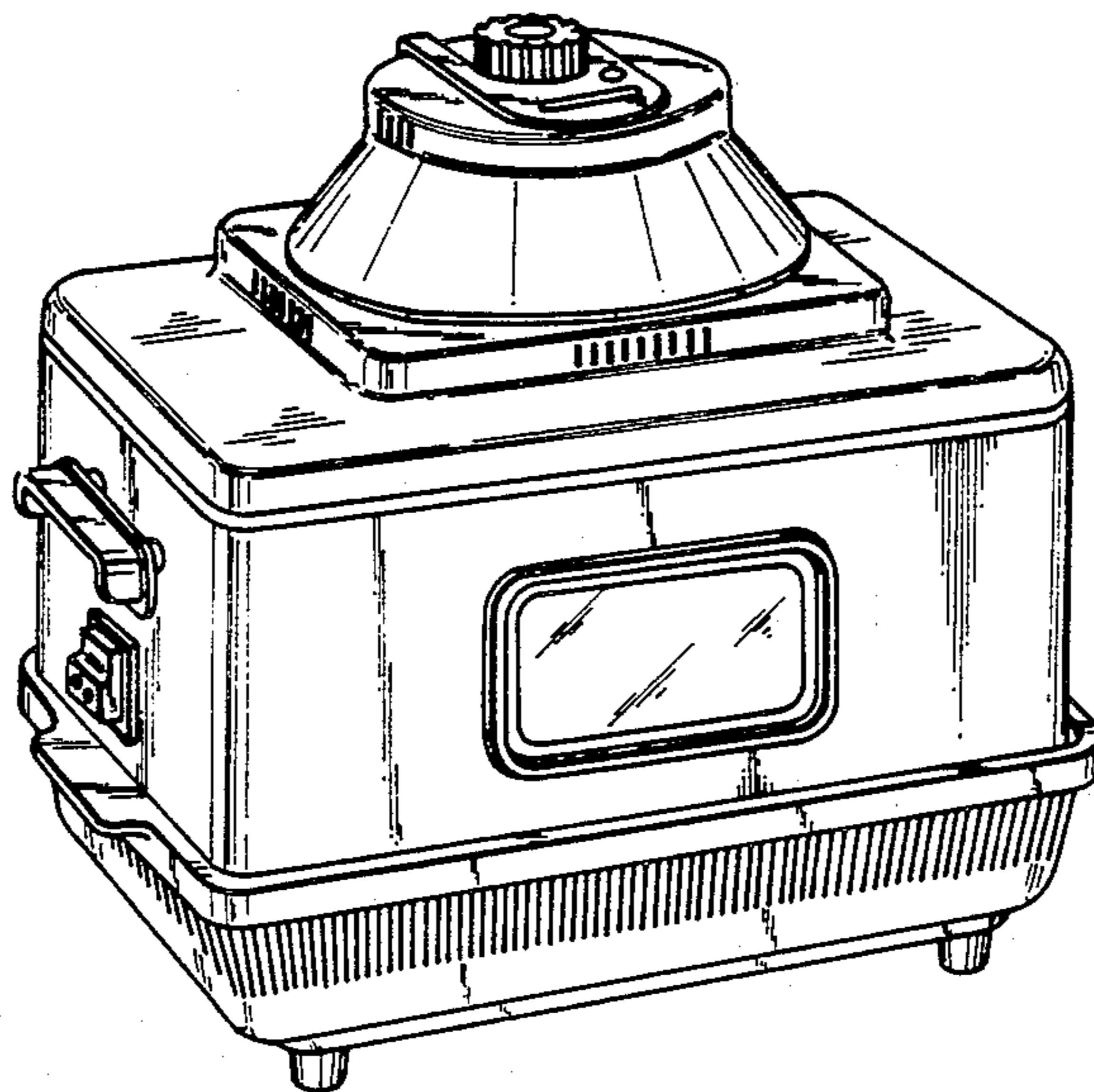


FIG. 3

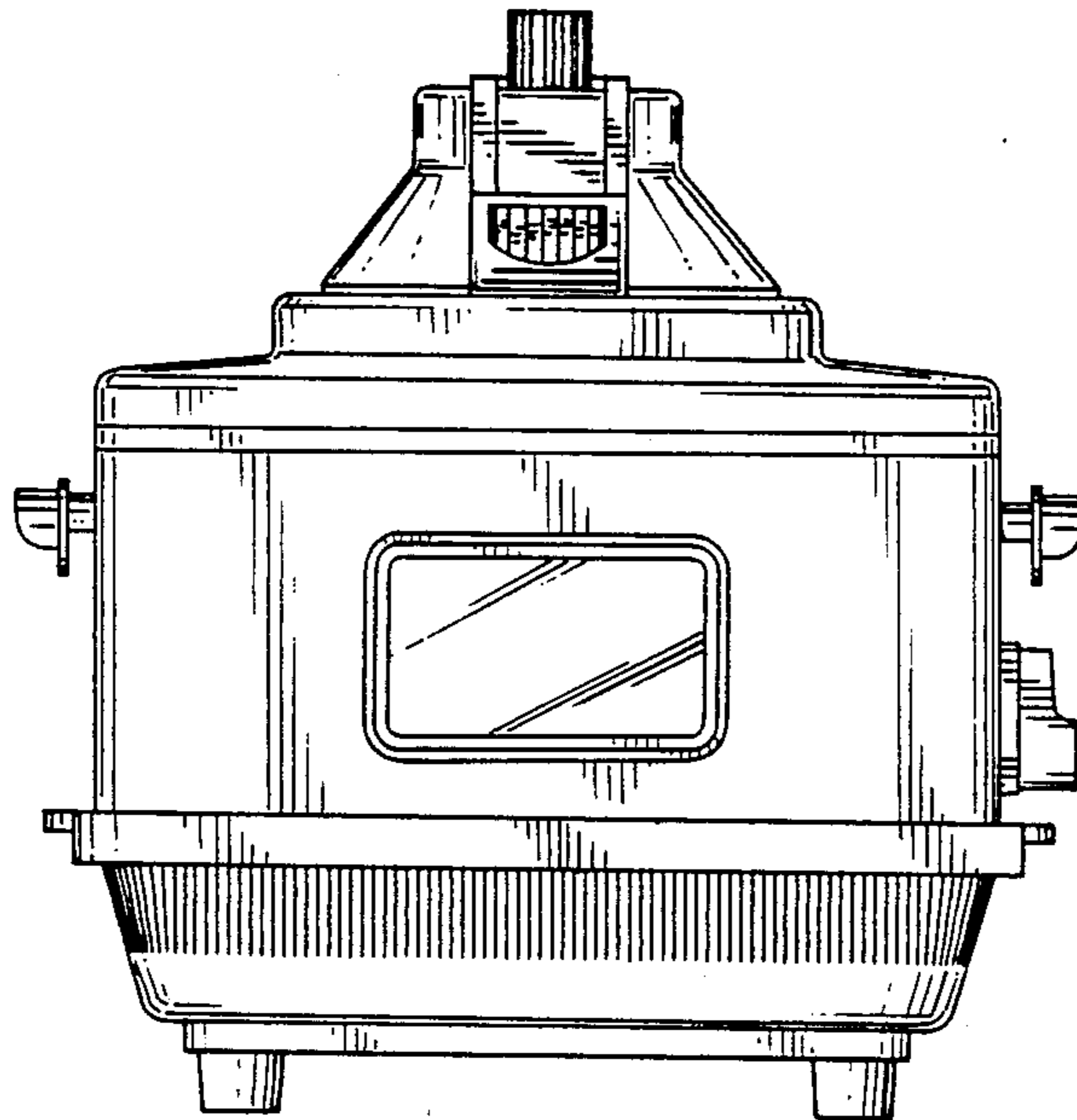


FIG. 4

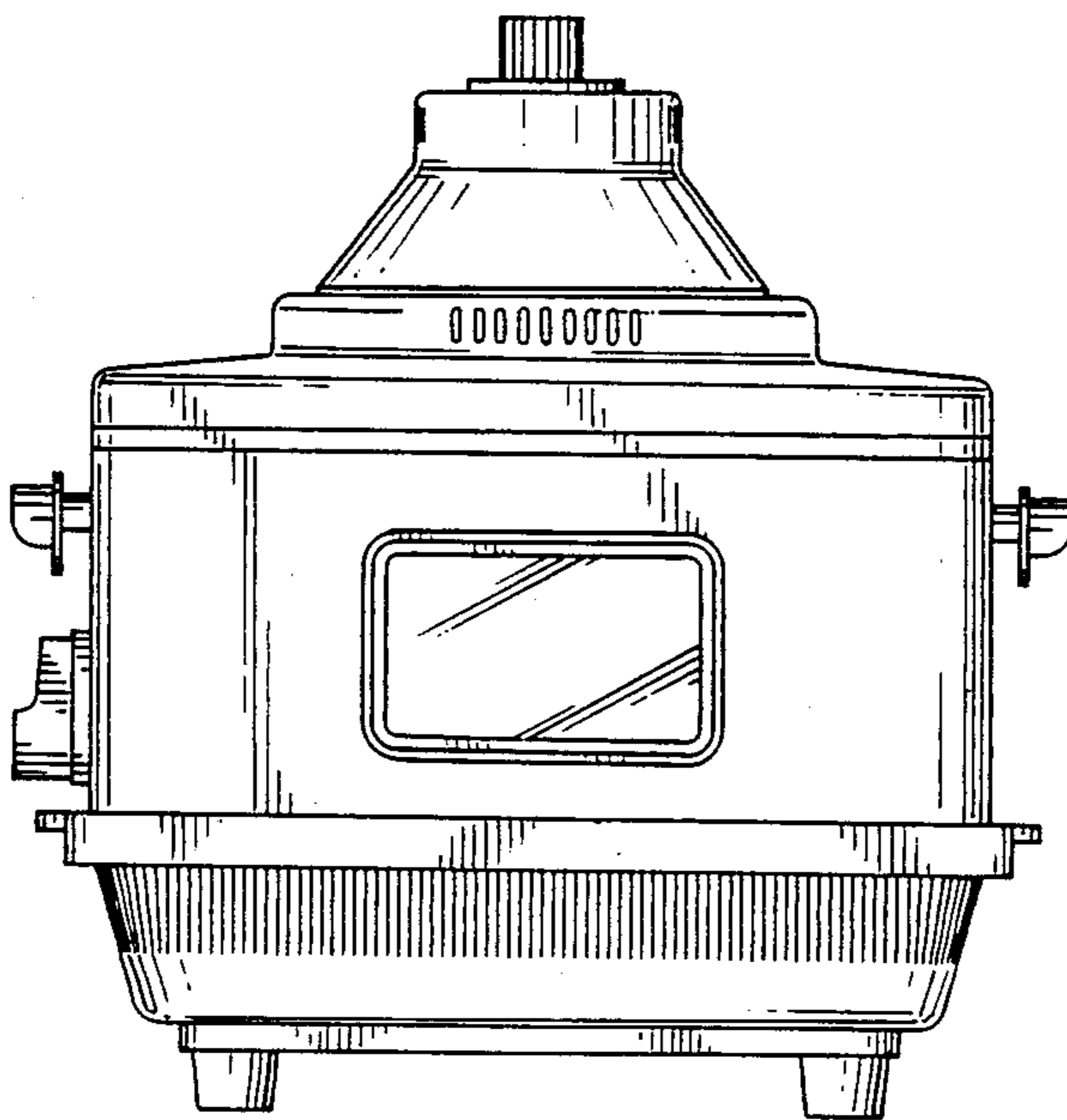


FIG. 5

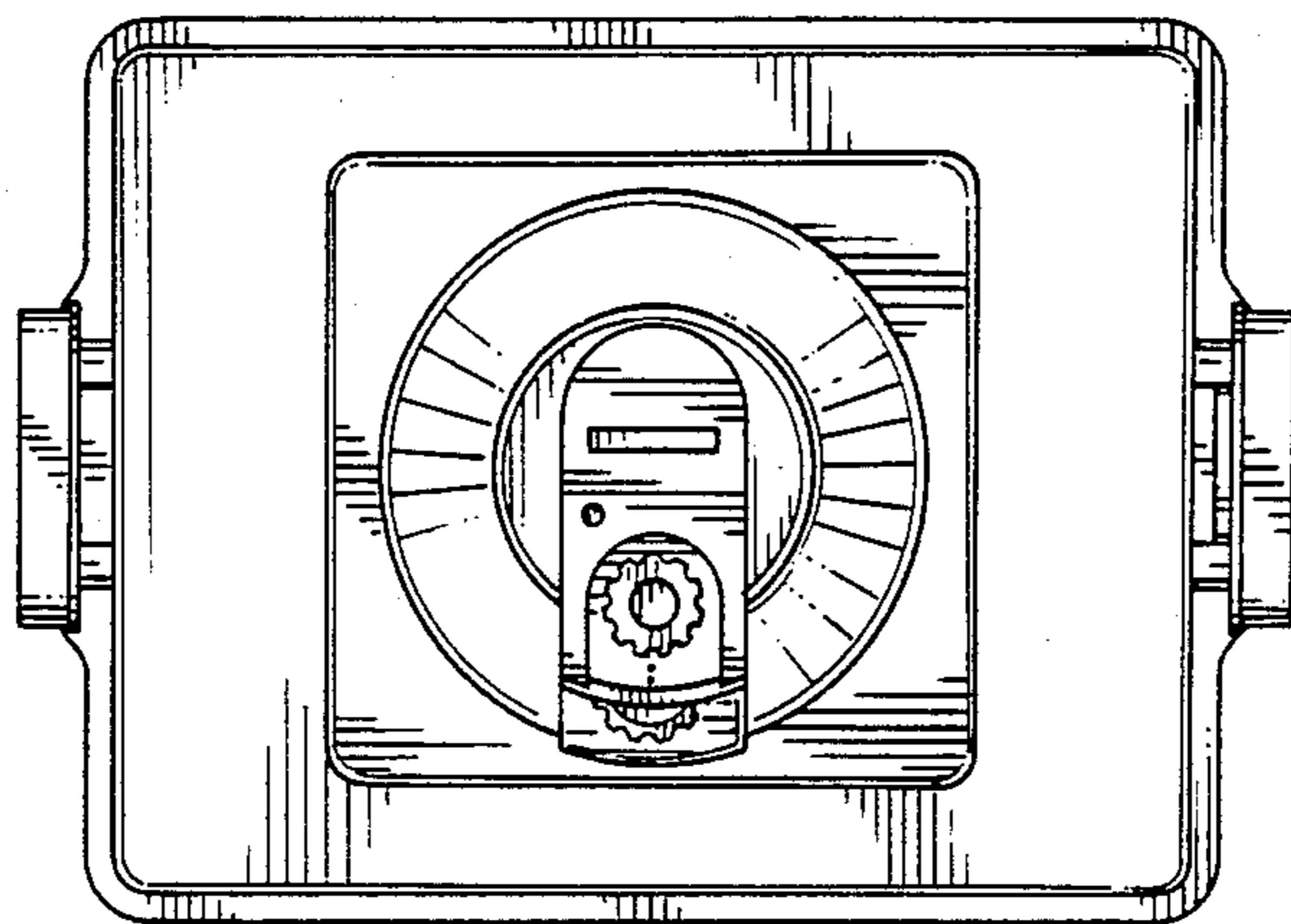


FIG. 6

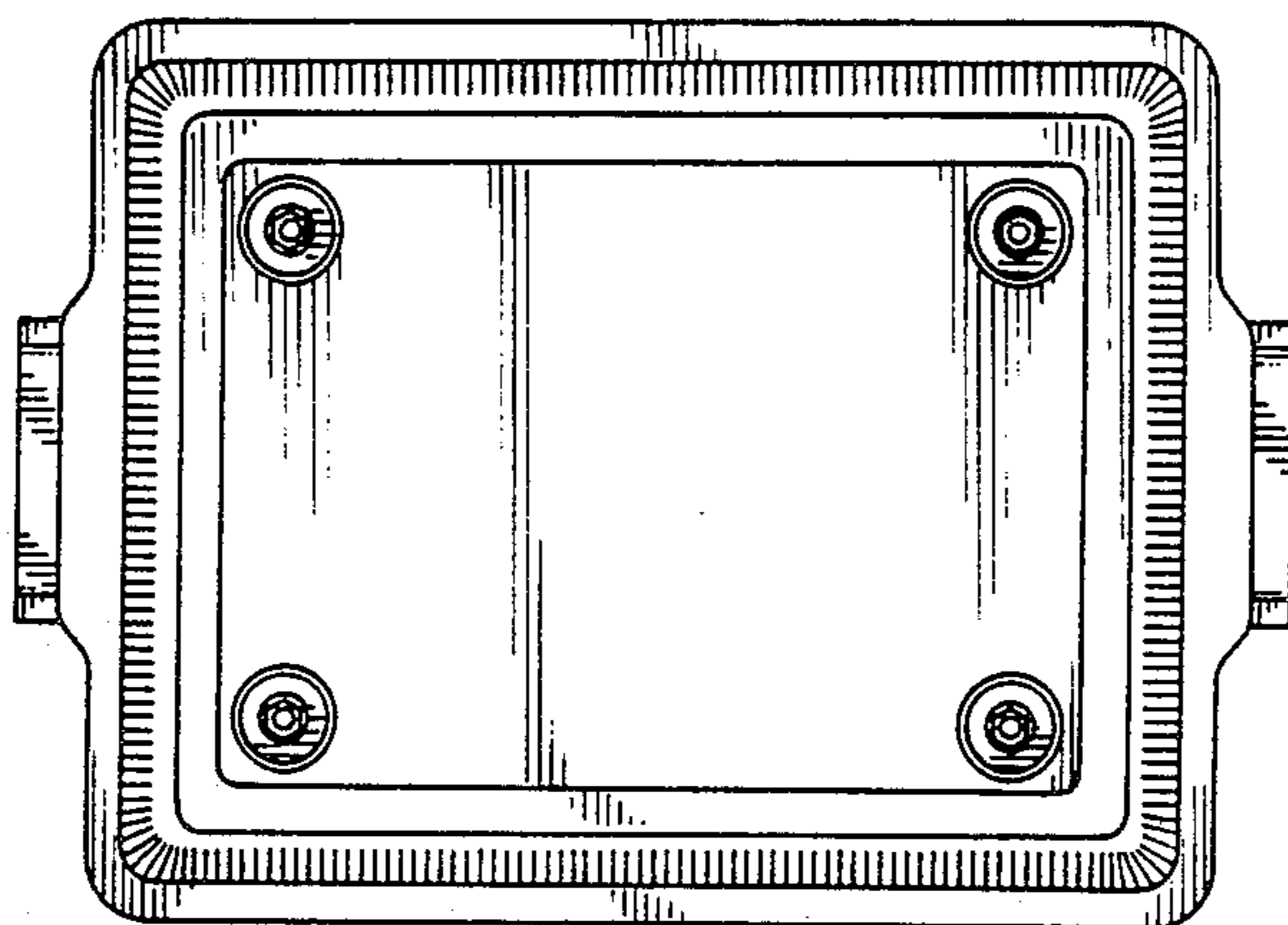


FIG. 7

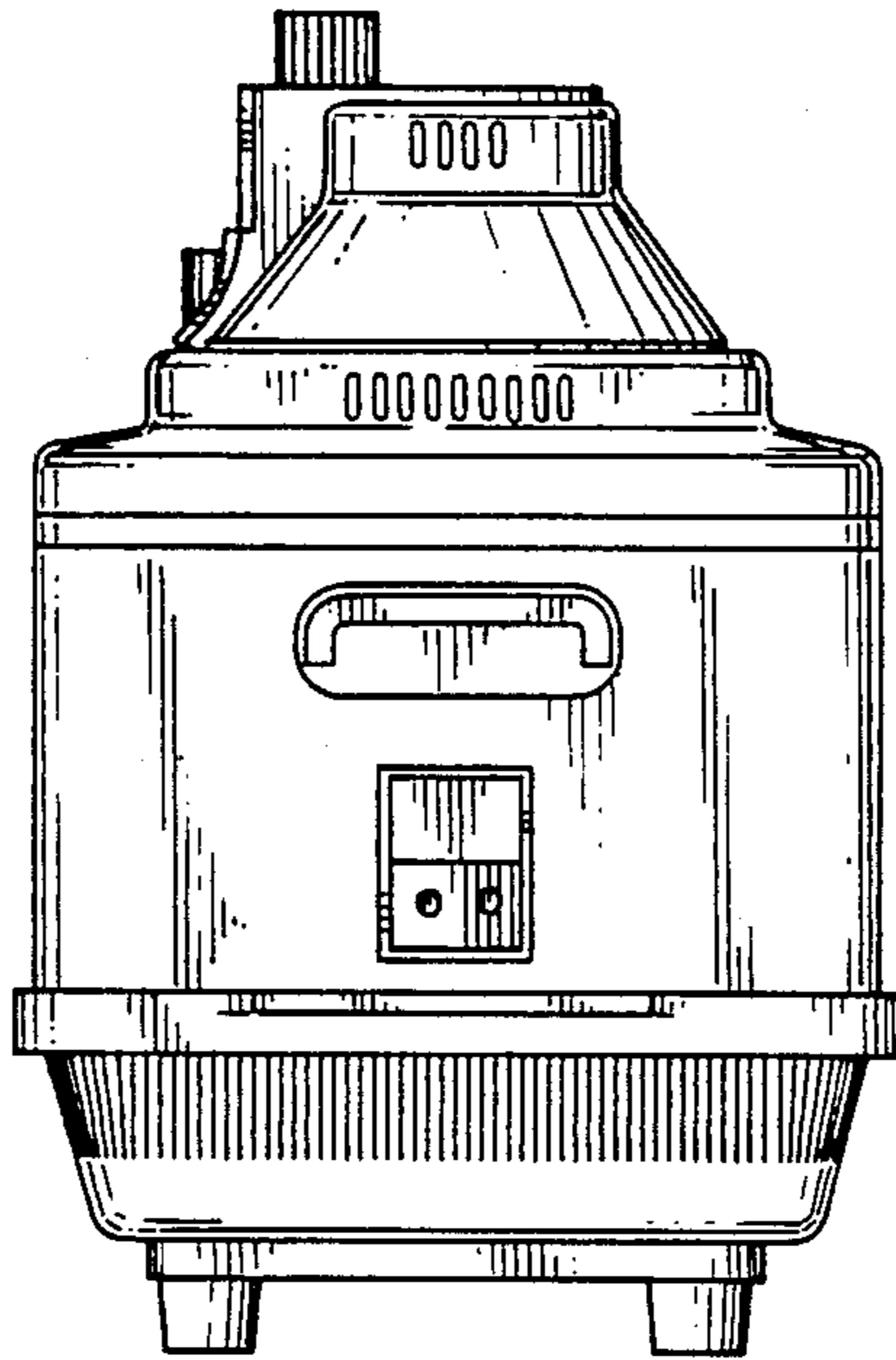


FIG. 8

