

[54] ELECTRIC INSULATED BEVERAGE DISPENSER OR THE LIKE

[75] Inventors: Seishin Seike, Osaka, Japan; Mario Bellini, Rotterdam, Netherlands

[73] Assignee: Zojirushi Vacuum Bottle, Co., Ltd., Osaka, Japan

[\*] Notice: The portion of the term of this patent subsequent to Dec. 29, 2001 has been disclaimed.

[\*\*] Term: 14 Years

[21] Appl. No.: 667,310

[22] Filed: Nov. 1, 1984

[30] Foreign Application Priority Data

May 1, 1984 [JP] Japan ..... 59-017977

[52] U.S. Cl. .... D7/313; D7/77; D7/320

[58] Field of Search ..... D7/312, 316-320, D7/321, 322, 70, 77, 397, 398; 222/209; 99/312

[56] References Cited

U.S. PATENT DOCUMENTS

- D. 183,072 6/1958 Wentz ..... D7/398
- D. 231,764 6/1974 Roche ..... D7/77

- D. 248,440 7/1978 Bryan et al. .... D7/77 X
- D. 259,012 4/1981 Harris ..... D7/77
- D. 274,685 7/1984 Ohmoto ..... D7/77 X
- D. 280,691 9/1985 Santoiemma ..... D7/312
- 4,359,174 11/1982 Ikunosuke et al. .... 222/209 X

OTHER PUBLICATIONS

Japanese Sales Brochure, Published by Zojirushi Vacuum Bottle Co., Ltd., Aug. 25, 1981.

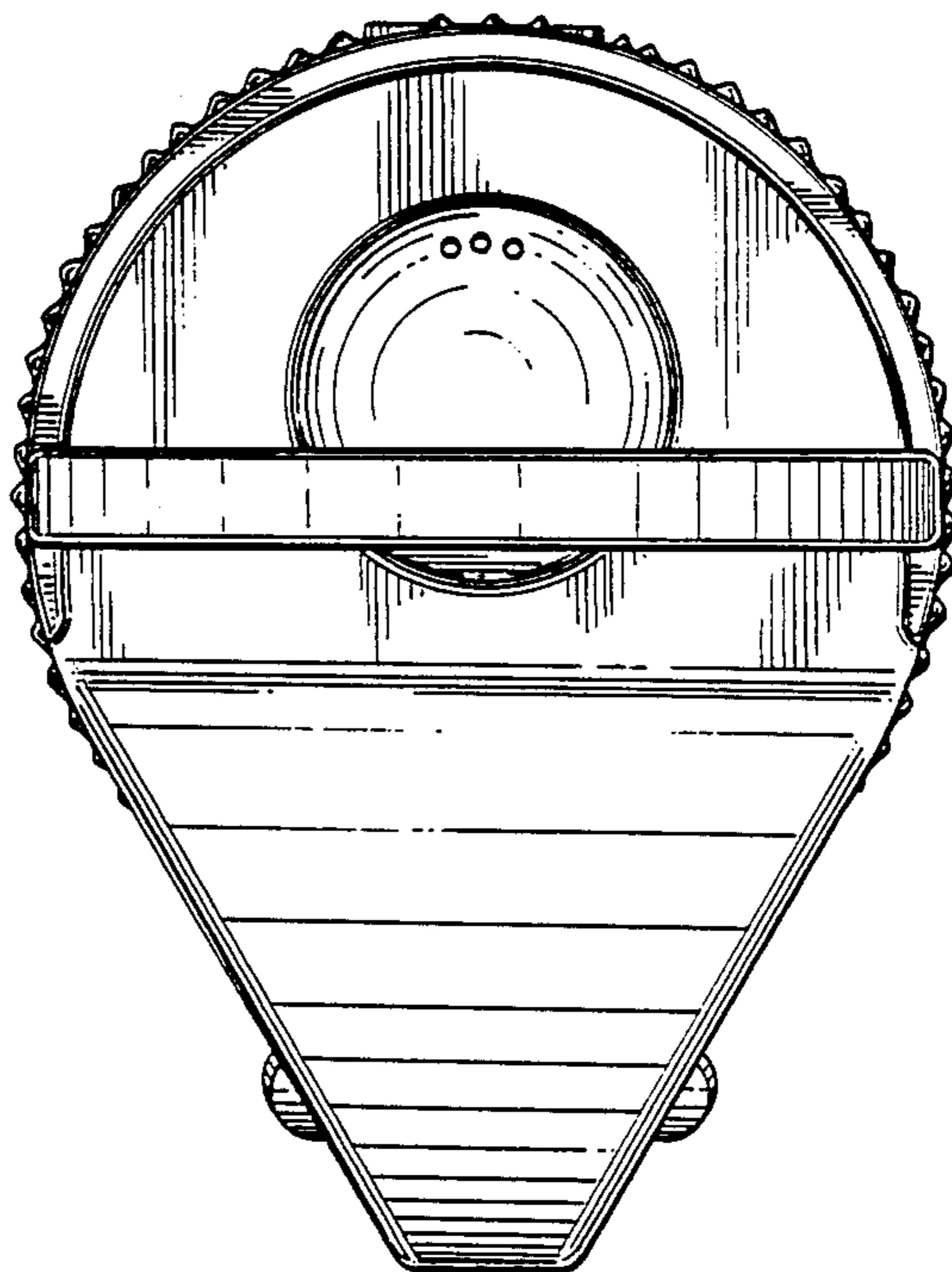
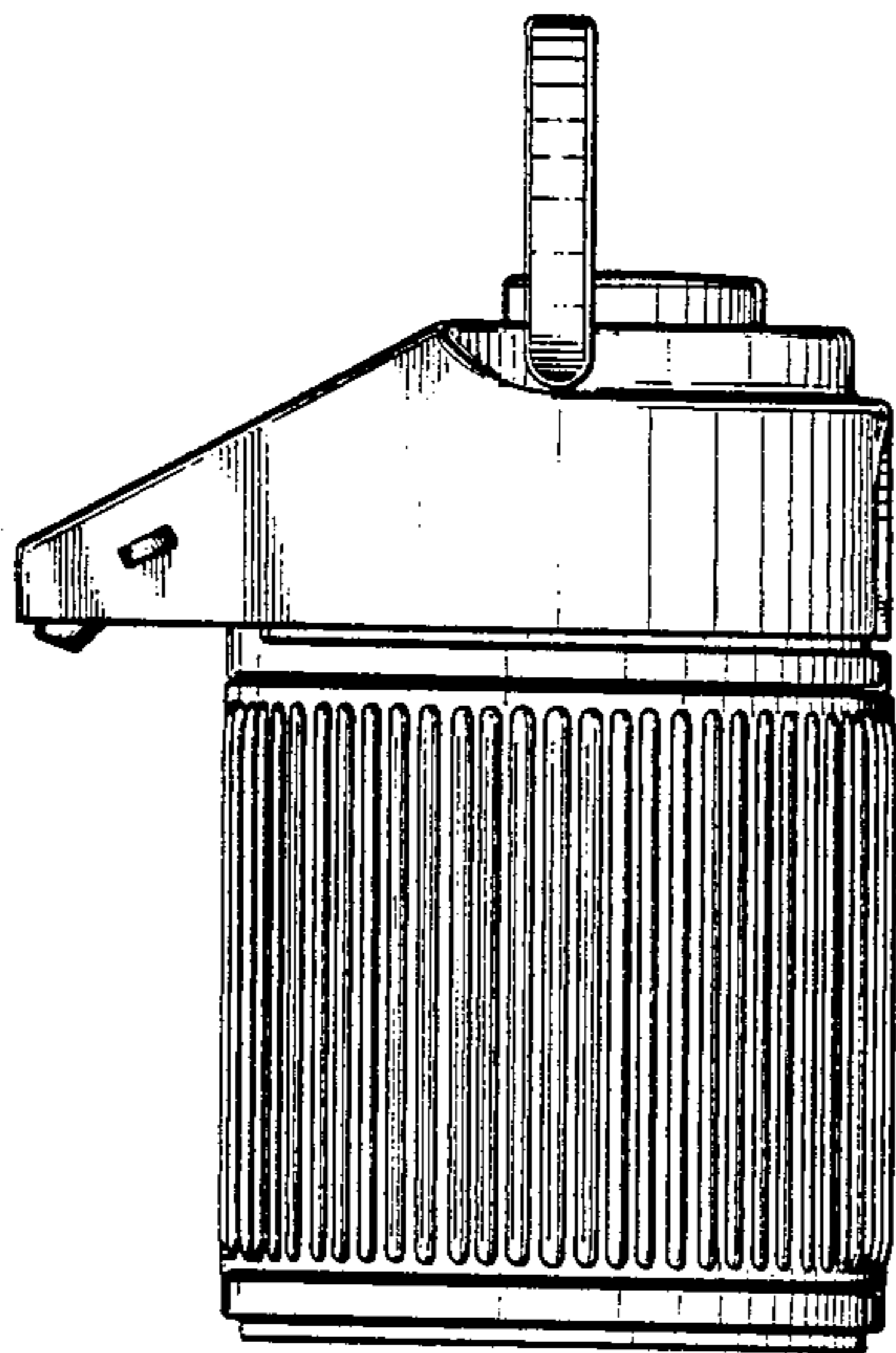
Primary Examiner—Winifred E. Herrmann  
Attorney, Agent, or Firm—Armstrong, Nikaido, Marmelstein & Kubovcik

[57] CLAIM

The ornamental design for an electric insulated beverage dispenser or the like, as shown and described.

DESCRIPTION

FIG. 1 is a front elevational view of an electric insulated beverage dispenser or the like showing our new design; FIG. 2 is a rear elevational view thereof; FIG. 3 is a top plan view thereof; FIG. 4 is a bottom plan view thereof; FIG. 5 is a right side elevational view thereof; FIG. 6 is a left side elevational view thereof; FIG. 7 is a view similar to FIG. 3 but showing the handle in its lowered position; FIG. 8 is a view similar to FIG. 5 but showing the handle in its lowered position.



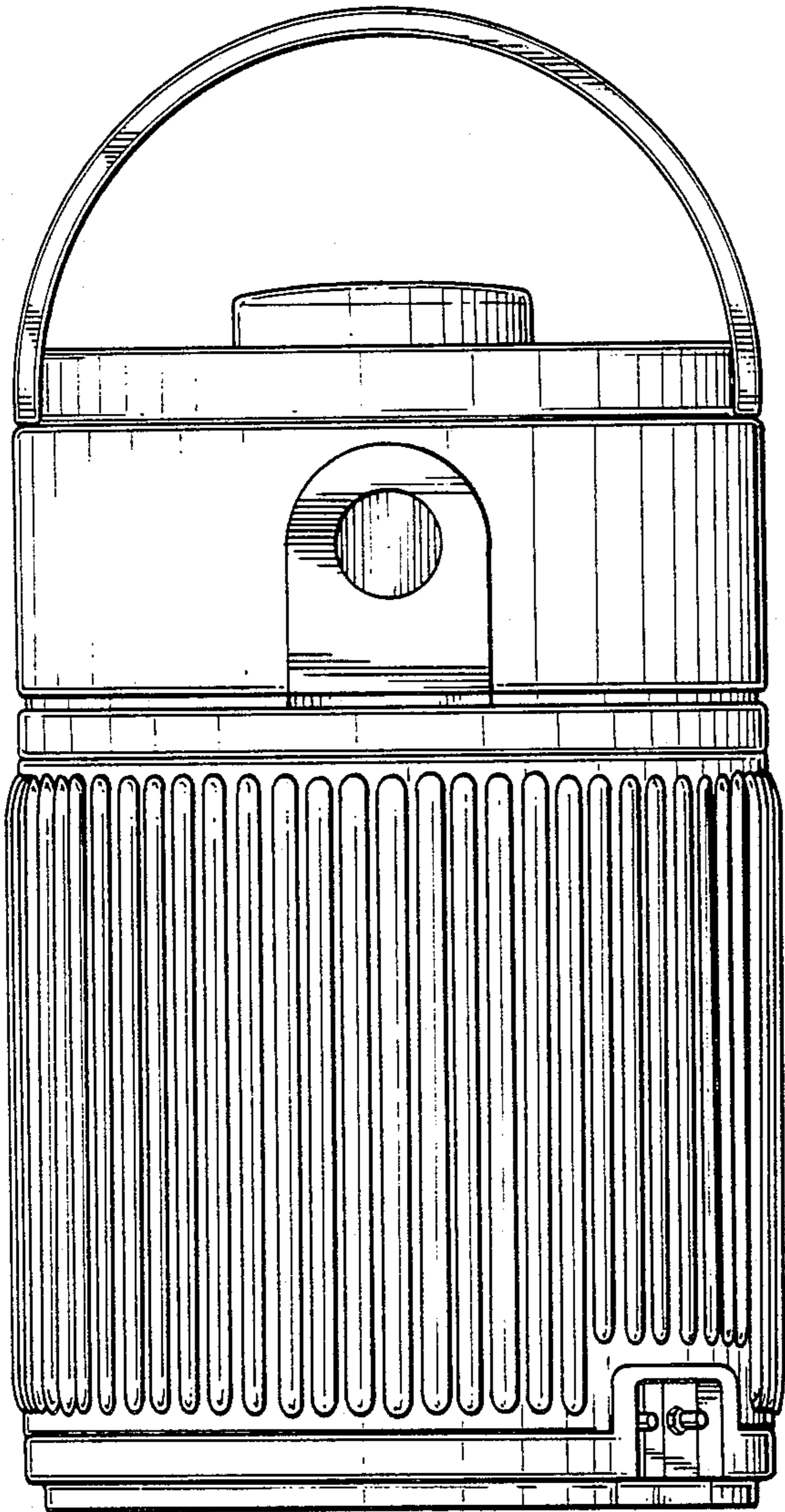


Fig. 2

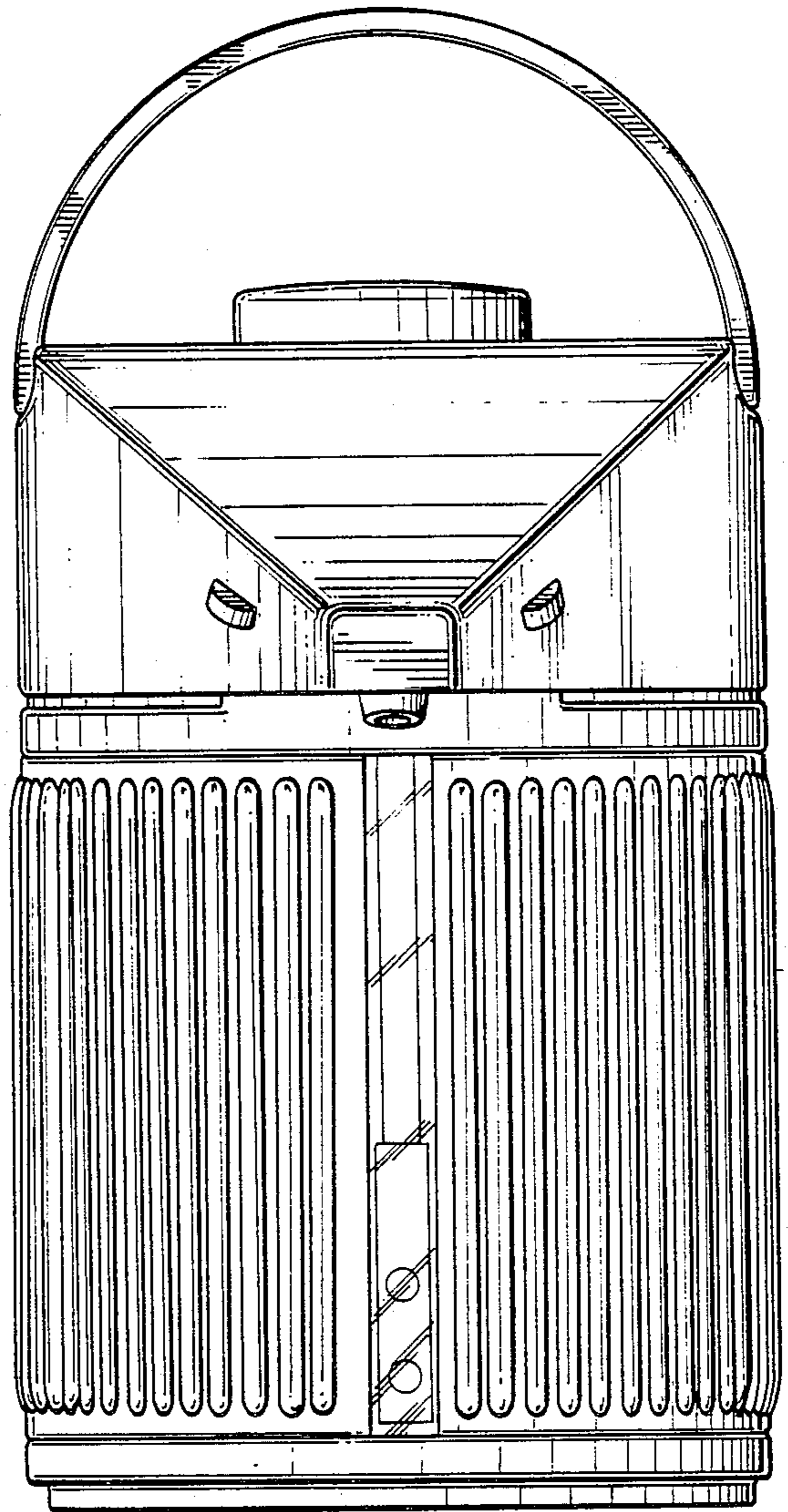


Fig. 1

Fig. 3

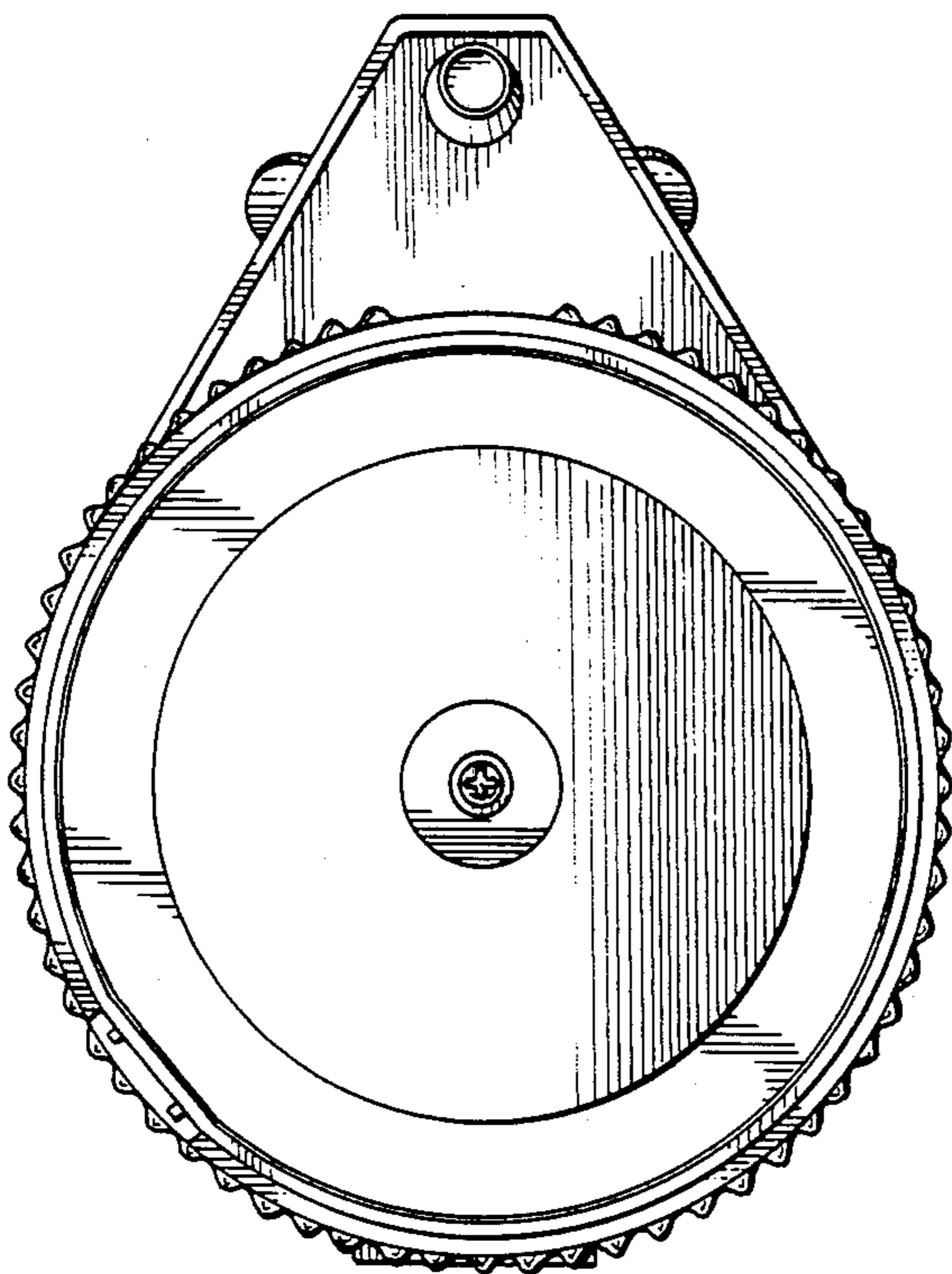
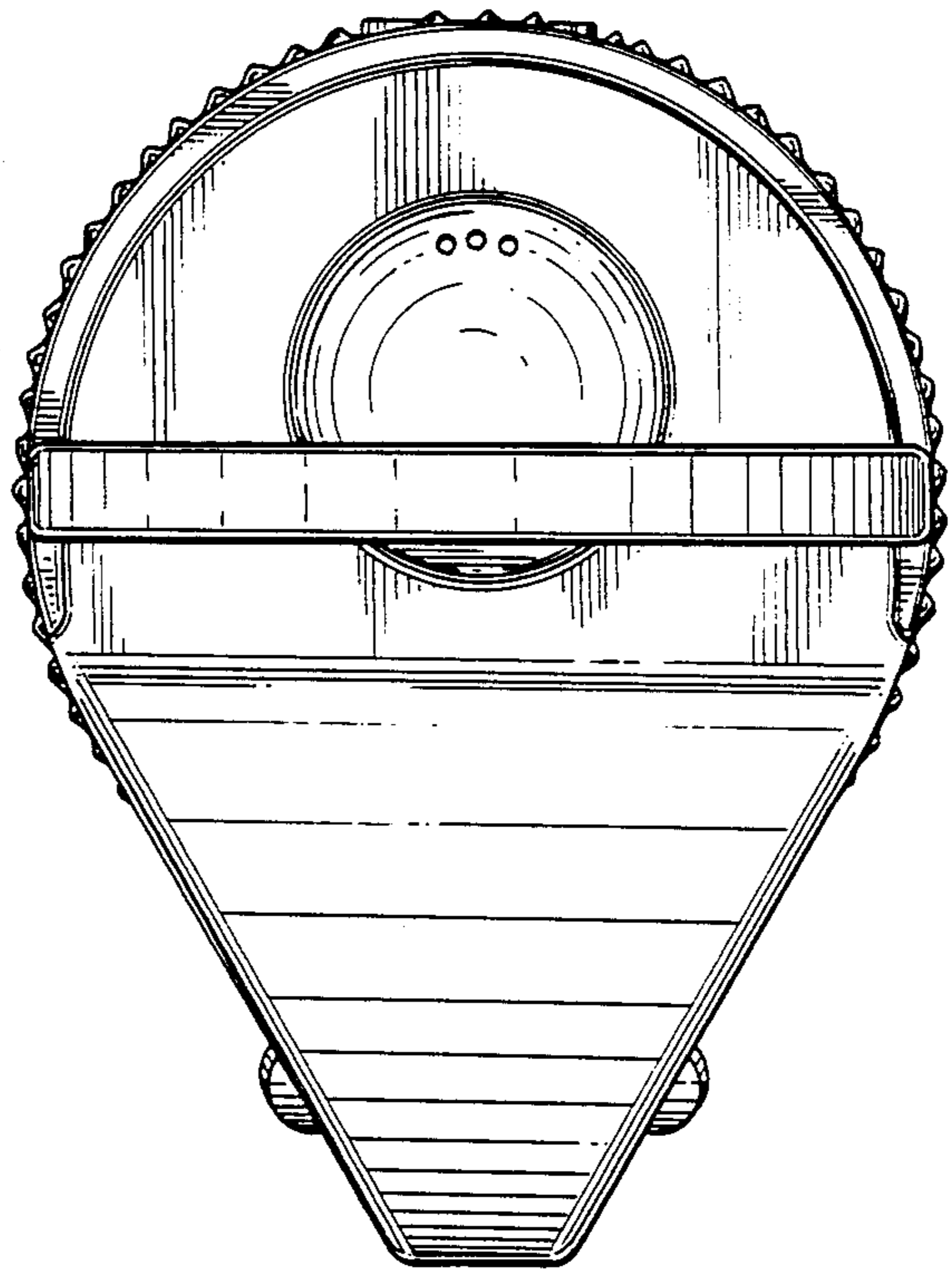


Fig. 4

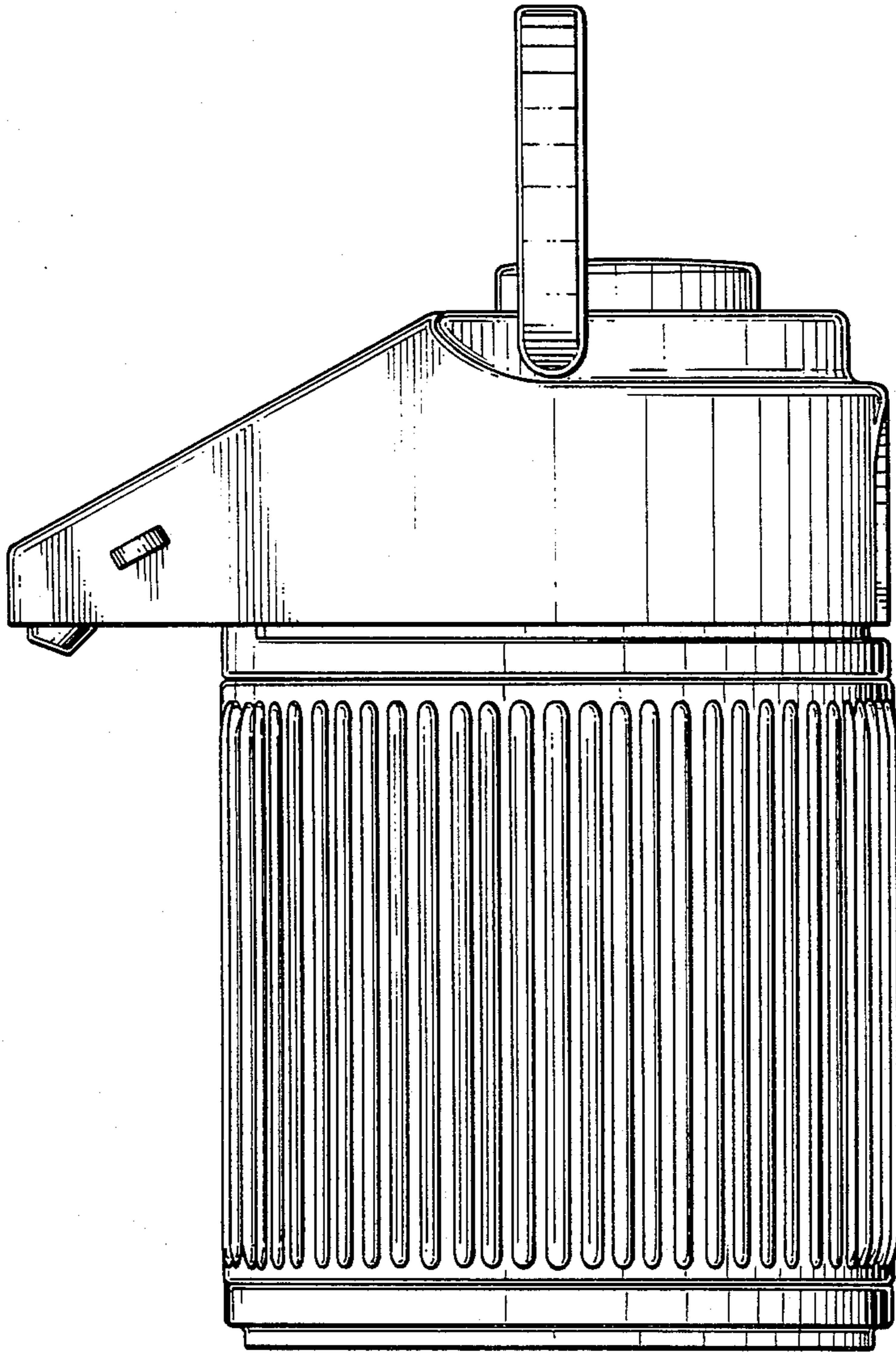


Fig. 5

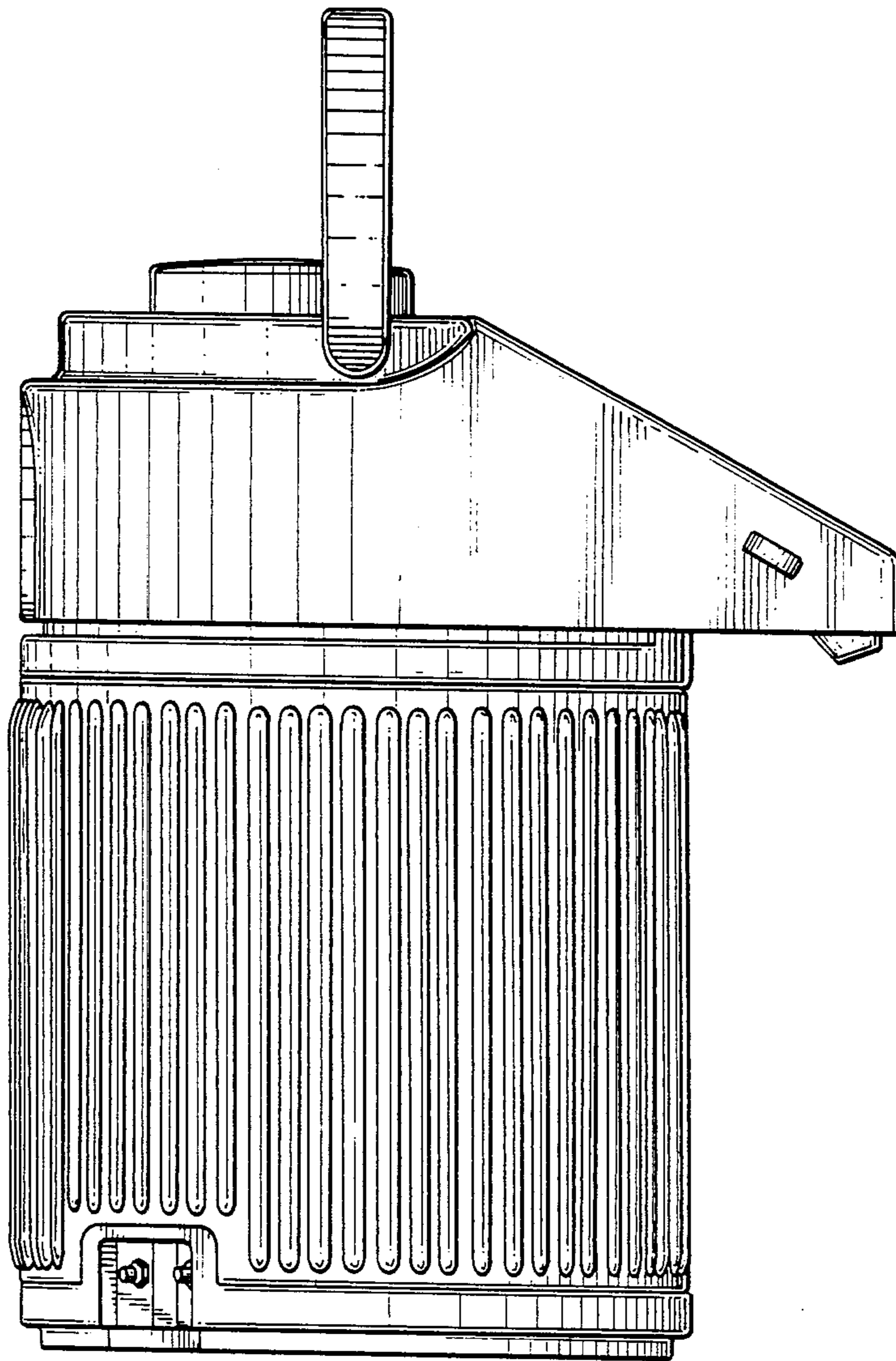


Fig. 6

Fig. 7

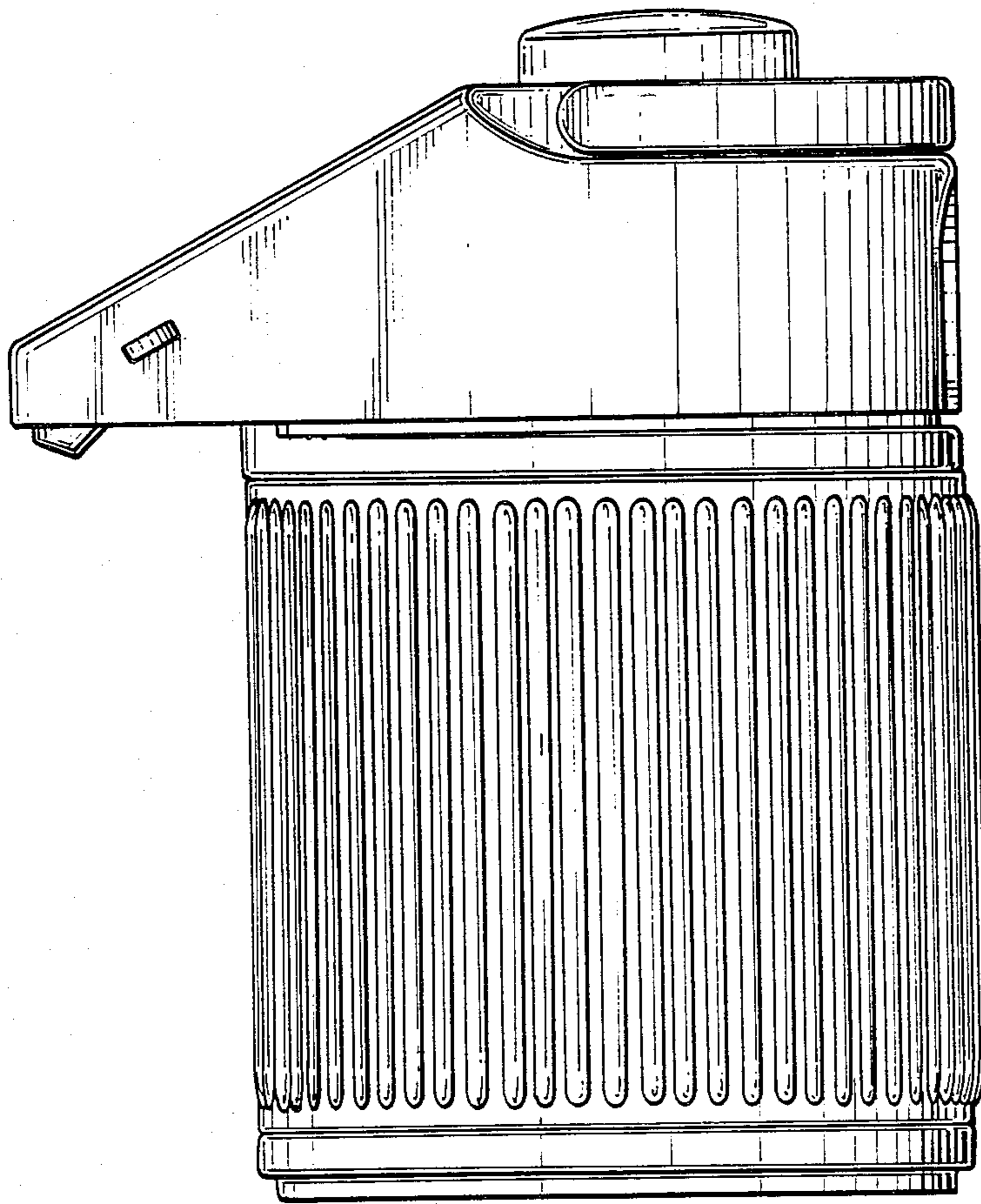
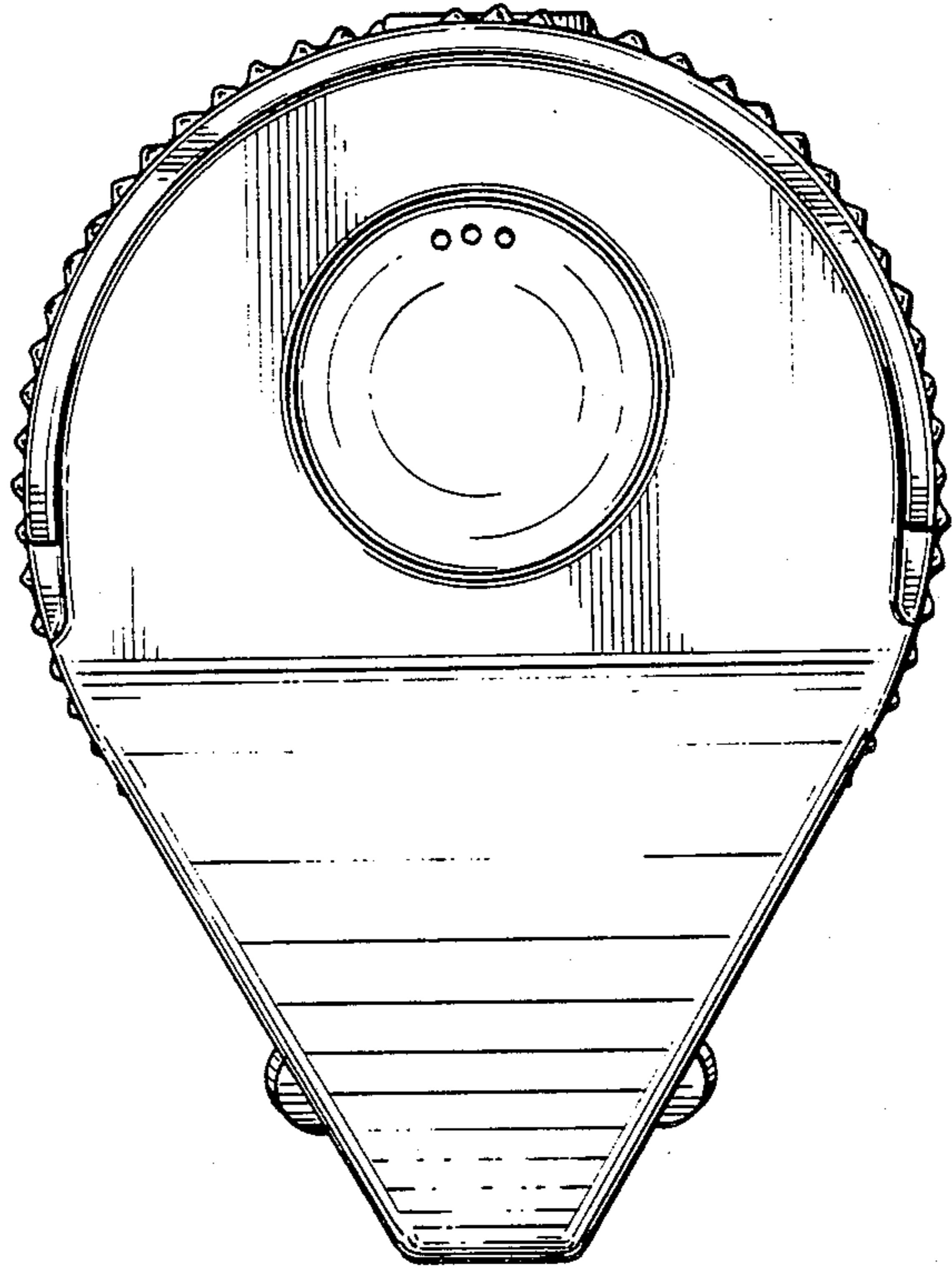


Fig. 8