

[54] **KEYBOARD SUPPORT DRAWER FOR COMPUTER WORKSTATION**

[75] Inventors: **David Wright, Shrewsbury; Richard M. Latino, Holden, both of Mass.**

[73] Assignee: **Wright Line Inc., Worcester, Mass.**

[**] Term: **14 Years**

[21] Appl. No.: **697,679**

[22] Filed: **Feb. 4, 1985**

[52] U.S. Cl. **D6/510**

[58] Field of Search **D6/429, 430, 479, 432, D6/436, 449, 474, 510, 511**

[56] **References Cited**

U.S. PATENT DOCUMENTS

- D. 265,957 8/1982 Wolf et al. D6/430 X
- D. 280,684 9/1985 Cervero D6/429 X

- D. 282,421 2/1986 Lewellen et al. D6/429 X
- D. 285,632 9/1986 Axhamre D6/429 X

Primary Examiner—Bruce W. Dunkins
Attorney, Agent, or Firm—Milton E. Gilbert

[57] **CLAIM**

The ornamental design for a keyboard support drawer for computer workstation, as shown and described.

DESCRIPTION

FIG. 1 is a perspective view of a keyboard support drawer for computer workstation showing our design, a workstation being shown therein in broken lines for illustrative purposes only;

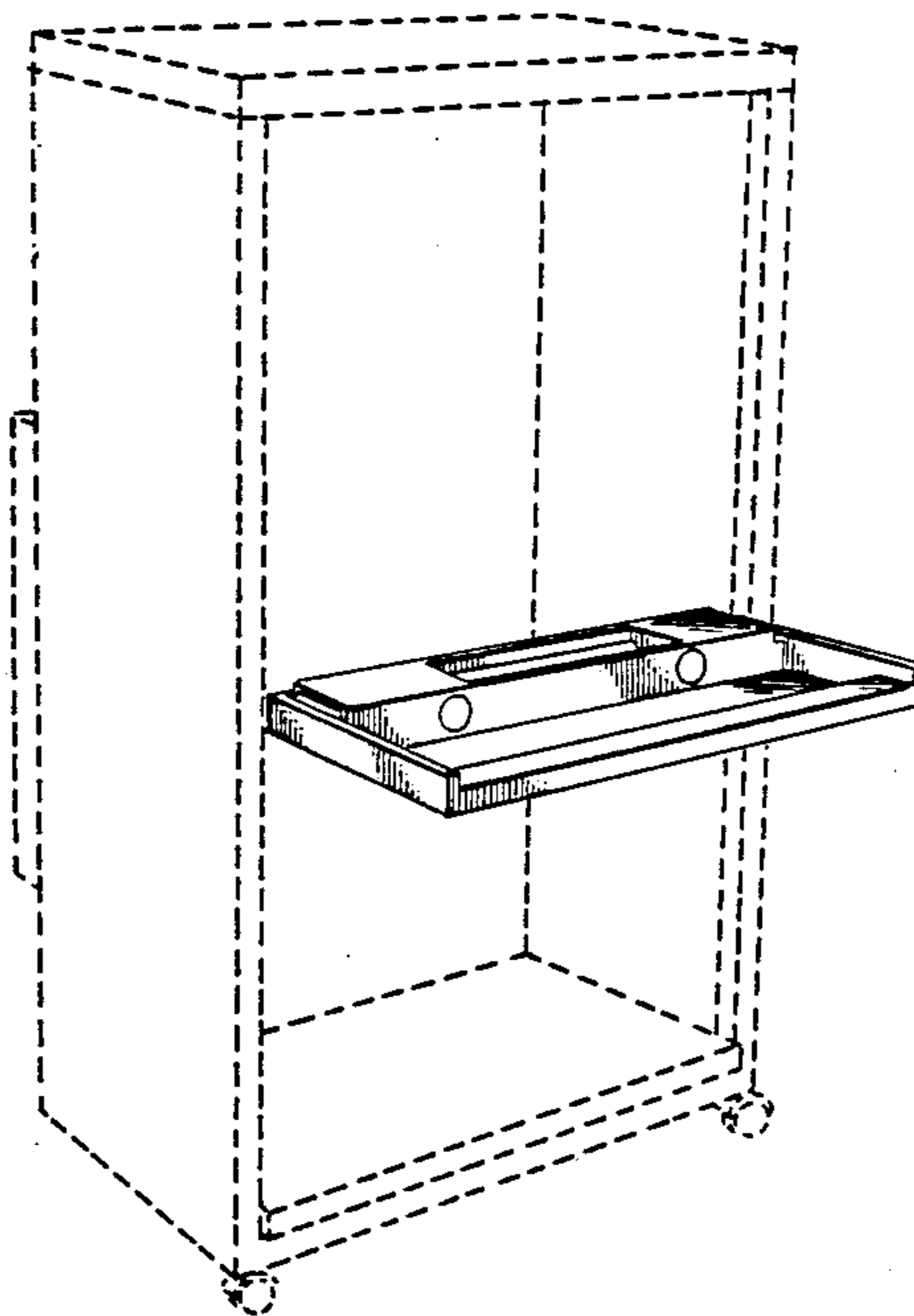
FIG. 2 is a front elevational view;

FIG. 3 is a right side elevational view, the undisclosed left side being a mirror image thereof;

FIG. 4 is a rear elevational view;

FIG. 5 is a top plan view; and

FIG. 6 is a bottom plan view thereof.



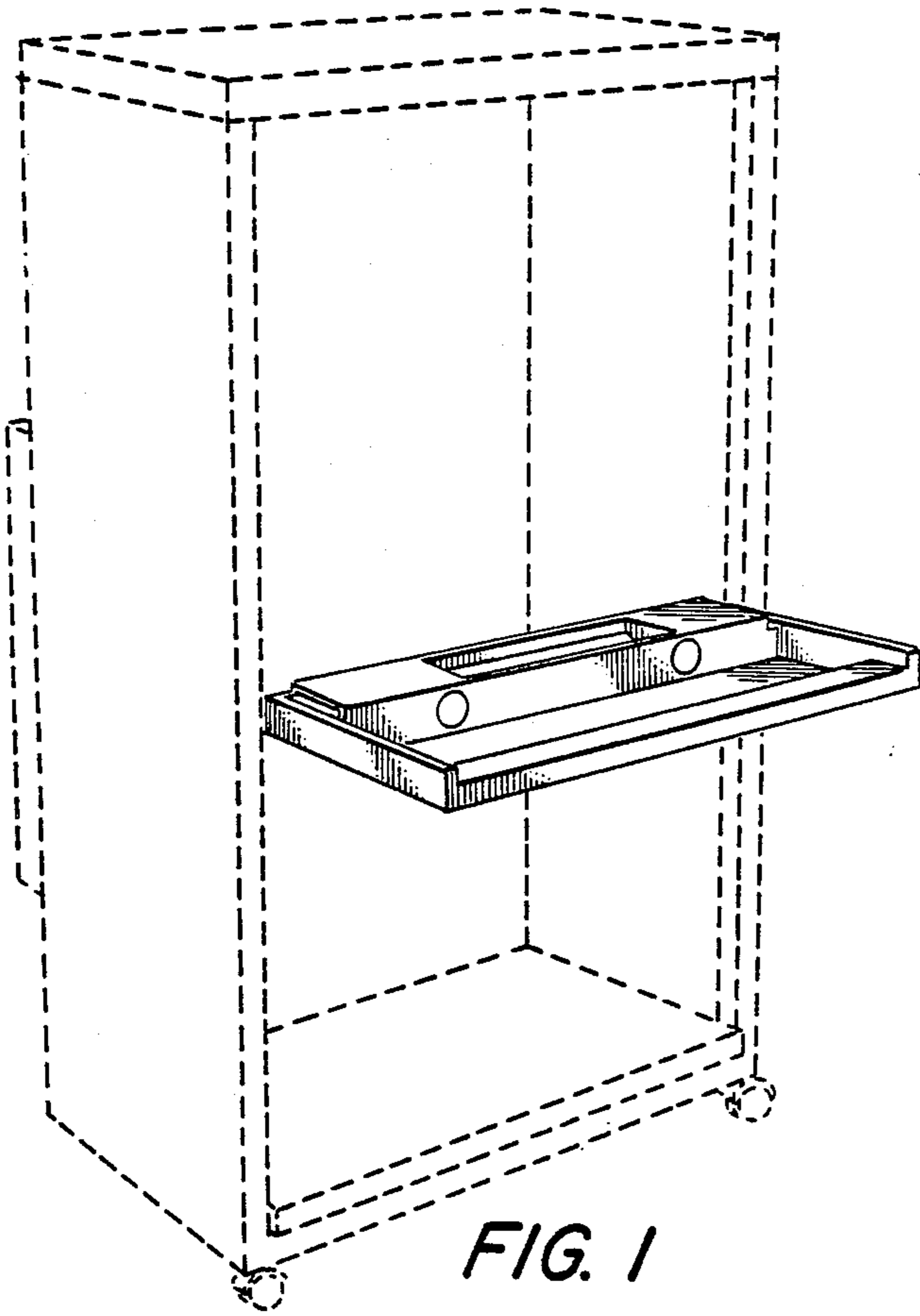


FIG. 1

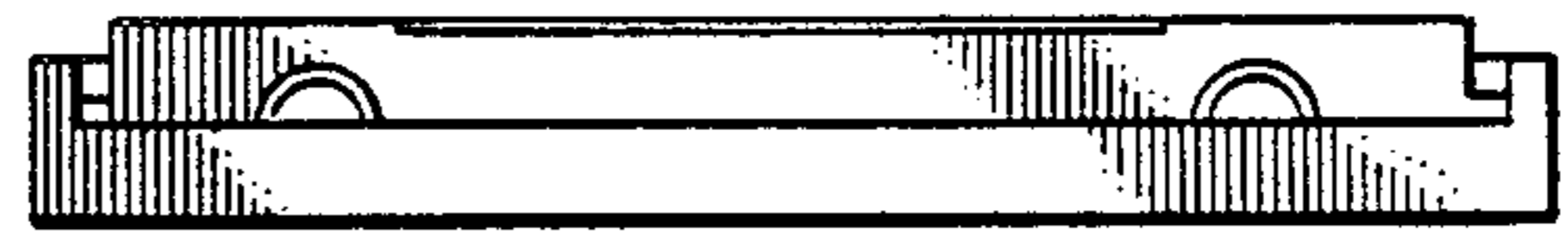


FIG. 2

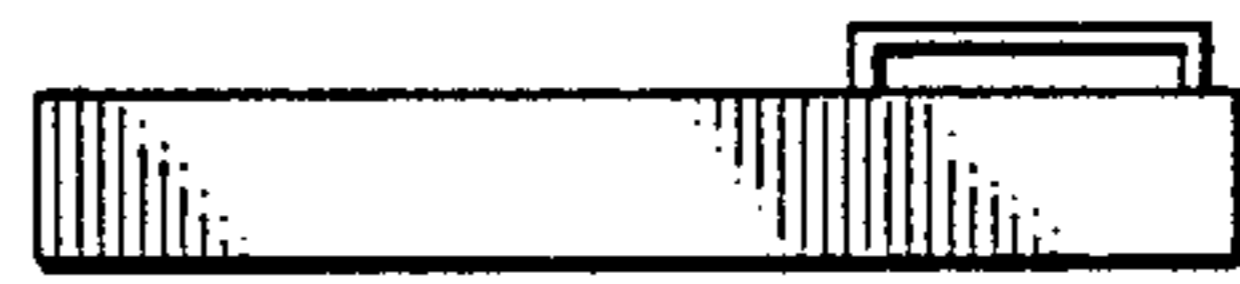


FIG. 3



FIG. 4

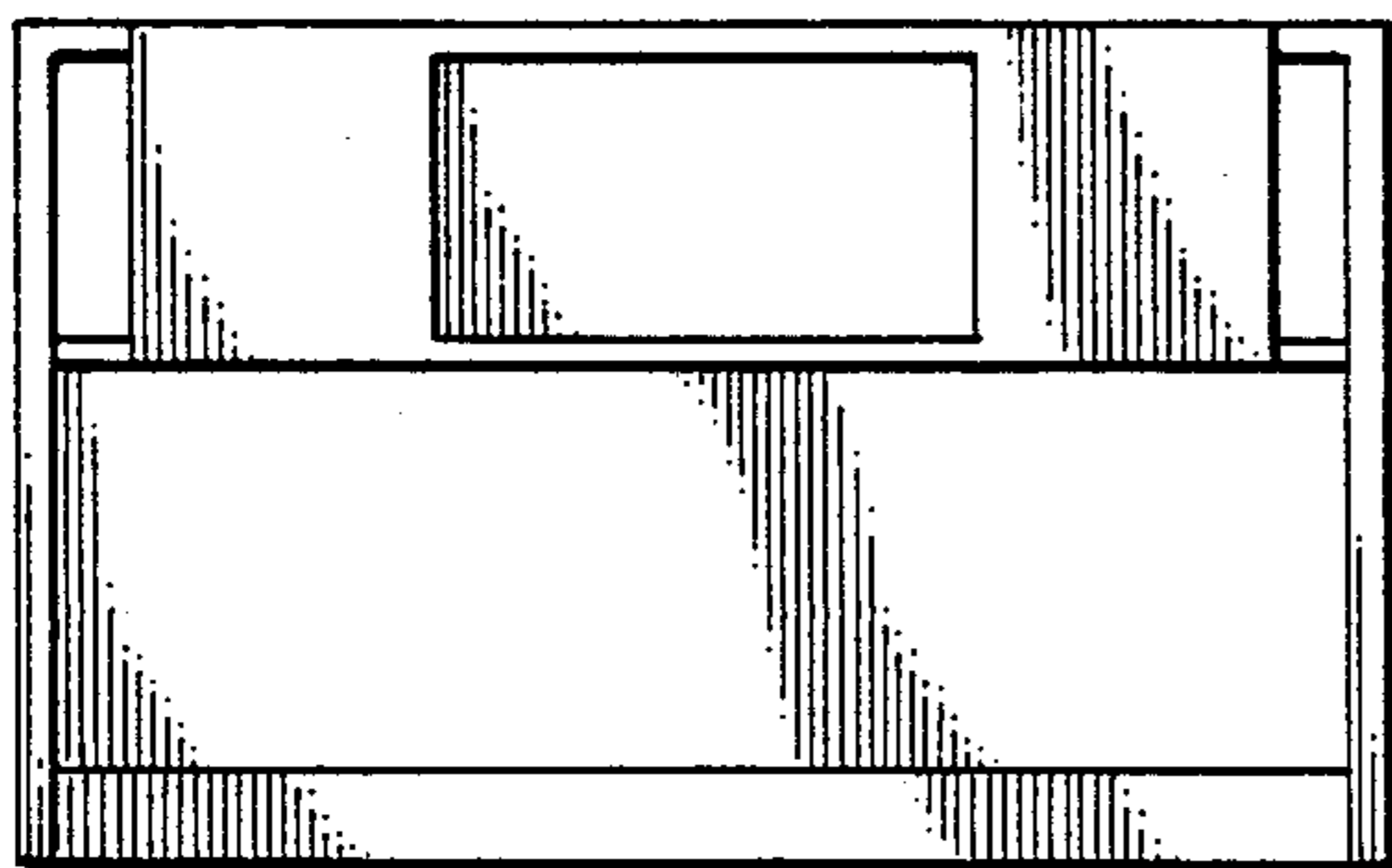


FIG. 5

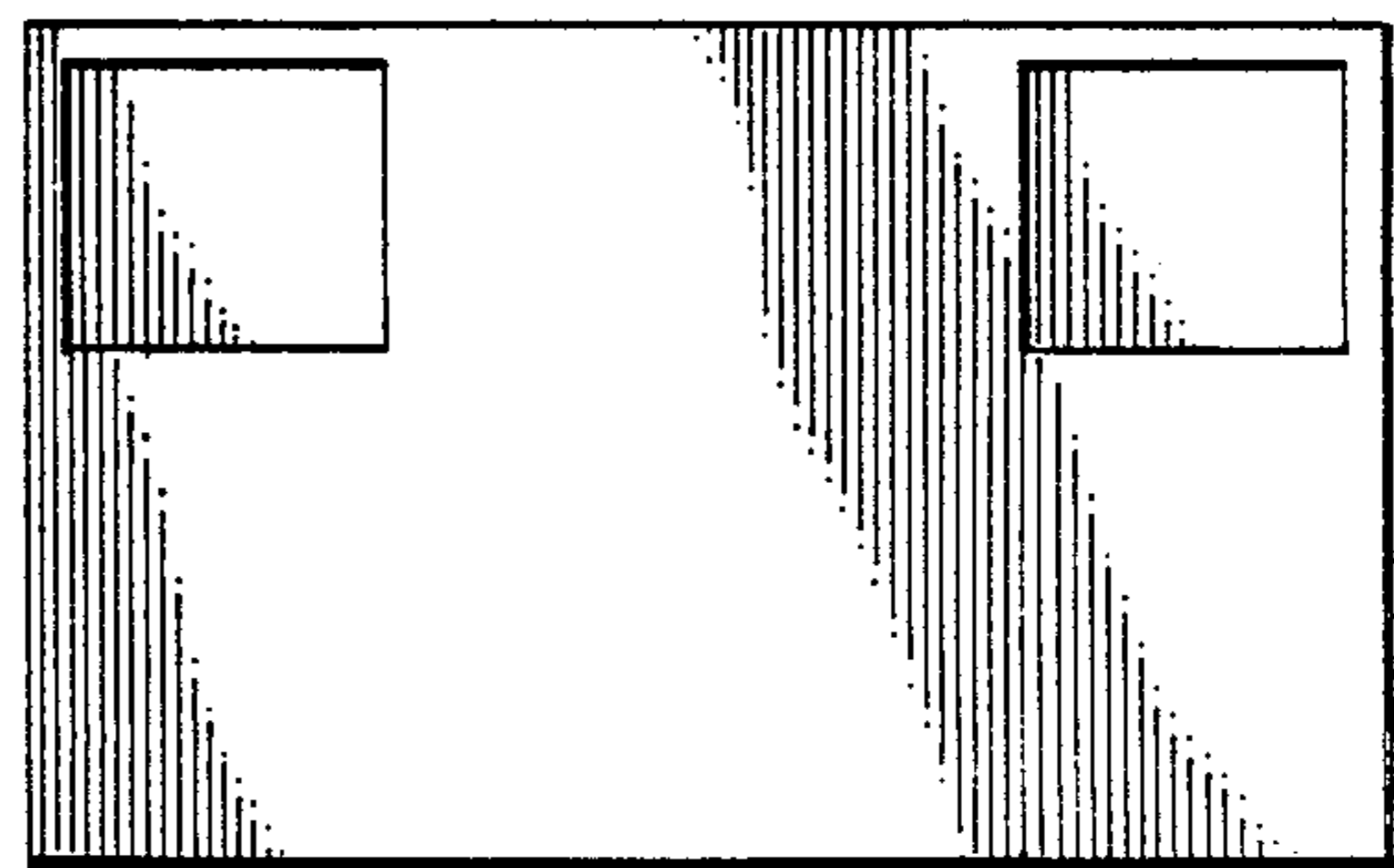


FIG. 6