

[54] DISPLAY STAND

[76] Inventor: Melvin M. Miller, 3617 Essex Ct.,
Bloomington, Ind. 47401

[*] Notice: The portion of the term of this patent
subsequent to Dec. 11, 1998 has been
disclaimed.

[**] Term: 14 Years

[21] Appl. No.: 733,914

[22] Filed: May 14, 1985

[52] U.S. Cl. D6/436

[58] Field of Search D6/449, 471, 481, 436;
D20/10, 19; 211/181; D25/16; 40/124, 124.1

[56] References Cited

U.S. PATENT DOCUMENTS

D. 276,679 12/1984 Miller D6/471

Primary Examiner—Carmen H. Vales
Attorney, Agent, or Firm—Donald R. Bahr

[57] CLAIM

The ornamental design for a display stand, as shown
and described.

DESCRIPTION

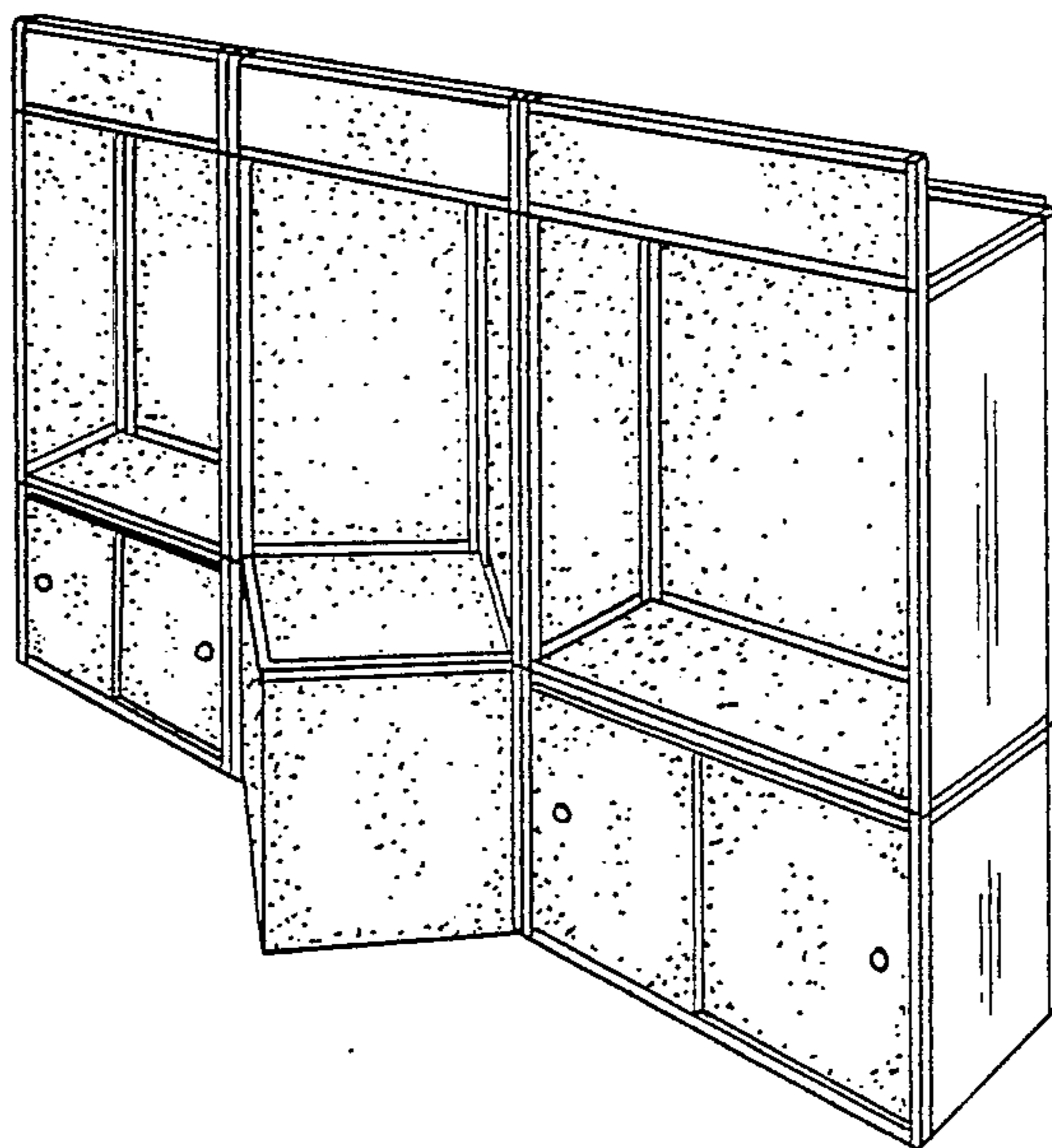
FIG. 1 is a right side perspective view of a display stand
showing my new design.

FIG. 2 is a top plan view thereof.

FIG. 3 is a front elevational view thereof.

FIG. 4 is a right side elevational view thereof.

FIG. 5 is a rear elevational view thereof.



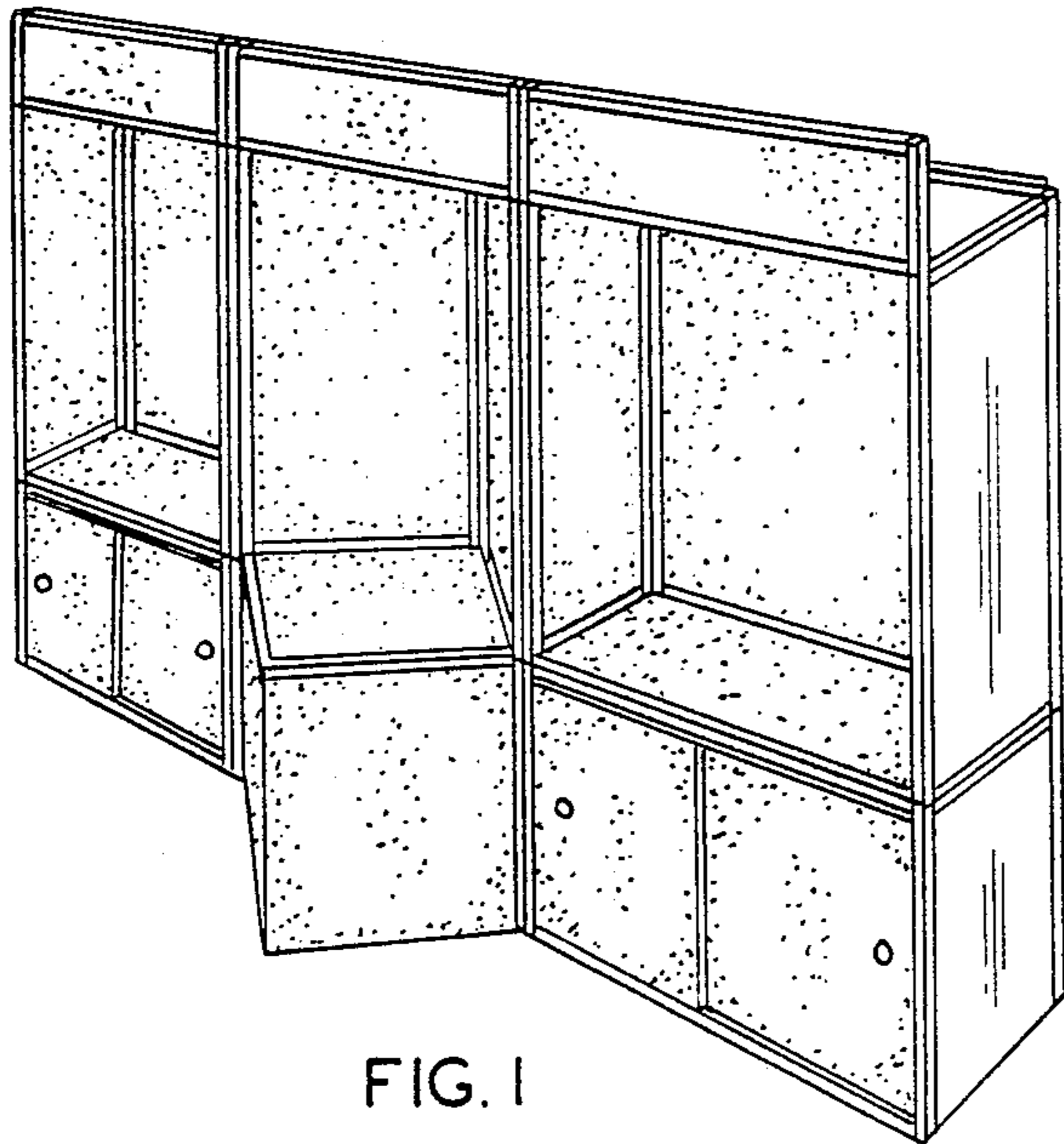


FIG. 1

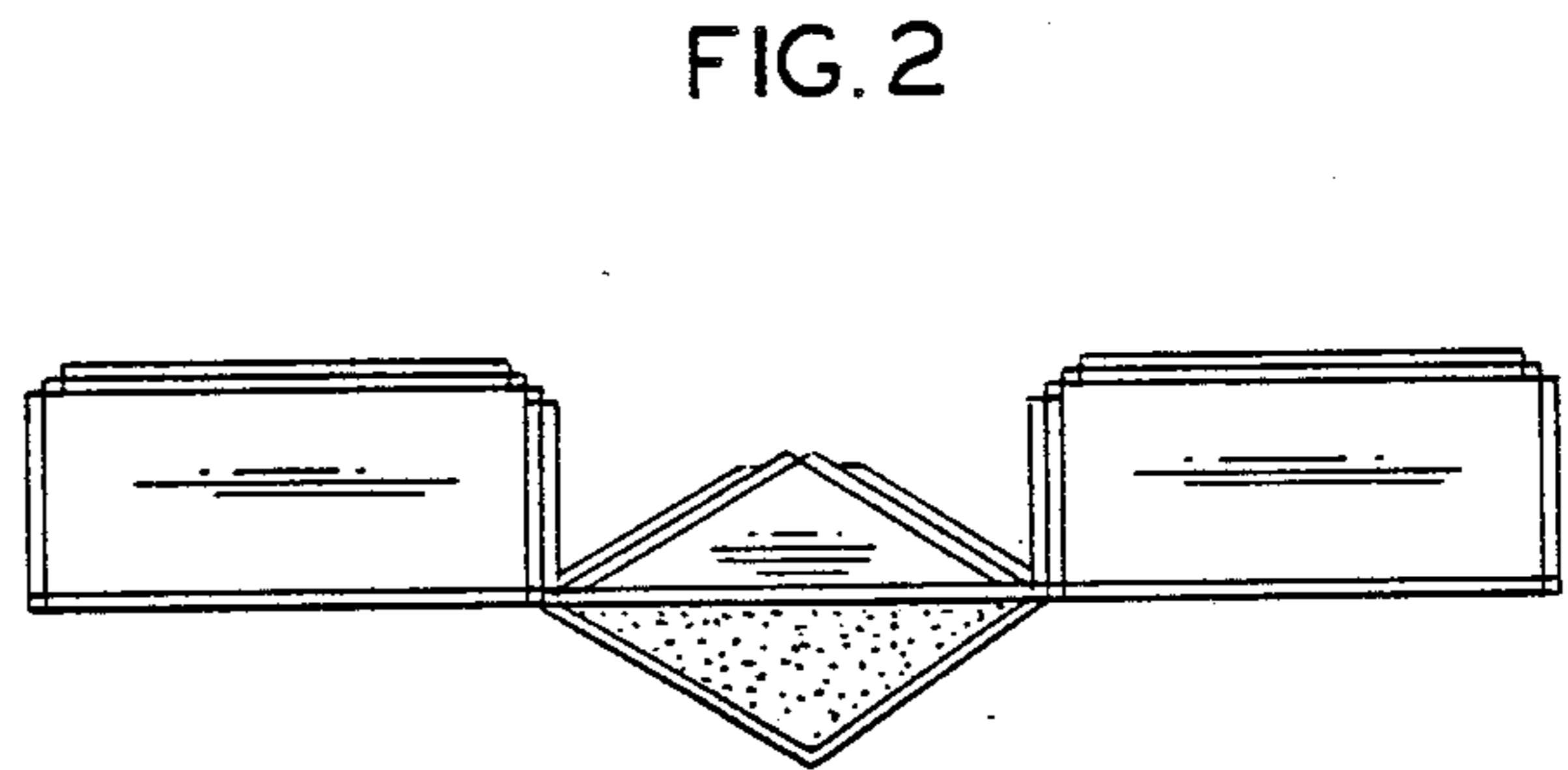


FIG. 2

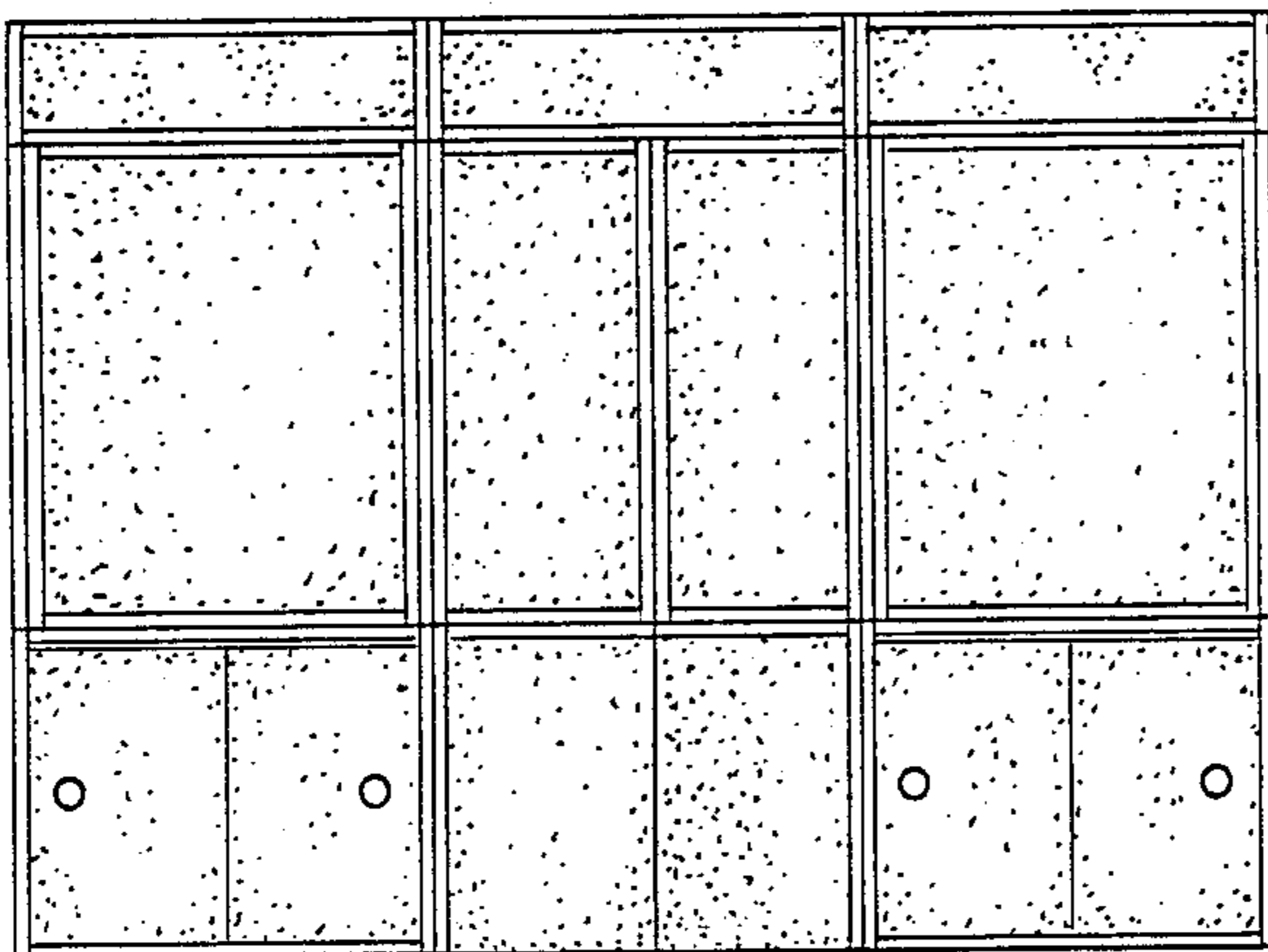


FIG. 3

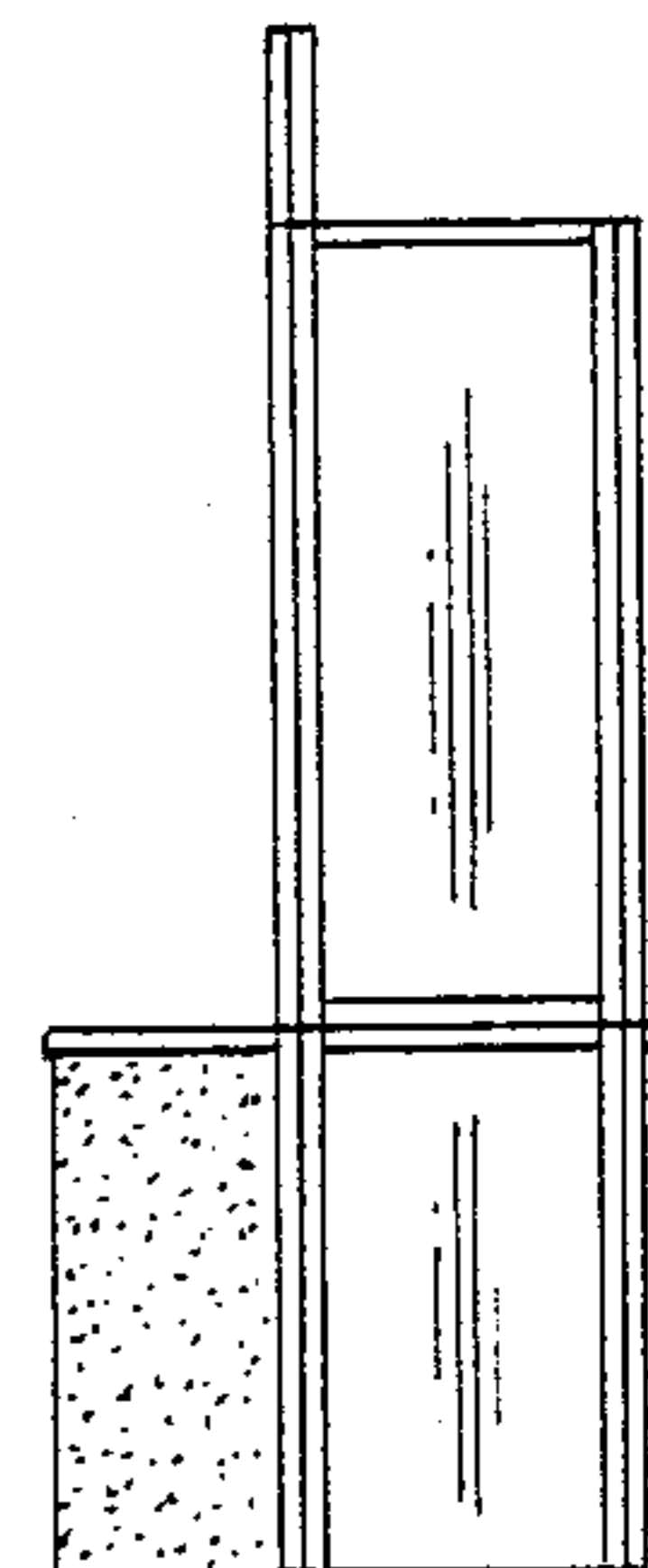


FIG. 4

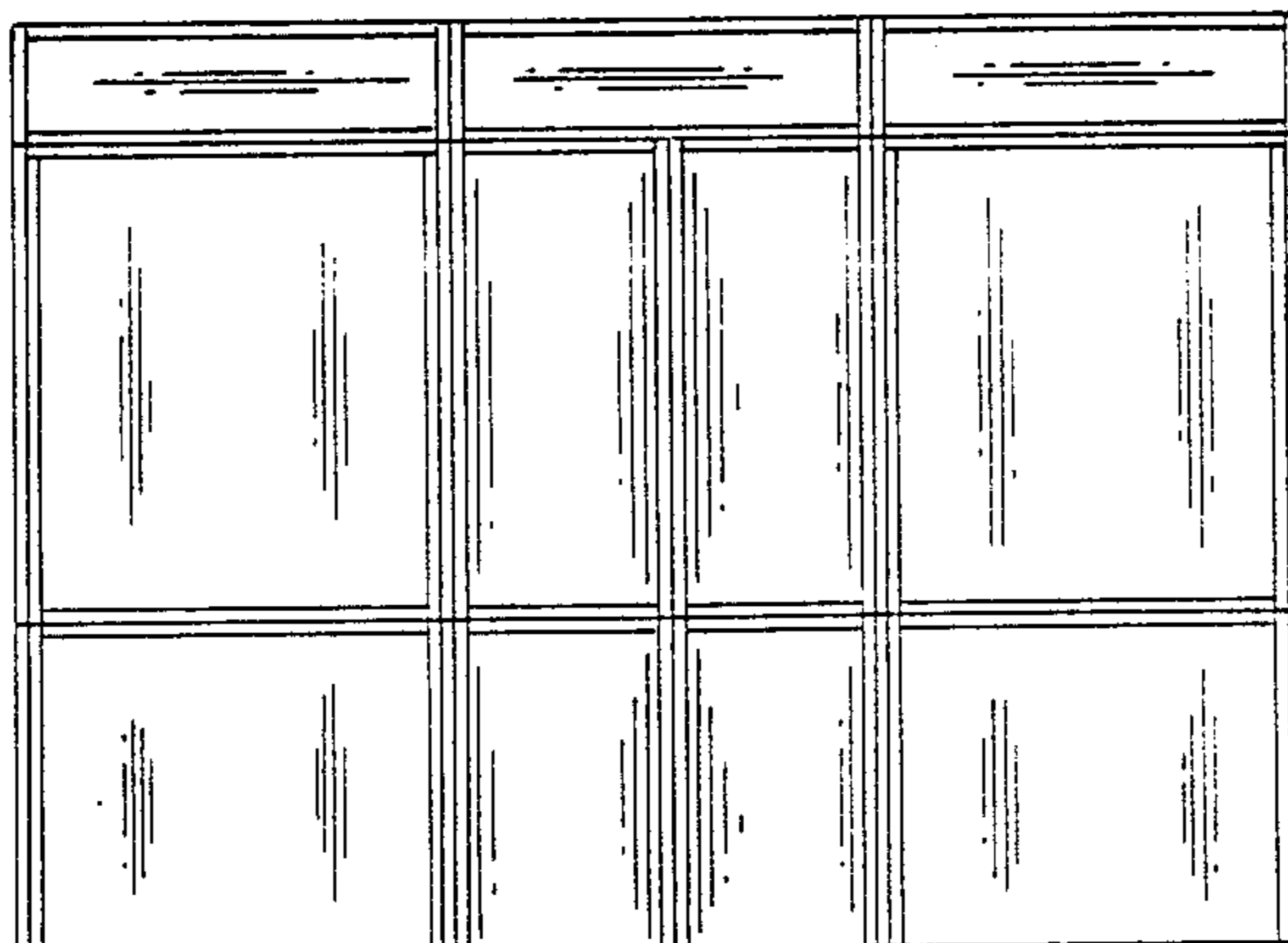


FIG. 5