

[54] CABINET

[75] Inventors: Milton E. Handler, Northbrook; Richard Sylvan, Glenview; Herbert Baisch, Palatine, all of Ill.

[73] Assignee: Hirsh Company, Skokie, Ill.

[**] Term: 14 Years

[21] Appl. No.: 747,969

[22] Filed: Jun. 24, 1985

[52] U.S. Cl. D6/433

[58] Field of Search D6/432, 433; 312/297

[56] References Cited

U.S. PATENT DOCUMENTS

1,326,799 12/1919 Spies 312/297 X

OTHER PUBLICATIONS

Global Computer Supples cat. C45 ©1984, p. 71; Stand-Up Workstation bottom left on page.

Primary Examiner—Carmen H. Vales
Attorney, Agent, or Firm—Dressler, Goldsmith, Shore, Sutker & Milnamow, Ltd.

[57] CLAIM

The ornamental design for a cabinet, substantially as shown and described.

DESCRIPTION

FIG. 1 is a perspective view of a cabinet showing our new design;

FIG. 2 is a right side elevational view thereof, the left side elevational view thereof being identical;

FIG. 3 is a top plan view thereof;

FIG. 4 is a front elevational view thereof; and

FIG. 5 is a rear elevational view thereof.

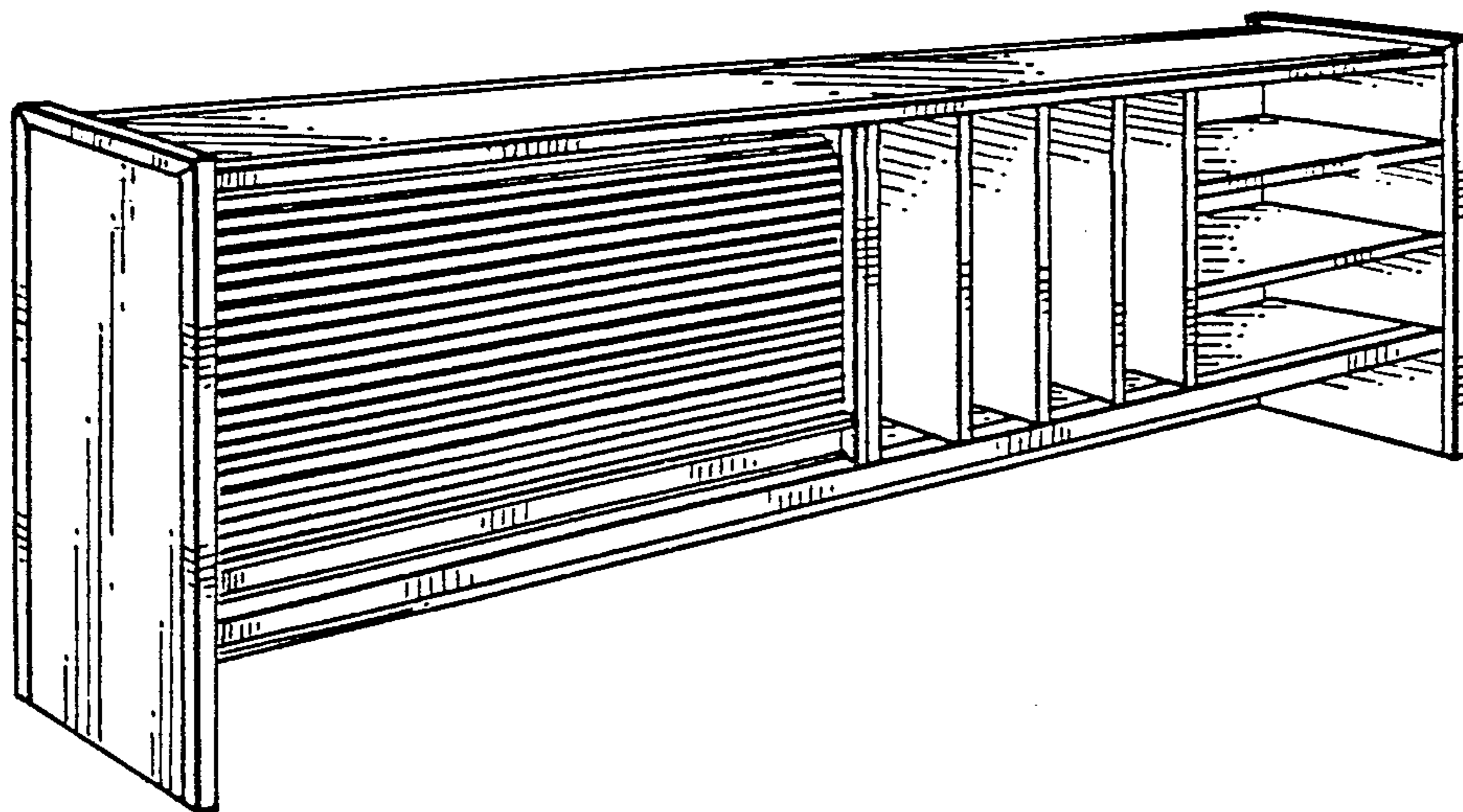


FIG. 1

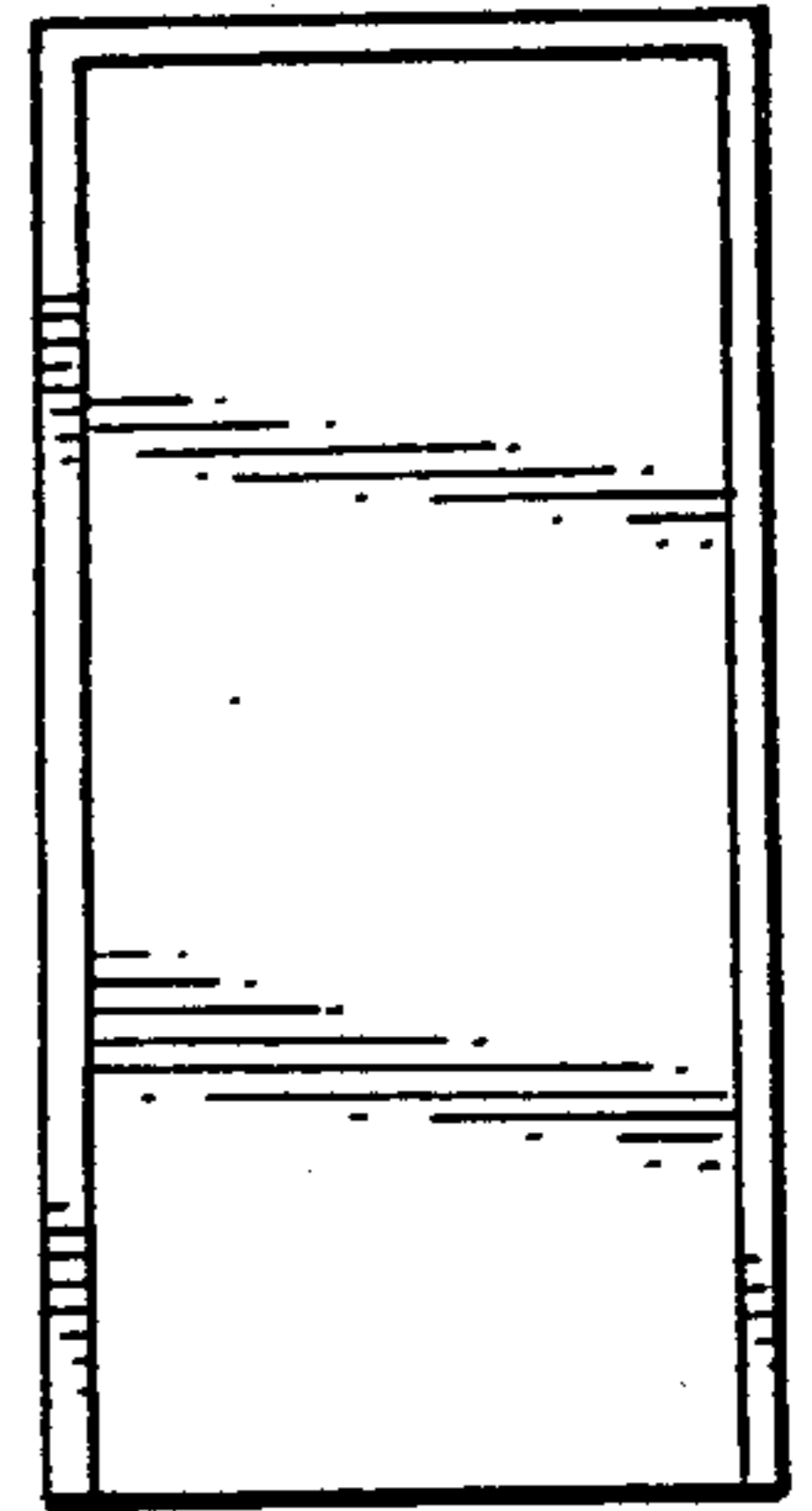
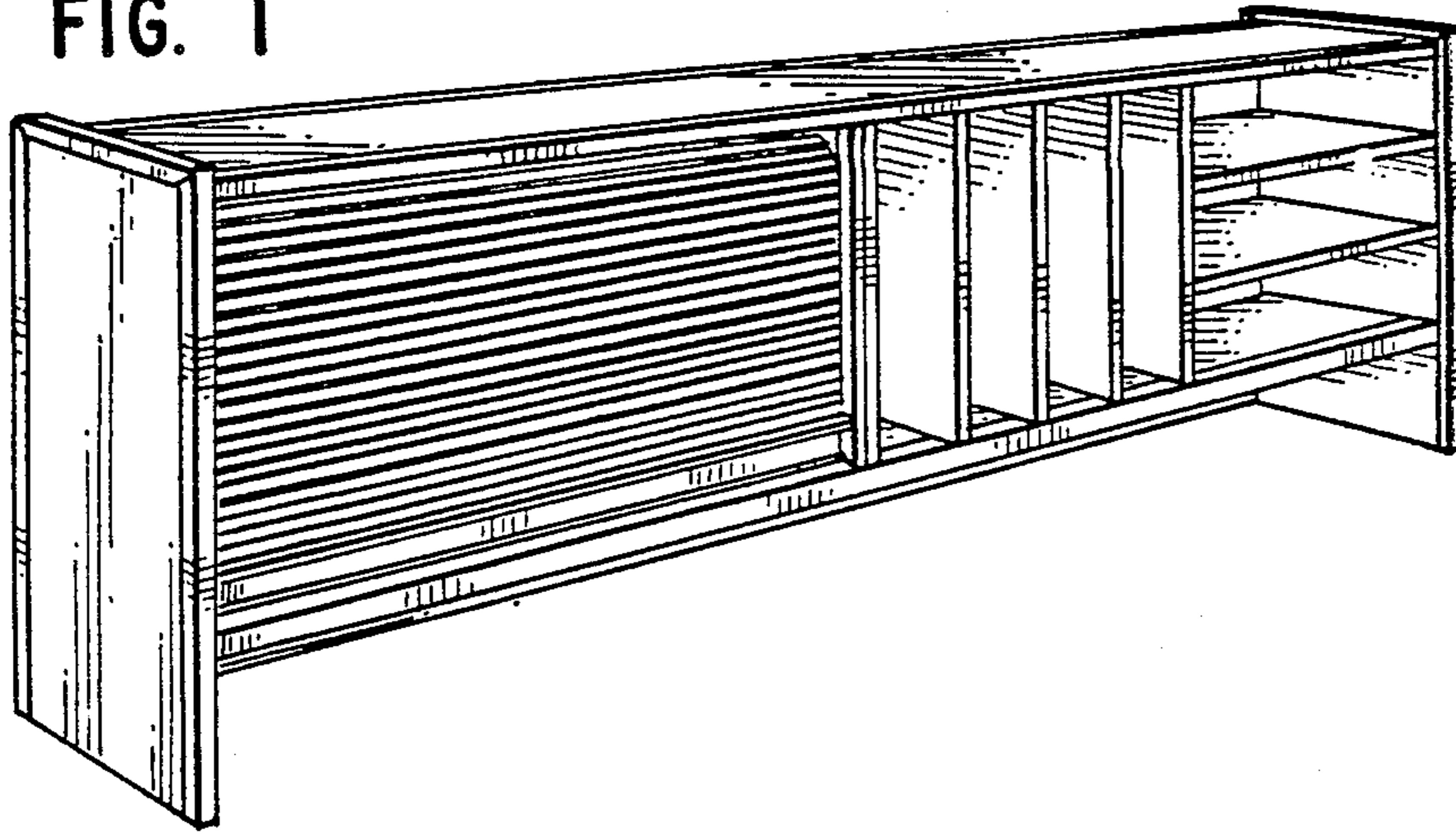


FIG. 2

FIG. 3

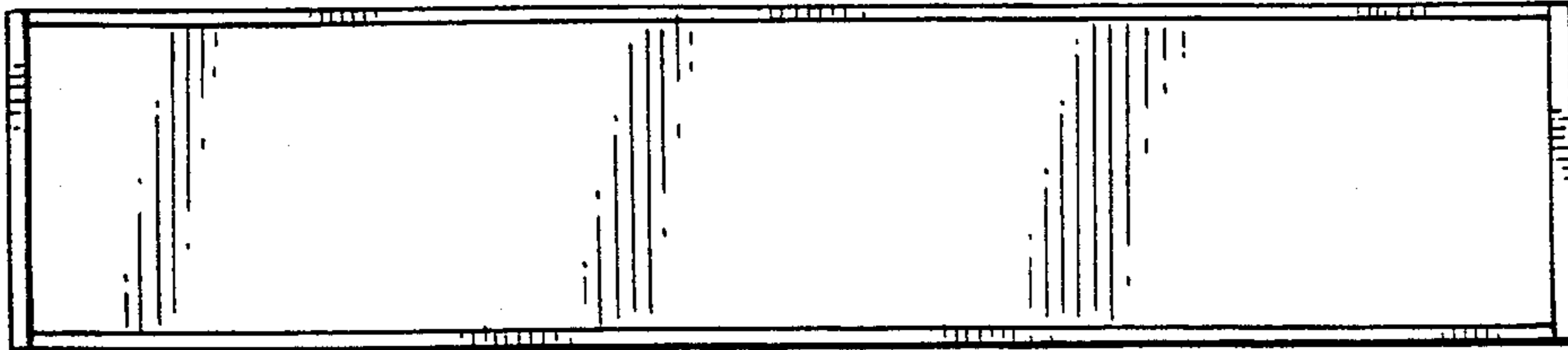


FIG. 4

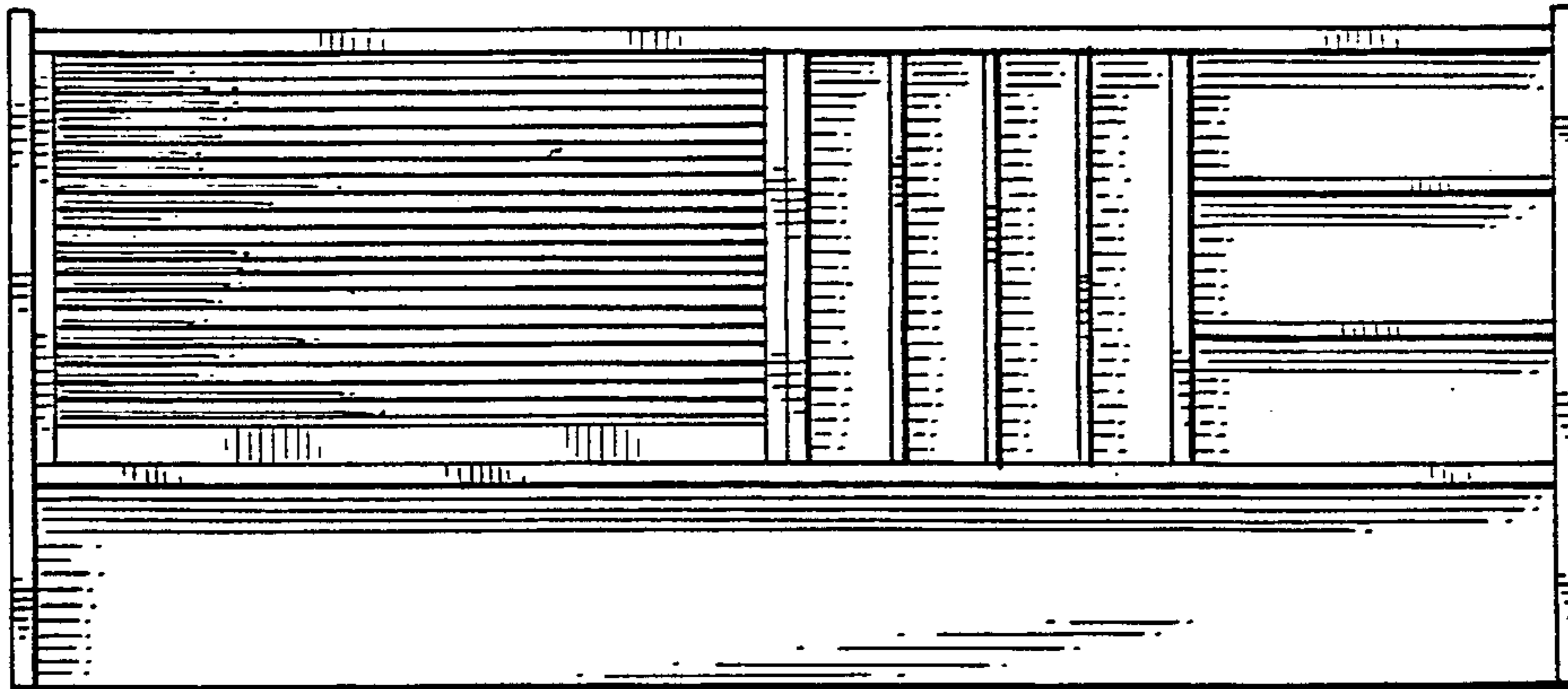


FIG. 5

