

[54] CHAIR

[76] Inventor: Mario Bellini, 11 Corso Venezia, I-16126 Milano, Italy

[**] Term: 14 Years

[21] Appl. No.: 690,688

[22] Filed: Jan. 11, 1985

[30] Foreign Application Priority Data

Jul. 13, 1984 [XH] Hague 74205
 [52] U.S. Cl. D6/366
 [58] Field of Search D6/364, 365, 366, 375, D6/379, 380; 297/296, 298, 300, 301, 302, 308

[56] References Cited

U.S. PATENT DOCUMENTS

D. 267,680 1/1983 Leffler et al. D6/366
 D. 274,675 7/1984 Diffrient D6/366
 D. 285,629 9/1986 Franck et al. D6/366
 4,641,885 2/1987 Bräuning 297/300

OTHER PUBLICATIONS

Interiors, Dec. 1978, p. 98, Chair top center.

Industrial Design, Nov./Dec. 1977, p. 44, Chair right center by Norton.

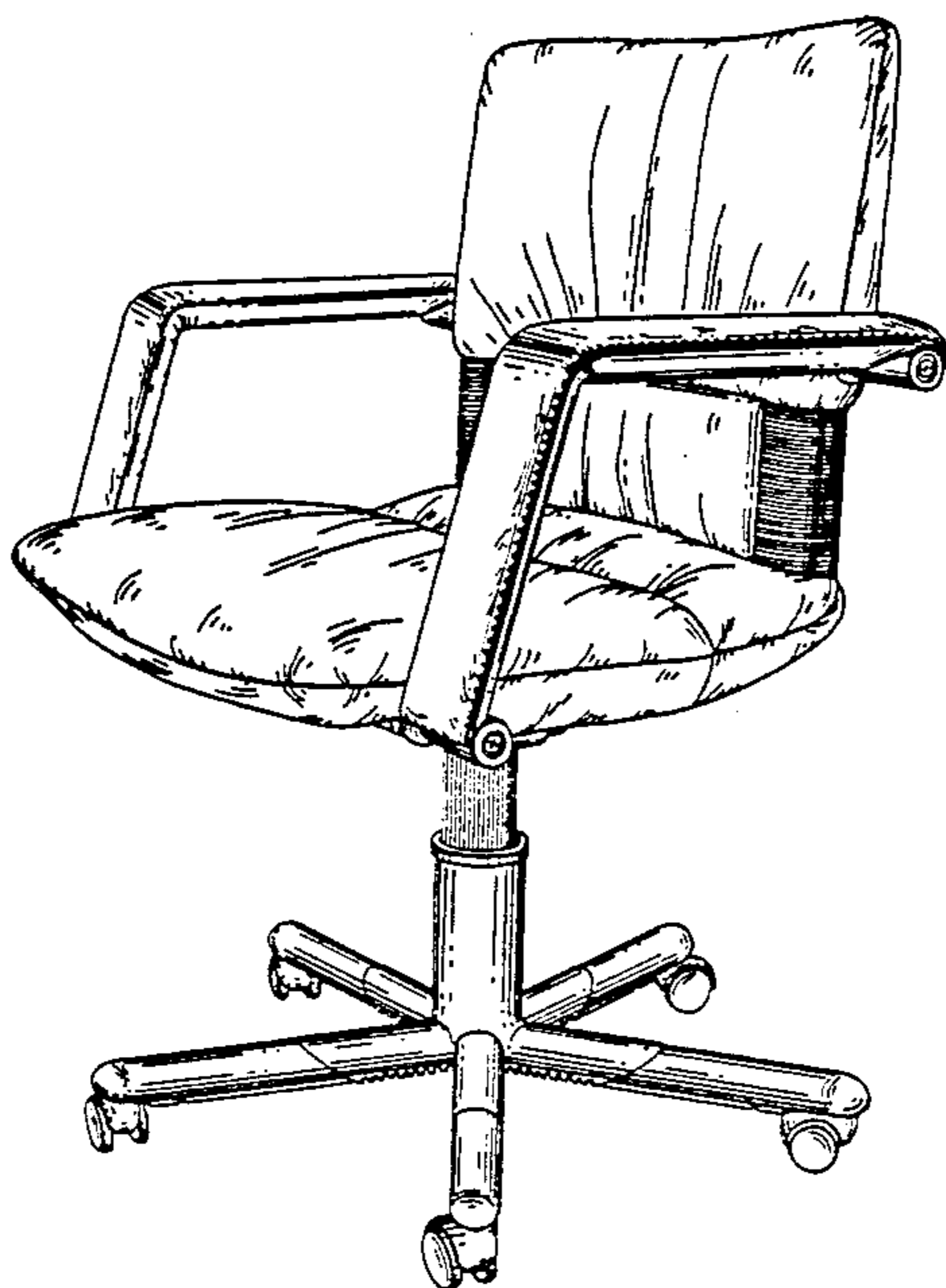
Primary Examiner—Bruce W. Dunkins
Attorney, Agent, or Firm—Ladas & Parry

[57] CLAIM

The ornamental design for a chair, as shown and described.

DESCRIPTION

FIG. 1 is a side perspective view of a chair showing my new design;
 FIG. 2 is a front perspective view;
 FIG. 3 is a second side perspective view;
 FIG. 4 is a rear perspective view;
 FIG. 5 is an enlarged fragmentary side perspective view;
 FIG. 6 is an enlarged fragmentary front perspective view;
 FIG. 7 is an enlarged fragmentary rear perspective view;
 FIG. 8 is an enlarged fragmentary view showing the junction of the armrest and backrest in greater detail; and
 FIG. 9 is an enlarged fragmentary bottom perspective view thereof.



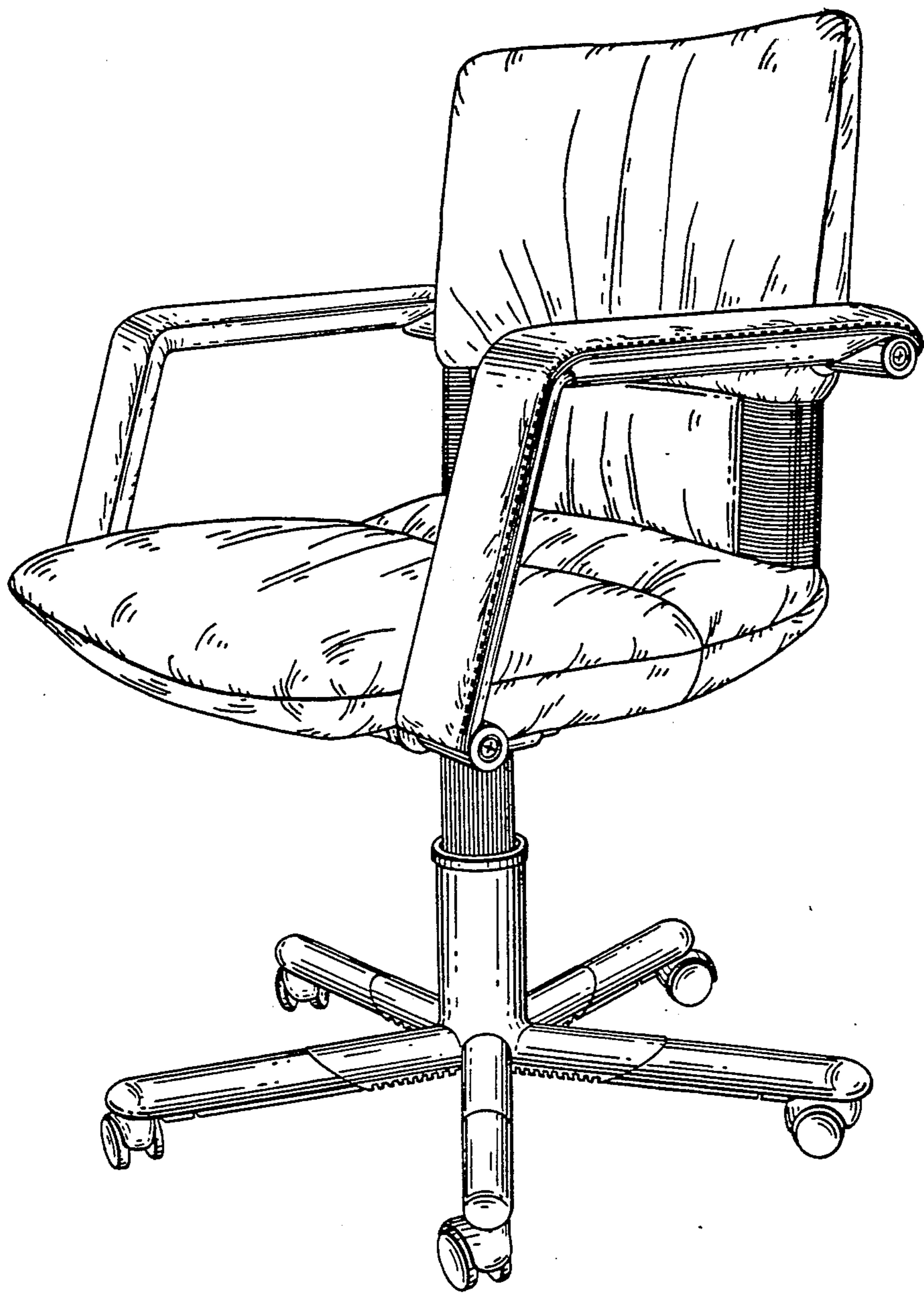


Fig. 1

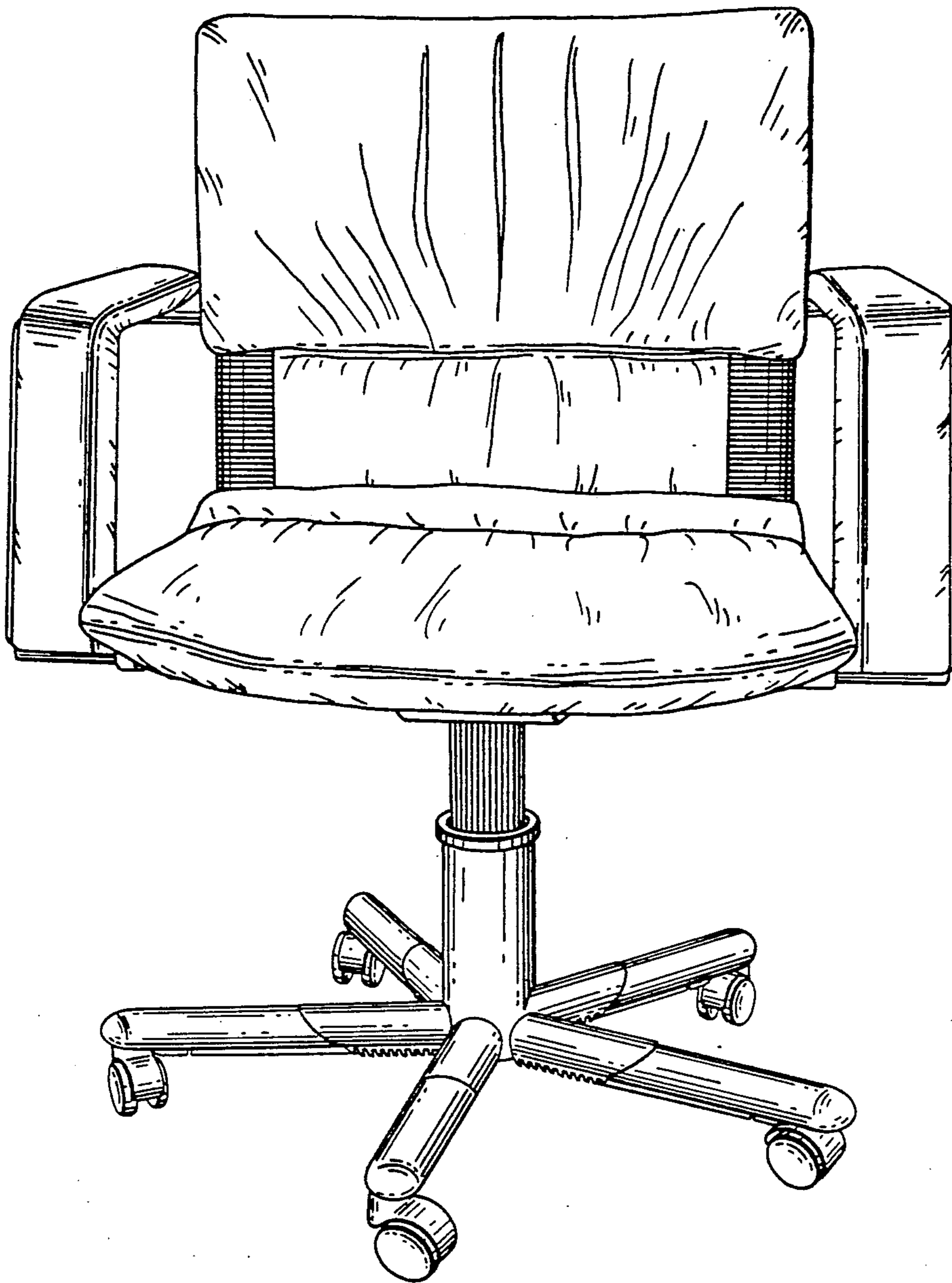


Fig. 2

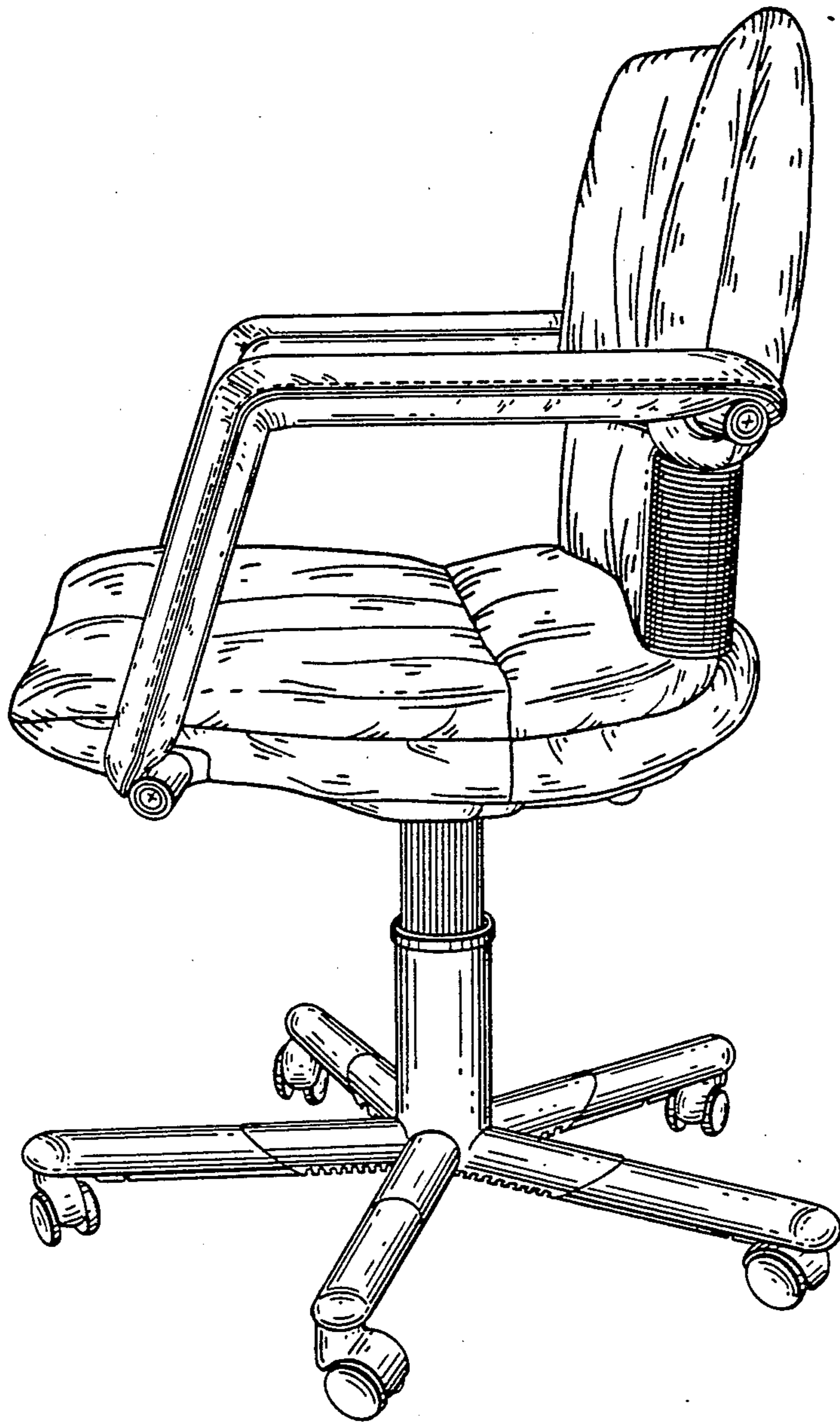


Fig. 3

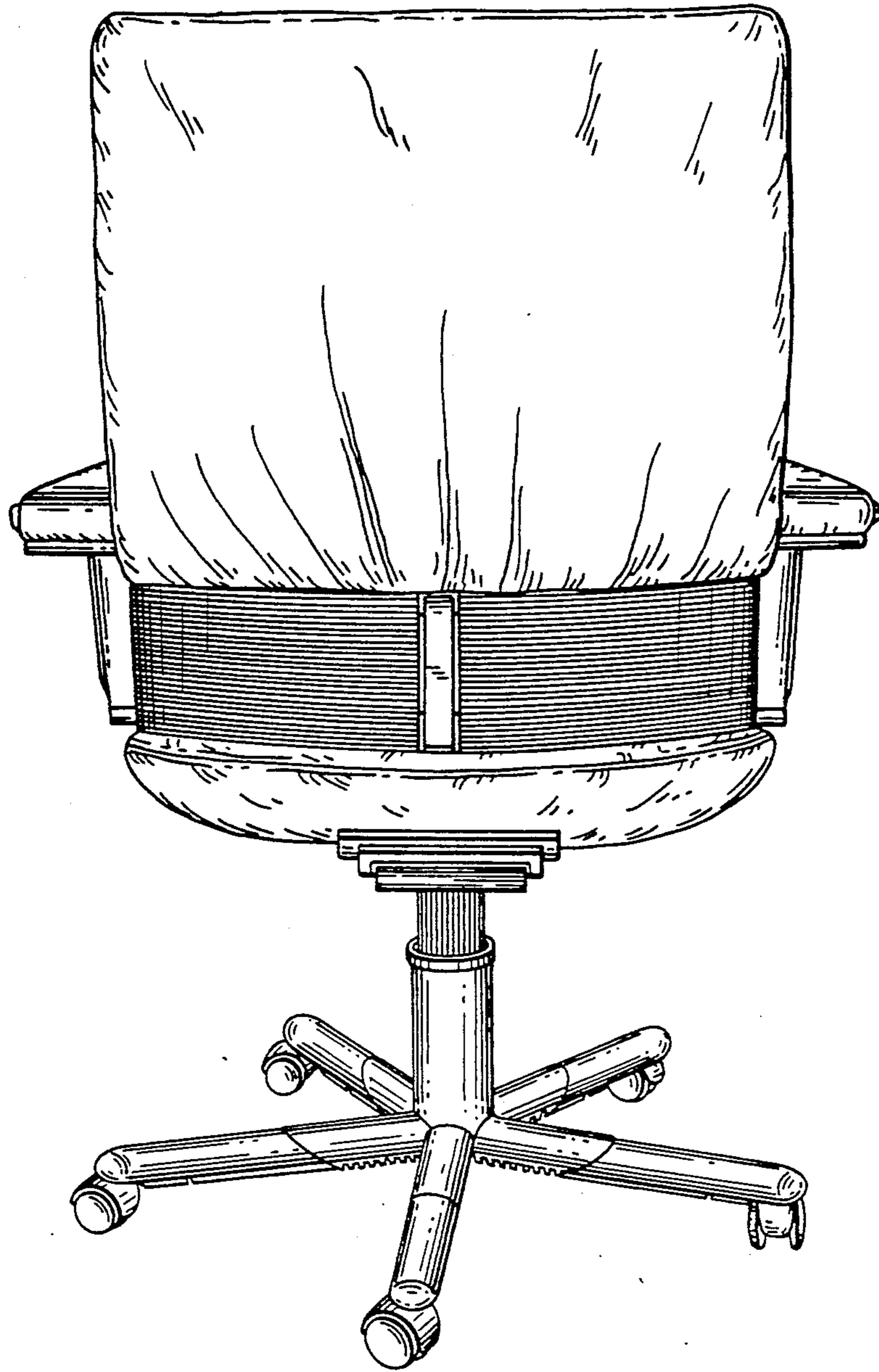


Fig. 4

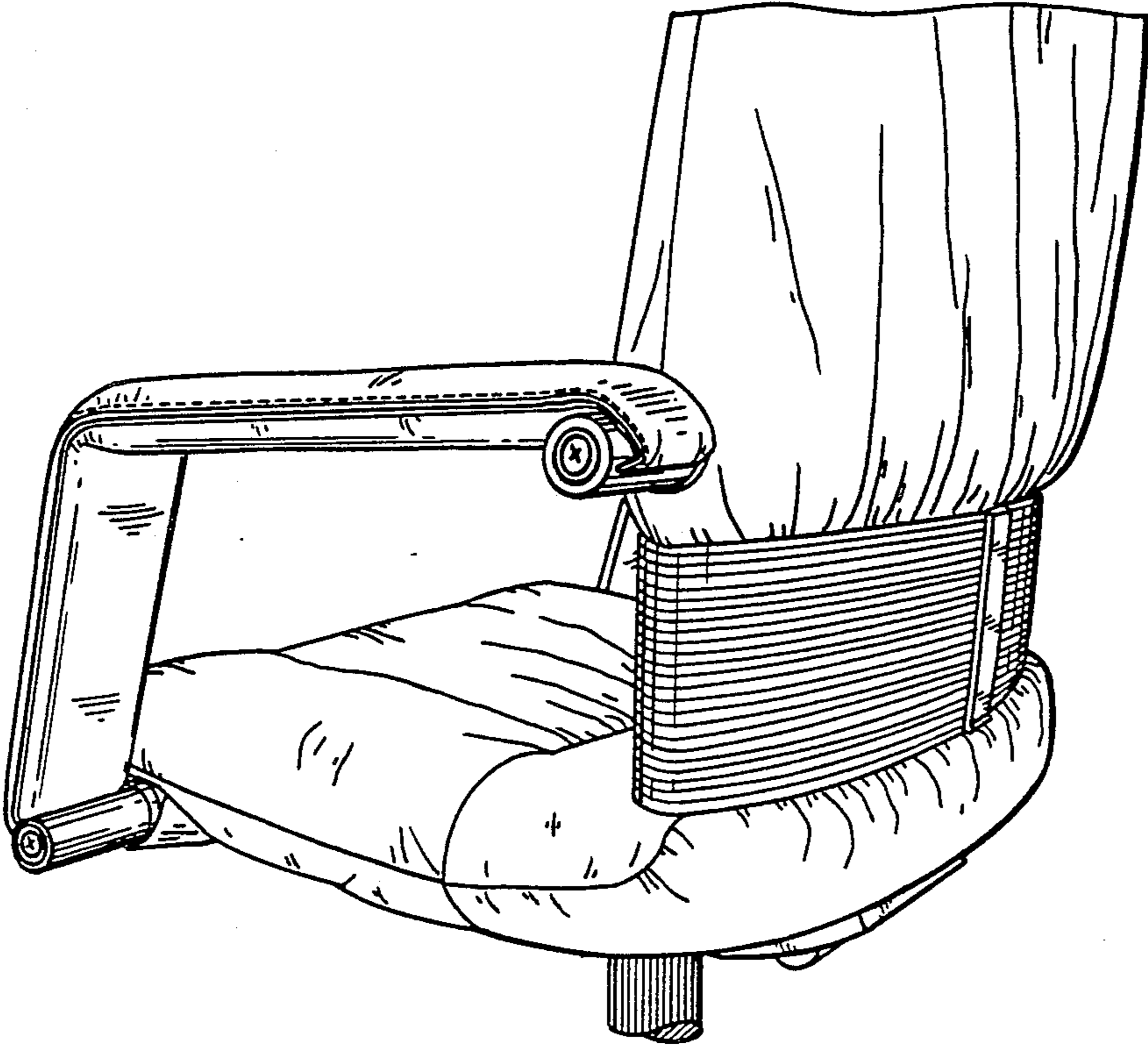


Fig. 5

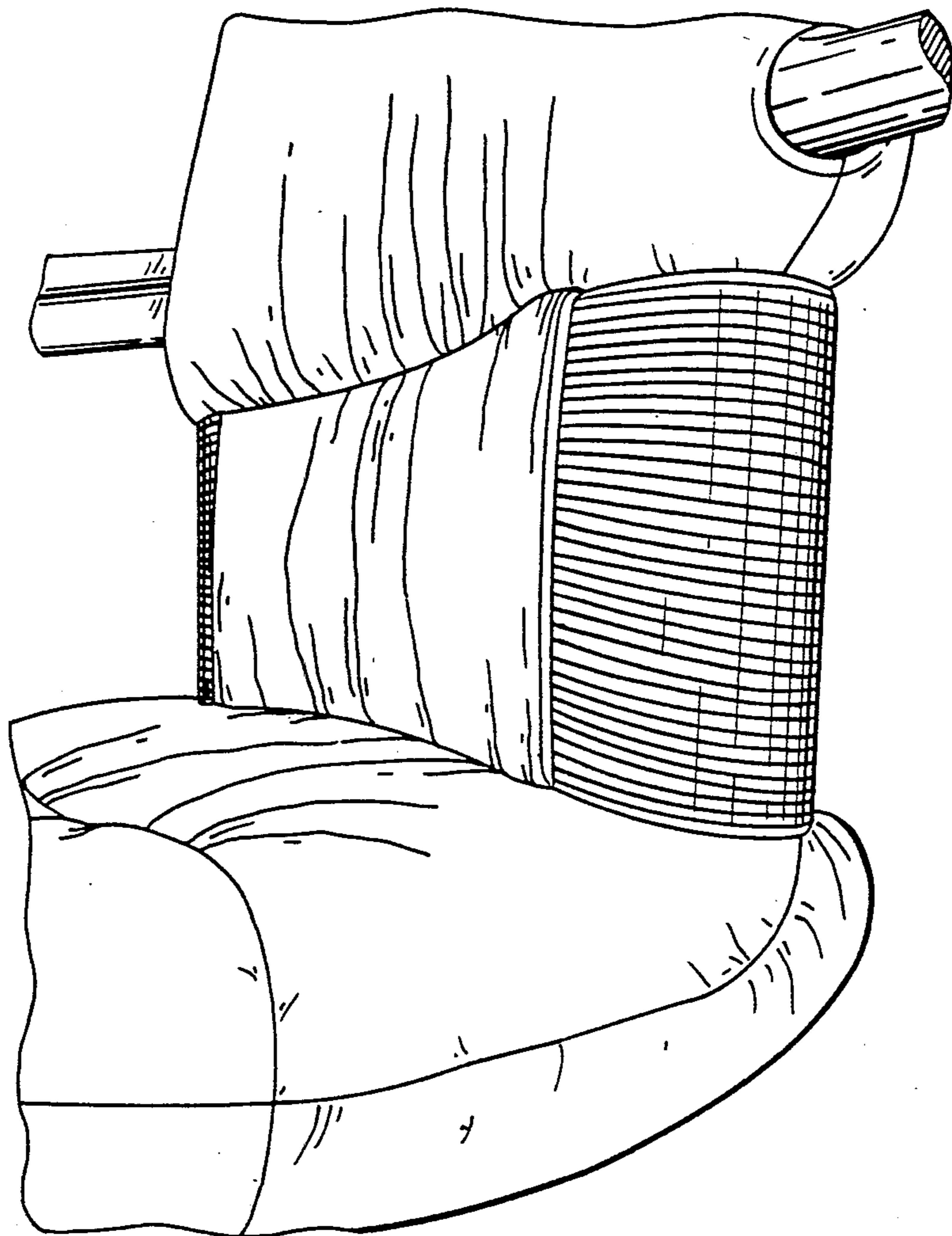


Fig. 6

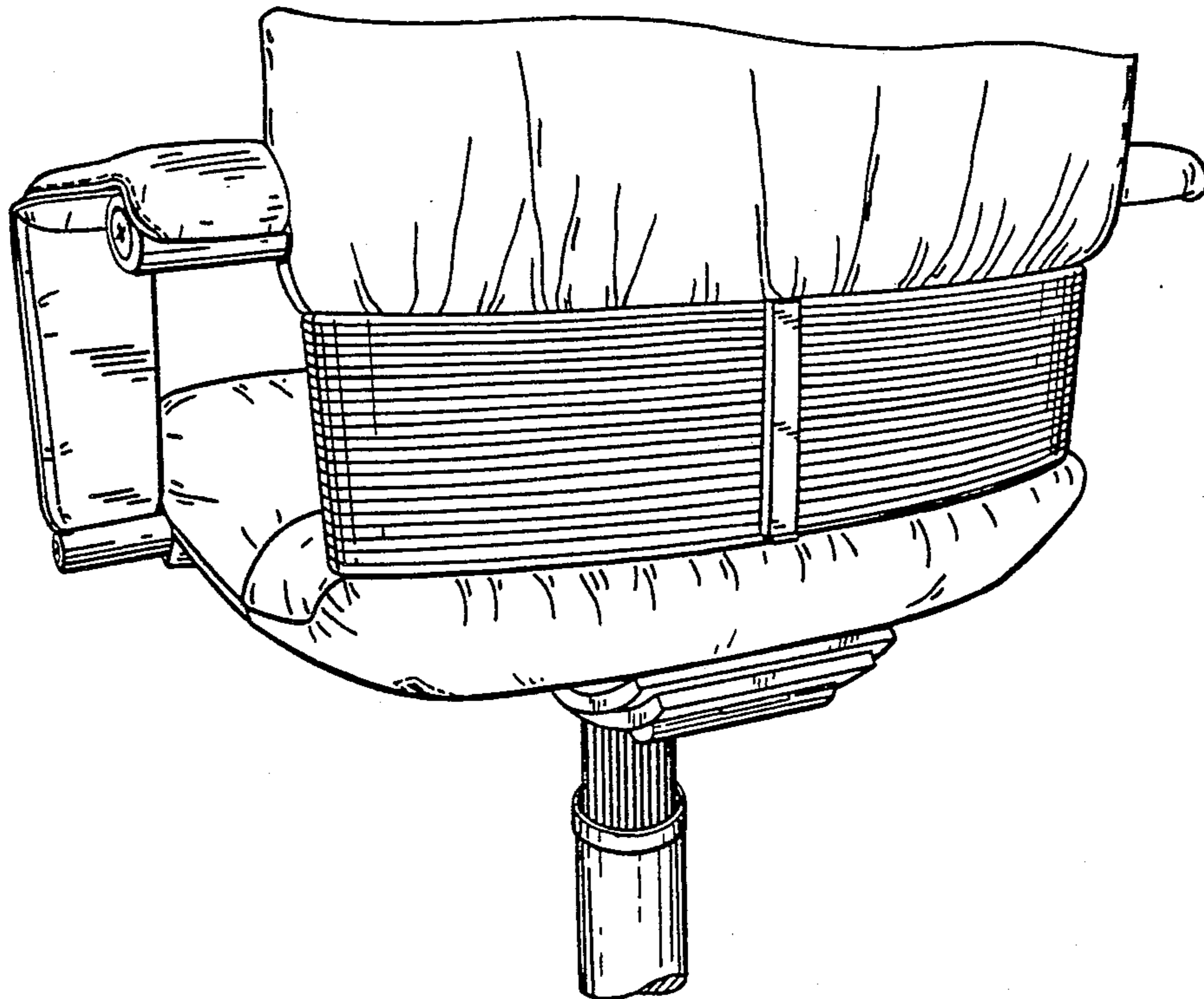


Fig. 7

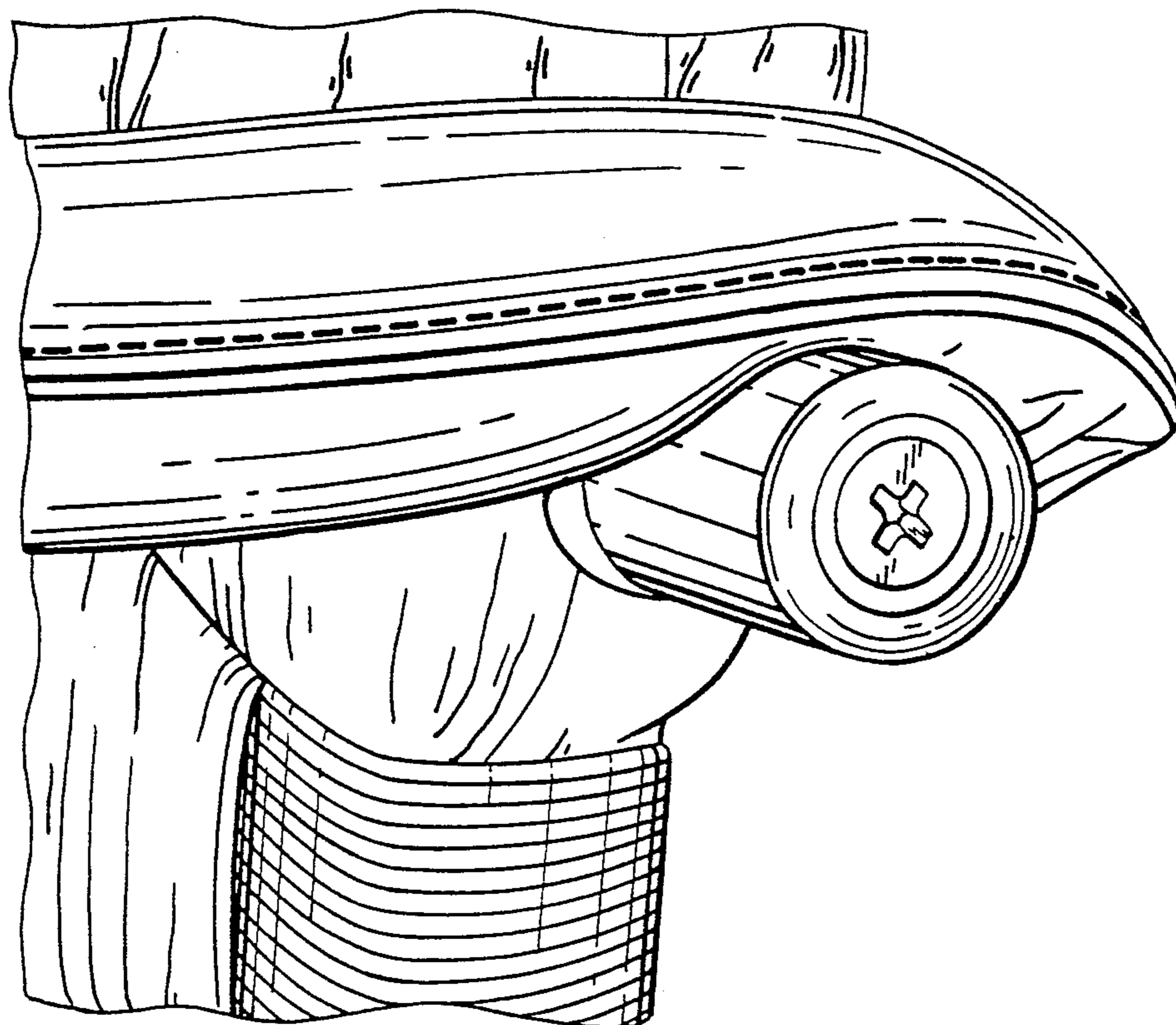


Fig. 8

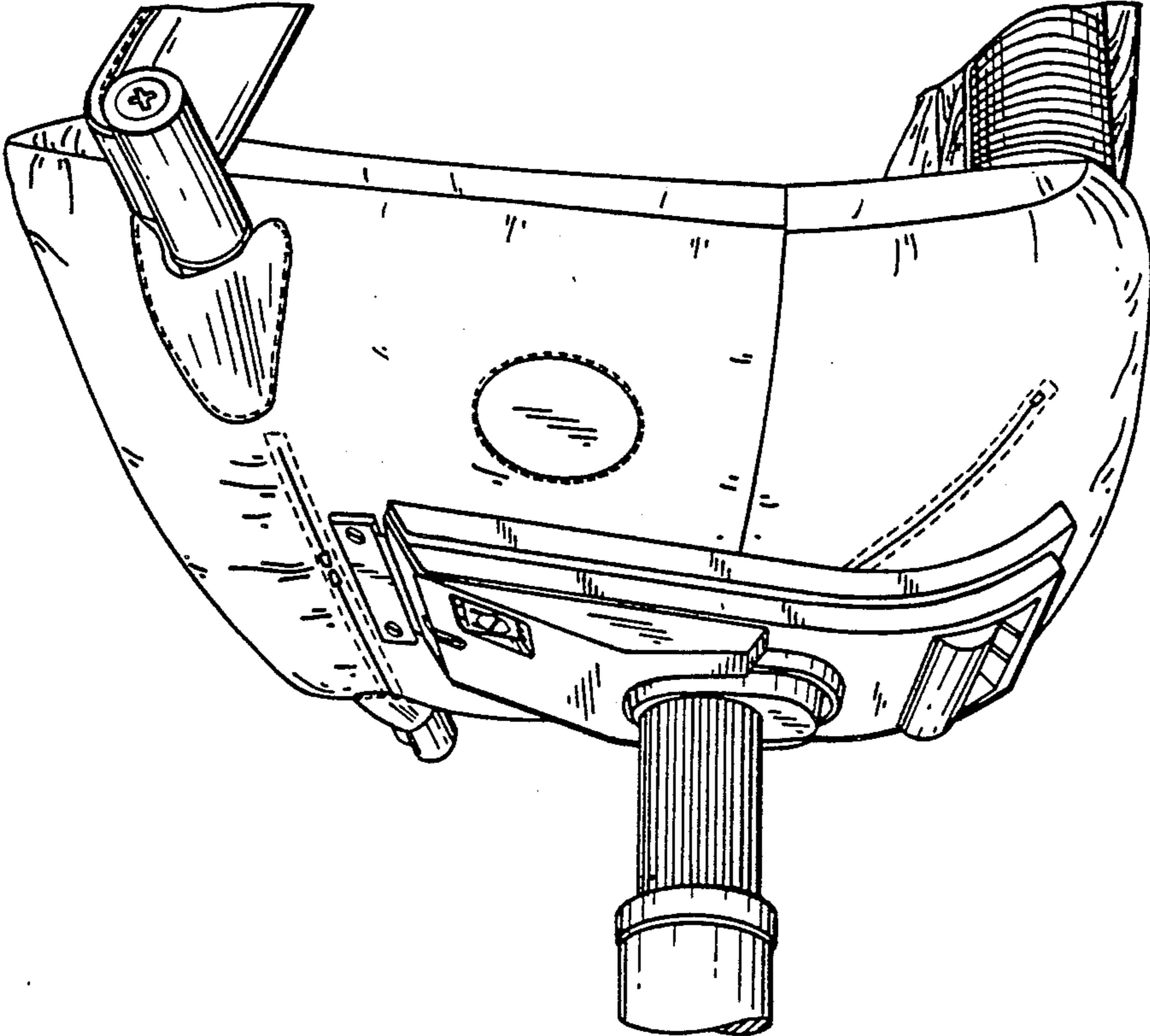


Fig. 9