

[54] ADJUSTABLE CHAISE LOUNGE

[76] Inventor: Moses R. Schultz, R.D. Box 52, Barto, Pa. 19504

[**] Term: 14 Years

[21] Appl. No.: 836,175

[22] Filed: Feb. 26, 1986

Related U.S. Application Data

[62] Division of Ser. No. 510,872, Jul. 5, 1983.

[52] U.S. Cl. D6/361

[58] Field of Search D6/334, 361, 367, 368, D6/370, 371, 372

[56] References Cited

U.S. PATENT DOCUMENTS

D. 194,461	1/1963	Schultz	D6/361
D. 211,338	6/1968	Schultz	D6/361
D. 226,061	1/1973	Kellman	D6/361
D. 227,204	6/1973	Grierson	D6/361
2,567,626	9/1951	Trouslot, Jr.	D6/361 X
4,066,293	1/1978	Meier	D6/361 X

OTHER PUBLICATIONS

Interiors, May 1982, p. 106, Chaise top left, Brown Jordan adv.

Primary Examiner—Bruce W. Dunkins
Attorney, Agent, or Firm—Thomas A. O'Rourke

[57] CLAIM

The ornamental design for an adjustable chaise lounge, as shown and described.

DESCRIPTION

FIG. 1 is a perspective view from the front and side and looking downwardly of an adjustable chaise lounge embodying my design.

FIG. 2 is a side view, slightly in perspective, of the adjustable chaise lounge of FIG. 1.

FIG. 3 is a front view, slightly in perspective, of the adjustable chaise lounge of FIG. 1, showing the rear portion thereof in raised position.

FIG. 4 is a front view, slightly in perspective, of the adjustable chaise lounge of FIG. 1, showing the rear portion thereof in a lowered position.

FIG. 5 is a rear view, slightly in perspective, of the adjustable chaise lounge of FIG. 1.

FIG. 6 is a top plan view; and

FIG. 7 is a bottom plan view thereof.

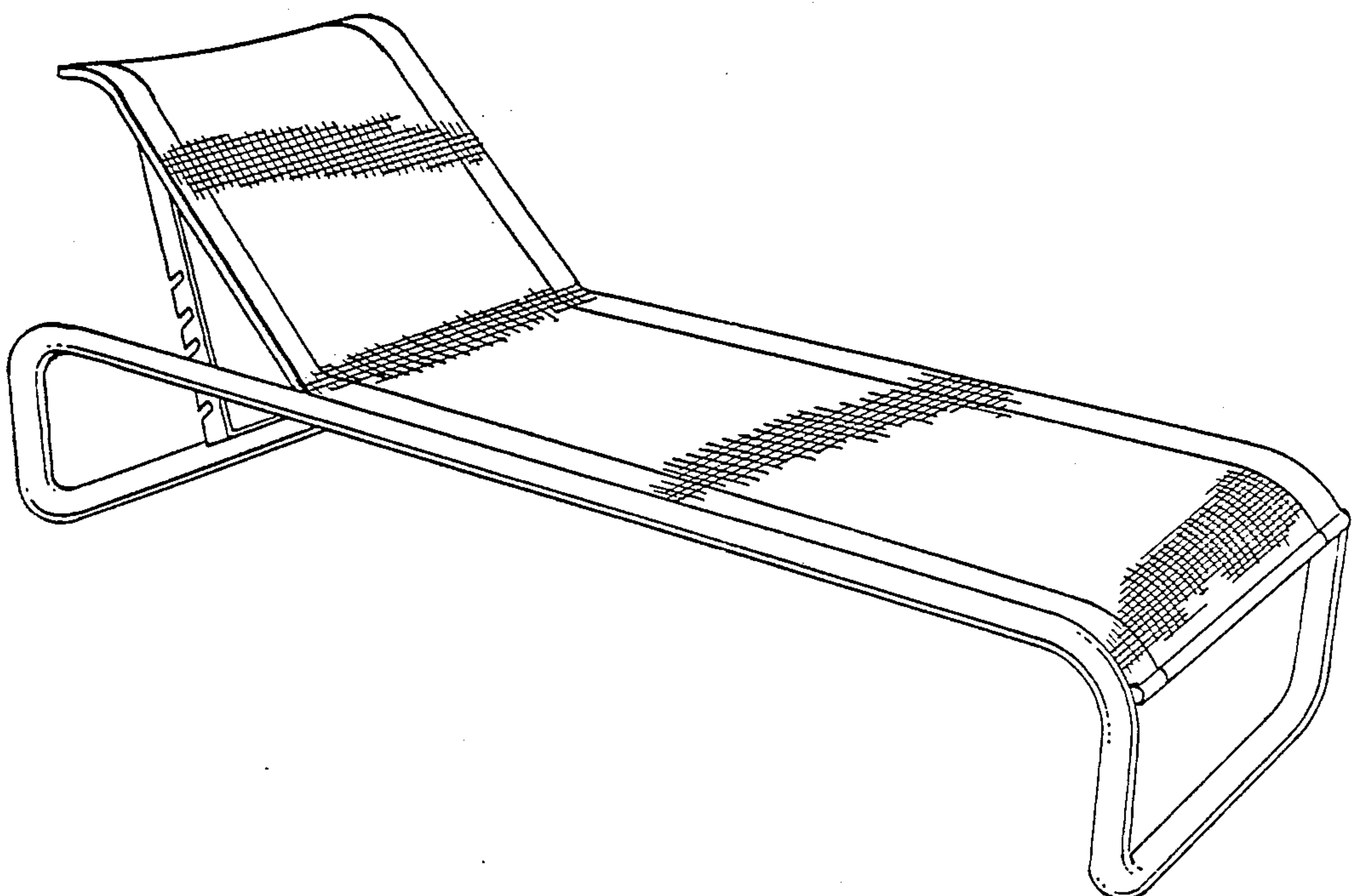


FIG. 1.

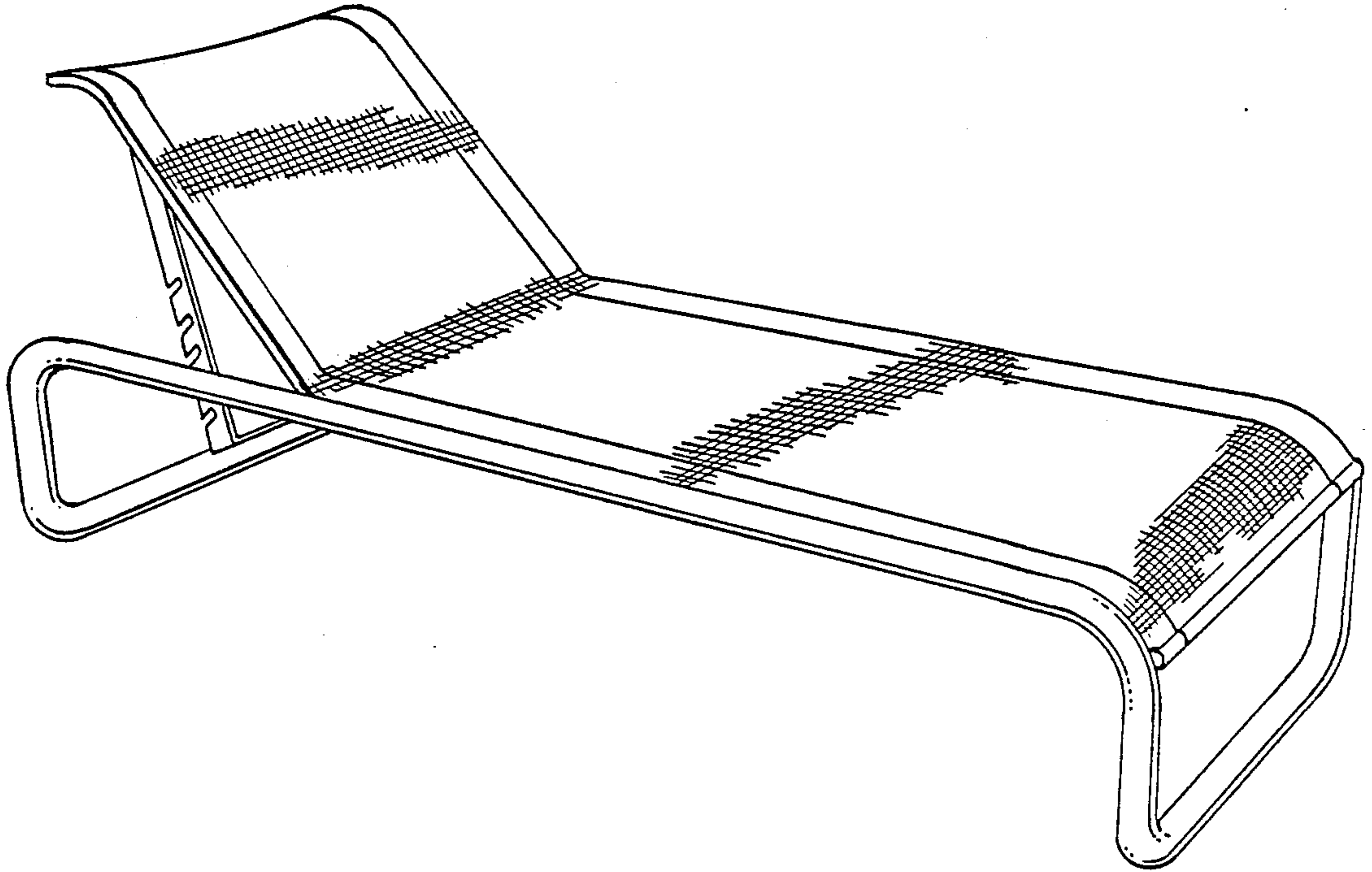


FIG. 2.

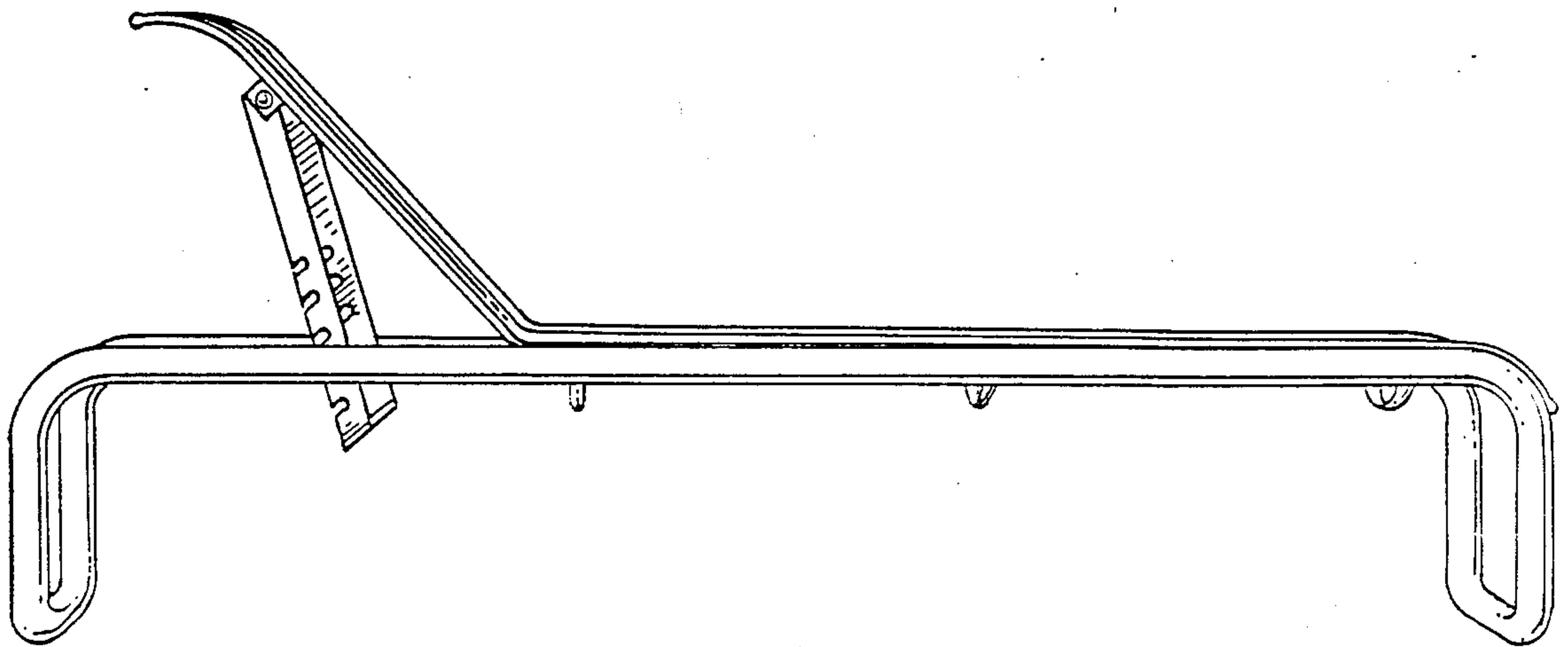


FIG. 3.

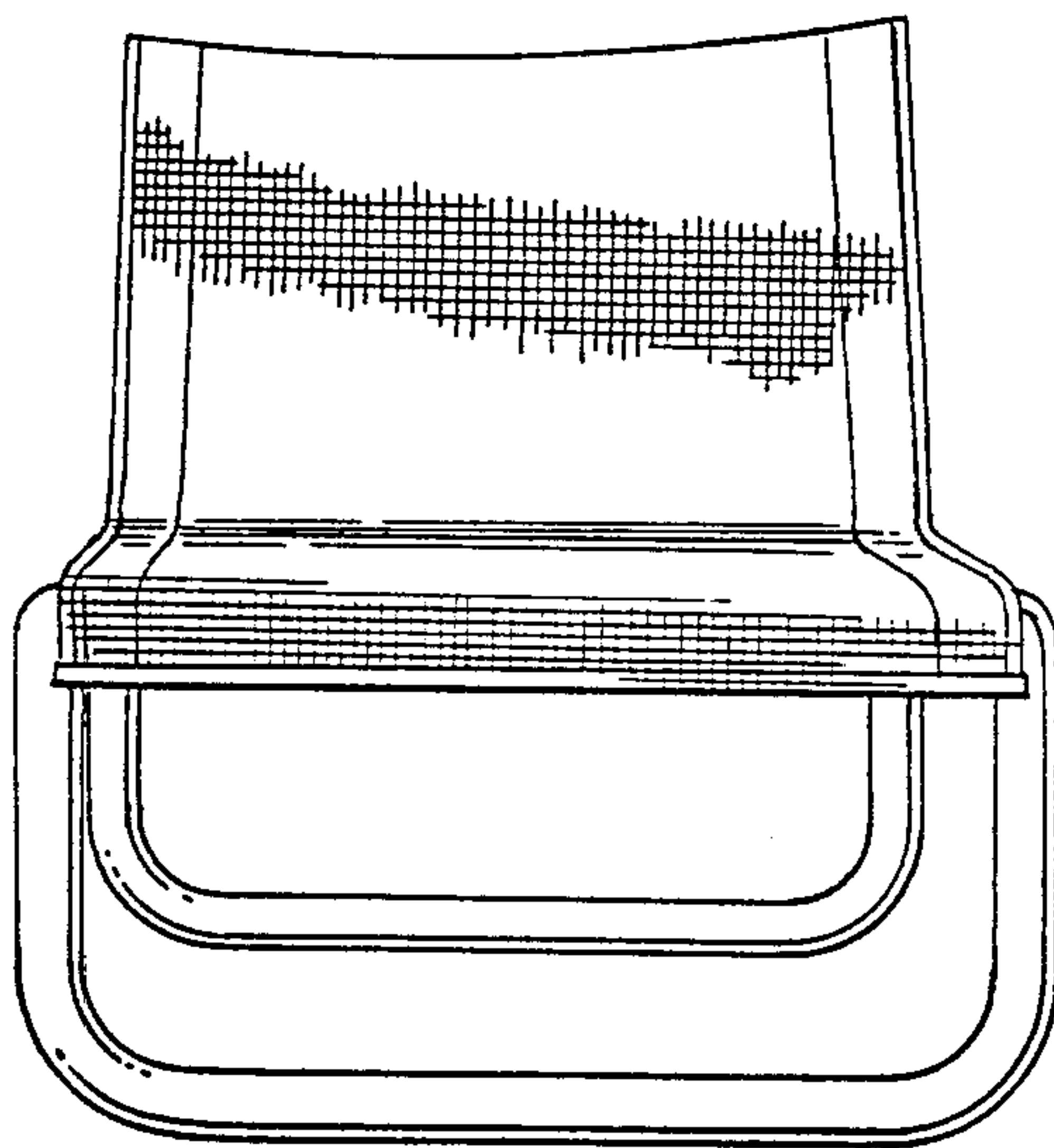


FIG. 4.

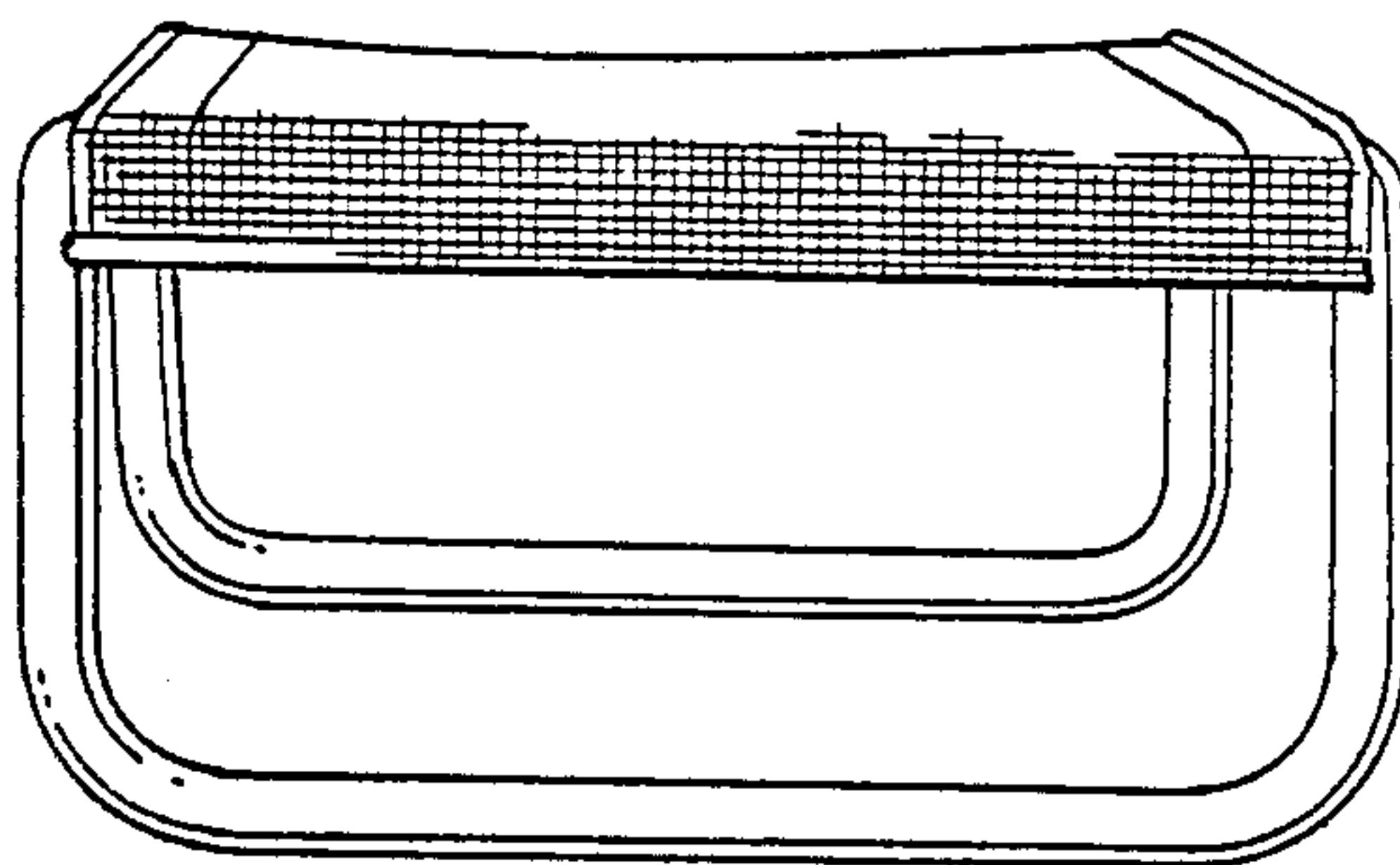


FIG. 5.

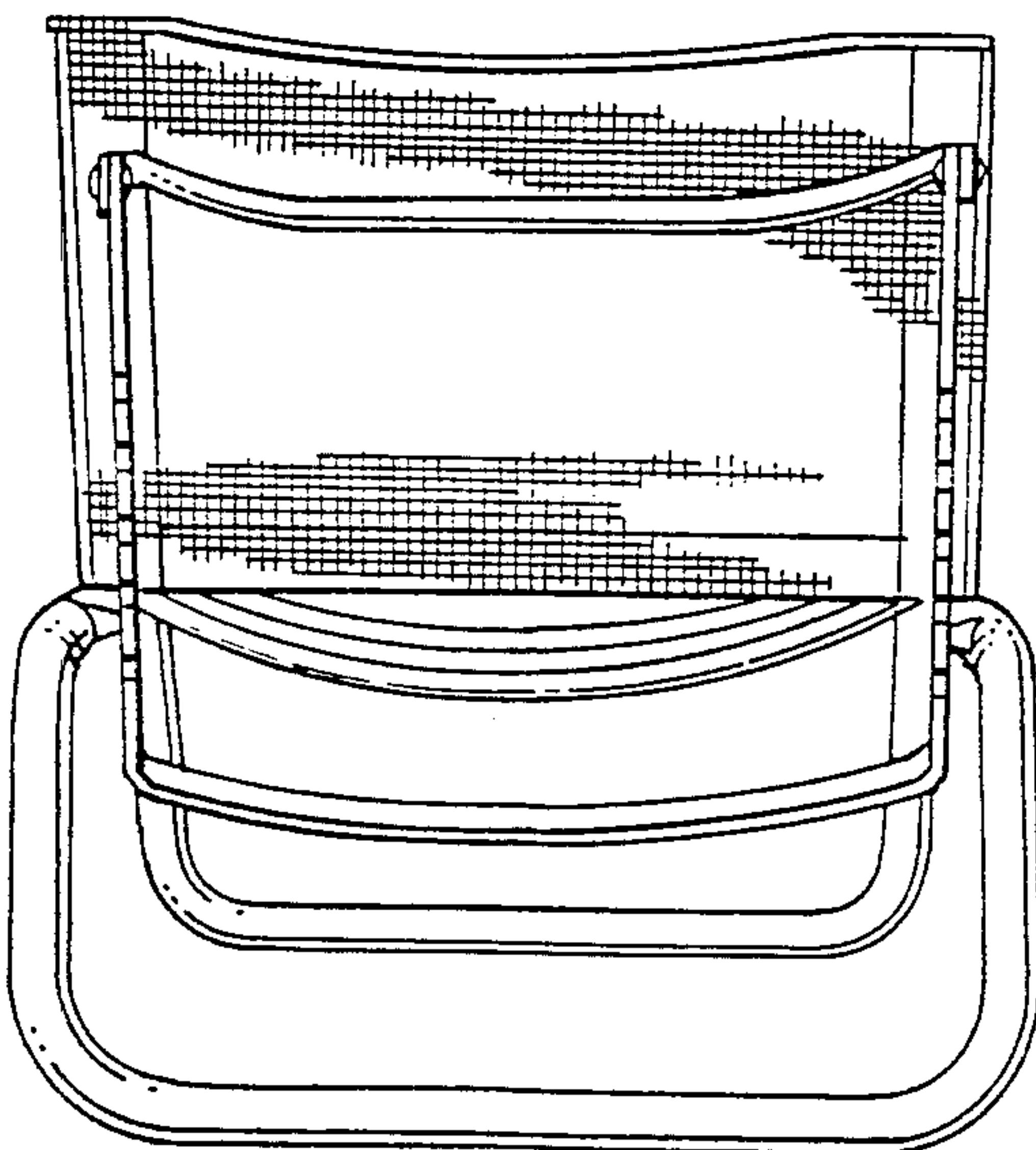


FIG. 6.

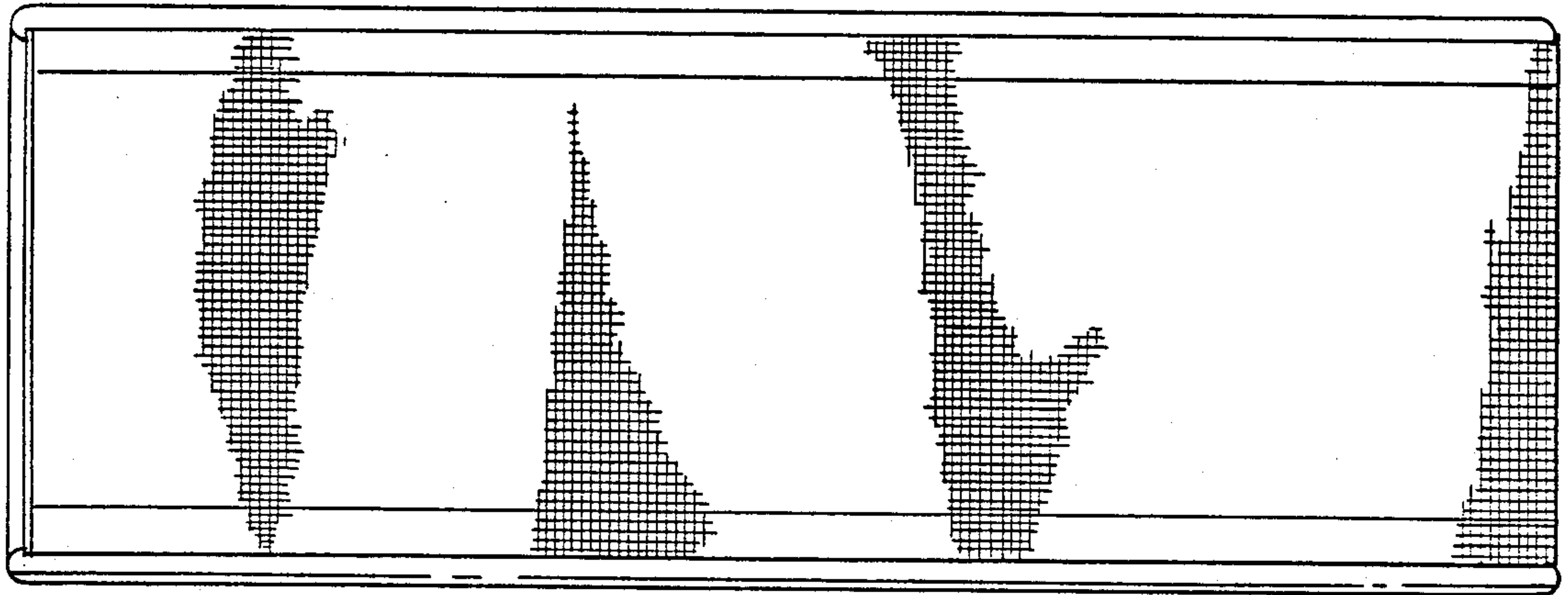


FIG. 7.

